

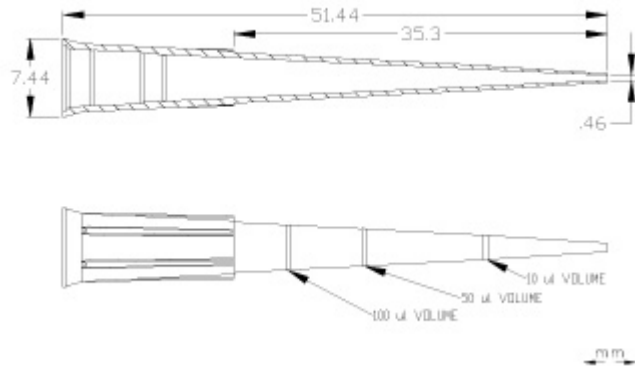


Product Data Sheet

SLS5042

SLS Select Filter Tips

200 µl (1-200 µl) Standardisation



Catalog #	Description
SLS5042	Natural, Polypropylene, Sterile, Low Binding

Packaging Type	Packaging Details
Racked Tips	Sterile 96 Tips/Rack, 10 Racks/Pack, 5 Packs/Case, Cell Rack

Attributes



Volume Range: 1-200 µl
Grad Lines: 10, 50, 100 µl

Certified Human DNA Free
 Certified PCR Inhibitor Free
 Certified Pyrogen Free