

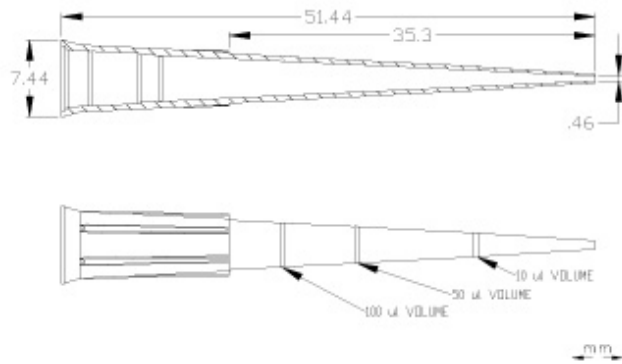


Product Data Sheet

SLS5040

SLS Select Filter Tips

200 μ l (1-200 μ l) Standardisation



Catalog #	Description
SLS5040	Natural, Polypropylene, Low Binding

Packaging Type	Packaging Details
Racked Tips	Non-Sterile, 96 Tips/Rack, 10 Racks/Pack, 5 Packs/Case, Cell Rack

Attributes



Volume Range: 1-200 μ l
Grad Lines: 10, 50, 100 μ l

Certified Human DNA Free
Certified PCR Inhibitor Free
Certified Pyrogen Free