

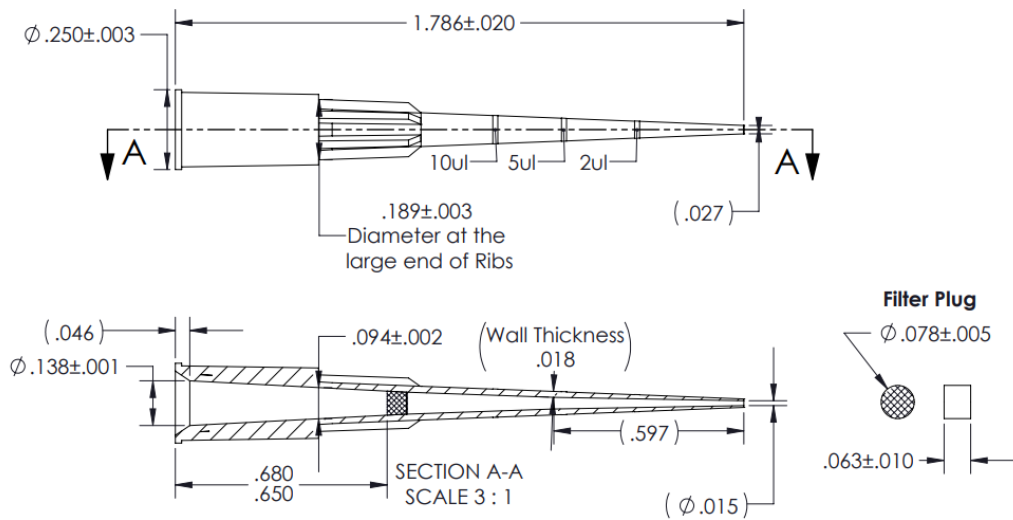


Product Data Sheet

SLS5002

SLS Select Filter Tips

10 µl (0.1 - 10 µl) LongReach Barrier



Catalog #	Description
SLS5002	Natural, Polypropylene, Low Binding, Sterile

Packaging Type	Packaging Details
Racked Tips	Sterile, 96 Tips/Rack, 10 Racks/Pack, 5 Packs/Case, HNGRack

Attributes



Material: Polypropylene
Volume Range: 0.1-10 µl
Grad Lines: 2, 5, 10 µl

Certified RNase/DNase Free
 Certified Human DNA Free
 Certified PCR Inhibitor Free
 Certified Pyrogen Free