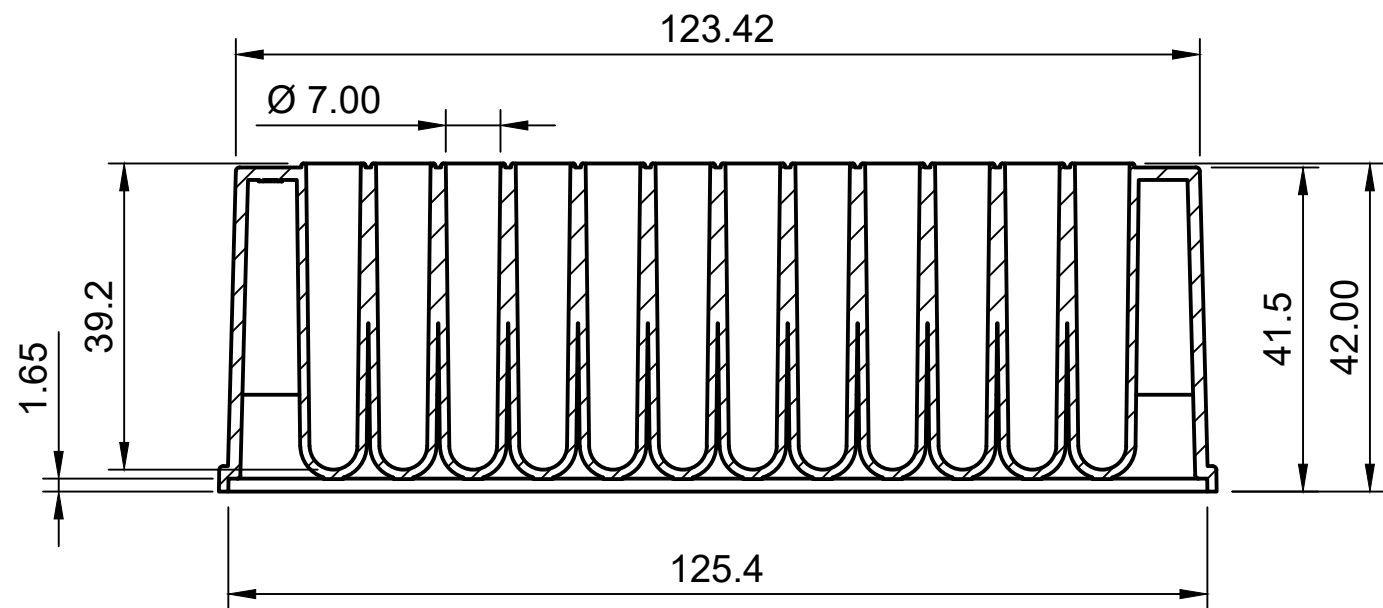


Section B-B



Section A-A

**CALCULATED WEIGHT OF MOULDING = 133.2GRAMS**  
**WELL VOLUME 1.28ml**

THESE DRAWINGS AND SPECIFICATIONS ARE THE PROPERTY OF IRISH LIFE SCIENCES. AND SHALL NOT BE REPRODUCED OR USED AS A BASIS FOR MANUFACTURE OF ANY APPARATUS OR DEVICE WITHOUT PERMISSION OF IRISH LIFE SCIENCES

PART NAME:  
**SLS Select Storage Plates 1.0ml 96 round well U bottom - Rimmed (Medical Grade polymer)**

PART NUMBER:  
**SLS1206**