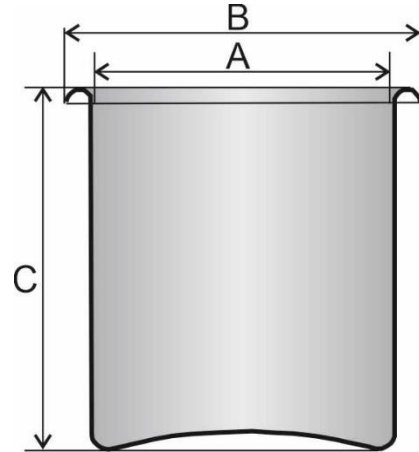


1. Part Number: A736-2000

2. Photograph:



3. Product Information:

Description:	Stainless Beaker 2000ml
Method of Construction:	Crevice free, all welds ground and polished
Material of Construction:	316L Stainless Steel
Surface Finish:	Better than 0.5 microns Ra
Nominal Volume:	2000ml
Dimensions:	
A - Internal Diameter:	140mm
B - Nominal Overall Diameter:	155mm
C - Nominal Height:	155mm
Wall Thickness	1.2mm
Nominal Weight:	780g
BSE/TSE statement:	All polishing compounds used in the manufacture of this product are free of animal products
Recommended Storage Conditions:	Dry and ambient temperature

4. Approval:

Signed:



Name: Kuldeep Flora

Position: Quality Manager

Date: 30-Jun-21