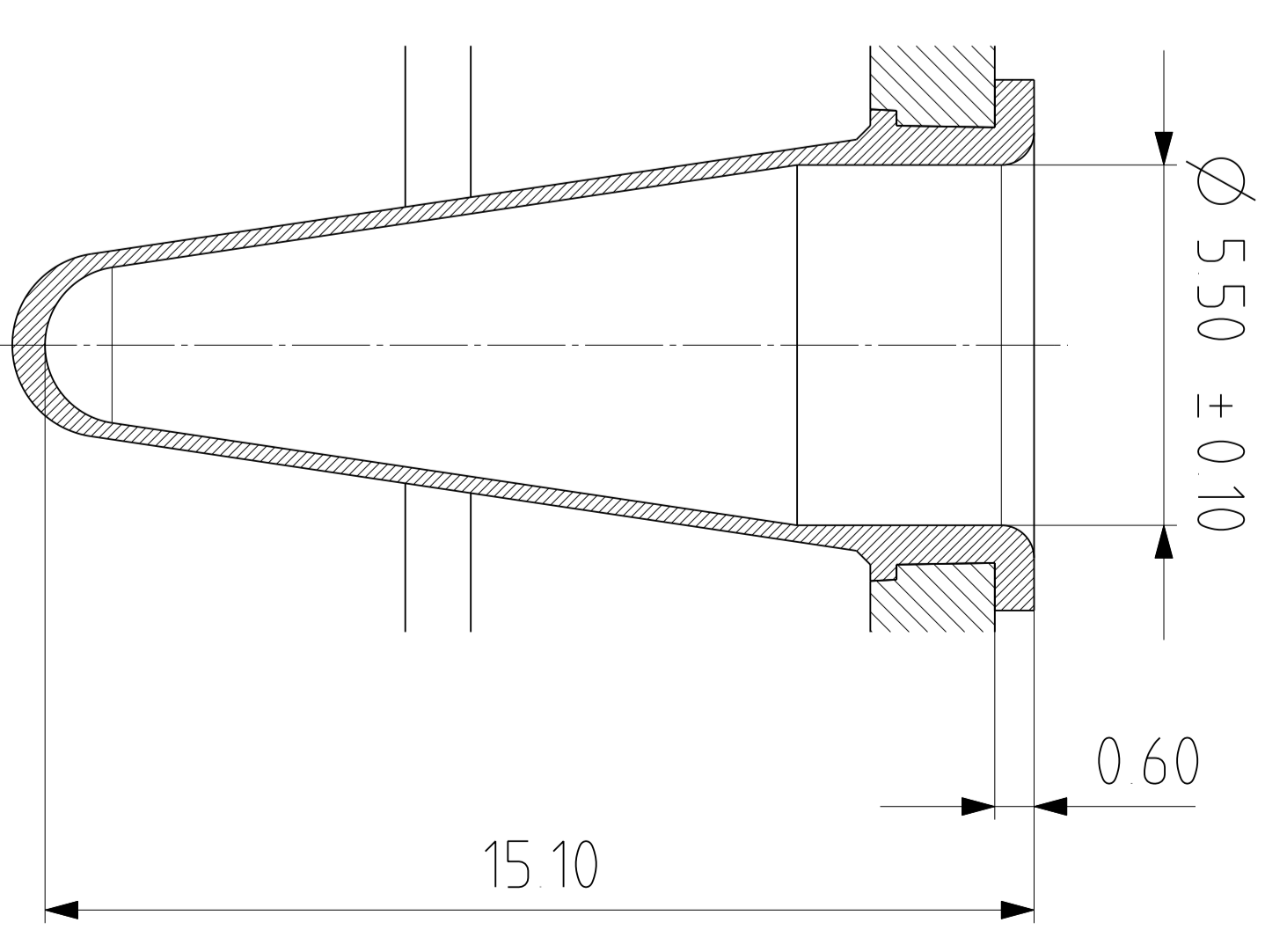
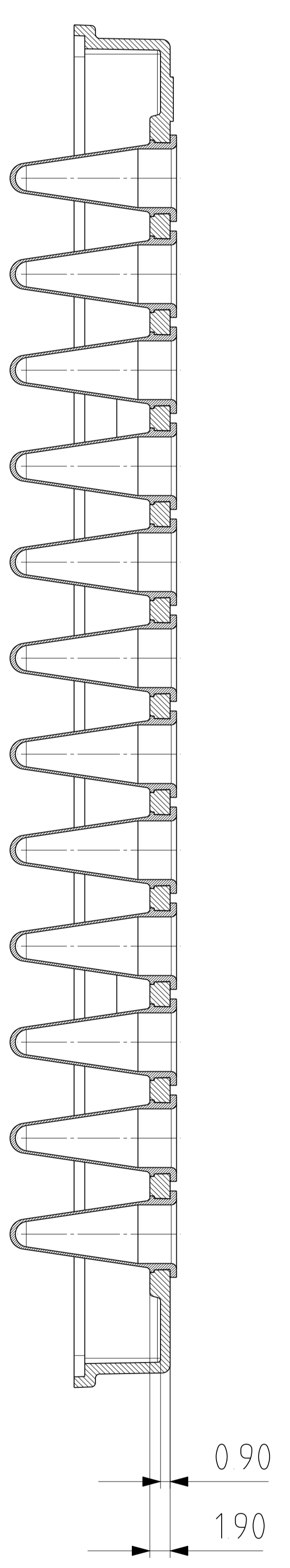
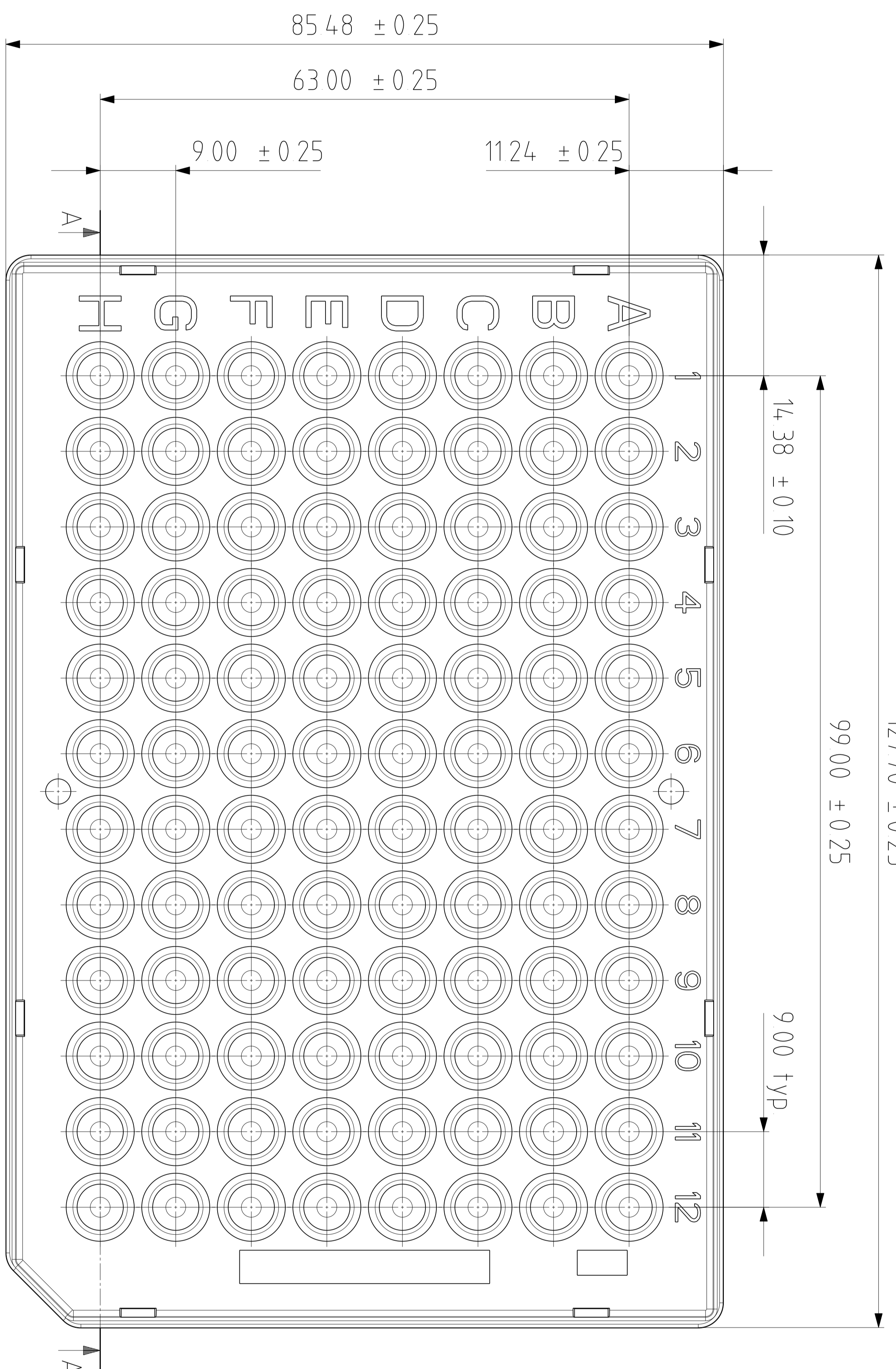
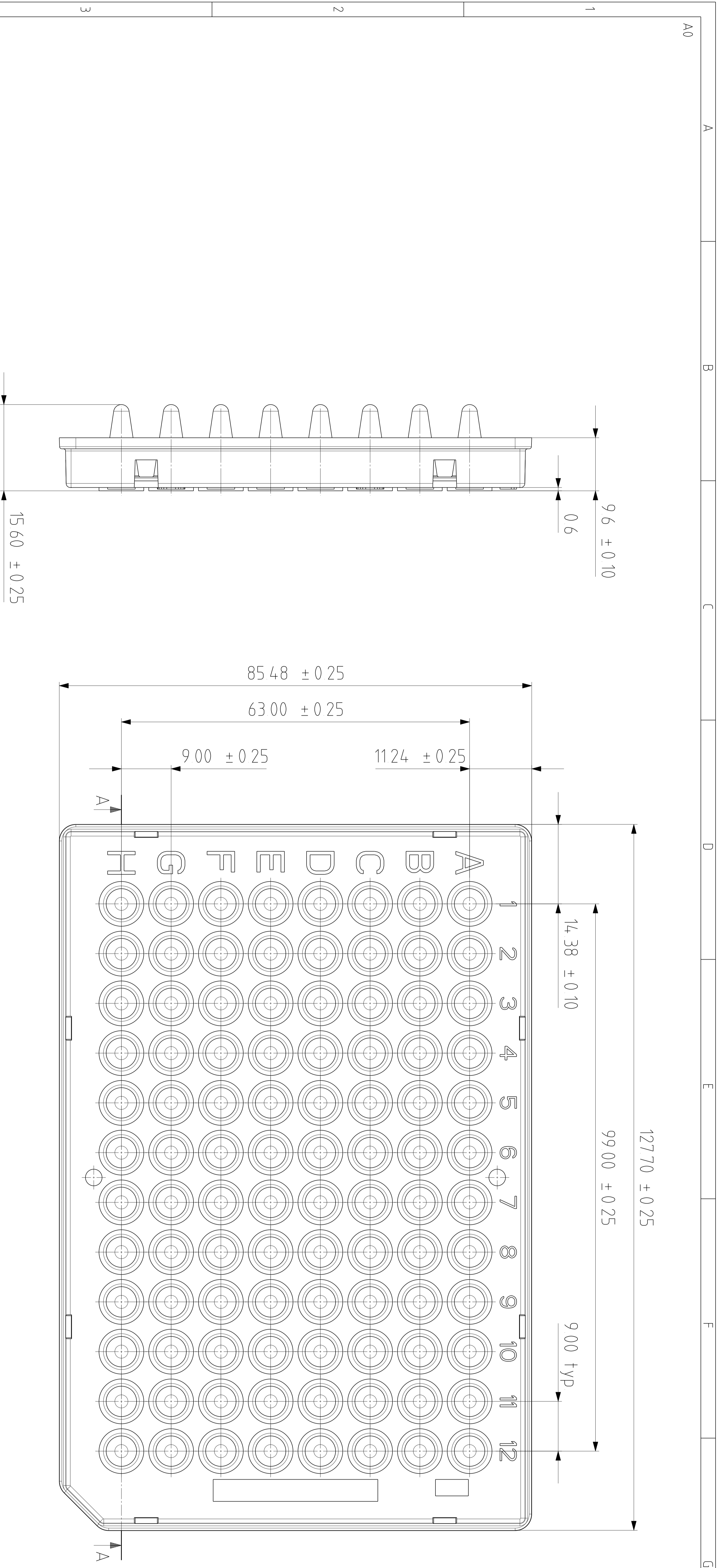
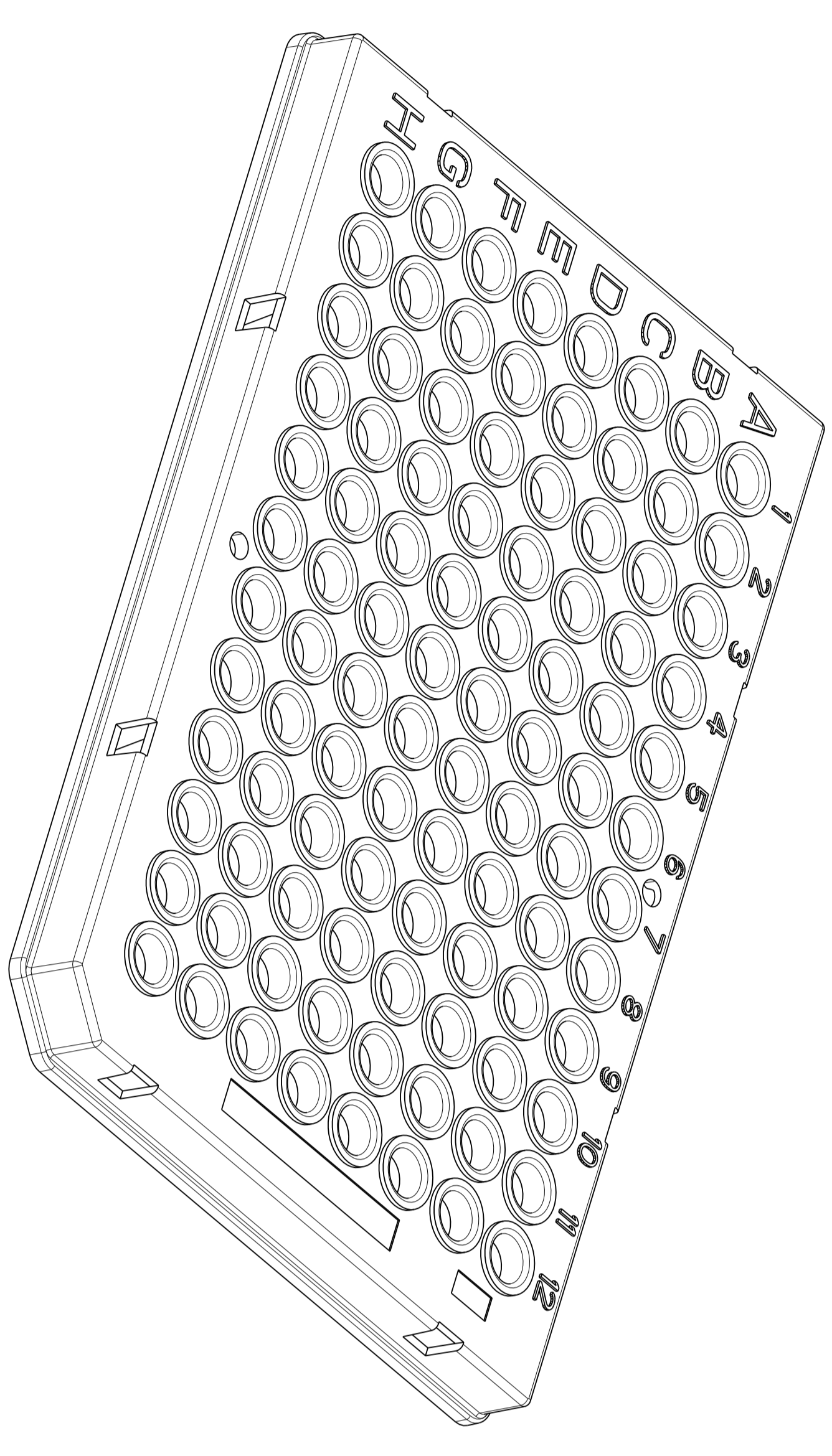
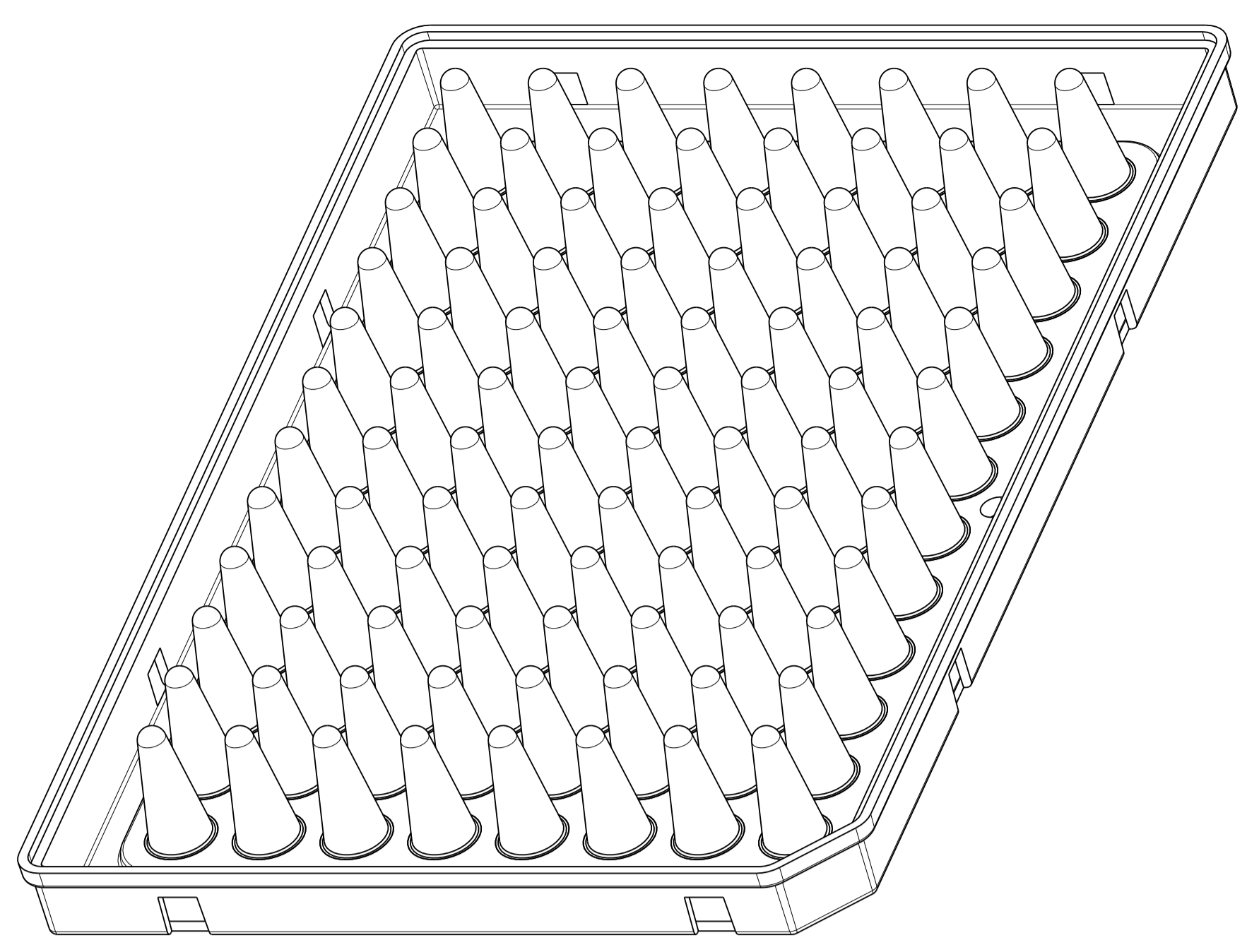


The drawing is not for production purposes. It is intended for information only. The manufacturer shall be responsible for the verification of any dimensions and tolerances.



VIAL FORM 96pos
SCALE 10:1



SIZE	DATE	REVISION	SIZE	DATE	REVISION

		DO NOT SCALE IF IN DOUBT ASK	
CUSTOMER	CUSTOMER DRG. No.	ISSUE	DATE
MATERIAL	PAUL D	DRAWN	ZOLTAN E
GENERAL TOLERANCES (UNLESS OTHERWISE SPECIFIED)	ALL DIMENSIONS IN MILLIMETERS	CHECKED	08.04.2009
0 ±0.10 0.10 ±0.20 1 ±0.30 1.5 ±0.40		DATE	PAUL D
		SCALE	
DRAWING No. 4-TI-0950		TITLE	
SHEET No. 1 OF 1		F-amestar 96 LC480	
		4-TI-0950/C clear frame clear well 4-TI-0951 clear frame white well	
		ISSUE B	