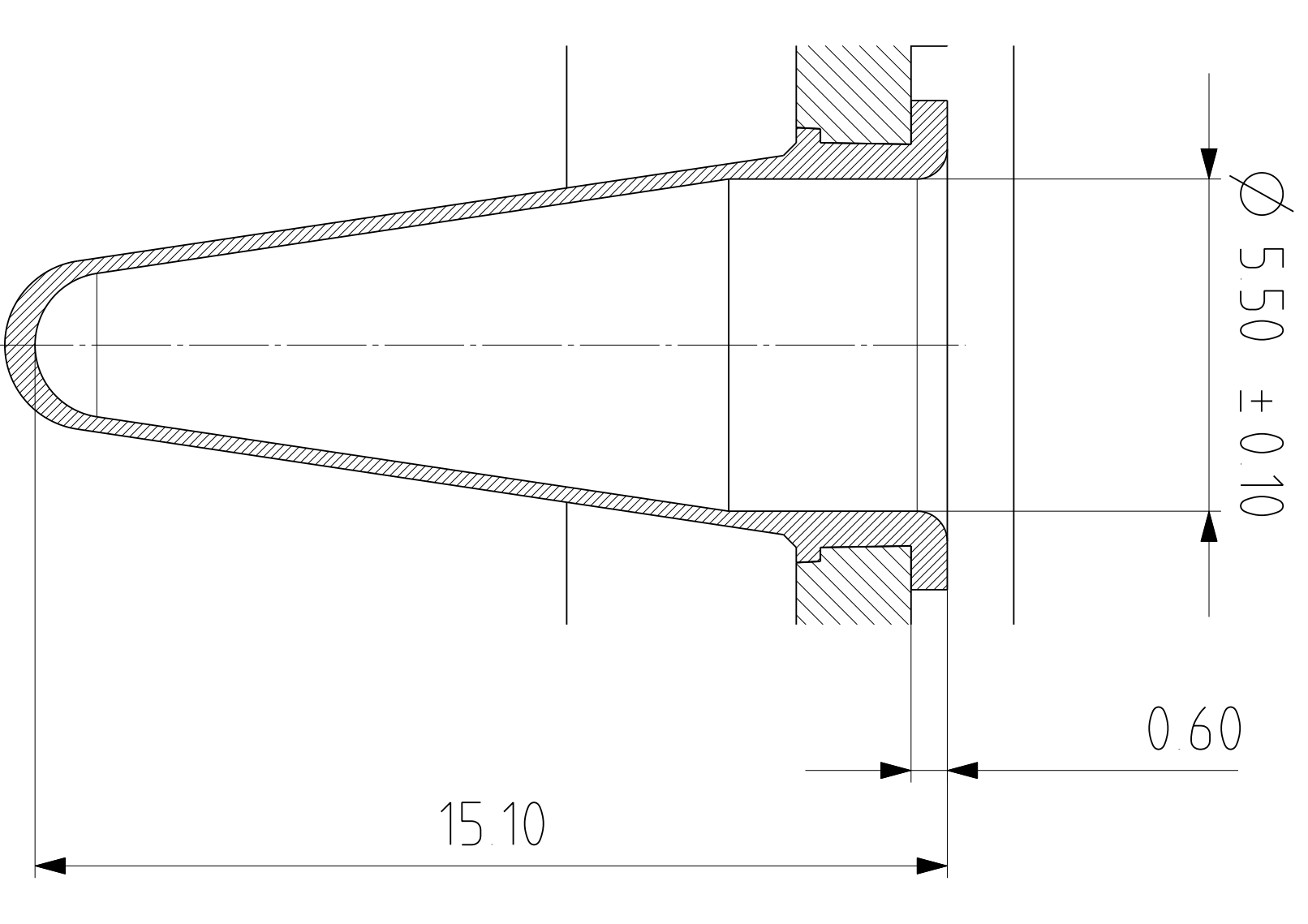
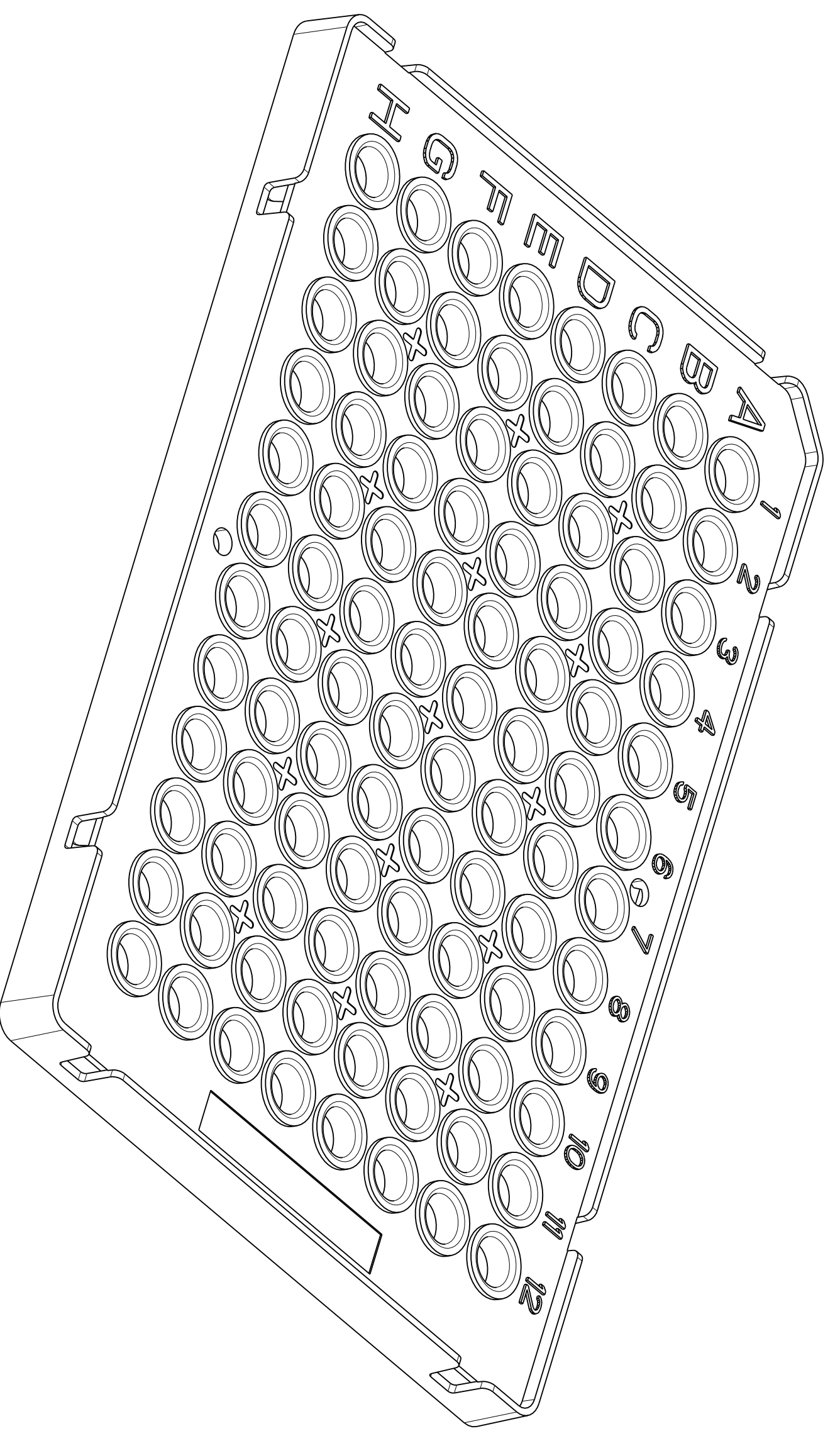
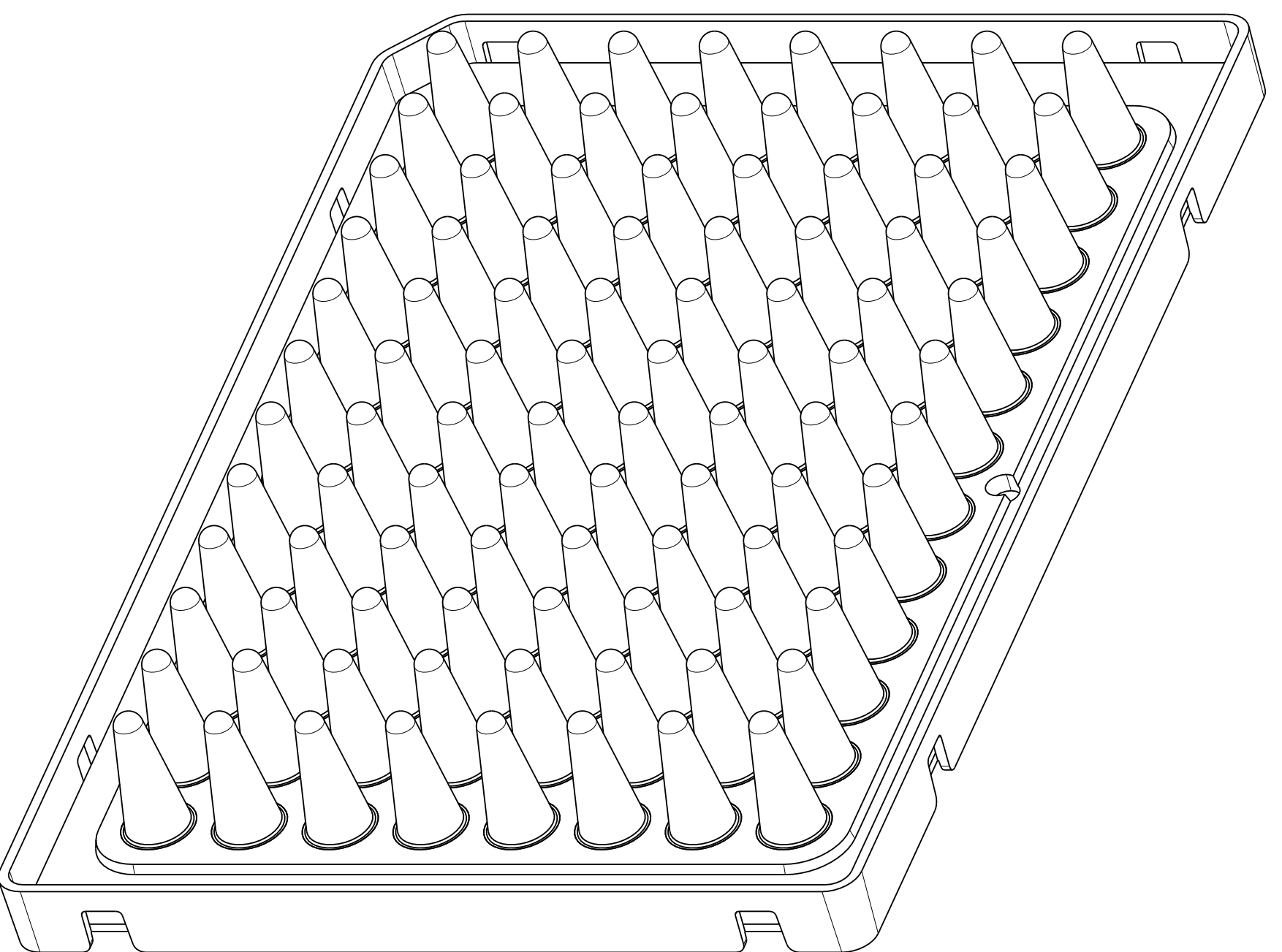


SECTION A-A



VIAL FORM 96pos
SCALE 10:1



REV	DATE	REVISION	SCALE	DATE	REVISION

	CUSTOMER	ZOLTAN E	TITLE	FrameStar 96 Fastplate
	CUSTOMER DRG. NO.	09.04.2009	DRAWN	PAUL D
	MATERIAL	ISSUE	CHECKED	DATE
	GENERAL TOLERANCES (UNLESS OTHERWISE SPECIFIED)	SCALE	DRAWING NO.	SHEET NO.
			4-TI-0910	1 OF 1
			ISSUE	A

4-TI-0910/C clear frame clear well
 4-TI-0911 clear frame white well