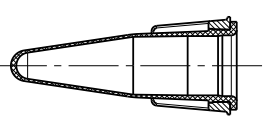
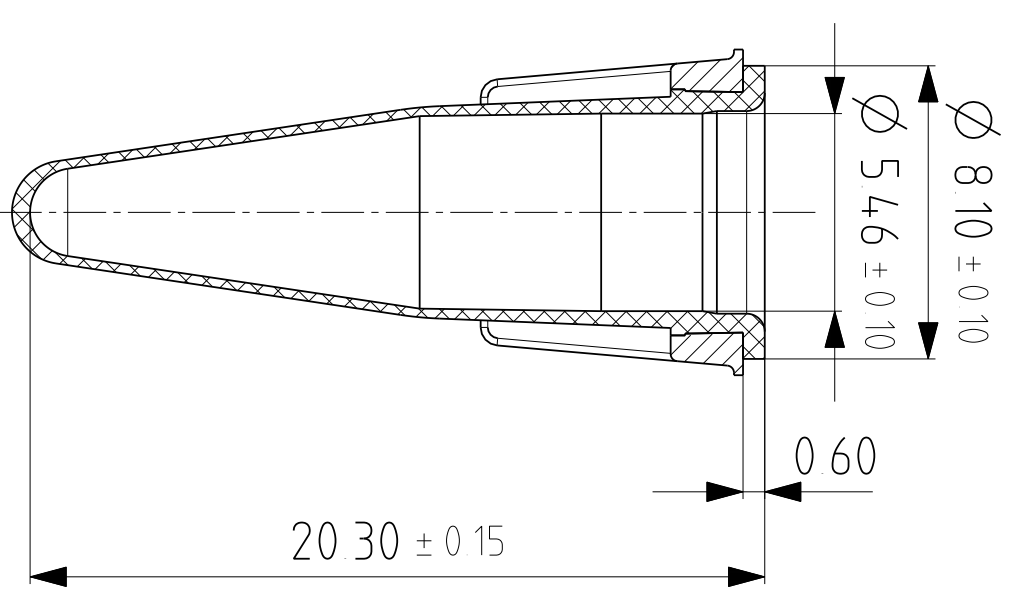
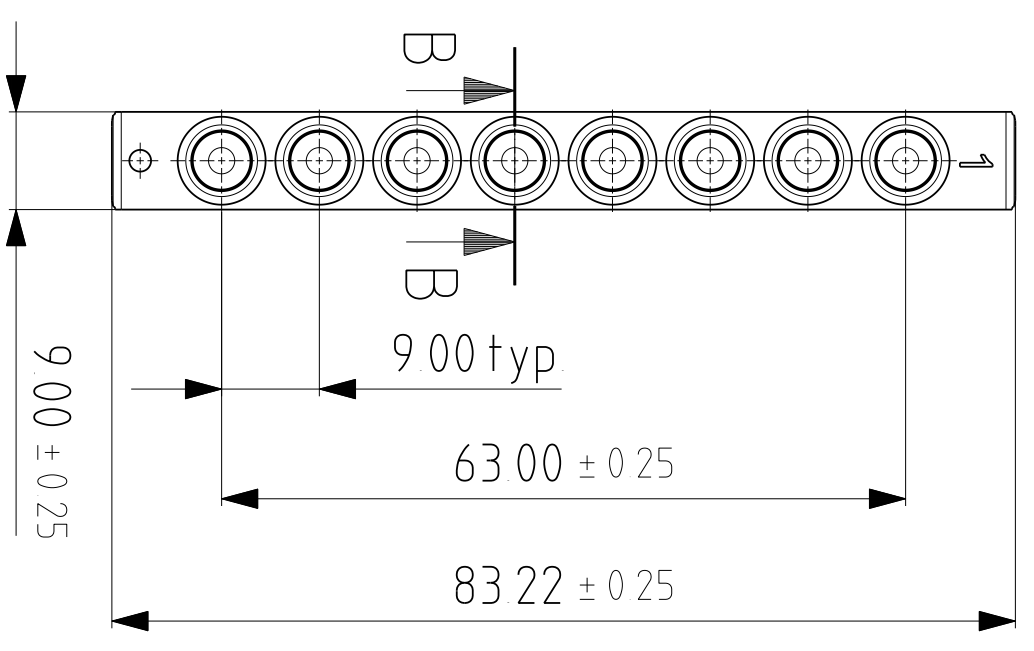
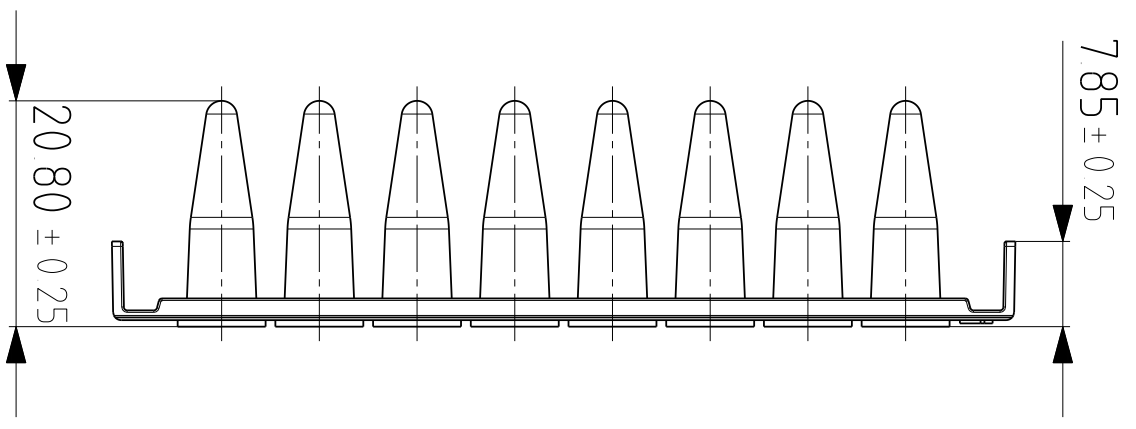

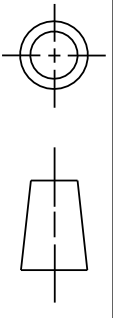


This drawing and/or any technical information relating to it issued in strict confidence and may not be reproduced or used for manufacture without written permission. Upon receipt of which it is the users responsibility to seek confirmation of any dimensions and production tolerances.



SECTION B-B

VIAL FORM 8pos.

				CUSTOMER ZOLTAN E	DRAWN ZOLTAN E	TITLE Individual Framestrip Marketing drawing				
		IF IN DOUBT ASK				CUSTOMER DRG No.	ISSUE	DATE 16.06.2011	CHECKED PAUL D	DRAWING No.
WWW.ATTITUDE.CO.UK		DO NOT SCALE		MATERIAL	TOLERANCES GENERAL TOLERANCES (UNLESS OTHERWISE STATED)	TOLERANCES ANGULAR 0.00 ± 0.10 0.00 ± 0.20 0.00 ± 0.30° (ALL DIMENSIONS IN MILLIMETRES)	DATE	SCALE	SHEET No.	ISSUE 1 OF 1