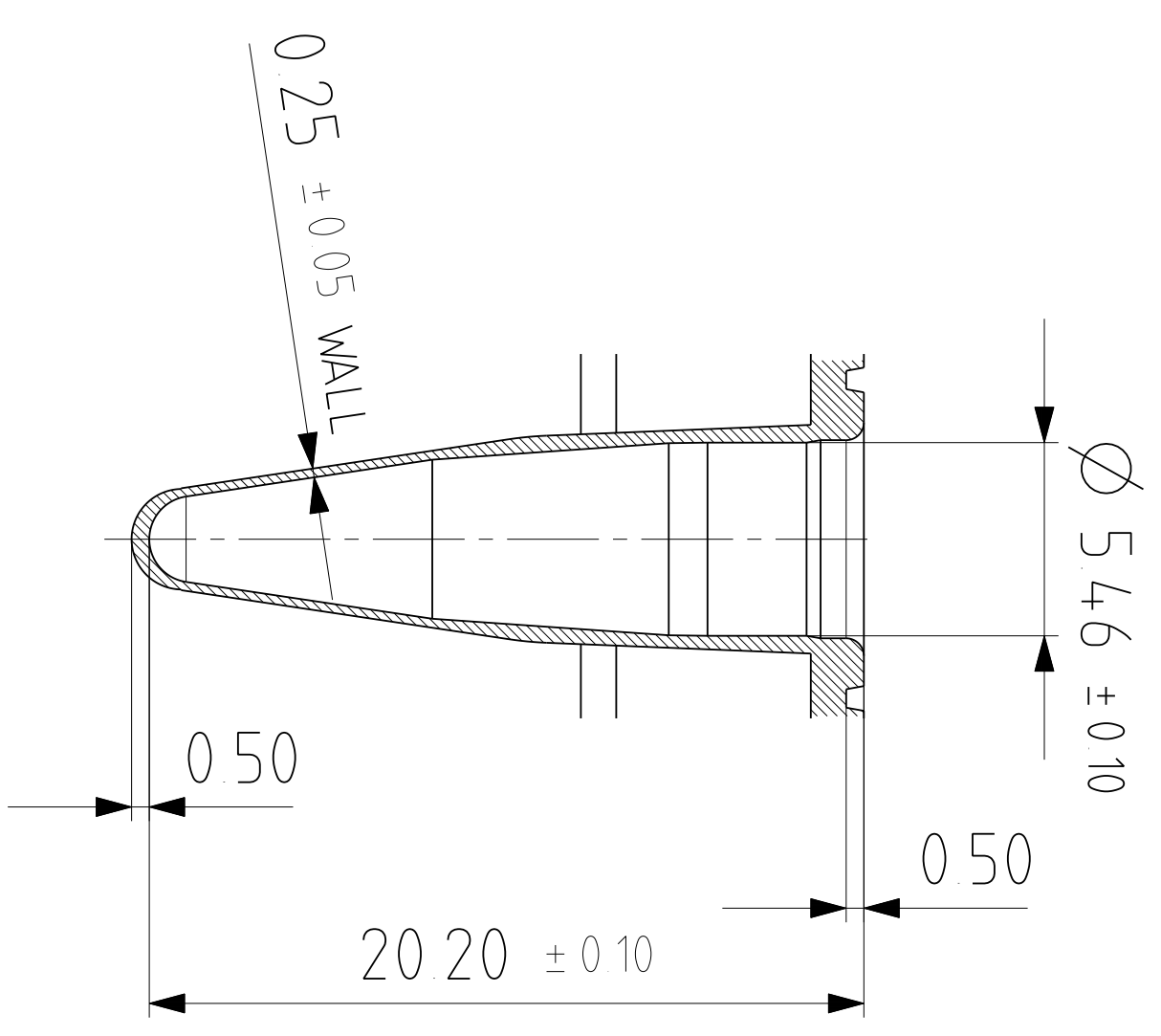
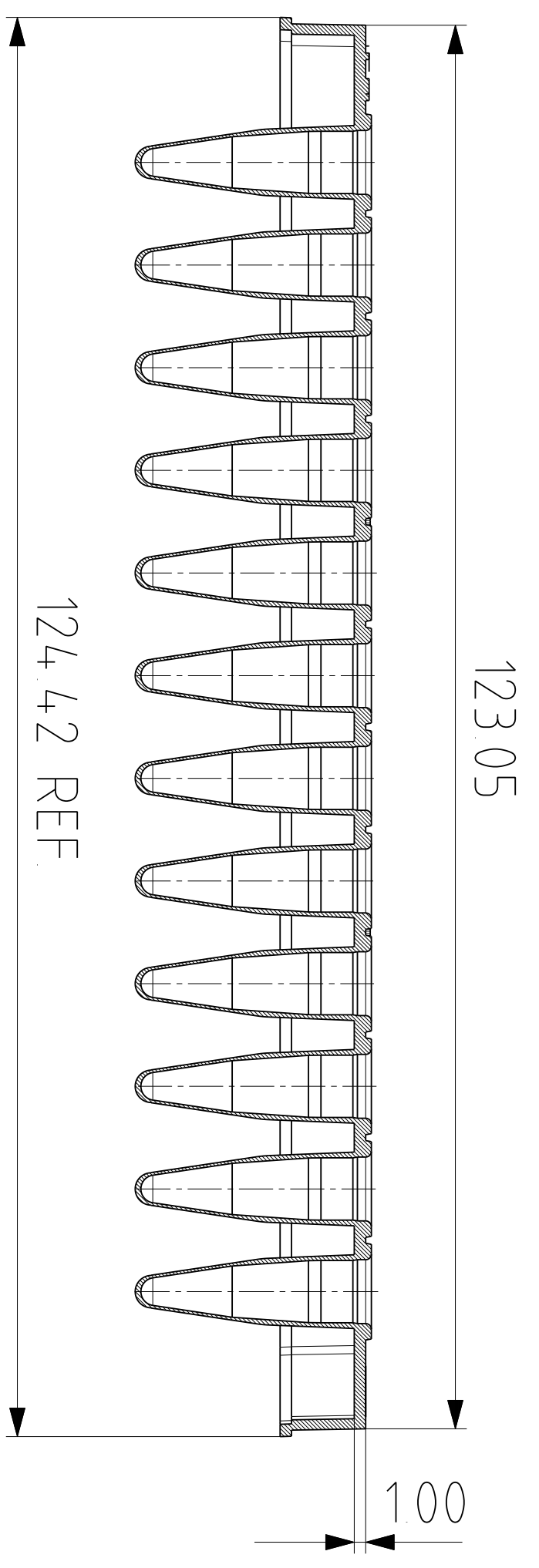


ALTERNATIVE POSITIONS FOR CUT CORNER



VIAL FORM 96pos

NOTE
 ALL FACES TO BE HAVE A SMOOTH GLOSS FINISH (HIGHLY POLISHED ON TOOL)
 UNLESS OTHERWISE STATED
 Weight 21g

		CUSTOMER CUSTOMER DRG. No. _____ ISSUE _____		DRAWN ZOLTAN E		TITLE One piece	
DO NOT SCALE IF IN DOUBT ASK		MATERIAL POLYPROPYLENE Purrell HP371P		DATE 23.01.2011		CHECKED PAUL D	
TOLERANCES GENERAL TOLERANCES (UNLESS OTHERWISE STATED)		ANGLES 0° ± 0.05 1.0° ± 0.05 1.0° ± 0.10 ALL DIMENSIONS IN MILLIMETERS		DATE _____		DRAWING No. Marketing drawing	
IF IN DOUBT ASK		SCALE 2:1		SHEET No. 1 OF 1		ISSUE D	