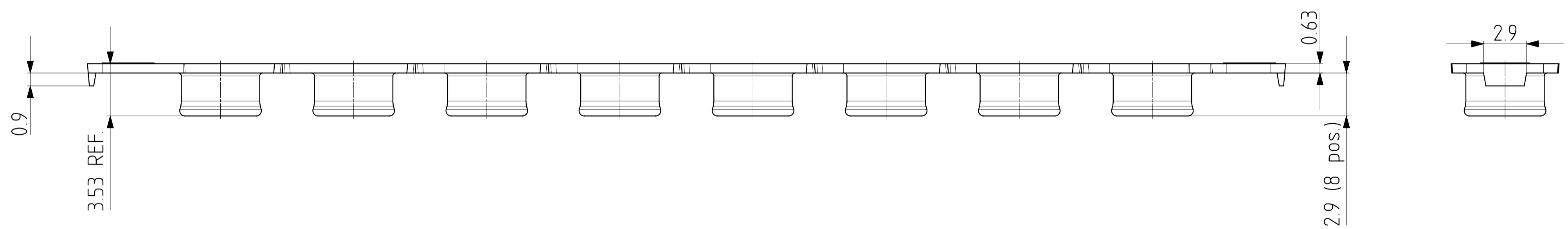
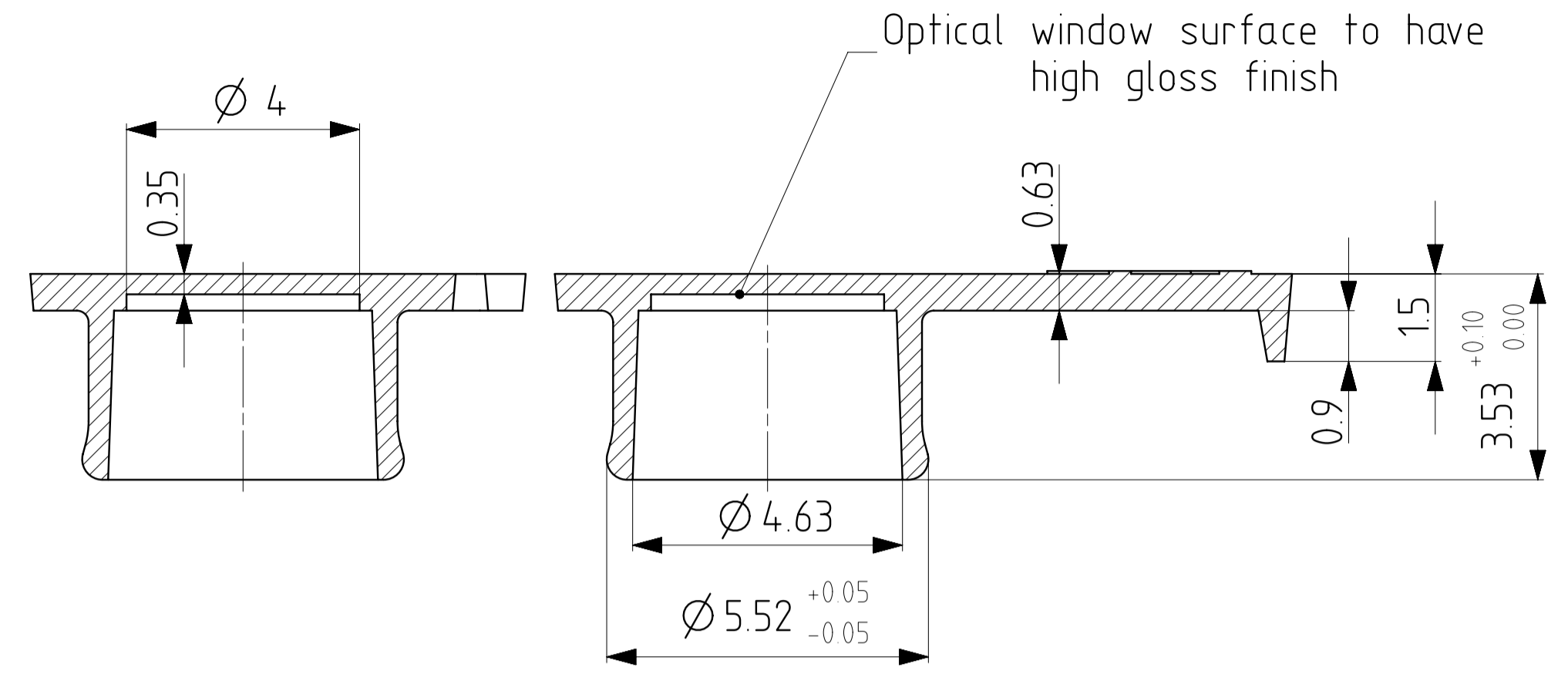
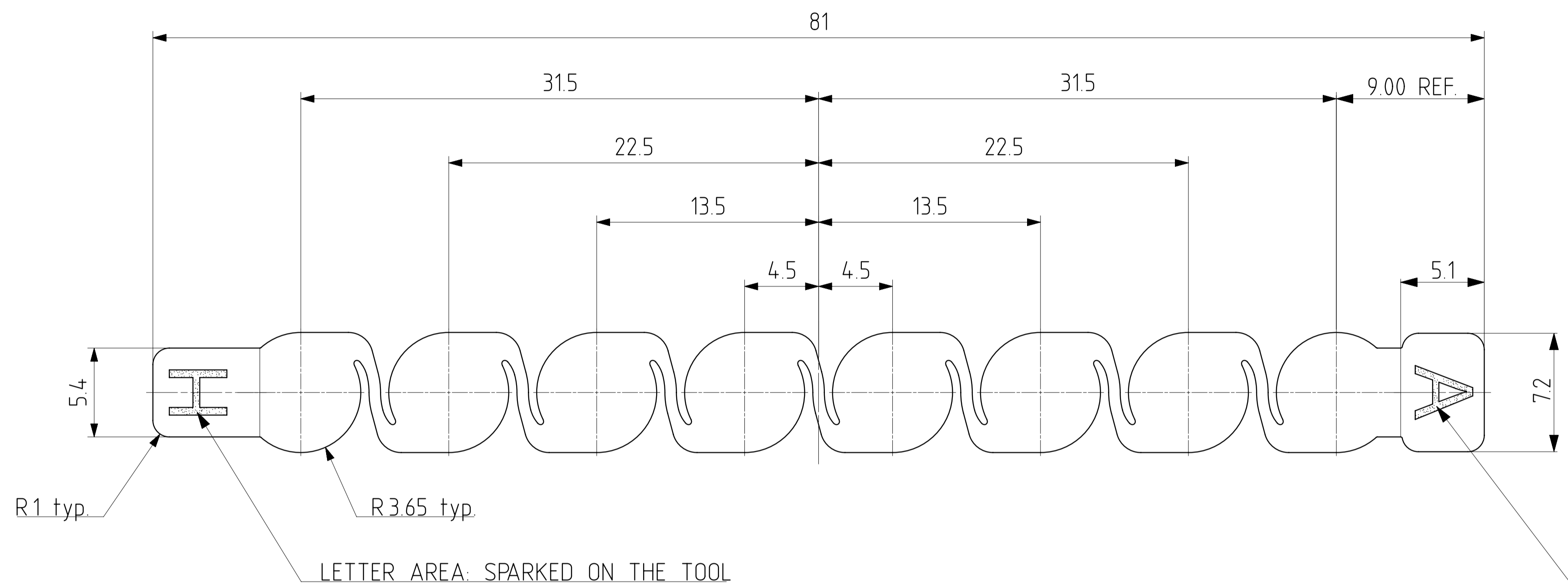
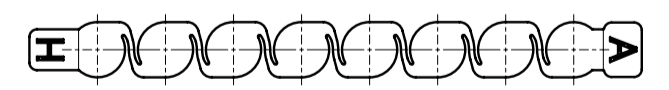


CAP DETAIL 10:1



NOTE:
 ALL FACES TO HAVE A SMOOTH GLOSS FINISH (HIGHLY POLISHED ON TOOL)
 UNDIMENSIONED FEATURES BY 3D MODEL



ACTUAL SIZE

ISSUE	DATE	AMENDMENT

4titude
 www.4ti.co.uk

DO NOT SCALE
 IF IN DOUBT ASK

CUSTOMER: ZOLTAN E.
 CUSTOMER DRG No.: 12.03.2015
 MATERIAL: POLYCARBONATE - Panlite L 1225Z 100
 TOLERANCES:
 0 ±0.20
 0.0 ±0.10
 0.00 ±0.05
 ANGULAR ±0°30'
 (ALL DIMENSIONS IN MILLIMETRES)

DRAWN: ZOLTAN E.
 DATE: 12.03.2015
 CHECKED: PAUL D.
 DATE:
 SCALE: 5:1

TITLE: CrystalCaps (8-strip caps) MARKETING DRAWING
 DRAWING No.: 4ti-0755
 SHEET No.: 1 OF 1
 ISSUE: A