

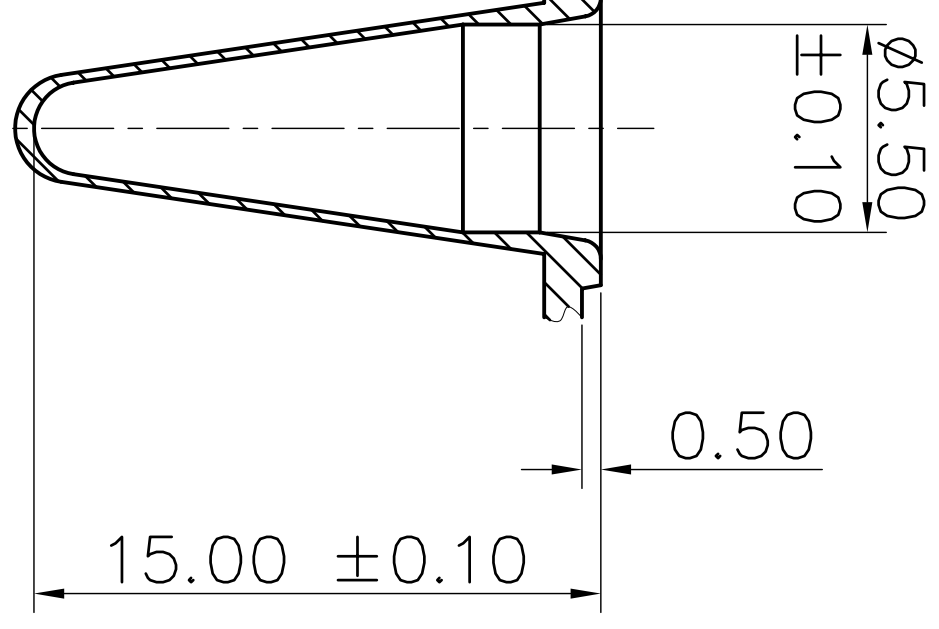
**NOT TO SCALE**  
127.76 ±0.25

99.00 ±0.25

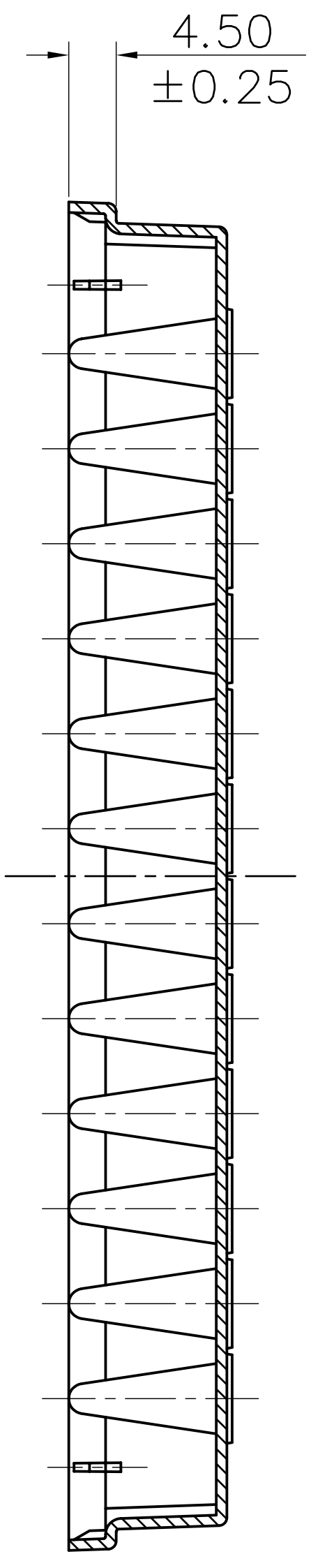
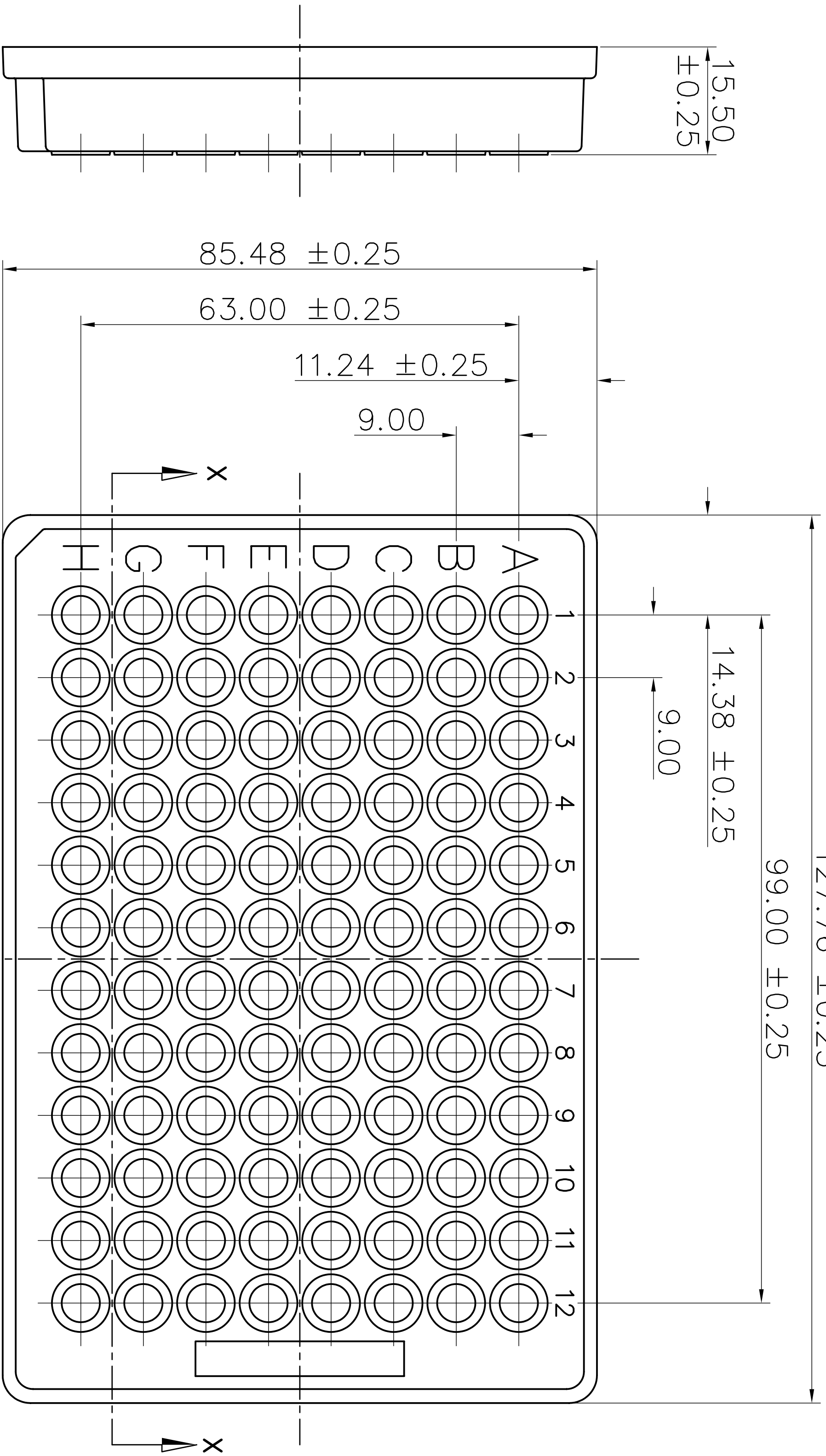
14.38 ±0.25

9.00

15.50  
±0.25

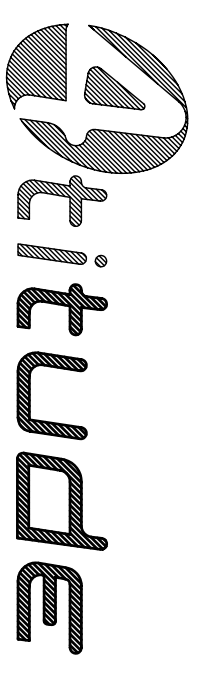


VIAL FORM 96pos



SECTION X-X

This drawing and/or any technical information relating to it is issued in strict confidence and may not be reproduced or used for manufacture without written permission. Upon receipt of which it is the users responsibility to seek confirmation of any dimensions and production tolerances.



TITLE:  
SKIRTED 96 WELL PCR PLATE

All dimensions in millimetres

WWW.4ti.co.uk

DATE: 28/7/08

SHEET No.: 1 OF 1

ISSUE: A