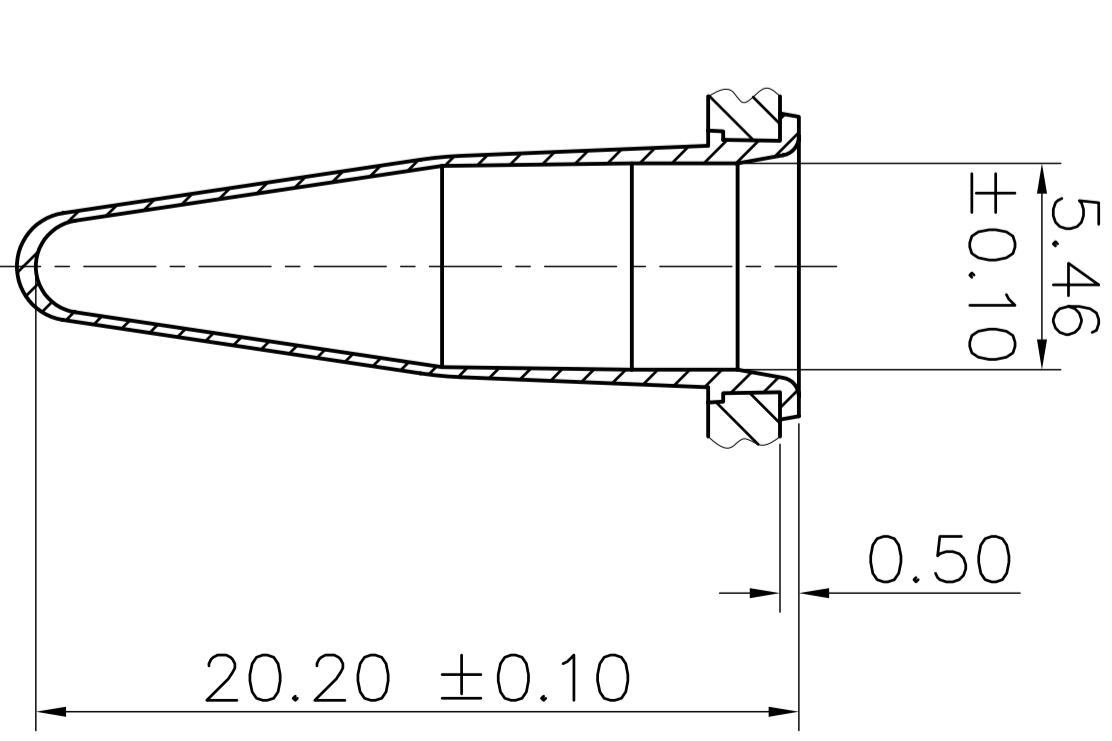
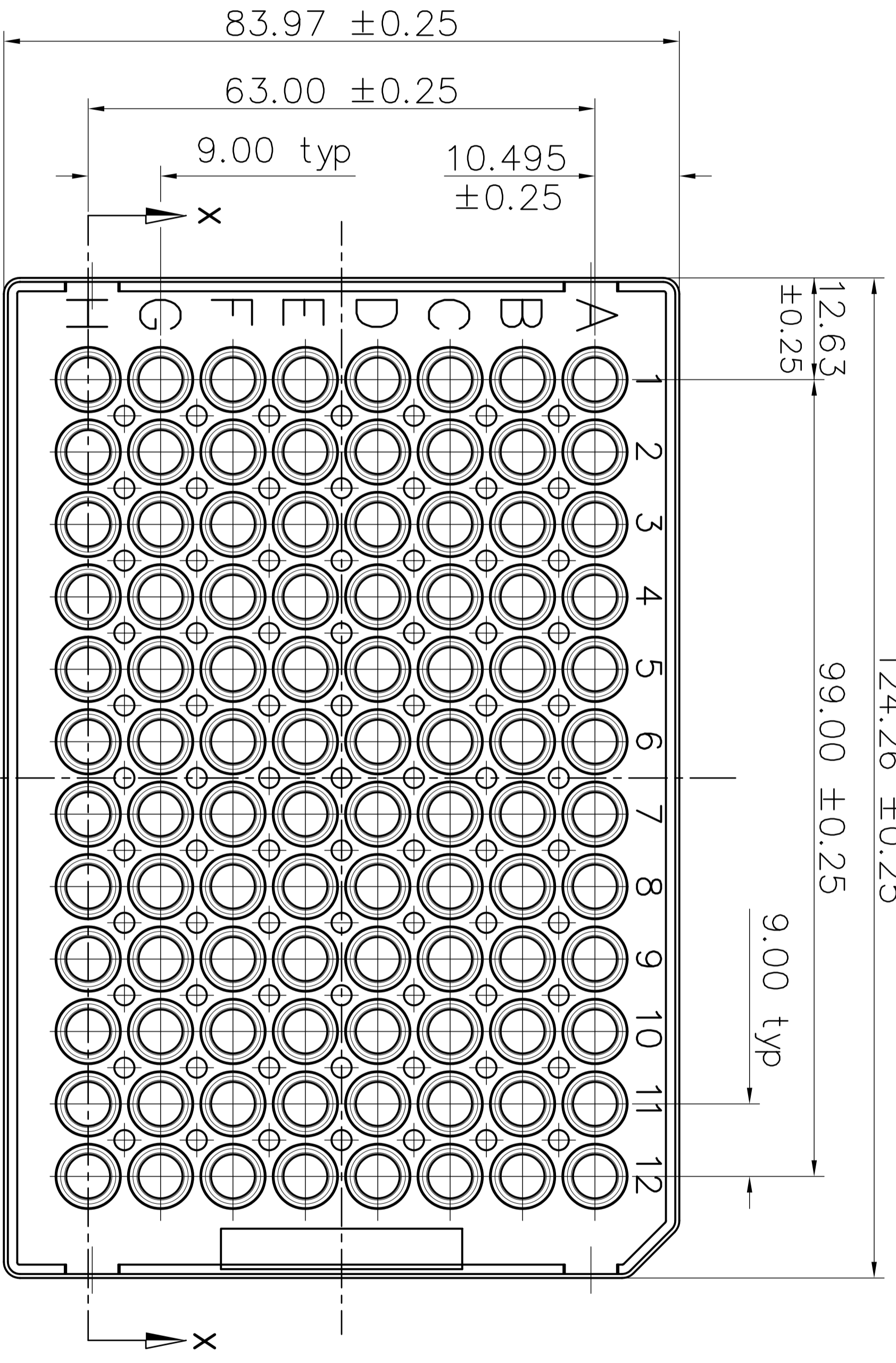
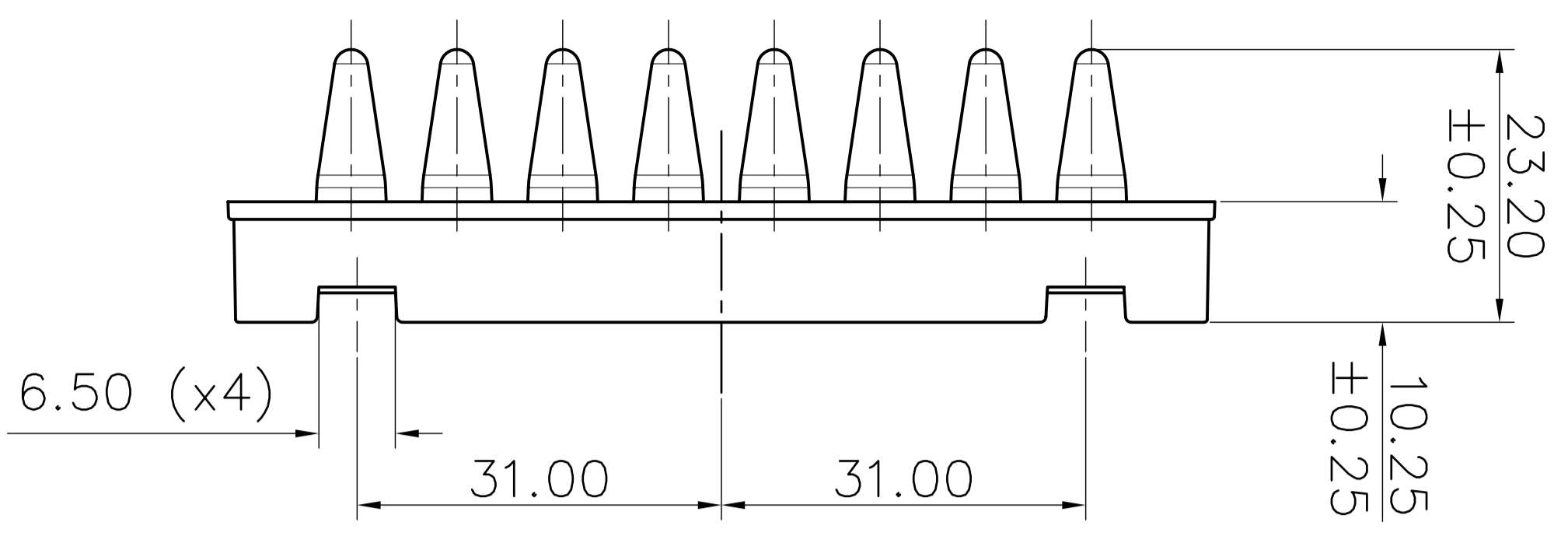
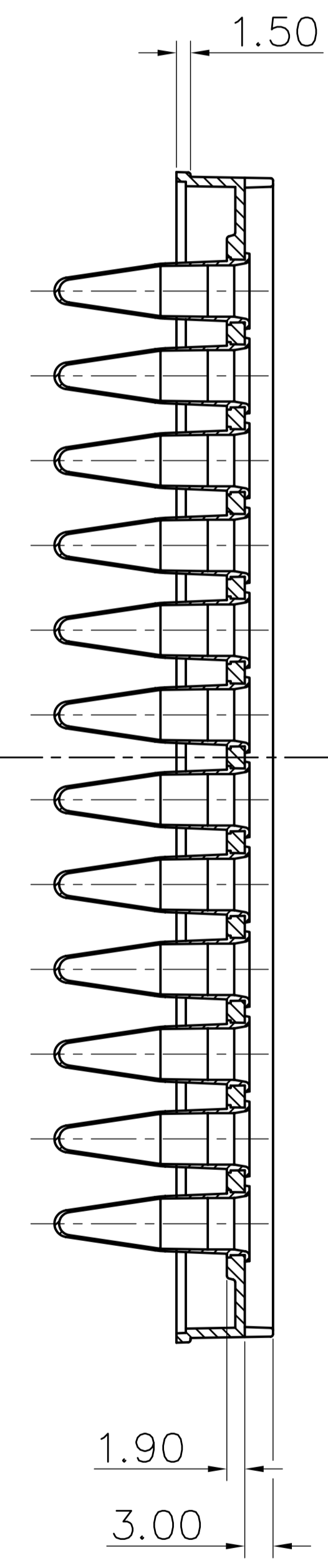


**NOT TO SCALE**  
124.26 ±0.25

This drawing and/or any technical information relating to it is issued in strict confidence and may not be reproduced or used for manufacture without written permission. Upon receipt of which it is the users responsibility to seek confirmation of any dimensions and production tolerances.



VIAL FORM 96pos



SECTION X-X



4ti-0730

All dimensions in millimetres

		TITLE:	
WWW.4ti.co.uk		4ti-0730	
DATE:	16/7/07	SHEET No.:	1 OF 1
ISSUE:	A		