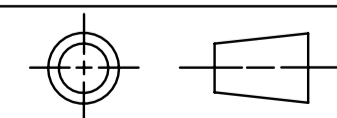


ISSUE	DATE	AMENDMENT



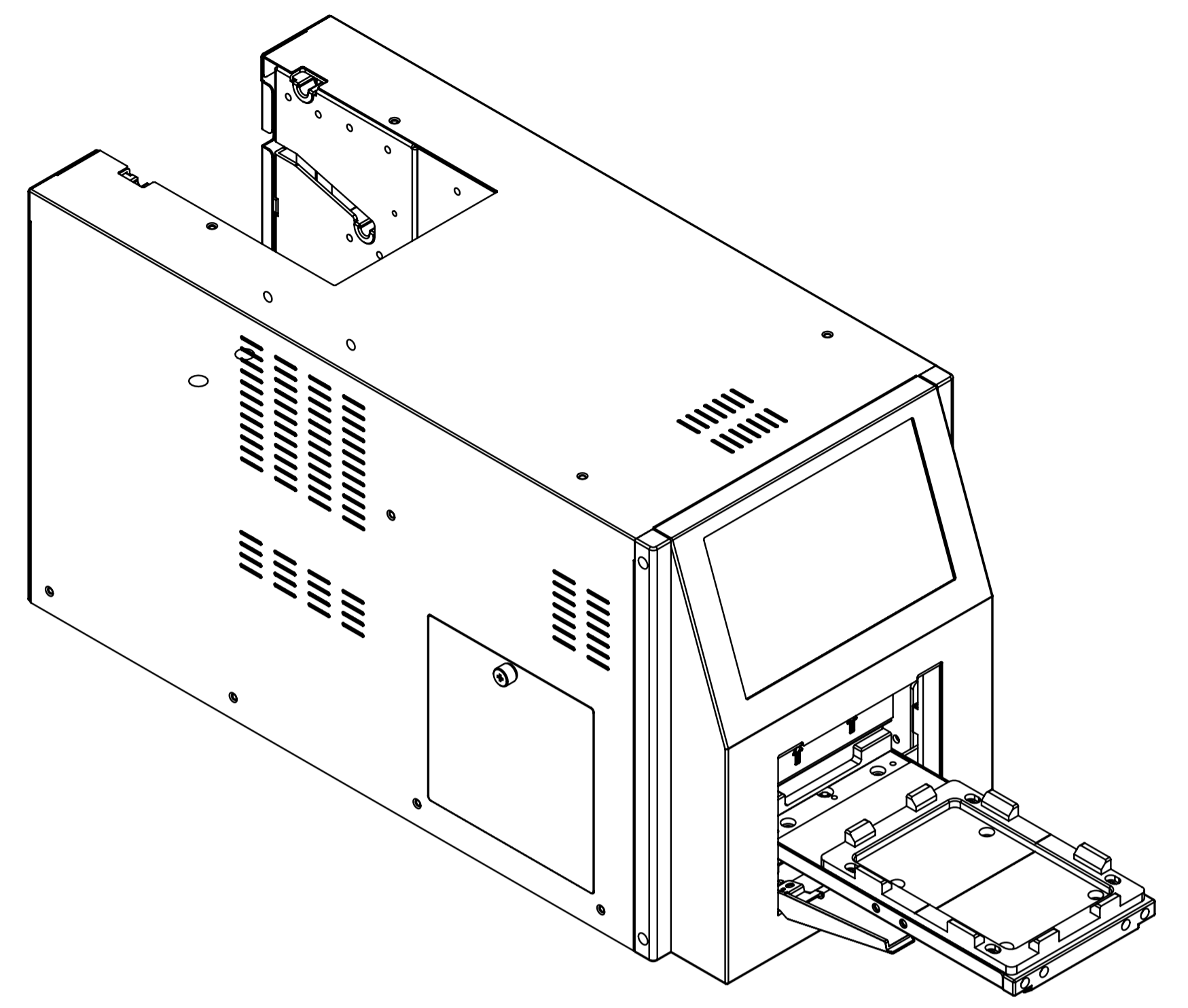
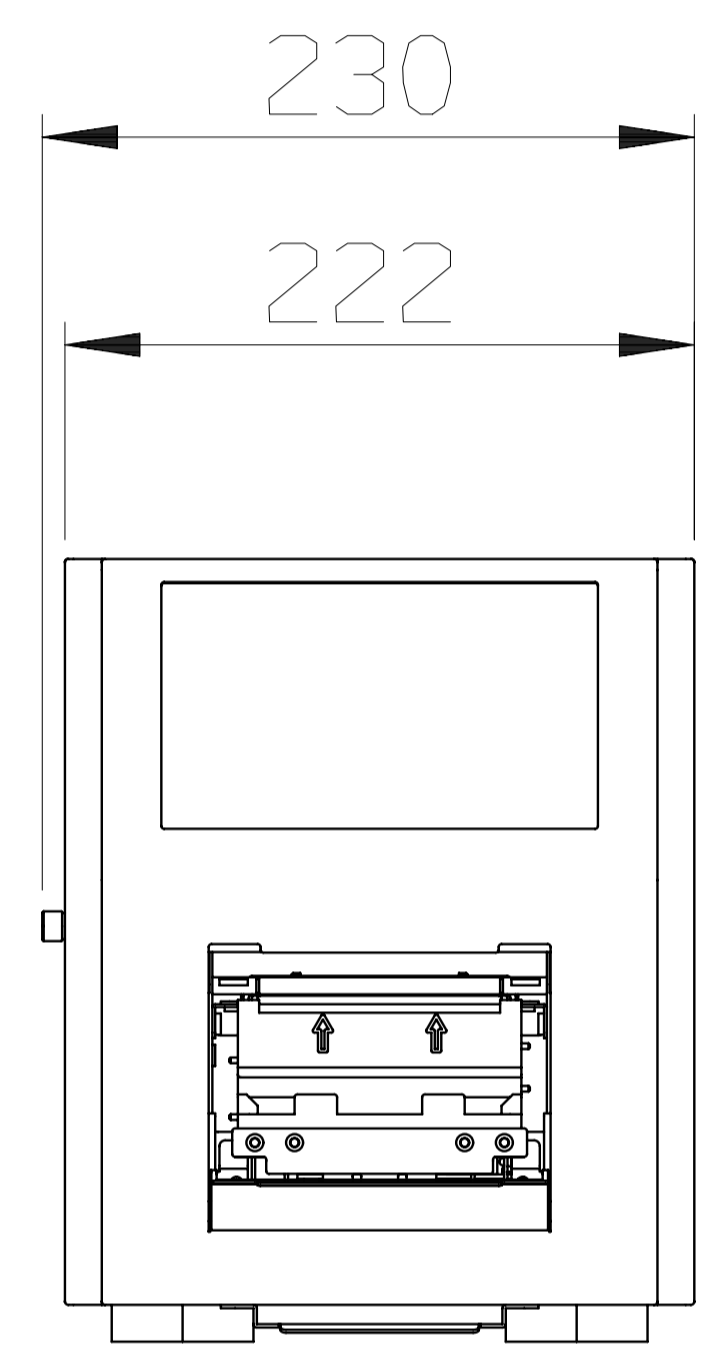
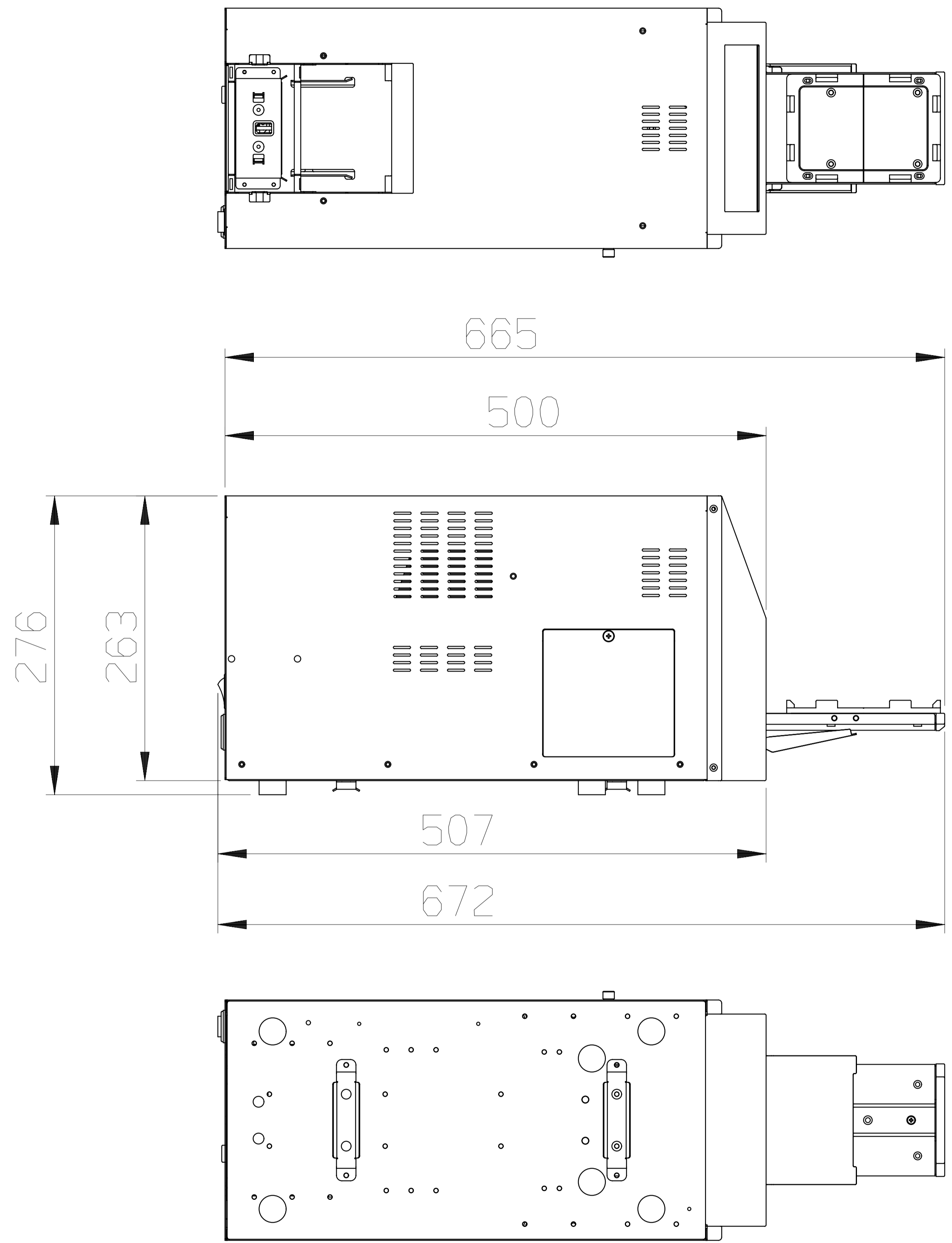
www.4ti.co.uk



DO NOT SCALE

IF IN DOUBT ASK

CUSTOMER	DRAWN	TITLE	
CUSTOMER DRG No.	ISSUE	α4S unit dimension (door close)	
MATERIAL	CHECKED	DRAWING No.	ISSUE
TOLERANCES	DATE 2015/07/01	SHEET No.	
GENERAL TOLERANCES (UNLESS OTHERWISE STATED)	SCALE		
- 1000 ±0.50 10-100 ±0.20 1-10 ±0.10 ANGULAR ±0°30' (ALL DIMENSIONS IN MILLIMETRES)			



ISSUE	DATE	AMENDMENT



www.4ti.co.uk

DO NOT SCALE
IF IN DOUBT ASK

CUSTOMER	DRAWN
CUSTOMER DRG No.	ISSUE
MATERIAL	CHECKED
TOLERANCES	DATE 2015/07/01
GENERAL TOLERANCES (UNLESS OTHERWISE STATED)	SCALE

- 1000 ±0.50
10-100 ±0.20
1-10 ±0.10
ANGULAR ±0°30'
(ALL DIMENSIONS IN MILLIMETRES)

DATE	2015/07/01
SCALE	

TITLE	α4S unit dimension (door open)
DRAWING No.	
SHEET No.	ISSUE