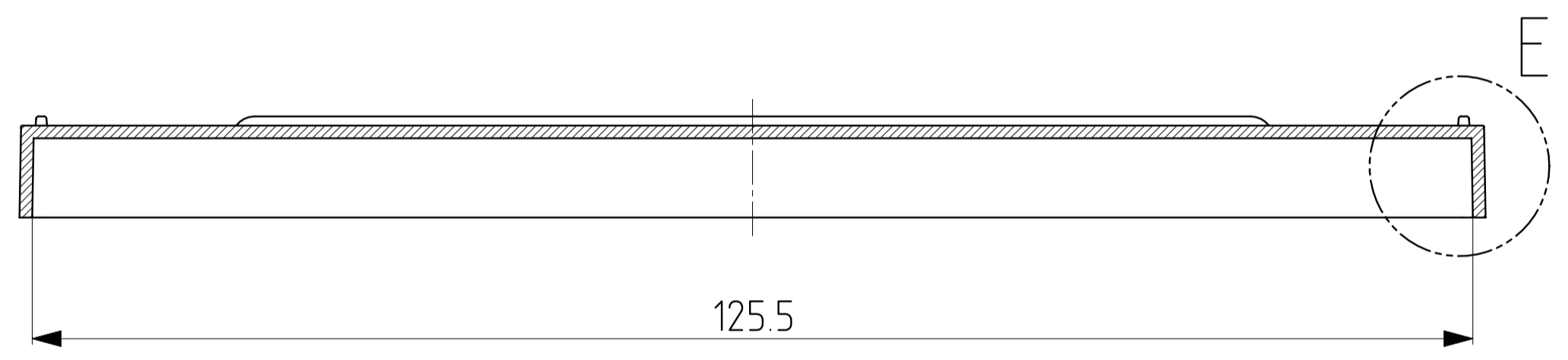
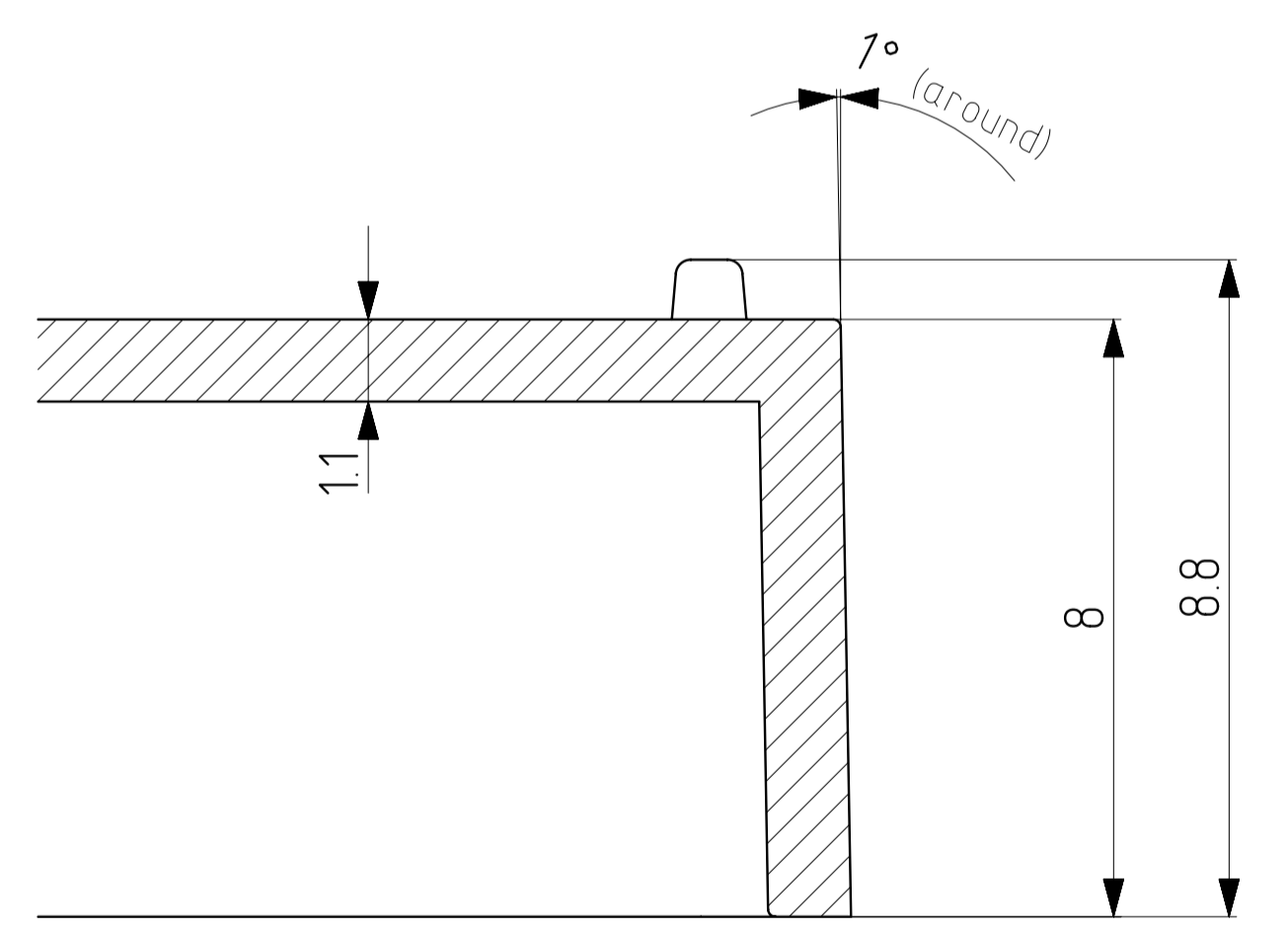


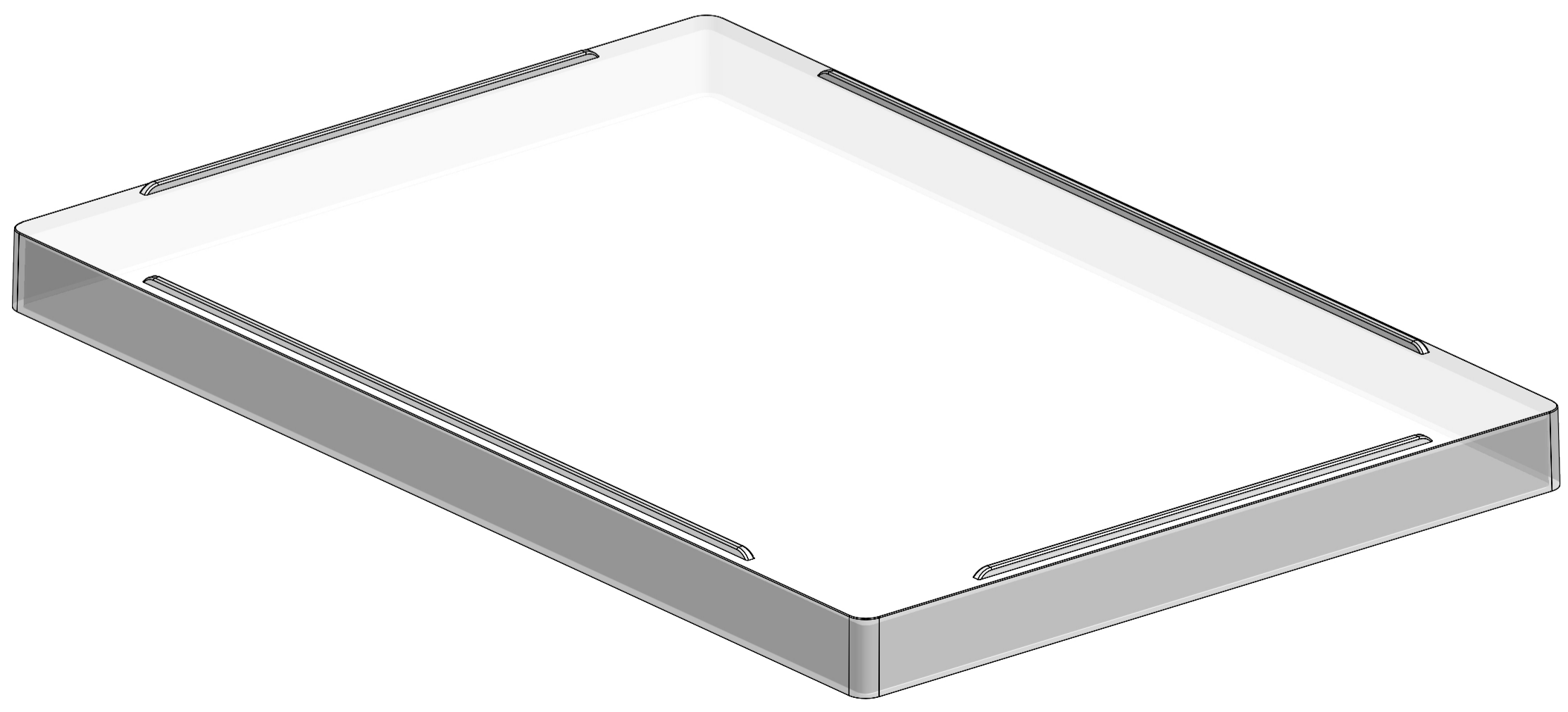
SECTION D-D



SECTION A-A



DETAIL E
SCALE 10:1



ISSUE	DATE	AMENDMENT
A	21/12/15	Original issue

www.4ti.co.uk

DO NOT SCALE
IF IN DOUBT ASK

CUSTOMER	DRAWN	ZE
CUSTOMER DRG No.	DATE	21.12.2015
MATERIAL POLYSTYRENE	CHECKED	PD
TOLERANCES	DATE	
GENERAL TOLERANCES (UNLESS OTHERWISE STATED)	SCALE	
0 ±0.20 0.0 ±0.10 0.00 ±0.05 ANGULAR ±0°30' (ALL DIMENSIONS IN MILLIMETRES)		

TITLE	DRAWING No.	ISSUE
NGS Universal Lid version 5 MARKETING DRAWING		A
SHEET No.	1 OF 1	