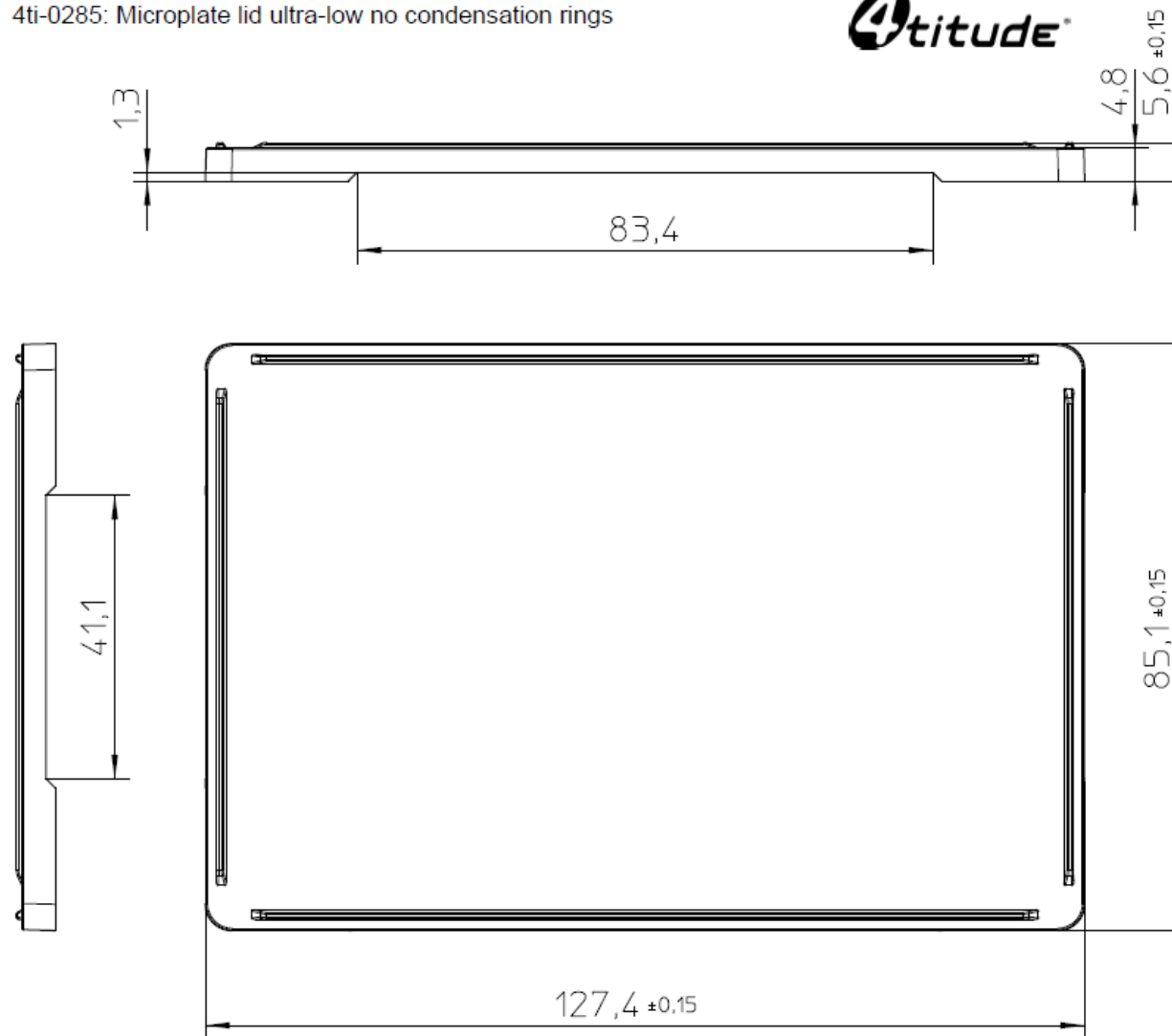
	<b>Identification Number</b>	QC – 0175		
	<b>Title</b>	Technical Drawing 4ti-0285		
	<b>Revision</b>	001	<b>Effective Date</b>	23/08/2013
	<b>Document Owner</b>	QC	<b>Page</b>	1

4ti-0285: Microplate lid ultra-low no condensation rings



\*All dimensions in mm\*