

Infinity XE 60

Nitrogen generator supporting multiple instruments

Part Number : See Reverse

Service Kit : See Reverse



Your local gas generation partner

Description

Producing between 10 and 500 L/min of high purity nitrogen gas, the Infinity XE 60 series nitrogen membrane gas generators can comfortably supply multiple laboratory instruments with instrument grade nitrogen.

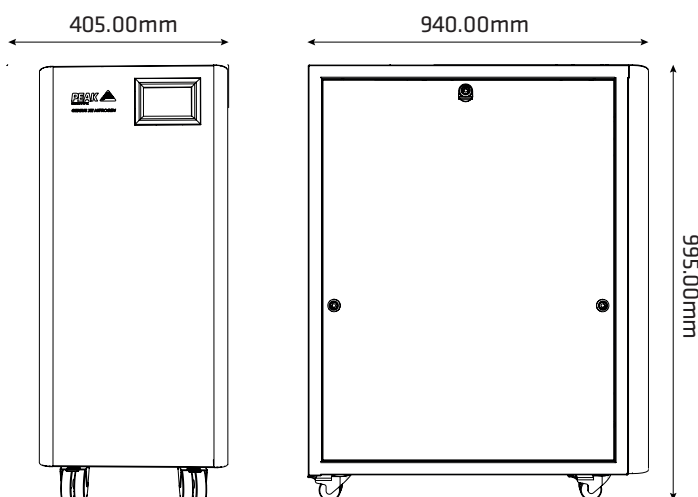
Offering labs a cost-effective alternative to cylinders in a compact, space saving nitrogen solution, the Infinity XE 60's Intelligent Membrane Management (IMM) uniquely optimizes air consumption depending on set purity, inlet pressure/flow and nitrogen demand. With variable N₂ purities (95- 99.5%), XE 60 can meet the demands of numerous applications such as ELSD, NMR, FT/MS, Sample Evaporators, as well as LC-MS and should your lab demands grow over time, Infinity XE 60 can have its nitrogen output increased on-site up to a maximum of 500 L/min all within the same original footprint.

To operate, the Infinity series of generators require an external source of compressed air, which meets a minimum quality grade of ISO 8573-1:2010 Class 1.4.1. Where required, Peak can provide assistance on external compressors & pre/post filtration as part of delivering a complete solution for your needs.



Applications

- ▶ LC-MS
- ▶ ELSD
- ▶ Sample Evaporators
- ▶ NMR
- ▶ FT/MS



INFINITY XE 60 Dimensions

Key Features

- ▶ Flow rates ranging from 10-500 L/min*
- ▶ N₂ purity up to 99.5%
- ▶ Versatile solution with varying Nitrogen flow, pressure & purity capabilities
- ▶ In-field expansion of nitrogen capacity, for models without dry air outlet, to meet growing lab demands
- ▶ Optional second outlet for Dry Air
- ▶ Intelligent Membrane Management (IMM) optimizes compressed air requirement based on gas consumption
- ▶ IMM reduces overall compressor run time and energy consumption, reducing carbon footprint
- ▶ Fully comprehensive 2-Year Warranty**

* Dependent on inlet pressure, inlet/outlet flow & Nitrogen purity setting

** subject to meeting 2 year warranty conditions
www.peakscientific.com/warranty-statement/

Technical Specifications	6010	6020	6030	6040
Flow Rate Min - Max [†] (Nitrogen L/min)	up to 130 L/min	up to 260 L/min	up to 390 L/min	up to 500 L/min
Purity N2 Min - Max	up to 99.5%			
N2 Dewpoint	up to -50°C			
Flow Rate Min - Max [†] (Dry Air L/min)	up to 210 L/min	up to 210 L/min	up to 210 L/min	up to 210 L/min
Air Dewpoint	-20°C			
Max Outlet Pressure	135Psi (Depending on Inlet Pressure)			
Inlet Air Quality Requirement	ISO 8573-1:2010 (1:4:1)			
Inlet Air Pressure Requirement	60 - 145Psi (Depending on Outlet Pressure requirements)			
Inlet Air Pressure Flow Rate ^{††}	262 L/min			
Voltage	100 - 230 VAC +/- 10%			
Frequency	50 / 60 Hz			
Current	0.5A @ 110V / 0.25A @ 230V			
Input Connection	C20 Plug			
Power Cord	C19 Socket to local connection			
Power Consumption	0.1 kW			
Operating Temperature	5°C - 30°C / 41°F - 86°F			
Pollution Degree	2			
Installation Category	II			
Dimensions mm (inches) W x D x H	405 (15.9) x 940 (37) x 995 (39.2)			
Weight Kg (Lbs)	75Kg (165.4lbs)	78.5Kg (173.1bs)	80Kg (176.4bs)	82.5Kg (181.9bs)
Shipping Weight Kg (Lbs)	92.5Kg (204bs)	95Kg (209.5bs)	97.5Kg (215bs)	100Kg (220.5.1bs)

[†]Dependant on inlet pressure, inlet/outlet flow and Inlet Air Quality

^{††} For Infinity XE users with the Dry Air option, please allow for an additional compressed air requirement of 262L/min to support the Dry Air output.

Ordering Information				
Part Number (Nitrogen Only)	3303147	3303148	3303149	3303150
Part Number (Nitrogen & Dry Air)	3303147-AD	3303148-AD	3303149-AD	3303150-AD
Annual Service Kit	Visit: www.peakscientific.com/ordering			
Fixed Price Preventative Maintenance				
Complete/Standard Maintenance Plan				

[PEAK Protected][™]

Peak Scientific gas generators define the benchmark in reliability, convenience and performance in laboratories around the world, and come backed by a 2 year warranty**. Beyond this period however you can ensure that you're investment continues to be **[Protected]** by our comprehensive generator care cover.

Our world-class aftercare support packages deliver a program of scheduled preventative maintenance whilst giving you the reassurance of instant access to worldwide technical support and priority on-site response in the untimely event of a breakdown.

Peak Scientific UK
Tel: +44 (0)141 812 8100
Fax: +44 (0)141 812 8200

Peak Scientific North America
Tel: +1 866 647 1649
Fax: +1 978 608 9503

For a full list of our worldwide office locations, please visit:

Web: www.peakscientific.com
Email: marketing@peakscientific.com

Peak Scientific's Quality Management System conforms to: ISO:9001:2008



FM 515973

Product Certifications

