

MS Bench (All Models)

Modular LC-MS bench system designed exclusively for SCIEX.

Part Number : See Reverse

Service Kit : See Reverse



Your local **gas generation** partner

Developed exclusively for SCIEX, the MS Bench SCI range provides a modular workstation with provision for either integrated gas generation or a noise abating enclosure for roughing pumps. MS Bench SCI is designed specifically for use with the current and latest mass spectrometers at SCIEX*.

Two variants of the MS SCI Bench are available, both identical in form factor, aesthetics and work surface. MS Bench (G) SCI features a self-contained gas generator, providing a reliable and cost-efficient source of both nitrogen (Curtain Gas™) and clean, dry oil-free air for source and exhaust gas at flows and pressures configured to meet SCIEX instrument requirements (excluding IVD medical devices). The other variant, the MS Bench SCI, comes without the gas generator, instead providing a compartment below the bench, suitable for housing up to two MS roughing pumps.



Applications

- MS Bench (G) SCI for SCIEX LC-MS instruments (excluding IVD medical device instruments)

Key Features

- Designed exclusively for SCIEX to provide modular bench solution for all SCIEX LC-MS instruments*

Noise abated compartment suitable for housing vacuum pump(s) (non generator variant only)

'Genius Inside': true plug & play gas generation (MS Bench (G) SCI 1 only).

No external compressed air source required.

Noise & vibration dampening, suitable for use as instrumentation bench* (*MS can only be placed on MS Bench with NO internal gas generator)

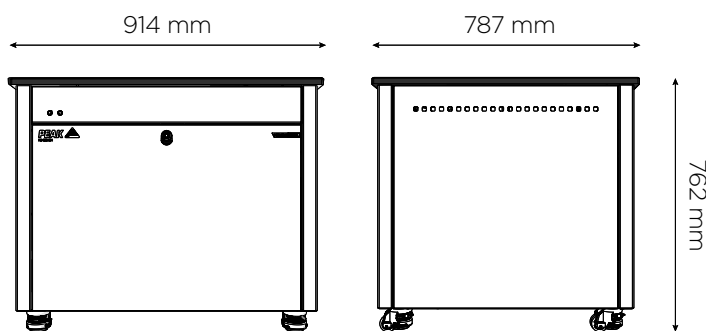
CSA / FCC / CE compliant

Chemical-resistant phenolic resin worktop

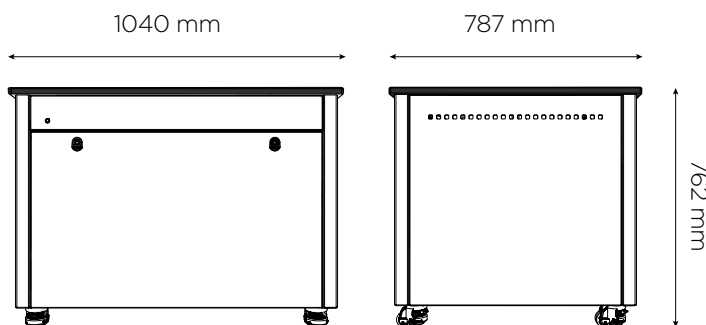
Self-levelling castor wheels for seamless installation with existing lab bench system

*suitable for all current and latest MS from SCIEX including the new 5500+, but excluding IVD medical device instrument. Floor-standing Triple TOFs can house vac. pumps in MS Bench SCI. Though ZenoTof 7600 can be supplied by the MS Bench (G) 1, it cannot be situated on top of any MS Bench.

MS Bench SCI 1, (G) SCI 1 & (G) SCI 2



MS Bench SCI 2



Technical Specifications	MS Bench SCI 1	MS Bench (G) SCI 1	MS Bench SCI 2	MS Bench (G) SCI 2
Minimum Operating Ambient Temperature	5°C (41°F)			
Maximum Operating Ambient Temperature	30°C (86°F)			
Curtain Maximum Flow [^]	N/A	19 L/min @ 4.5 bar (0.67 cfm @ 65 psi)	N/A	25 L/min @ 4.48 bar (0.882 cfm @ 65 psi)
Source Maximum Flow [^]		26 L/min @ 6.9 bar (0.92 cfm @ 100 psi)		26 L/min @ 6.89 bar (0.918 cfm @ 100 psi)
Exhaust Maximum Flow [^]		25 L/min @ 4.1 bar (0.88 cfm @ 60 psi)		25 L/min @ 4.13 bar (0.882 cfm @ 60 psi)
Particles		<0.01µm		<0.01µm
Phthalates		None		None
Suspended Liquids	None	None	None	
Fans	8 x Fans			
Electrical Requirements	IO: 85-264 VAC 50/60 Hz, 1 Amps	220 - 240v ±10% 50/60 Hz, 7 Amps	100 - 240v ±10% 50/60 Hz, 2 Amps	220 - 240v ±10% 50/60 Hz, 9 Amps
Power Consumption	200VA	1,100VA		
Maximum Heat Output	784 BTU/hr	3753 BTU/hr		
Noise Level	Noise abating to 54dB(A)	59dB(A)		
Usable Compartment Space (H x W x D)	580 x 650 x 470 mm 22.8 x 25.6 x 18.5"	640 x 290 x 680 mm 25.2 x 11.4 x 26.7"		
MS Bench Dimensions (H x W x D)	762 x 914 x 787 mm / 30 x 36 x 31"		762 x 1040 x 787 mm / 30 x 42 x 31"	762 x 914 x 787 mm / 30 x 36 x 31"
MS Bench Weight	103kg (227.1 lbs)	160kg (352.8 lbs)	103kg (227.1 lbs)	169kg (372.5 lbs)
Max Weight Load	272kg (599.7lbs)	215kg (474lbs)		

*NOTE - These performance characteristics are valid only when paired with an approved Sciex application. Please refer to current application matrix for a list of supported products.

Ordering Information				
Part Number	3302382	3302383		
Annual Service	visit: www.peakscientific.com/ordering			
Complete Maintenance Plan				

[PEAK Protected][™]

Peak Scientific gas generators define the benchmark in reliability, convenience and performance in laboratories around the world, and come backed by a 12 month warranty. Beyond this period however you can ensure that your investment continues to be **[Protected]** by our comprehensive generator care cover.

Our world-class aftercare support packages deliver a program of scheduled preventative maintenance whilst giving you the reassurance of instant access to worldwide technical support and priority on-site response in the untimely event of a breakdown.

Peak Scientific UK
Tel: +44 (0)141 812 8100
Fax: +44 (0)141 812 8200

Peak Scientific North America
Tel: +1 866 647 1649
Fax: +1 978 608 9503

Peak Scientific China
Tel: +86 21 5079 1190
Fax: +86 21 5079 1191
For a full list of our worldwide office locations, please visit:

Web: www.peakscientific.com
Email: discover@peakscientific.com

Peak Scientific's Quality Management System conforms to:



Product Certifications

