

Infinity 1046

Nitrogen & Air Generator for Perkin Elmer QSight Triple Quad

Part Number : 3302084

Service Kit : See Reverse



Your local **gas generation** partner

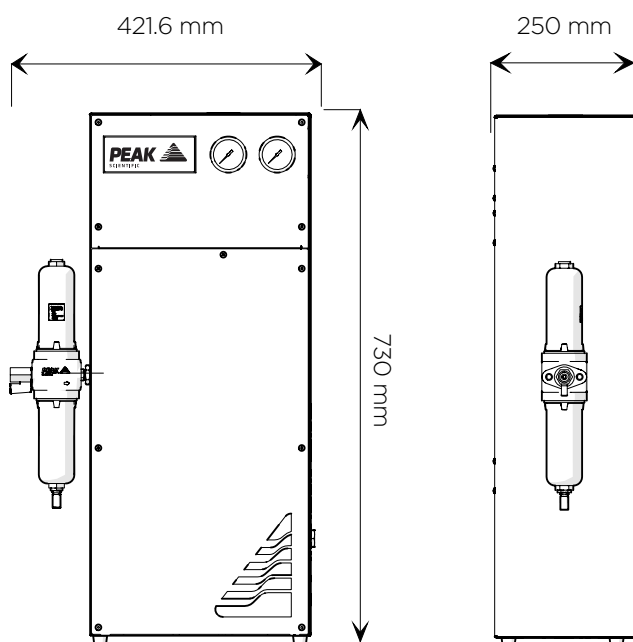
Description

Generating up to 20 L/min nitrogen and 70 L/min dry air, the Infinity 1046 has been specifically designed to support the Perkin Elmer QSight Triple Quad, whether single/dual source configuration.

The Infinity Series are compressor-free gas generators which require a clean source of in-house air to operate effectively. With very few moving parts, these generators are effectively silent in operation and need only minimal care to ensure continued high performance and extended product life.

Applications

- Nitrogen & Air Generator for Perkin Elmer QSight Triple Quad



Key Features

- Delivers nitrogen (drying gas) at up to 20 L/min and air (source gas) at up to 70 L/min
- Capable of supplying both single and dual source QSight models
- 24/7 operation at optimum performance if required
- Highly economical source of nitrogen and air with low lifetime running costs
- Minimal set-up required
- Completely silent in operation
- 12 month comprehensive on-site warranty

* Modified Infinity 1045 (1046)

Technical Specifications

	Infinity 1046
Max Flow Rate (Nitrogen)	20 L/min
Max Flow Rate (Air)	70 L/min
Max Gas Outlet Pressure	110 psi
Min Air Inlet Flow Rate	270 L/min
Min Inlet Air Quality	ISO8573 - 1:2010 Class 1.4.1
Min/Max Air Inlet Pressure	8.3 - 10 bar / 120 - 145 psi
Min/ Max Operating Temperature	5°C - 30°C / 41°F - 86°F
Particles	<0.01µm
Suspended Liquids	None
Electrical Requirements	None
Generator Dimensions (HxWxD)	730 x 421.6 x 250 mm/ 28.8 x 16.6 x 9.9"
Generator Weight	23kg (50.8 lbs)

Ordering Information

Part Number	3302084
Annual Maintenance Kit	visit: www.peakscientific.com/ordering
Standard Maintenance Plan	
Complete Maintenance Plan	

[PEAK Protected]TM

Peak Scientific gas generators define the benchmark in reliability, convenience and performance in laboratories around the world, and come backed by a 12 month warranty. Beyond this period however you can ensure that your investment continues to be **[Protected]** by our comprehensive generator care cover.

Our world-class aftercare support packages deliver a program of scheduled preventative maintenance whilst giving you the reassurance of instant access to worldwide technical support and priority on-site response in the untimely event of a breakdown.

Note: Infinity 1046 generators do not include internal compressors. An external/existing source of compressed air is required, conforming to ISO 8573-1:2010 Class 1.4.1.

Talk to your local Peak representative for assistance if you are unsure or if you require a compressor solution.

Peak Scientific UK
Tel: +44 (0)141 812 8100
Fax: +44 (0)141 812 8200

Peak Scientific North America
Tel: +1 866 647 1649
Fax: +1 978 608 9503

Peak Scientific China
Tel: +86 21 5079 1190
Fax: +86 21 5079 1191
 For a full list of our worldwide office locations, please visit:

Web: www.peakscientific.com
Email: marketing@peakscientific.com

Peak Scientific's Quality Management System conforms to: ISO:9001:2008

