

Genius 1051

Nitrogen & Air Generator for Shimadzu LC-MS

Part Number : 10-9558

Service Kit : 08-4824



Your local **gas generation** partner

Description

Engineered specifically for the Shimadzu LCMS-8045, LCMS-8050 and LCMS-8060 instruments, the Genius 1051 provides sufficient nitrogen and dry air when these instruments are operated in “standard gas delivery mode”. If operating in “high flow gas delivery mode” the Genius 3051 is the most suitable gas generator solution.

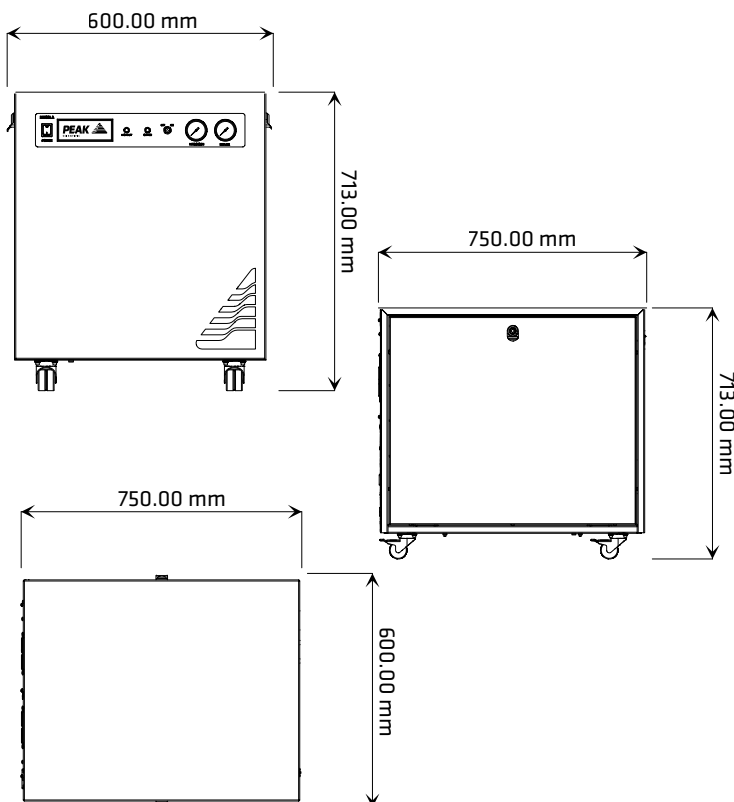
With one output of phthalate free, high purity nitrogen and one output of dry air, this tailored solution can deliver any combination of gases up to a total of 25L/min and has been tested and approved by Shimadzu for the LCMS-8045, LCMS-8050 and LCMS-8060.

The Genius 10 series models are compressor based systems Peak manufacture utilising Pressure Swing Adsorption and Carbon Molecular Sieve to ensure high performance and supply of analytical instrument grade nitrogen.



Applications

- 1 x Shimadzu LCMS-8045 in standard gas delivery mode
- 1 x Shimadzu LCMS-8050 in standard gas delivery mode
- 1 x Shimadzu LCMS-8060 in standard gas delivery mode



Genius 1051 Dimensions

Key Features

- Shimadzu approved gas solution for LCMS-8050 and LCMS-8060
- Self-contained solution with integrated compressors, no need for an external air supply
- Highly economical source of nitrogen/dry air with low lifetime running costs
- Latest generation high performance compressors for longer service interval
- Easy to use, gas at the push of a button
- Wheels make it easy to manoeuvre generator around the lab
- 12 month comprehensive on-site warranty

Technical Specifications	Genius 1051
Max Flow Rate	up to 25 L/min /0.88 CFM of Air & Nitrogen combined
Max Pressure	6.9 bar / 100 psi
Max Relative Humidity	80% Non-Condensing
Max Altitude	2000 Metres
Particles	< 0.01µm
Gas Outlets	2x 1/4" BSPP
Phthalates	None
Suspended Liquids	None
Operating Temperature	5°C - 35°C / 41°F - 95°F
Electrical Requirements	230v 50/60Hz 7.0A
Power Consumption	1610 Watts
Generator Dimensions (HxWxD)	713 x 600 x 750 mm/28.1 x 23.6 x 29.5 in
Generator Weight	118.5 Kg (261 lbs)

Ordering Information	
Part Number	10-9558
Annual Service	08-4824
Standard Maintenance Plan	09-3110
Complete Maintenance Plan	09-3010
Step-Up Transformer For Use With 208V Electrical Supply	06-3200

[PEAK Protected]TM

Peak Scientific gas generators define the benchmark in reliability, convenience and performance in laboratories around the world, and come backed by a 12 month warranty. Beyond this period however you can ensure that your investment continues to be **[Protected]** by our comprehensive generator care cover.

Our world-class aftercare support packages deliver a program of scheduled preventative maintenance whilst giving you the reassurance of instant access to worldwide technical support and priority on-site response in the untimely event of a breakdown.

Peak Scientific UK
 Tel: +44 (0)141 812 8100
 Fax: +44 (0)141 812 8200

Peak Scientific North America
 Tel: +1 866 647 1649
 Fax: +1 978 608 9503

For a full list of our worldwide office locations, please visit:

Web: www.peakscientific.com
 Email: marketing@peakscientific.com

Peak Scientific's Quality Management System conforms to: ISO:9001:2008



Product Certifications

