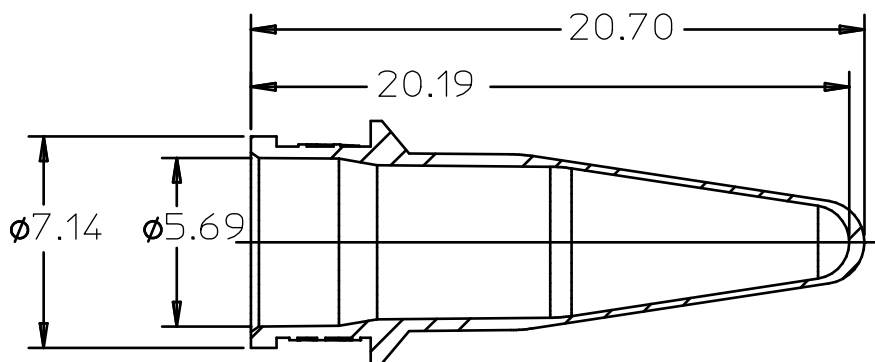
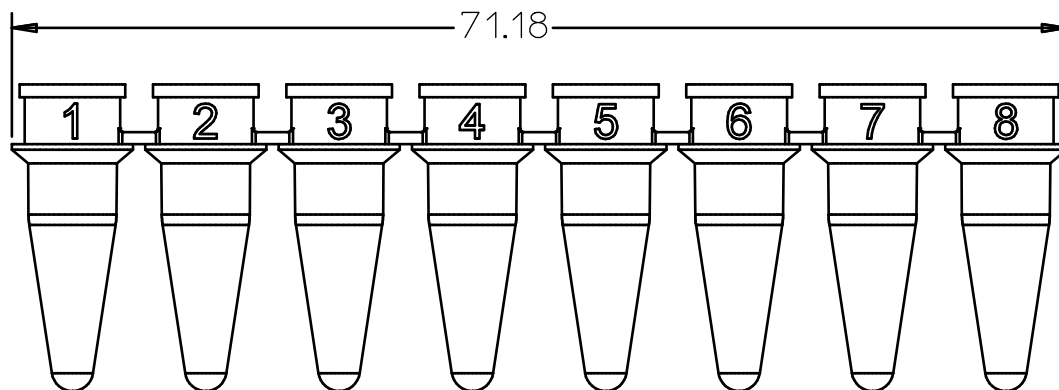
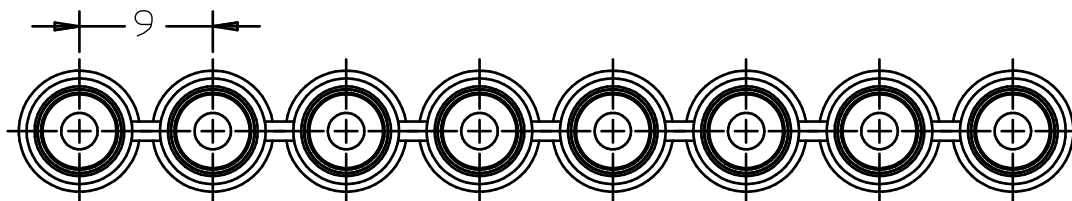




Valid for Item-No.: 673210, 673273, 673274, 673275, 673276, 673277, 673271,



"All dimensions in mm"

Customer drawing subject to change without notice!

Uncontrolled Copy

Prior Issue	Drawn	Approved	Released	CONFIDENTIAL: Information contained in this document or drawing is confidential and proprietary to Greiner Bio-One GmbH. This document may not be reproduced for any reason without written permission from Greiner Bio-One GmbH. All rights of design, invention, and copyright are reserved.
Revision 3	Date 2011/04/29	Date 2015/11/23	Date 2015/11/23	
Date 2015/08/06	Name forb	Name forb	Name sonntag	