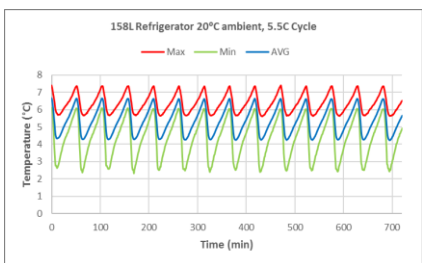
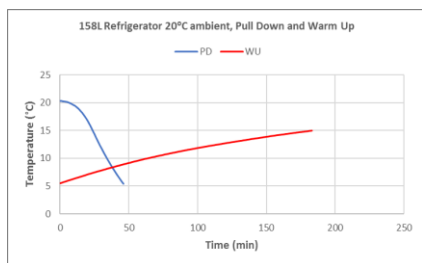
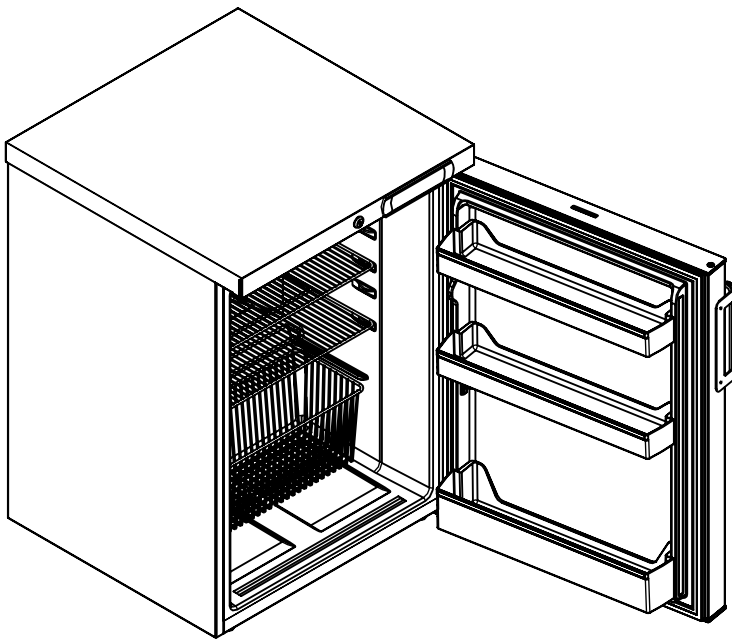


Specifications	Catalog/Model Number
	158R-AEW-TS
	Application, Rating and Electrical Data
Application	General Purpose Undercounter Lab Refrigerator (Non-Flammable)
Storage Volume	Gross (158L) / Net (154L)
Set Point / Temperature Range	+5.5°C / +2°C to +10°C
Electrical Power	220-240V, 50Hz
Instrument Rated Current	0.73 A
Building Supply Rating	Breaker 16 Amps / 230V±10%VOLT While Operating
Power Plug/Power Cord Length	13A EU Plug / 2M Long (Ships with UK Adapter)
Agency Listings	CE
Indoor/Outdoor Usage	Indoor Use Only
Application Environment	Non-Corrosive, Non-Flammable, Non-Explosive, Good Air Ventilation, 15°C - 32°C (59°F - 90°F)
Refrigeration Configuration	
Refrigeration System	Vapor Compression System
Compressor	(1) Hermetically Sealed Compressor
Evaporator Type	Aluminum Tube Serpentine Coil (Concealed)
Condenser Type	Stainless Steel Tube Serpentine Coil (Concealed)
Expansion Device	Capillary Tube
Defrost Method	Automatic (OFF Cycle Defrost)
Refrigerant (Charge)	R600a (28g) / Environmentally Safe / Flammable
Controller/Electrical System Configuration and Features	
Controller Level	Below Eye Level
Power Switch	No
Controller Type	3 DIGIT 17 mm X 9 mm LED with Keypad
Control Sensor	(1) NTC Air Sensor (Thermistor)
Compressor Safeguard	High Temp Cut-Out
Remote Alarm Terminals	Yes
Alarms	Yes, Audible and Visual (Temperature Range, Door Ajar)
Data Logger	No
Dimensions and Construction	
Interior Dimensions (W x D x H)	500 mm x 480 mm x 718 mm (STEP 500 mm x 210 mm x 150 mm)
Exterior Dimensions (W x D x H)	599 mm x 658 mm x 850 mm
Insulation	Polyurethane Foam (with Cyclopentane Blowing Agent)
Door Perimeter Heater	No
Shelves	(3) Adjustable Wire Shelves, (1) Wire Basket, (3) Adjustable Plastic Door Baskets
Leveling Feet	(4) Adjustable
Ship Weight	37.8 kg
Access port	Yes, 16 mm, Rear LH Corner
Typical Performance Characteristics	

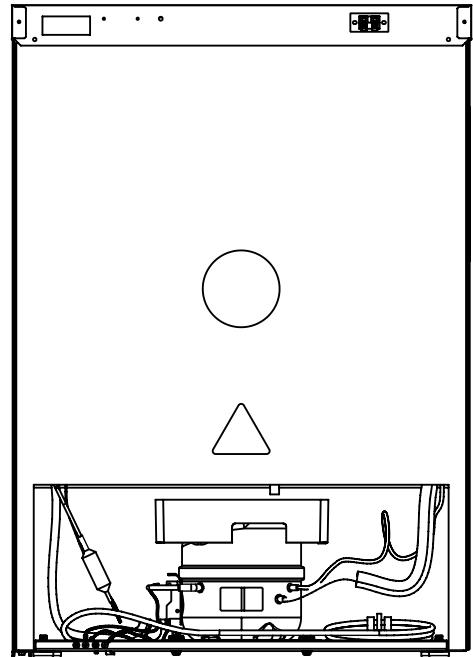


Test Unit MSO Number:	20013-A-1-1
Cabinet Load:	Unloaded
Average Cabinet Temp at 5.5C Cycle (C):	5.11
Average Uniformity (C):	1.71
Average Stability (C):	2.48
Peak Variation from Setpoint (C):	+1.52 / -3.05
1-min Door Opening Recovery (min):	11
Duty Cycle (%):	18
Cycle (ON/OFF) (min):	8 / 38
Energy Consumption (KW-hr/day):	0.25
Heat Rejection Rate (Btu/hr):	35.5
Pull Down Time (15C to 5.5C) (min):	24
Warm Up Time (5.5C to 15C) (min):	185
Sound (dBA)	40

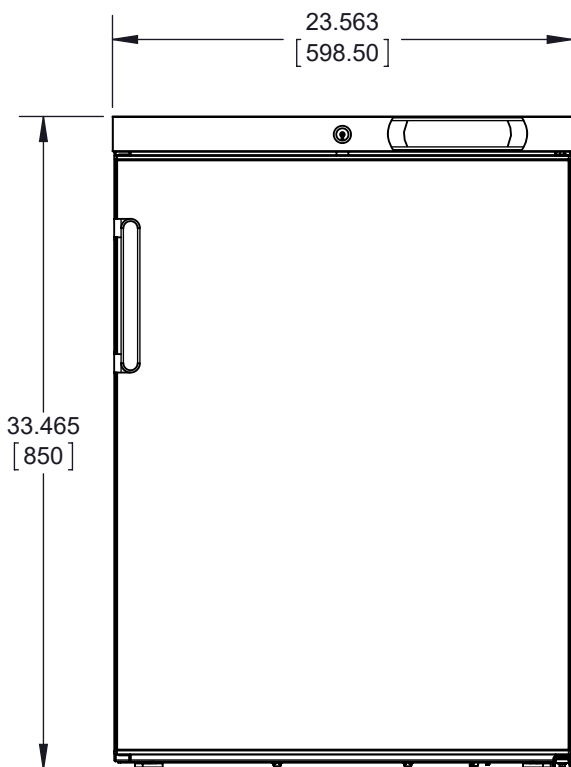
- Performance is nominal and individual units may vary.
- Refrigerator performance will differ due to product amount, product size and operating conditions.
- Continuous product enhancements may, without notice, result in amendments or omissions to this specification. Thermo Scientific cannot accept responsibility for damage, injury, loss or expenses resulting from misapplication of the information herein.



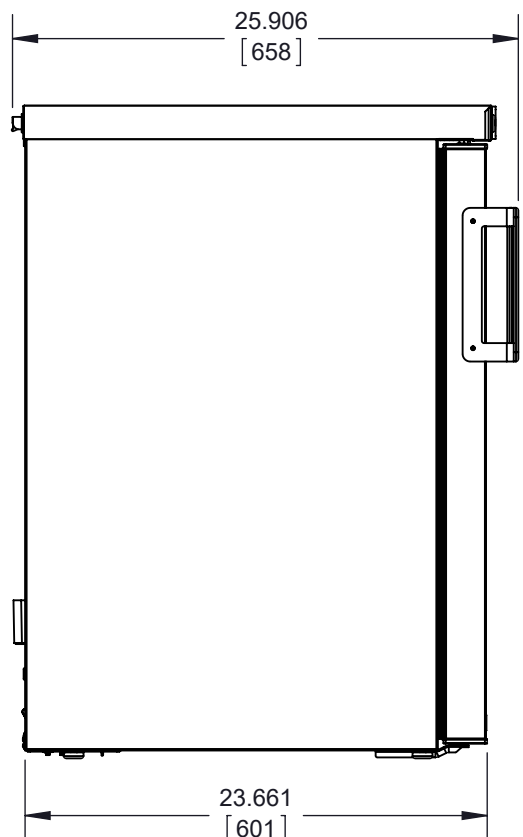
ISOMETRIC VIEW WITH DOOR OPEN



REAR VIEW



FRONT VIEW



SIDE VIEW