



**Technical Data Sheet**  
**Thermo Scientific Ultra-Low Temperature Freezer**  
 Upright Model Release - 81  
 Thermo Fisher Scientific, Asheville, North Carolina

**ENERGY STAR® MDEC**  
 (Maximum Daily Energy Consumption)



**0.49 kW-hr/day/cuft**

**Model Number**

Thermo Scientific TSX40086V

**Application, Rating and Electrical Data**

Application	Storage of General (non-flammable) Laboratory Materials
Storage Volume	19.4 cu. ft. (549 liters), 400 Standard 2" Boxes
Temperature Rating	-50°C to -86°C
Electrical Power	230V, 50, 1 Phase
Instrument Rated Current	4.0 AMP
Building Supply Rating	10.0A dedicated grounded circuit
Power Plug / Power Cord	Country Dependant plug / IEC Cords, 10 ft (3.05 m)
Agency Listings	UL, cUL, CE
Application Environment	Non-Corrosive, Non-Flammable, Non-Explosive Indoor Use Only, Ventilated 15 - 32°C (59 - 90°F)

**Dimensions and Construction**

Interior Dimensions (H x D x W)	51.2 x 27 x 23.1 in. (1300 x 686 x 587 mm)
Exterior Dimensions (H x D x W)	78 x 37.8 x 28.3 in. (1981 x 960 x 719 mm)
Shipping Dimensions	83.12 x 42.75 x 36.23 in. (2111 x 1086 x 920 mm)
Shipping Weight / Net Weight	640 lbs. (290 kg) / 548 lbs. (248 kg)
Insulation	Vacuum Insulation Panels with High-Density Water-Blown Polyurethane Foam
Door Seal	Silicone-Based Gasket Seal with Electrical Door Perimeter Heater
Shelves	3 Stainless Steel Adjustable Shelves in 1" (25mm) Increments
Shelf Capacity	Max. Capacity per Shelf: 165 lbs. (73.4 kg)
Interior / Exterior Material	Painted Steel (Stainless Steel Option) / Painted Steel
All-Direction Casters	Standard with Locks
Other Options	LN2 or CO2 Back Up System HID Controlled Access, Chart Recorder

**Electrical System Configuration**

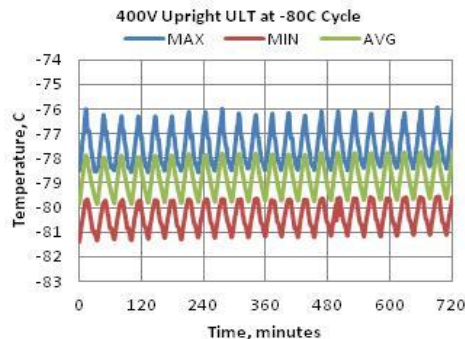
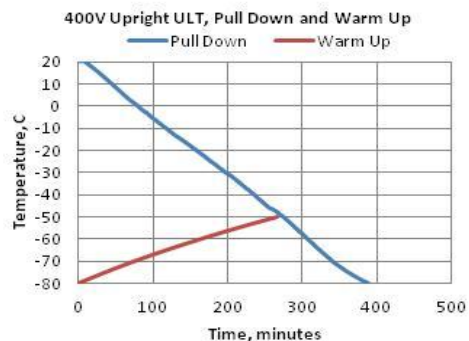
Controller Level	Top
Power Switch	(Front) Soft-touch / (Rear) Main Circuit Breaker
Controller Type	Capacitive Touch Screen Input and Display with USB Data Retrieval
Setpoint Security	Yes
Compressor Safe Guard	High Temp Cutout Switch, Current, Logic protection
Control Sensor	Single RTD (1000 ohm Platinum RTD)
Connectivity / Remote Outputs	Wi-Fi Enabled, RS485/4-20mA output
Thermo Fisher Cloud	InstrumentConnect™ Remote Monitoring
Adjustable Warm/Cold Alarms	Fully Adjustable
Auto-Voltage Safeguard	Buck/Boost System

**Refrigeration Configuration**

Refrigeration System	Two Stage Cascade System
Compressor/Number	Industrial Rated, Hermetically Sealed / 2
Compressor Capacity*	525W (max). VCC
Condenser Type	Enhanced Micro-Channel and Forced-Air Cooled
Expansion Device	Capillary Tube
Evaporator Type	Enhanced Cold Wall Design
Defrost Method	Manual Defrost
Refrigerant (1st/2nd Stage)	R290 / R170+R290 Mix
Environmental Effects	GWP: 3 (R290) / 6 (R170) ODP: 0 (R290); 0 (R170)
Flammable	Yes

**Typical Performance Characteristics in 20 °C Ambient**

<b>Standard Performance Mode</b>	Energy Consumption (kW-hr/day)	7.9
	Heat Rejection Rate (Btu/hr)	1122
	Peak Variation from Setpoint (°C)	+6.0 / +1.1
<b>High Performance Mode</b>	Energy Consumption (kW-hr/day)	9.4
	Heat Rejection Rate (Btu/hr)	1332
	Peak Variation from Setpoint (°C)	+4.0 / -1.4
	Sound (dBA)	47.5
	1-min Door Opening Recovery to -75°C (min)	17
	Average Uniformity at -80°C (°C)	2.9
	Average Stability at -80°C (°C)	2.3
	Pull Down Time (to -80°C) (hrs)	6.5
	Warm Up Time (-80°C to -50°C) (min)	267

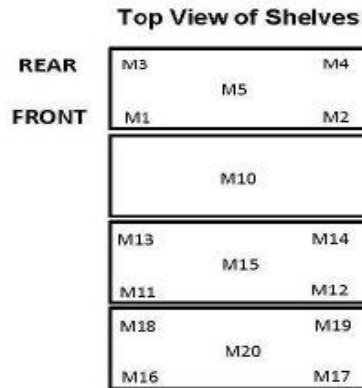


- 1) Performance is nominal and individual units may vary.
- 2) Freezer performance will differ due to product amount, product size and operating conditions.
- 3) Continuous product enhancements may, without notice, result in amendments or omissions to this specification. Thermo Scientific cannot accept responsibility for damage, injury, loss or expenses resulting from misapplication of the information herein.

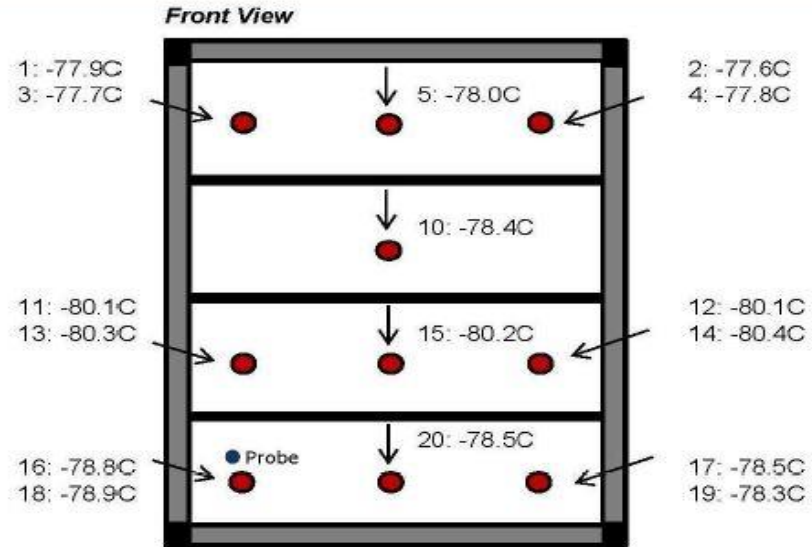
\* Manufacturer measured compressor capacity taken at standard -35°C/40°C (Evap/Cond) condition.

© 2018 Thermo Fisher Scientific Inc. All rights reserved. All trademarks are the property of Thermo Fisher Scientific Inc. and its subsidiaries. Specifications, terms and pricing are subject to change.

Not all products are available in all countries. Please consult your local sales representative for details.



**Cabinet Average:** -78.8 C  
**Probe Average:** -78.6 C  
**Peak Variation:** +4.0 C / -1.4 C

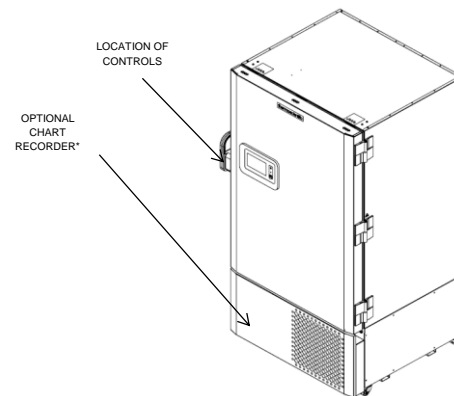
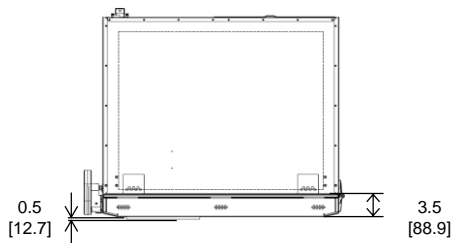
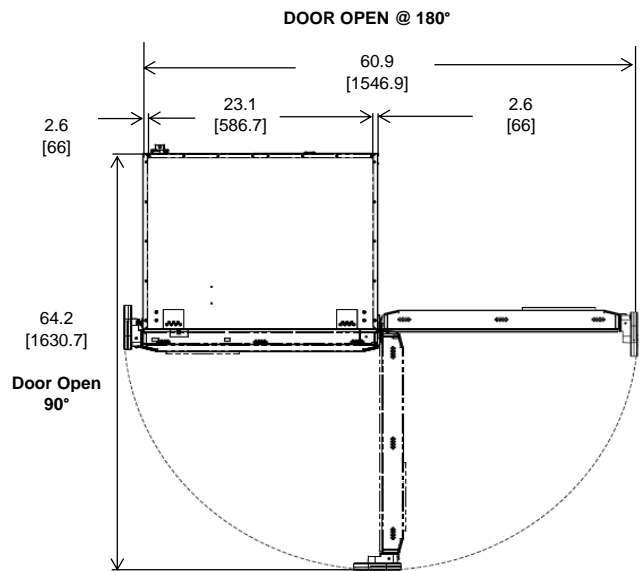


19394-PP-T1

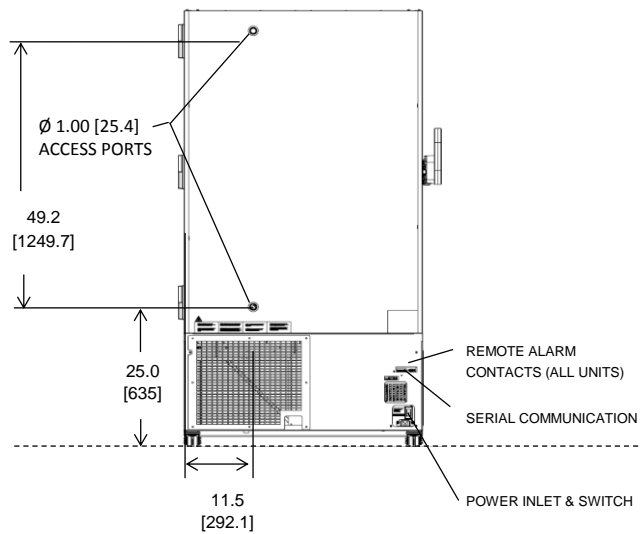
	M1	M2	M3	M4	M5	M10	M11	M12	M13
Avg	-77.9	-77.6	-77.7	-77.8	-78	-78.4	-80.1	-80.1	-80.3
Max	-76.7	-76.3	-76	-76	-76.6	-77.1	-79.3	-78.6	-79.4
Min	-79	-78.7	-78.8	-79.1	-79	-79.7	-81.2	-81.3	-81.3

	M14	M15	M16	M17	M18	M19	M20
Avg	-80.4	-80.2	-78.8	-78.5	-78.9	-78.3	-78.5
Max	-79.5	-79.3	-78.1	-77.8	-77.4	-76.9	-77.7
Min	-81.4	-81.1	-79.9	-79.5	-80.6	-80	-79.7

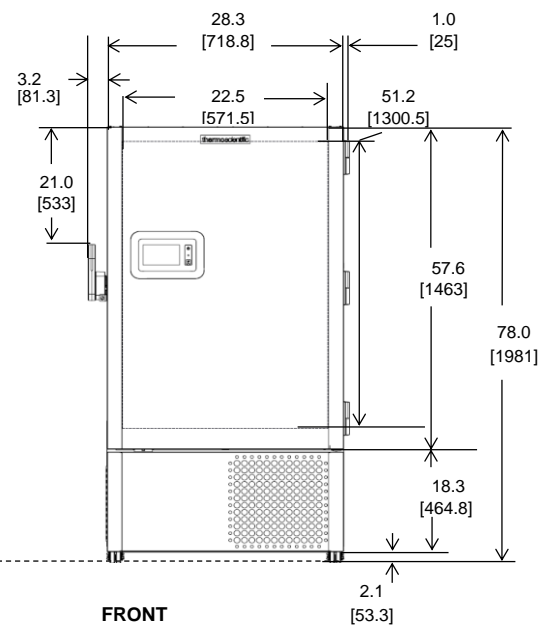
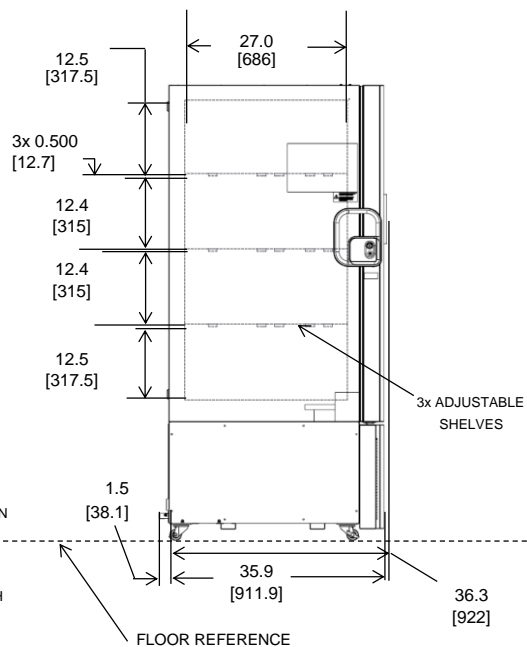
Thermo Fisher Scientific Proprietary and Confidential



\*Chart recorder/Back up systems are stand alone on 300 models.



**BACK**



**NOTE: DUAL DIMENSION IS INCH OVER METRIC**

DO NOT USE FOR ENGINEERING PURPOSES. SUBJECT TO CHANGE WITHOUT NOTICE.

**thermo**  
scientific

**19 cuft Upright Freezer**  
2 Inner Doors  
Single Outer Door  
Top Mount Controls