

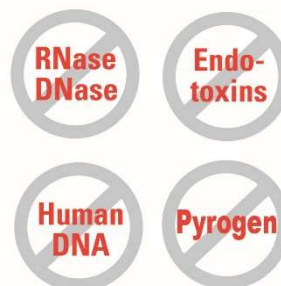
TECHNICAL DATASHEET

PART NUMBER

713252



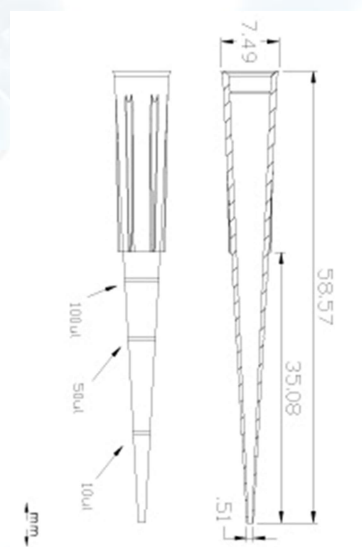
The ISO8655 norm guarantees that the tips used do not alter the technical characteristics of the pipettes, as given by the manufacturer.



ClearLine Tips

- ✓ In clear polypropylene
- ✓ Store in a clean and dry place, at room temperature
- ✓ Each batch number is certified : RNase, DNase free, Human DNA free, PCR inhibitor free and pyrogen free
- ✓ Traceability : 5 digit batch number, part number, volumetric tips, volumetric tips and their expiration date.

Part number	713252
Packaging	ClearLine plus rack with hinged lid
Volume	300 µl
Graduation	10, 50, 100
Length	58,5 mm
Color	Natural
Filter	No
Low Retention	No
Sterility	Yes
Autoclavable	Yes



Sales units :

960 tips