



FRONTIER™ 5515 & 5515R

High-Speed Micro Centrifuges



Smooth and Dependable High-Speed Micro Centrifuges for Liquid Separation Applications

Frontier™ 5515 and 5515R Benchtop Micro Centrifuges provide high-speed operation for spin-down applications requiring a wide variety of tube volumes and capacities. With refrigeration capabilities (FC5515R), 10 acceleration/deceleration settings, multiple safety features, and an unmatched capacity, Frontier™ provides stable liquid separation for applications requiring high-speed operation.

Unique Features:

- Excellent functionality when used with rotors compatible with 1.5/2.0 ml or 5 ml microtubes with high throughput & BIOSEALS options, spin columns, PCR strips, cryo tubes & hematocrit capillaries.
- Designed for ease of operation, Frontier™ Micro centrifuges feature convenient control on an intuitive interface, which allows for responsive operation – even when wearing gloves.
- Enclosing all their functionalities within a small footprint, Frontier™ Micro centrifuges save valuable space on the lab bench.

FRONTIER™ 5515 & 5515R High-Speed Micro Centrifuges

Easy-to-Use Control Panel

- Easy-to-turn rotary knob for parameter adjustments
- Waterproof keypad provides protection that helps significantly increase the lifespan of the product
- One-touch toggling between speed, g-force, and temperature controls (R model only)
- LCD display which projects information in real-time
- View and adjust user parameters from the main screen; no need to navigate through sub-screens



High-Performance Driven by Sophisticated Technology

- Powerful induction motor reaches speeds up to 15,200 RPM in less than 16 seconds
- Maximum g-force of 21,953 RCF
- 10 acceleration/deceleration settings
- 99 memory sets for commonly-used speed, time, and temperature settings (R Model Only)
- R models has refrigeration capabilities from 40 °C to -20 °C
 - Cools down from 23 °C to 4 °C in less than 10 minutes
 - Pre-cool feature quickly lowers the temperature of rotor and chamber before a run



Safety Features that Prevent Injury

- Motorized lid-locking system prevents centrifuge from opening during operation
- Rotor imbalance sensing system stops the motor should the rotors become imbalanced, protecting the user from spinning rotors





Flexibility for Varied Centrifugation Needs


- Maximum capacity of 44 x 1.5/2 ml and 12 x 5 ml tubes
- Only centrifuge in its class compatible with 6 rotors (7 rotors on 5515 model), including a PCR strip tube rotor
- The most economical centrifuge on the market to include a unique 5 ml tube rotor
- The signature snap-on rotor and lid locking system allows for quick installation of rotors with just one press of a button




FRONTIER™ 5515 & 5515R Rotors and Adapters


|  | Item number | 30372717 | | | |
|--|-----------------------------------|--------------------------------|----------|-------------------------|-------------------|
| | Description | Rotor Angle 44 x 1.5/2.0 ml V1 | | | |
| | Compatible with | FC5515 | | FC5515R | |
| | Max. Speed | 15,000 rpm | | 15,000 rpm | |
| | Max. RCF | 21,127 x g / 21,379 x g | | 21,127 x g / 21,379 x g | |
| Accessories | | | | | |
| Order No. | Description | Vol./Tube | Diameter | Tube type | No.of Tubes/Rotor |
| Without Adapter | Rotor Angle 44 x 1.5/2.0 ml V1 | 1.5/2.0 ml | 11 mm | Microtube | 44 |
| 30130885 | Adapter 1 x 0.5 ml D8 mm 6/pk | 0.5 ml | 8 mm | Microtube | 44 |
| 30130884 | Adapter 1 x 0.2/0.4 ml D6 mm 6/pk | 0.2/0.4 ml | 6 mm | Microtube | 44 |


|  | Item No. | 30130872 | | | |
|--|--------------------------------------|--------------------------------------|----------|------------|-------------------|
| | Description | Rotor Angle 30 x 1.5/2.0 ml Sealable | | | |
| | Compatible with | FC5515 | | FC5515R | |
| | Max. Speed | 13,500 rpm | | 13,500 rpm | |
| | Max. RCF | 19,151 x g | | 19,151 x g | |
| Accessories | | | | | |
| Order No. | Description | Vol./Tube | Diameter | Tube type | No.of Tubes/Rotor |
| Without Adapter | Rotor Angle 30 x 1.5/2.0 ml Sealable | 1.5/2.0 ml | 11 mm | Microtube | 30 |
| 30130885 | Adapter 1 x 0.5 ml D8 mm 6/pk | 0.5 ml | 8 mm | Microtube | 30 |
| 30130884 | Adapter 1 x 0.2/0.4 ml D6 mm 6/pk | 0.2/0.4 ml | 6 mm | Microtube | 30 |


|  | Item number | 30642371 | | | |
|--|---|---|----------|------------|-------------------|
| | Description | Rotor Angle 24 x 1.5/2.0 ml BIOSEALS V2 | | | |
| | Compatible with | FC5515 | | FC5515R | |
| | Max. Speed | 15,000 rpm | | 15,000 rpm | |
| | Max. RCF | 21,379 x g | | 21,379 x g | |
| Accessories | | | | | |
| Order No. | Description | Vol./Tube | Diameter | Tube type | No.of Tubes/Rotor |
| Without Adapter | Rotor Angle 24 x 1.5/2.0 ml BIOSEALS V2 | 1.5/2.0 ml | 11 mm | Microtube | 24 |
| 30130885 | Adapter 1 x 0.5 ml D8 mm 6/pk | 0.5 ml | 8 mm | Microtube | 24 |
| 30130884 | Adapter 1 x 0.2/0.4 ml D6 mm 6/pk | 0.2/0.4 ml | 6 mm | Microtube | 24 |

|  | Item number | 30130873 | | | |
|---|---------------------------------------|-----------------------------------|----------|--------------------------|-------------------|
| | Description | Rotor Angle 12 x 5 ml FA Sealable | | | |
| | Compatible with | FC5515 | | FC5515R | |
| | Max. Speed | 14,500 rpm | | 14,500 rpm | |
| | Max. RCF | 19,978 x g | | 19,978 x g | |
| Accessories | | | | | |
| Order No. | Description | Vol./Tube | Diameter | Tube type | No.of Tubes/Rotor |
| Without Adapter | Rotor Angle 12 x 5 ml FA Sealable | 5 ml | 17 mm | Microtube | 12 |
| 30130886 | Adapter 1 x 1.5/2.0 ml D11 mm 6/pk | 1.5/2.0 ml | 11 mm | Microtube | 12 |
| 30130887 | Adapter 1 x 1 ml D12.6 mm Cryo 6/pk | 1 ml | 12.6 mm | Cryo Tube - Flat Bottom | 12 |
| 30130888 | Adapter 1 x 1.8 ml D12.6 mm Cryo 6/pk | 1 ml | 12.6 mm | Cryo Tube - Round Bottom | 12 |

FRONTIER™ 5515 & 5515R Rotors and Adapters

| | | | | | |
|--|-----------------------------------|-----------------------------------|------------|---------------|-------------------|
|  | Item number | 30130874 | | | |
| | Description | Rotor Angle 4 x 8-Place PCR Strip | | | |
| | Compatible with | FC5515 | FC5515R | | |
| | Max. Speed | 15,000 rpm | 15,000 rpm | | |
| | Max. RCF | 15,343 x g | 15,343 x g | | |
| Accessories | | | | | |
| Order No. | Description | Vol./Tube | Diameter | Tube type | No.of Tubes/Rotor |
| Without Adapter | Rotor Angle 4 x 8-Place PCR Strip | 0.2/0.4 ml | - | 8-w PCR Strip | 32 |

| | | | | | |
|--|--------------------------------------|--------------------------------------|----------|-------------|-------------------|
|  | Item number | 83041007 | | | |
| | Description | Rotor Hematocrit 24 x Capillaries V2 | | | |
| | Compatible with | FC5515 | FC5515R | | |
| | Max. Speed | 13,000 rpm | - | | |
| | Max. RCF | 16,058 x g | - | | |
| Accessories | | | | | |
| Order No. | Description | Vol./Tube | Diameter | Tube type | No.of Tubes/Rotor |
| Without Adapter | Rotor Hematocrit 24 x Capillaries V2 | - | 1.9 mm | Capillaries | 24 |

| | | | | | |
|--|--|--|------------|-------------|-------------------|
|  | Item number | 83041050 | | | |
| | Description | Rotor Angle 24 x 2.0 ml Spin Column V1 | | | |
| | Compatible with | FC5515 | FC5515R | | |
| | Max. Speed | 13,500 rpm | 13,500 rpm | | |
| | Max. RCF | 17,317 x g | 17,317 x g | | |
| Accessories | | | | | |
| Order No. | Description | Vol./Tube | Diameter | Tube type | No.of tubes/rotor |
| Without Adapter | Rotor Angle 24 x 2.0 ml Spin Column V1 | 2 ml | 11 | Spin Column | 24 |

FRONTIER™ 5515 & 5515R High-Speed Micro Centrifuges

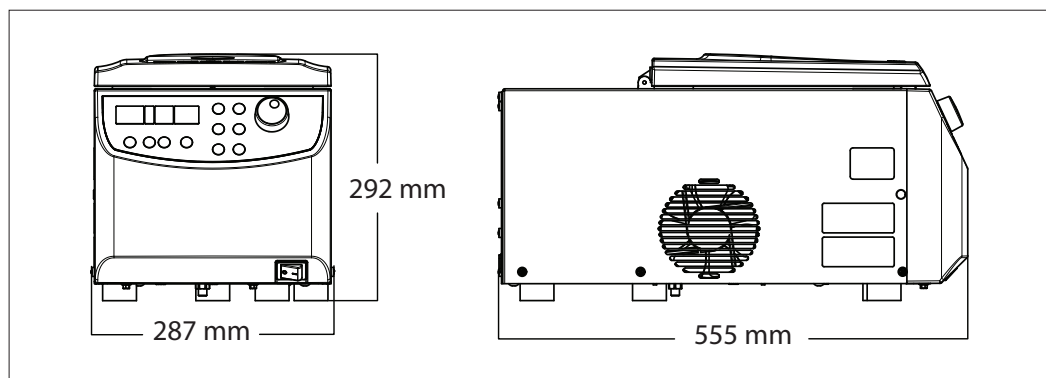
Specifications

| Model | FC5515R | | FC5515 | |
|---------------------------------|---|----------------|---|----------------|
| Speed Range | 200 rpm – 15,200 rpm; 10 rpm/set | | 200 rpm – 15,200 rpm; 10 rpm/set | |
| Maximum RCF | 21,953 x g; 10 x g/set | | 21,953 x g; 10 x g/set | |
| Maximum Capacity (Rotor) | 44 x 1.5/2.0 ml; 12 x 5 ml | | 44 x 1.5/2.0 ml; 12 x 5 ml | |
| Temperature Range | -20 ° to 40 °C, 1 °C/set | | Air cool | |
| Running Time | 10 sec to 99 hr 99 min 59 sec or continuous | | 10 sec to 99 hr 99 min 59 sec or continuous | |
| Noise Level (varies by rotor) | ≤ 57 + 2 dB(A) | | ≤ 60 + 2 dB(A) | |
| AC Power | 230 V/50-60 Hz | 120 V/50-60 Hz | 230 V/50-60 Hz | 120 V/50-60 Hz |
| Fluctation | ± 10 % | ± 10 % | ± 10 % | ± 10 % |
| Current Consumption | 2.4 A | 5.1 A | 1.3 A | 2.3 A |
| Power Consumption | 500 W | 560 W | 270 W | 280 W |
| ECM | EN/IEC 61326-1 Class B emissions, Basic immunity FCC Class B emissions | | EN/IEC 61326-1 Class B emissions, Basic immunity FCC Class B emissions | |
| Dimensions (W x D x H) | 287 x 561 x 292 mm | | 287 x 393 x 292 mm | |
| Net Weight (without rotor) | 35 kg | | 17 kg | |
| Shipping Dimensions (W x D x H) | 400 x 660 x 520 mm | | 400 x 545 x 410 mm | |
| Shipping Weight (without rotor) | 44 kg | | 20 kg | |

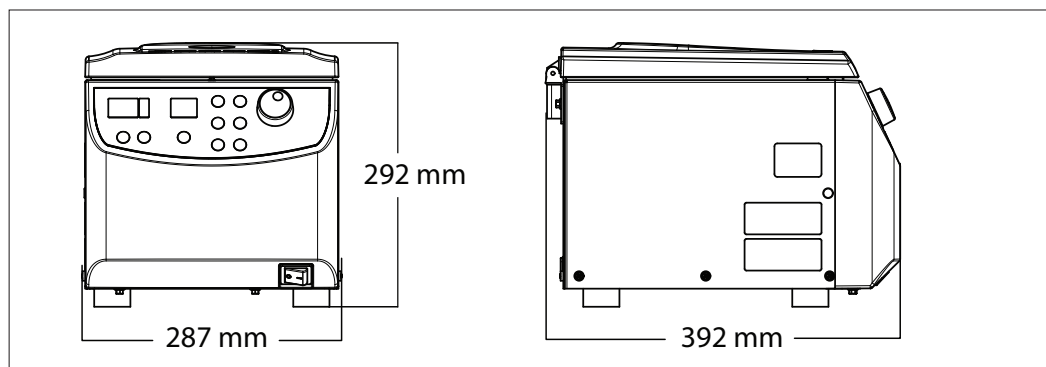
Compliance

- **Product Safety:** IEC/EN 61010-1; IEC/EN 61010-2-020
- **Electromagnetic Compatibility:** IEC/EN 61326-1 Class B, Basic environments
- **Compliance Marks:** CE

Outline Dimensions



Frontier™ 5515R



Frontier™ 5515

OHAUS Europe GmbH

e-mail: ssc@ohaus.com

Tel: 0041 22 567 53 19

e-mail: tsc@ohaus.com

Tel: 0041 22 567 53 20

www.ohaus.com

The management system governing the manufacture of this product is ISO 9001:2015 certified.

