

ID-Nr. 30402-001
Model UB90.060.140.050.2S



safety storage under bench cabinet UB-S-90
Model UB90.060.140.050.2S, light grey (RAL 7035)

Safe and approved storage of flammable hazardous substances in working areas

Function / construction:

- **Robust construction and longevity:** body made of powder-coated sheet steel
- **Safe:** drawers fitted with earthing wire incl. clamp as standard, seal welded sump, drawers are self-closing in the event of fire
- **No unauthorised use:** drawers lockable with cylinder lock and locking state indicator (red/green)
- **Mobile:** castors with plinth (optionally available), easy moving of the cabinet
- **Ventilation:** integrated air ducts ready for connection (DN 50) to a technical exhaust system

| Dimensions | |
|-------------------|------------|
| Width (external) | 1402.00 mm |
| Depth (external) | 502.00 mm |
| Height (external) | 600.00 mm |
| Width (internal) | 1279.00 mm |
| Depth (internal) | 382.00 mm |
| Height (internal) | 502.00 mm |

The available internal dimensions can vary depending on the interior equipment package.

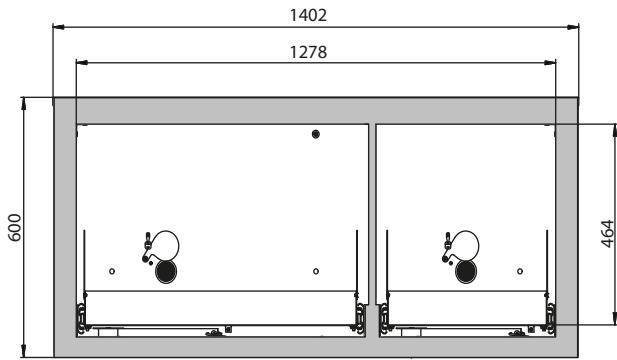
| Weight / Load | |
|-----------------------------------|--------------------------|
| Weight without interior equipment | 205 kg |
| Distributed load | 240.00 kg/m ² |
| Maximum load | 300 kg |

| Ventilation | |
|---|---------------------|
| Extraction air | 50 DN |
| Minimum exhaust air quantity 10 times | 3 m ³ /h |
| Differential pressure (10 times air change) | 1 Pa |

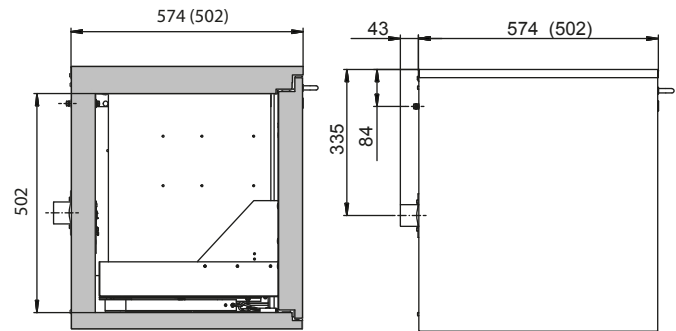
| Colouring / Surface finish | |
|------------------------------|------------|
| Body colour code | RAL 7035 |
| Body colour | light grey |
| Body surface finish | plain |
| Door / Drawer colour code | RAL 7035 |
| Door / Drawer colour | light grey |
| Door / Drawer surface finish | plain |

| General Information | |
|-----------------------|--------------|
| Number of drawers | 2 |
| Capacity of drawer | 16.50 litres |
| Capacity of drawer 2 | 10.00 litres |
| Customs tariff number | 94032080 |

Front view



Side view



Top view

