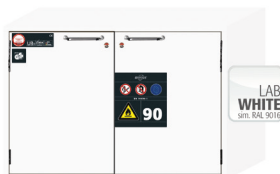


ID-Nr. 30464-005
Model UB90.060.089.2T



safety storage under bench cabinet UB-T-90
Model UB90.060.089.2T, laboratory white (sim. RAL 9016)

Safe and approved storage of flammable hazardous substances in working areas

Function / construction:

- **Robust construction and longevity:** body made of powder-coated sheet steel
- **Easy handling with comfort:** doors stop in any position, self-closing in the event of fire
- **User-friendly:** access to all containers, 93° opening of the wing door, interior of the cabinet completely visible
- **No unauthorised use:** doors lockable with cylinder lock and locking state indicator (red/green)
- **Mobile:** castors with plinth (optionally available), easy moving of the cabinet
- **Ventilation:** integrated air ducts ready for connection (DN 50) to a technical exhaust system

| Dimensions | |
|-------------------|-----------|
| Width (external) | 893.00 mm |
| Depth (external) | 574.00 mm |
| Height (external) | 600.00 mm |
| Width (internal) | 771.00 mm |
| Depth (internal) | 452.00 mm |
| Height (internal) | 502.00 mm |

The available internal dimensions can vary depending on the interior equipment package.

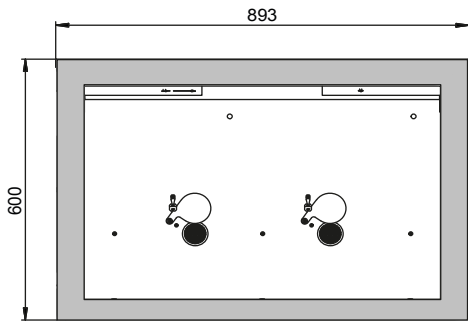
| Weight / Load | |
|-----------------------------------|--------------------------|
| Weight without interior equipment | 140 kg |
| Distributed load | 313.00 kg/m ² |
| Maximum load | 300 kg |

| Ventilation | |
|---|---------------------|
| Extraction air | 50 DN |
| Minimum exhaust air quantity 10 times | 2 m ³ /h |
| Differential pressure (10 times air change) | 1 Pa |

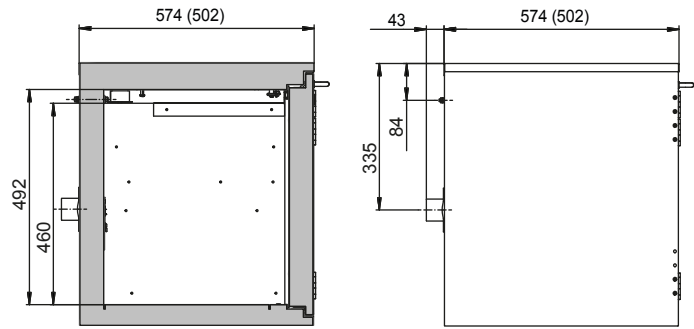
| Colouring / Surface finish | |
|------------------------------|----------------------------------|
| Body colour code | |
| Body colour | laboratory white (sim. RAL 9016) |
| Body surface finish | plain |
| Door / Drawer colour code | |
| Door / Drawer colour | laboratory white (sim. RAL 9016) |
| Door / Drawer surface finish | plain |

| General Information | |
|-----------------------|----------|
| Number of doors | 2 |
| Door opening angle | 135.00° |
| Depth with open doors | 992 mm |
| Customs tariff number | 94032080 |

Front view



Side view



Top view

