

ID-Nr. 30333-001
Model K90.196.120.MF.FWAS



Combi safety storage cabinet K-PHOENIX-90
Model K90.196.120.MF.FWAS, in light grey (RAL 7035)

Safe and approved storage of aggressive and flammable hazardous substances in working areas

Function / construction:

- **Robust construction and longevity:** triple hinged door, body made of powder-coated sheet steel, safety elements assembled outside the cabinet for increased protection against corrosion
- **two in one:** 2 compartments (vertical separated) allow the storage of flammable liquids and aggressive chemicals in one cabinet
- **user-friendly and safe (folding door compartment):** door open arrest system (standard), convenient and safe removal or storage of containers
- **no unauthorised use:** doors lockable with profile cylinder (integration in an existing locking system possible) / cylinder lock
- **easy alignment:** adjusting aids to compensate for uneven floor
- **Ventilation:** integrated air ducts ready for connection (DN 75) to a technical exhaust system

Dimensions	
Width (external)	1197.00 mm
Depth (internal)	522.00 mm
Height (external)	1969.00 mm
Width (internal)	450.00 mm
Depth (external)	617.00 mm
Height (internal)	1742.00 mm

The available internal dimensions can vary depending on the interior equipment package.

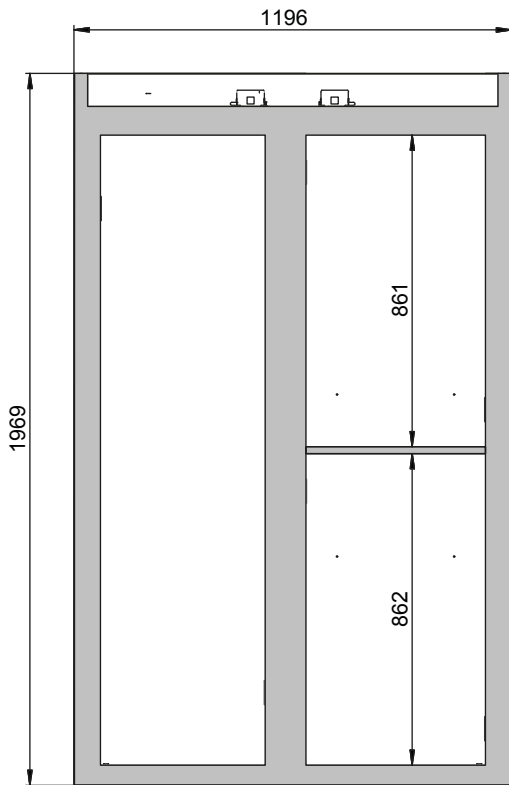
Weight / Load	
Weight without interior equipment	515 kg
Distributed load	576.00 kg/m ²
Maximum load	600 kg

Ventilation	
Extraction air	75 DN
Minimum exhaust air quantity 10 times	9 m ³ /h
Differential pressure (10 times air change)	5 Pa

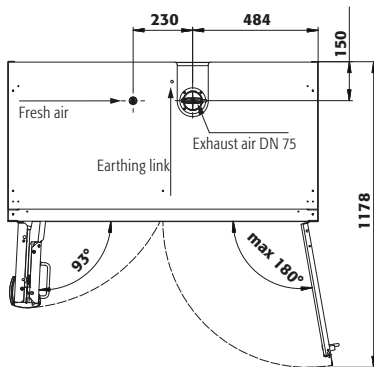
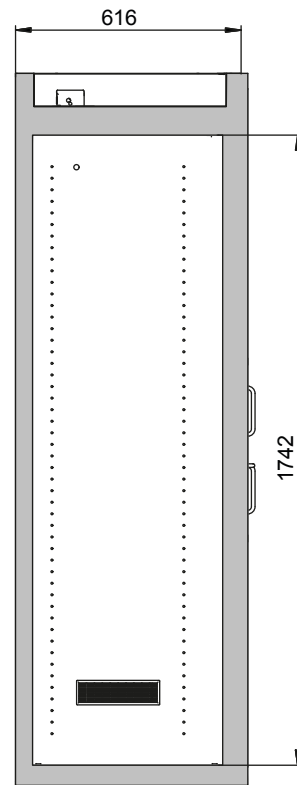
Colouring / Surface finish	
Body colour code	RAL 7035
Body colour	light grey
Body surface finish	plain
Door / Drawer colour code	RAL 7035
Door / Drawer colour	light grey
Door / Drawer surface finish	plain

General Information	
Left compartment	Compartment for the storage of flammable liquids
Right compartment	Compartment for the storage of aggressive, non flammable hazardous materials
Depth with open doors	1178 mm
Customs tariff number	94032080

Front view



Side view



For further information please visit www.asecos.com