

ID-Nr. 35034-005
Model V90.196.045.VDAC:0012



Safety storage cabinet V-MOVE-90
Model V90.196.045.VDAC:0012, laboratory white (sim. RAL 9016)

Safe and approved storage of flammable hazardous substances in working areas

Function / construction:

- **Robust construction and longevity:** robust, high-quality, scratch-resistant outer body with powder-coated surface
- **Electronic opening and closing:** the vertical drawer opens and closes at the push of a button
- **Perfect access:** the vertical drawer provides an overview and simple access to the stored containers
- **Always closed:** serial automatic door closing (TSA) after approx. 60 seconds with acoustic and visual signal before drawer closing
- **No unauthorised use:** vertical drawer lockable with cylinder locking (integration in an existing locking system possible) and locking state indicator (red/green)
- **Easy alignment:** adjusting aids to compensate for uneven floor
- **Ventilation:** integrated air ducts ready for connection (DN 75) to a technical exhaust system

Dimensions	
Width (external)	450 mm
Depth (external)	860 mm
Height (external)	1966 mm
Width (internal)	331 mm
Depth (internal)	773 mm
Height (internal)	1750 mm

The available internal dimensions can vary depending on the interior equipment package.

Weight / Load	
Weight without interior equipment	344 kg
Distributed load	580 kg/m ²
Maximum load	140 kg

Ventilation	
Extraction air	75 DN
Minimum exhaust air quantity 10 times	5 m ³ /h
Differential pressure (10 times air change)	5 Pa

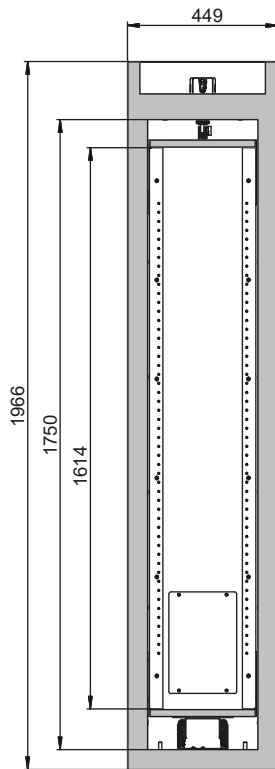
Electrical component	
Connection cable	5 m
Positioning of connection cable	Ceiling of the cabinet
Frequency	50/60 Hz
Power consumption in operation	50 W
Power consumption in standby mode	0,5 W
Maximum current consumption	0.5 A
Nominal voltage	85-265 V

Colouring / Surface finish	
Body colour	laboratory white (sim. RAL 9016)
Body surface finish	plain
Door / Drawer colour	laboratory white (sim. RAL 9016)
Door / Drawer surface finish	plain

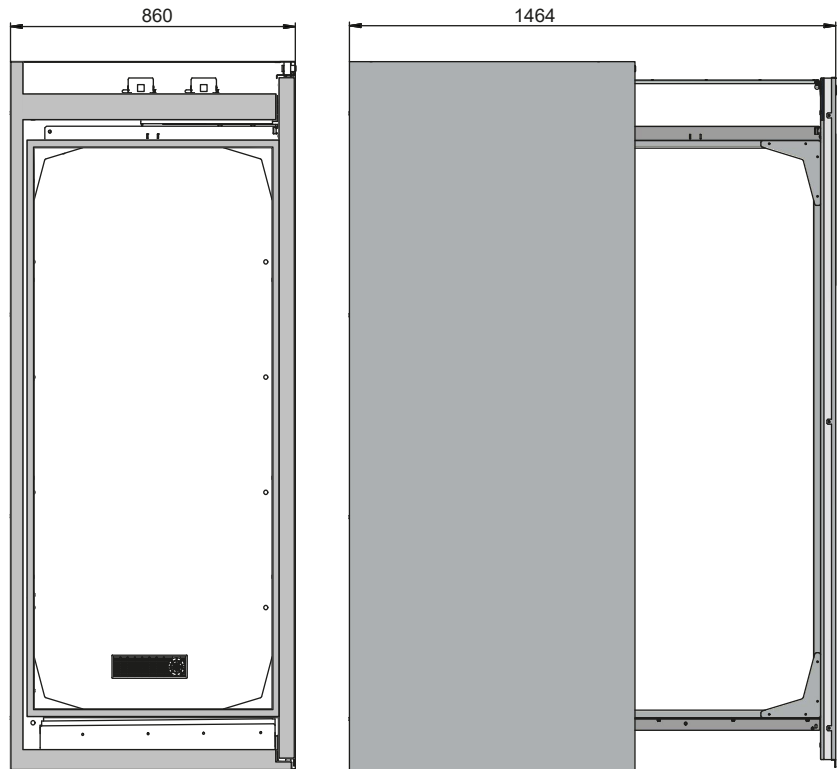
General Information	
Storage capacity of 400 ml aerosol cans	46 piece
Storage capacity of 1 litre laboratory glass bottles	21 piece
Storage capacity of 2.5 litre laboratory glass bottles	8 piece
Customs tariff number	94032080

Storage capacities per storage level / type of container

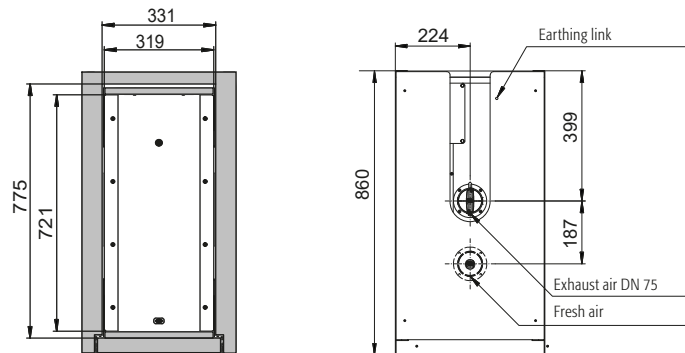
Front view



Side view



Top view



For further information please visit www.asecos.com