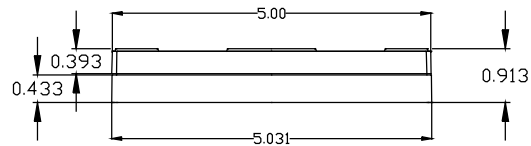
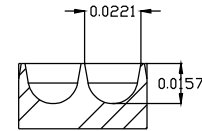
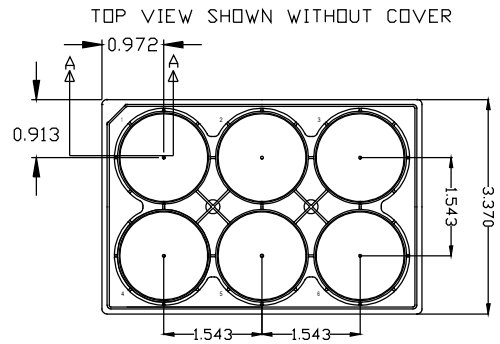
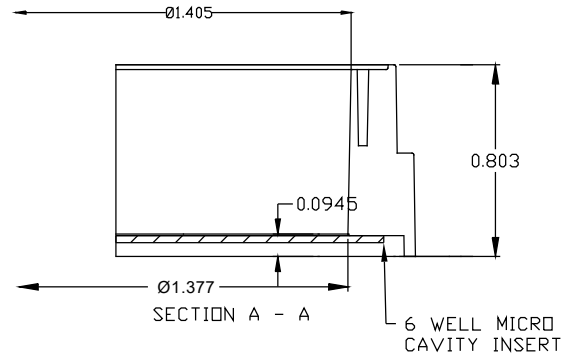


REVISIONS				
REV	DR	DESCRIPTION	DATE	APPROVED
00	JFM	Initial Product Drawing	6/27/19	

NOTE:

1. Refer to product description for additional product information.



Corning is a registered trademark of Corning Incorporated

CORNING
 Corning Incorporated Proprietary
 Corning Incorporated
 Science Products Division
 Corning, NY 14831

Tolerances: Unless
 otherwise specified
 dimensions are nominal
 for reference only

Drawn JFM Date 06/27/19
 Chkd XXX XXXXXX
 Matl See product descrip.
 Customer Spec. Sht. 1 of 1

CORNING[®]
 Seikoh 6 Well
 99050-204 Rev 00