

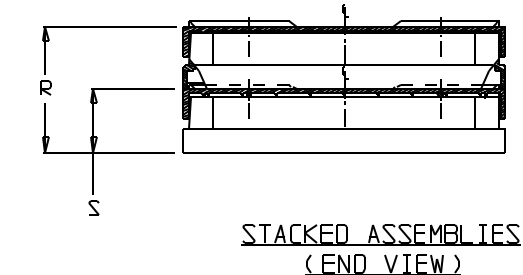
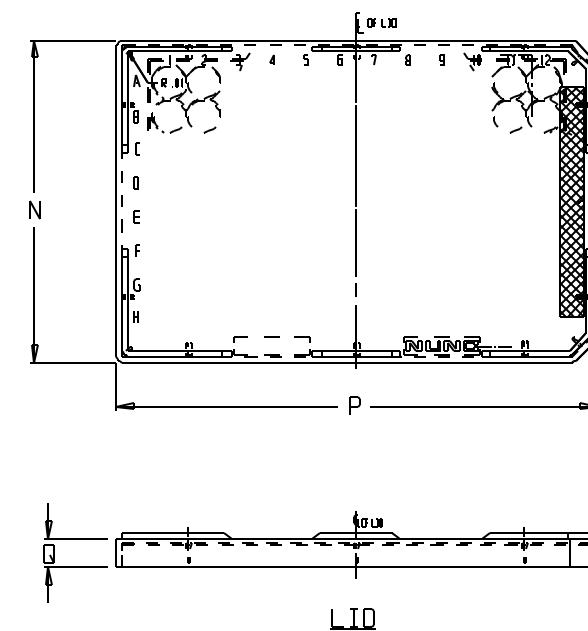
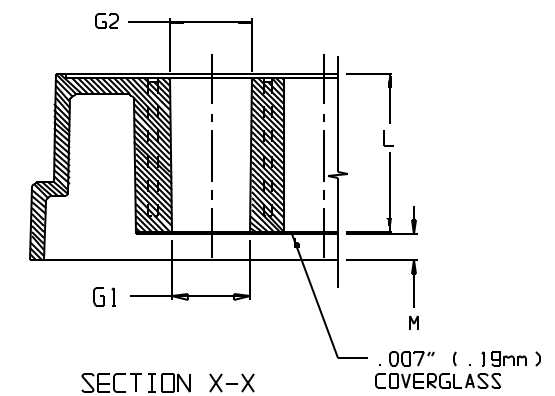
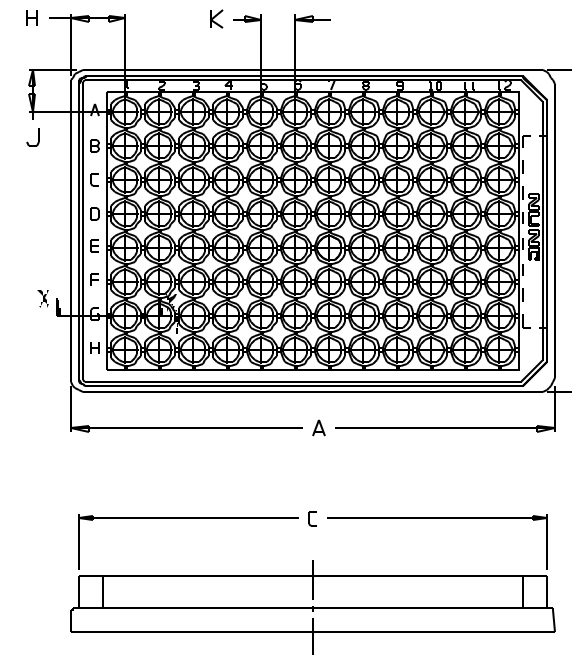
CATALOG NUMBER.....	SEE BELOW	
NOM. CAP. (uL).....	400	
MATERIAL.....	PS	
	INCH	MM
A (BASE LENGTH).....	5.030	127.76
B (BASE WIDTH).....	3.365	85.47
C (TOP LENGTH).....	4.87	123.3
D (TOP WIDTH).....	3.20	81.8
E (FLANGE HEIGHT).....	0.25	6.2
F (OVERALL HEIGHT).....	0.59	14.9
G1 DIA. (BOTTOM OF WELL)....	.249	6.32
G2 DIA. (TOP OF WELL).....	.254	6.45
H (A-1 LOCATION) (X).....	0.57	14.4
J (A-1 LOCATION) (Y).....	0.44	11.2
K (WELL-TO-WELL SPACING)....	0.35	9.0
L (WELL DEPTH).....	0.48	12.2
M (BOTTOM OF GLASS).....	.09	2.3
*N (LID LENGTH).....	5.02	127.4
*P (LID WIDTH).....	3.36	85.3
*Q (LID HEIGHT).....	.36	9.0
*R (STACKED HEIGHT W/LIDS)..	1.31	33.3
*S (ASSEMBLY HEIGHT W/LID)..	.65	16.6

CATALOG NUMBER	SURFACE	COLOR	STERILE	WITH LID*	UNITS PER PACK/CASE
164588	CELL CULTURE	BLACK	YES	YES	6/30
164590	CELL CULTURE	WHITE	YES	YES	6/30
160376	CC <sup>2</sup>	BLACK	YES	YES	6/30
160377	CC <sup>2</sup>	WHITE	YES	YES	6/30
265300	NON-TREATED	BLACK	NO	NO	5/30

\*DIM'S APPLY ONLY WHERE "WITH LID" = YES, USING NLNC LID #9326B

NOTES:

1. ALL DIMENSIONS ARE NOMINAL AND IN INCHES AND MILLIMETERS UNLESS OTHERWISE NOTED.
2. THIS IS NOT A PRODUCTION DRAWING, BUT IS FOR INFORMATIONAL PURPOSES ONLY, AND IS SUBJECT TO CHANGE WITHOUT NOTICE.



SPECS ON BACK

NOT TO SCALE

CONFIDENTIAL

THIS PRODUCT SPECIFICATION SHEET CONTAINS CONFIDENTIAL AND/OR PROPRIETARY INFORMATION AND IS TO BE USED ONLY FOR THE EXPRESSED PURPOSES AGREED UPON BY AN AUTHORIZED OFFICER OF THERMO FISHER SCIENTIFIC.

**ThermoFisher**  
SCIENTIFIC

Thermo Fisher Scientific  
75 Ponorama Creek Drive  
Rochester, NY 14625-2385, USA

MADE JDD	APP'D PVC	PSS 1645XX	REV. 0506
CK'D KDW	6/8/06		

DESCRIPTION:  
96 WELL, PS, GLASS BOTTOM PLATE