

GALAXY Series

Compact Analytical Balances



HR-100A / HR-100AZ
102 g x 0.1 mg

HR-150A / HR-150AZ
152 g x 0.1 mg

HR-250A / HR-250AZ
252 g x 0.1 mg

COMPACT ANALYTICAL BALANCES

The HR-A & HR-AZ Series – Saving you space, effort and your budget.

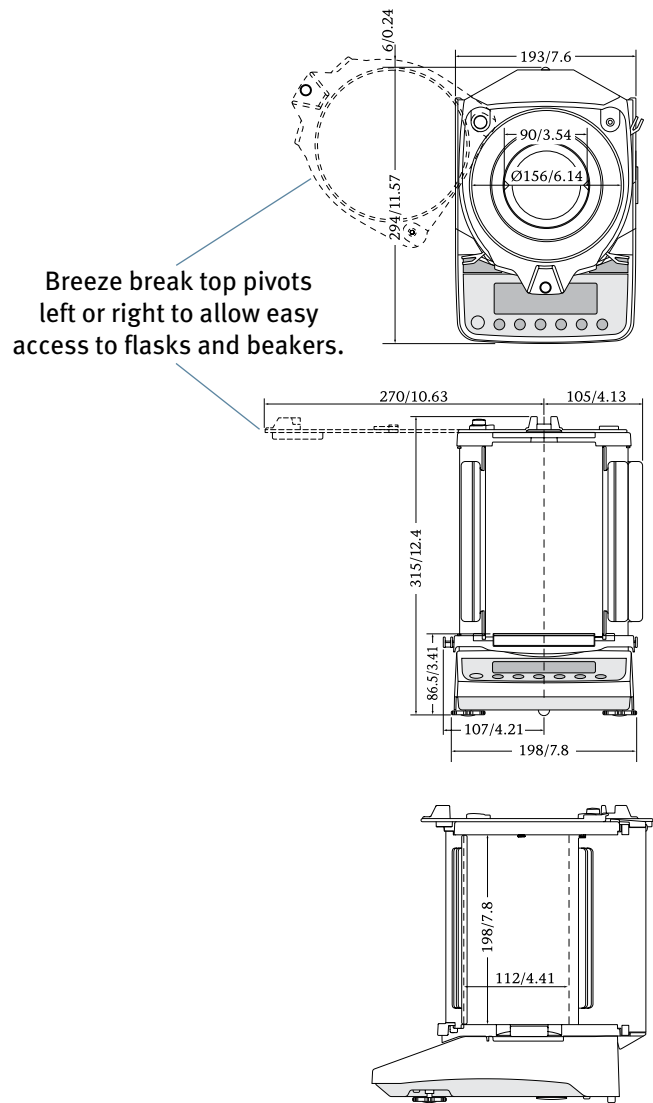
The HR-A Series of Compact Analytical Balances are fast, accurate and reliable. They feature solid construction based on the A&D Super Hybrid Sensor (SHS) technology which has delivered consistent weighing results day-in and day-out in thousands of laboratories and production facilities worldwide.

The HR-AZ models add highly reliable internal calibration. One-touch automatic calibration ensures consistent balance accuracy.

The HR-A and HR-AZ meet today's demanding needs in:

Laboratory
Quality Control / QA
Production

environments and deliver performance with convenience in a compact footprint.



Save Space

Rotary doors mean that the balance takes up no extra space when the doors are open. The HR-A Series is perfectly at home in the tight confines of glove boxes and fume hoods. Crowded academic lab benches are no problem: set-up 2 balances back-to-back.

The top of the breeze break also pivots open, so access to beakers and flasks is easy.

Model	Capacity	Resolution	Calibration
HR-100A	102 g	0.1 mg	External
HR-100AZ			Internal/Ext.
HR-150A	152 g		External
HR-150AZ			Internal/Ext.
HR-250A	252 g		External
HR-250AZ			Internal/Ext.

GALAXY SERIES

Safe for Sensitive Environments.

The rugged, shatterproof breeze break with anti-static coating makes the HR-A/AZ safe for challenging applications where contamination is a potential concern:

Pharmaceutical / FDA
Food / HACCP



Anti-static breeze break with rotary doors

Ultimate in clarity with reverse back-lit display

One-touch internal calibration on HR-AZ models

Statistical Calculation Function, counting, % mode, user-defined units

GLP/GMP/GCP/ISO compliant output

Detaches in an instant even while wearing heavy gloves

Save Effort

The breeze break detaches in seconds even with heavy gloves. This makes cleaning easier and enables top-loading operation.

The 2-second stabilization time increases productivity by delivering fast results. The HR-A/AZ lets you perform frustration-free weighing down to a resolution of 0.1 mg.

Save Cost

Developed with the value-conscious user who does not want to compromise on performance, the HR-A offers capability and simplicity. When your product goes from lab to production, the HR-A/AZ is cost-effective enough to go with it.



See the Galaxy in action on the HR-A web page.

GALAXY Series Specifications

MODEL		HR-100A	HR-150A	HR-250A
		HR-100AZ	HR-150AZ	HR-250AZ
Weighing capacity		102 g	152 g	252 g
Minimum weighing value		0.1 mg		
Repeatability (Standard Deviation)		0.1 mg		0 to 200 g: 0.1 mg 200 to 252 g: 0.2 mg
Linearity		±0.2 mg		±0.3 mg
Stabilization time (when set to FAST under good environment conditions)		Approx. 2 seconds*		
Sensitivity drift		±2 ppm/°C (10 to 30 °C/50 to 86 °F)		
Calibration	HR-A	External		
	HR-AZ	Internal		
Clock and calendar function	HR-A	No		
	HR-AZ	Yes		
Operating environment		5 to 40 °C (41 to 104 °F), 85% RH or less (no condensation)		
Display refresh rate		5 times/second or 10 times/second, selectable		
Display mode (units of measure)		g, mg, oz, oz-t, ct, momme, dwt, grain, tael, tola, pieces (counting mode), % (percent mode), DS (density mode), user definable functions		
Counting mode	Minimum unit mass	0.1 mg		
	Number of samples	10, 25, 50 or 100 pieces		
Percent mode	Minimum 100% reference mass	10.0 mg		
	Minimum 100% display	0.01%, 0.1%, or 1% (depends on the reference mass stored)		
Interface		RS-232C standard (see also options below)		
Applicable calibration weight values (g)		100, 50	150, 100, 50	250, 200 100, 50
Weighing pan size		Ø90 mm		
External dimensions		198 (W) × 294 (D) × 315 (H) mm / 8 (W) × 12 (D) × 12.4 (H) in		
Net weight	HR-A	3.5 kg / 7.8 lb		
	HR-AZ	3.9 kg / 8.9 lb		
Power supply		AC adapter		
Power consumption		Approx. 11 VA (supplied by the AC adapter)		

*The factory setting is MID, whose stabilization time is approx. 3 seconds.

Specifications subject to change without notice.

Other Units of Measure (See also Display mode above)

Unit	Capacity			Minimum Display
	HR-100A	HR-150A	HR-250A	
	HR-100AZ	HR-150AZ	HR-250AZ	
Ounce (oz)	3.59	5.36	8.88	0.00001
Troy Ounce (ozt)	3.27	4.88	8.10	
Carat (ct)	510	760	1260	0.001
Pennyweight (dwt)	65.5	97.7	162.0	0.0001
Momme (mom)	27.2	40.5	67.2	
Grain (GN)	1574	2346	3889	0.002

Accessories

- **AD-1654** Density determination kit
- **AD-1683** Static eliminator
- **AD-1684** Electrostatic field meter
- **AD-1687** Weighing environment logger
- **AD-1688** Weighing data logger
- **AD-1689** Tweezers for calibration weight
- **AD-8121B** Multi-function printer
- **AD-1192** Compact printer
- **AD-8526** Serial/Ethernet converter
- **AD-8920A** Remote display
- **AD-8922A** Remote controller
- **AX-073009456** Main unit clear protective cover
- **AX-USB-2920-9P** Serial/USB converter

Options

- **FXI-02*** Quick USB interface with cable
- **FXI-08*** Ethernet interface with WinCT-Plus software
- **FXI-09*** Built-in rechargeable battery

* The FXI-02, FXI-08 and FXI-09 cannot be used at the same time.



1756 Automation Parkway
San Jose, CA 95131
(800) 726-3364 or (408) 263-5333
Email: scales@andweighing.com
www.andweighing.com

© 2012 A&D Weighing



LIT: HR-A 9/12