

# Constant climate chambers



Always the right climate  
KBF| KBF P| KBF LQC| KMF series





# Constant climate chambers

Series KBF	Page 6
Series KBF P	Page 9
Series KBF LQC	Page 12
Series KMF	Page 15
Options and Accessories	Page 18

BINDER climatic chambers stand out when testing material behaviors under constant temperature and humidity conditions. A climatic chamber of the KBF P and KBF LQC Series also offers ICH-compliant illumination for standard-compliant long-term tests. In combination with the innovative Light Quantum Control (LQC), they offer a complete reliable solution for photostability testing in one chamber.

Wide temperature and humidity ranges can be achieved with KMF Series chambers—ideal for complex stress tests at, for instance, 85 °C and 85 % RH.

## PRODUCT SELECTION CONSTANT CLIMATE CHAMBERS

Features	KBF › Page 6	KBF P › Page 9	KBF LQC › Page 12	KMF › Page 15
<b>Model</b>				
Model 115	•	–	–	•
Model 240	•	•	•	•
Model 720	•	•	•	•
Model 1020	•	–	–	–
<b>General data</b>				
Temperature range [°C]	0...70	–	–	-10...100
Temperature range without illumination cassettes [°C]	–	0...70	0...70	–
Temperature range with 100% illumination [°C]	–	10...60	10...60	–
Humidity range [% RH]	10...80	10...80	10...80	10...98
Ethernet interface	•	•	•	•
USB interface	•	•	•	•
Forced convection	•	•	•	•
<b>Controller and timer functions</b>				
Controller display			TFT touch	
Ramp function	•	–	–	•
Time delayed ON	•	–	–	•
Programming option	•	•	•	•
Weekly program function	•	•	•	•
Adjustable fan speed	•	•	•	•
Real-time clock	•	•	•	•
Class 3.1 independent temperature safety device	•	•	•	•
Temperature alarm, acoustic	•	•	•	•
Temperature alarm, visual	•	•	•	•

•Standard equipment

## ADVANTAGES AT A GLANCE



### **HOMOGENEOUS TEMPERATURE DISTRIBUTION**

Series KBF, KBF P, KBF LQC, KMF

BINDER APT.line™ preheating chamber technology ensures long-term operational stability even under full load.



### **INTUITIVE TOUCHSCREEN CONTROLLER**

Series KBF, KBF P, KBF LQC, KMF

State-of-the-art controller technology with time-segment and real-time programming with internal data recording



### **HOMOGENEOUS LIGHT DISTRIBUTION**

Series KBF P, KBF LQC

Illumination cassettes with ICH-Q1B-compliant light sources provide flexible placement for photostability tests.



### **FLEXIBLE WATER AND WASTE WATER MANAGEMENT AT ANY LOCATION**

Series KBF, KBF P, KMF

using the connection to the domestic water supply or an optional external water supply set (Fig.).

## Series KBF | with large temperature / humidity range

The BINDER KBF is the specialist for unconditionally reliable stability testing and precise maintenance of constant climate conditions. From programming to documentation, this constant climate chamber meets all critical requirements.



KBF 240 model

### MAIN FEATURES

- Temperature range: 0 °C to 70 °C
- Humidity range: 10 % to 80 % RH
- APT.line™ preheating chamber technology
- Humidity regulation with capacitive humidity sensor and vapor humidification
- Inner chamber made of stainless steel
- Intuitive touchscreen controller with time-segment and real-time programming with internal data recording
- Tight-sealing inner door made of safety glass (ESG) with special TIMELESS coating
- 2 stainless steel racks
- Access port with silicone plug, 30 mm, left
- 4 stable castors, two with brakes, from 240 liters

### AVAILABLE SIZES

Model	Interior volume [L]	Online data sheets
KBF 115	102	› <a href="https://go2binder.com/en-KBF115">go2binder.com/en-KBF115</a>
KBF 240	247	› <a href="https://go2binder.com/en-KBF240">go2binder.com/en-KBF240</a>
KBF 720	700	› <a href="https://go2binder.com/en-KBF720">go2binder.com/en-KBF720</a>
KBF 1020	1020	› <a href="https://go2binder.com/en-KBF1020">go2binder.com/en-KBF1020</a>



### TIPS & TRICKS

Benefit from our many years of experience, as demonstrated in our technical papers:

- Tips & Tricks: › [go2binder.com/en-tips-tricks](https://go2binder.com/en-tips-tricks)  
Case Studies: › [go2binder.com/en-case-studies](https://go2binder.com/en-case-studies)

Find all details online  
[go2binder.com/en-KBF](https://go2binder.com/en-KBF)

## TECHNICAL DATA

Description	KBF 115	KBF 240	KBF 720	KBF 1020
<b>Measures - Outer dimensions</b>				
Width net [mm]	880	925	1250	1250
Height net [mm]	1050	1460	1925	1925
Depth net [mm]	650	800	890	1145
<b>Measures - Internal Dimensions</b>				
Width [mm]	600	650	973	976
Height [mm]	483	785	1250	1250
Depth [mm]	351	485	576	836
<b>Measures</b>				
Interior volume [L]	102	247	700	1020
Net weight of the unit (empty) [kg]	129	184	309	365
permitted load [kg]	100	100	150	150
Load per rack [kg]	30	30	45	45
<b>Performance Data Temperature</b>				
Temperature range [°C]	0...70	0...70	0...70	0...70
Temperature variation at 40 °C [± K]	0.2	0.3	0.2	0.2
Temperature fluctuation [± K]	0.1	0.1	0.1	0.5
<b>Performance Data Climate</b>				
Temperature range [°C]	10...70	10...70	10...70	10...70
Temperature variation at 40 °C and 75 % RH [± K]	0.2	0.3	0.2	0.2
Temperature fluctuation at 40 °C and 75 % RH [± K]	0.1	0.1	0.1	0.1
Humidity range [% RH]	10...80	10...80	10...80	10...80
Humidity fluctuation at 40 °C and 75 % RH [± % RH]	≤2	1,5	1,5	1,5
<b>Electrical data</b>				
Nominal power (version 230 V) [kW]	2	2.1	3.1	3.1
Nominal power (version 240 V) [kW]	2	2.1	3.1	3.1
<b>Fixtures</b>				
Number of shelves (std./max.)	2/5	2/9	2/15	2/15

## ORDERING INFORMATION [Art. No.]

**Further details:** Go to [www.binder-world.com](http://www.binder-world.com) > Search > Enter Article Number

Voltage	Option model	KBF 115	KBF 240	KBF 720	KBF 1020
200...230 V 1 50/60 Hz	Standard	9020-0320	9020-0322	9020-0324	9020-0326
200...240 V 1 50/60 Hz	Standard	9020-0321	9020-0323	9020-0325	9020-0327

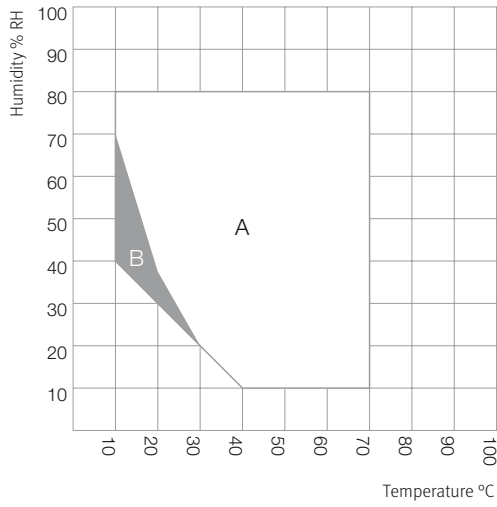
► You will find a selection of options, accessories and services suitable for each product on page 18

## EXTRACT OF FULLFILLED STANDARDS

- ICH Q1A(R2)

## TEMPERATURE-HUMIDITY CHART

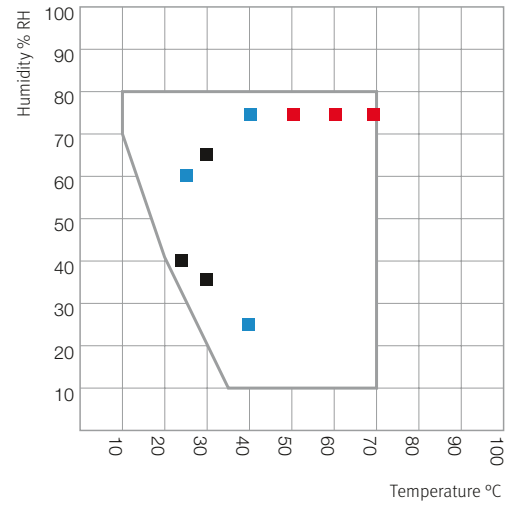
KBF 115, KBF 240, KBF 720, KBF 1020



A: Guaranteed condensation-free range  
B: Time-limited operation (max. 24 hours)

## TEMPERATURE-HUMIDITY CHART WITH ICH CHECKPOINTS

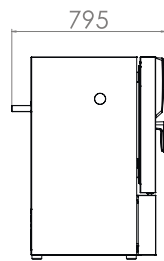
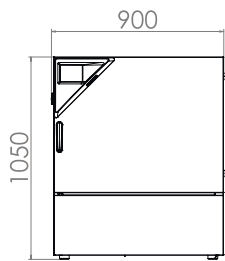
KBF 115, KBF 240, KBF 720, KBF 1020



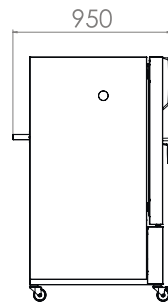
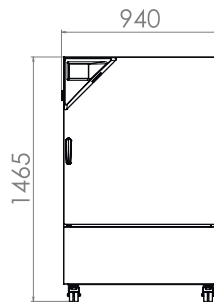
■ Long term testing (ICH Q1A)  
■ Accelerated testing (ICH Q1A)  
■ Stress testing (ICH Q1A)

## DIMENSIONS incl. fittings and connections [mm]

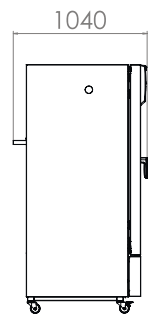
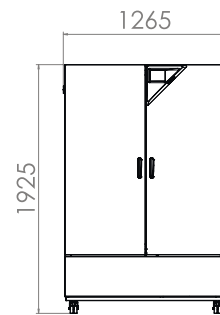
KBF 115



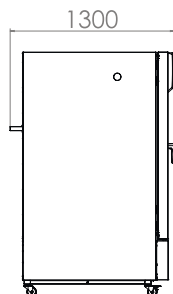
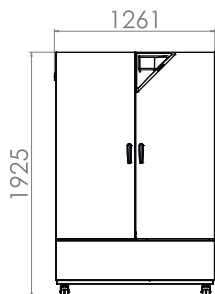
KBF 240



KBF 720



KBF 1020





## Series KBF P | with ICH-compliant light source

The KBF P constant climate chamber, equipped with ICH-compliant light source, is an expert when it comes to photostability tests and ensures clear test results in accordance with ICH Guideline Q1B. At the same time, the variable-position illumination cassettes offer homogeneous lighting conditions.



KBF P 240 model

### MAIN FEATURES

- Temperature range: 0 °C to 70 °C
- Temperature range with light: 10 °C to 60 °C
- Humidity range: 10 % to 80 % RH
- positionable illumination cassettes with ICH-compliant UV/Vis light source
- APT.line™ preheating chamber technology
- Humidity regulation with capacitive humidity sensor and vapor humidification
- Inner chamber made of stainless steel
- Intuitive touchscreen controller with time-segment and real-time programming with internal data recording
- Tight-sealing inner door made of safety glass (ESG) with special TIMELESS coating
- stainless steel racks

### AVAILABLE SIZES

Model	Interior volume [L]	Online data sheets
KBF P 240	247	<a href="https://go2binder.com/en-KBFP240">go2binder.com/en-KBFP240</a>
KBF P 720	700	<a href="https://go2binder.com/en-KBFP720">go2binder.com/en-KBFP720</a>



### TIPS & TRICKS

Benefit from our many years of experience, as demonstrated in our technical papers:

- Tips & Tricks: [go2binder.com/en-tips-tricks](https://go2binder.com/en-tips-tricks)  
 Case Studies: [go2binder.com/en-case-studies](https://go2binder.com/en-case-studies)



Find all details online  
[go2binder.com/en-KBFP](https://go2binder.com/en-KBFP)

## TECHNICAL DATA

Description	KBFP 240	KBFP 720
<b>Measures - Outer dimensions</b>		
Width net [mm]	925	1250
Height net [mm]	1460	1925
Depth net [mm]	800	890
<b>Measures - Internal Dimensions</b>		
Width [mm]	650	973
Height [mm]	785	1250
Depth [mm]	485	576
<b>Measures</b>		
Interior volume [L]	247	700
Net weight of the unit (empty) [kg]	213	374
permitted load [kg]	100	150
Load per rack [kg]	30	45
<b>Performance Data Temperature</b>		
Temperature range with 100% illumination [°C]	10...60	10...60
Temperature range without illumination cassettes [°C]	0...70	0...70
<b>Performance Data Climate</b>		
Temperature range with 100% illumination [°C]	10...60	20...60
Temperature range without illumination cassettes [°C]	10...70	10...70
Temperature variation with illumination at 40 °C and 75 % RH [± K]	0.6	1.2
Temperature fluctuation with illumination at 40 °C and 75 % RH [± K]	0.2	0.2
Humidity range with illumination cassettes, with illumination [% RH]	10...75	10...75
Humidity range without illumination [% RH]	10...80	10...80
Humidity fluctuation with illumination at 40 °C and 75 % RH [± % RH]	2	2
<b>Lightdata per Illumination Cassettes</b>		
ICH compliant illumination for photo stability testing [lx]	7500	9000
ICH compliant illumination for photo stability testing [W/m²]	1.1	1.5
<b>Electrical data</b>		
Nominal power (version 230 V) [kW]	2.4	3.5
Nominal power (version 240 V) [kW]	2.4	3.5
<b>Fixtures</b>		
Number of shelves (std./max.)	2/7	3/12
Number of illumination cassettes (std./max.)	2/2	3/3

## ORDERING INFORMATION [Art. No.]

**Further details:** Go to [www.binder-world.com](http://www.binder-world.com) > Search > Enter Article Number

Voltage	Option model	KBFP 240	KBFP 720
200...230 V 1 50/60 Hz	Standard	9020-0328	9020-0330
200...240 V 1 50/60 Hz	Standard	9020-0329	9020-0331

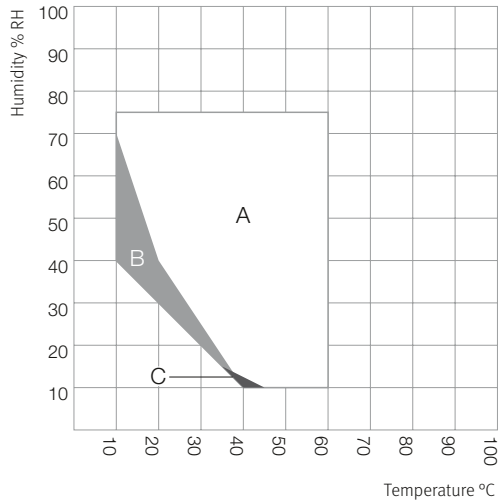
► You will find a selection of options, accessories and services suitable for each product on page 18

**EXTRACT OF FULLFILLED STANDARDS**

- ICH Q1A(R2)
- ICH Q1B

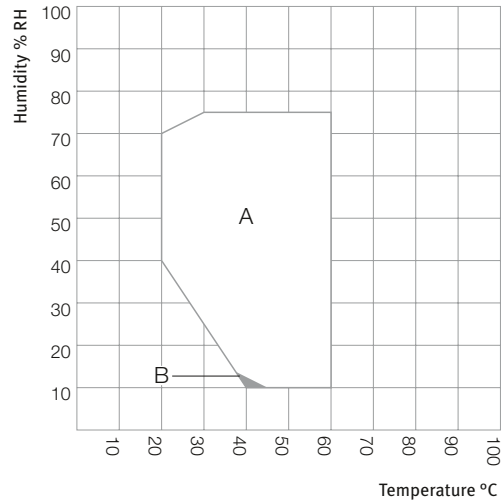
**TEMPERATURE-HUMIDITY CHART**

**KBF P 240**



- A: Guaranteed condensation-free range
- B: Time-limited operation (max. 24 hours)
- C: Deviations of technical data may be possible

**KBF P 720**

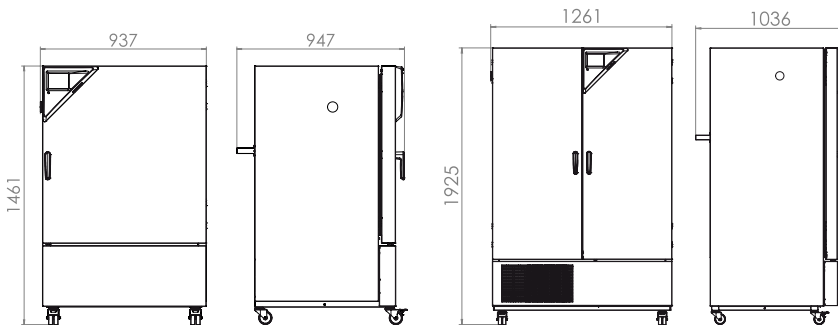


- A: Guaranteed condensation-free range
- B: Deviations of technical data may be possible

**DIMENSIONS incl. fittings and connections [mm]**

**KBF P 240**

**KBF P 720**



## Series KBF LQC | with ICH-compliant light source and light dose control

The main advantage of the BINDER KBF LQC series is the patented light photometry for photostability tests. Two 3D spherical sensors control the light dosage of UV-A and visible light. Once the desired light dosage is achieved, the chamber switches off automatically.



KBF LQC 240 model

### MAIN FEATURES

- Temperature range: 0 °C to 70 °C
- Temperature range with light: 10 °C to 60 °C
- Humidity range: 10 % to 80 % RH
- positionable illumination cassettes with ICH-compliant UV/Vis light source
- Independent light-dose control of UV-A and visible light with spherical sensors
- APT.line™ preheating chamber technology
- Humidity regulation with capacitive humidity sensor and vapor humidification
- Inner chamber made of stainless steel
- Intuitive touchscreen controller with time-segment and real-time programming with internal data recording
- Tight-sealing inner door made of safety glass (ESG) with special TIMELESS coating

### AVAILABLE SIZES

Model	Interior volume [L]	Online data sheets
KBF LQC 240	247	› <a href="https://go2binder.com/en-KBFLQC240">go2binder.com/en-KBFLQC240</a>
KBF LQC 720	700	› <a href="https://go2binder.com/en-KBFLQC720">go2binder.com/en-KBFLQC720</a>

**i TIPS & TRICKS**

Benefit from our many years of experience, as demonstrated in our technical papers:

Tips & Tricks: › [go2binder.com/en-tips-tricks](https://go2binder.com/en-tips-tricks)

Case Studies: › [go2binder.com/en-case-studies](https://go2binder.com/en-case-studies)

Find all details online  
[go2binder.com/en-KBFLQC](https://go2binder.com/en-KBFLQC)

## TECHNICAL DATA

Description	KBF LQC 240	KBF LQC 720
<b>Measures - Outer dimensions</b>		
Width net [mm]	925	1250
Height net [mm]	1460	1925
Depth net [mm]	800	890
<b>Measures - Internal Dimensions</b>		
Width [mm]	650	973
Height [mm]	785	1250
Depth [mm]	485	576
<b>Measures</b>		
Interior volume [L]	247	700
Net weight of the unit (empty) [kg]	213	374
permitted load [kg]	100	150
Load per rack [kg]	30	45
<b>Performance Data Temperature</b>		
Temperature range with 100% illumination [°C]	10...60	10...60
Temperature range without illumination cassettes [°C]	0...70	0...70
<b>Performance Data Climate</b>		
Temperature range with 100% illumination [°C]	10...60	20...60
Temperature range without illumination cassettes [°C]	10...70	10...70
Temperature variation with illumination at 40 °C and 75 % RH [± K]	0.6	1.2
Temperature fluctuation with illumination at 40 °C and 75 % RH [± K]	0.2	0.2
Humidity range with illumination cassettes, with illumination [% RH]	10...75	10...75
Humidity range without illumination [% RH]	10...80	10...80
Humidity fluctuation with illumination at 40 °C and 75 % RH [± % RH]	2	2
<b>Lightdata per Illumination Cassettes</b>		
ICH compliant illumination for photo stability testing [lx]	7500	9000
ICH compliant illumination for photo stability testing [W/m²]	1.1	1.5
<b>Electrical data</b>		
Nominal power (version 230 V) [kW]	2.4	3.5
Nominal power (version 240 V) [kW]	2.4	3.5
<b>Fixtures</b>		
Number of shelves (std./max.)	2/7	3/12
Number of illumination cassettes (std./max.)	2/2	3/3

## ORDERING INFORMATION [Art. No.]

**Further details:** Go to [www.binder-world.com](http://www.binder-world.com) > Search > Enter Article Number

Voltage	Option model	KBF LQC 240	KBF LQC 720
200...230 V 1 50/60 Hz	Standard	9020-0332	9020-0279
200...240 V 1 50/60 Hz	Standard	9020-0333	9020-0280

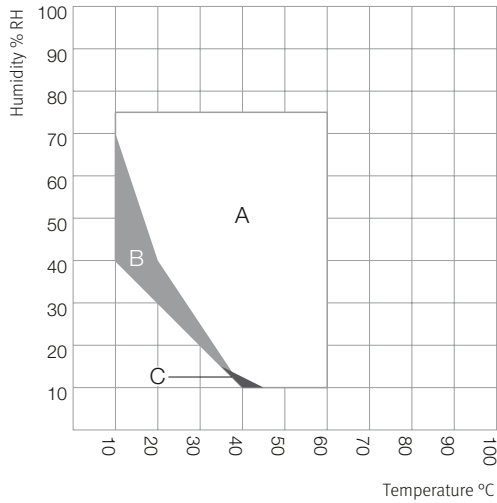
► You will find a selection of options, accessories and services suitable for each product on page 18

## EXTRACT OF FULLFILLED STANDARDS

- ICH Q1A(R2)
- ICH Q1B

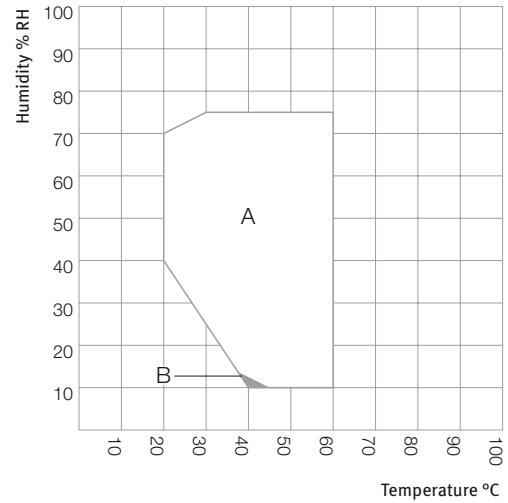
## TEMPERATURE-HUMIDITY CHART

**KBF LQC 240**



- A: Guaranteed condensation-free range
- B: Time-limited operation (max. 24 hours)
- C: Deviations of technical data may be possible

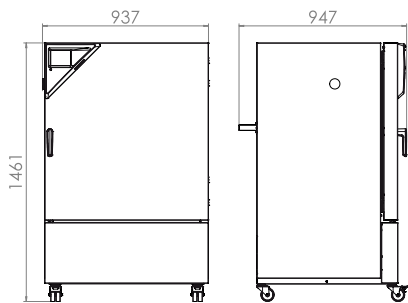
**KBF LQC 720**



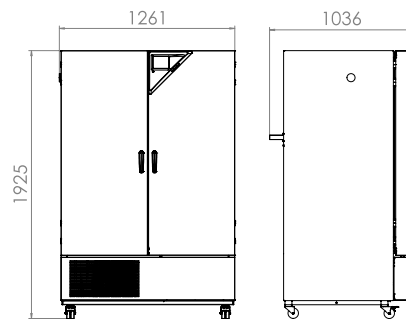
- A: Guaranteed condensation-free range
- B: Deviations of technical data may be possible

## DIMENSIONS incl. fittings and connections [mm]

**KBF LQC 240**



**KBF LQC 720**



## Series KMF | with expanded temperature / humidity range

The BINDER KMF ensures absolutely constant test conditions throughout the testing area. A big advantage of this constant climate chamber is its low space requirement and flexibility in terms of water supply. The wide temperature and humidity range make this constant climate chamber ideally suited for stress testing series.



KMF 240 model

### MAIN FEATURES

- Temperature range: -10 °C to 100 °C
- Humidity range: 10 % RH to 98 % RH
- APT.line™ preheating chamber technology
- Humidity regulation with capacitive humidity sensor and vapor humidification
- Inner chamber made of stainless steel
- BINDER APT-COM™ 3 Basic Edition communication software
- Intuitive touchscreen controller with time-segment and real-time programming with internal data recording
- Tightly-sealed inner door made of tempered safety glass
- 1 stainless steel rack
- Access port with silicone plug, 30 mm, left
- Tight-sealing inner door made of safety glass (ESG) with special TIMELESS coating

### AVAILABLE SIZES

Model	Interior volume [L]	Online data sheets
KMF 115	102	<a href="https://go2binder.com/en-KMF115">go2binder.com/en-KMF115</a>
KMF 240	247	<a href="https://go2binder.com/en-KMF240">go2binder.com/en-KMF240</a>
KMF 720	700	<a href="https://go2binder.com/en-KMF720">go2binder.com/en-KMF720</a>



### TIPS & TRICKS

Benefit from our many years of experience, as demonstrated in our technical papers:

- Tips & Tricks: [go2binder.com/en-tips-tricks](https://go2binder.com/en-tips-tricks)  
 Case Studies: [go2binder.com/en-case-studies](https://go2binder.com/en-case-studies)



Find all details online  
[go2binder.com/en-KMF](https://go2binder.com/en-KMF)

## TECHNICAL DATA

Description	KMF 115	KMF 240	KMF 720
<b>Measures - Outer dimensions</b>			
Width net [mm]	880	930	1250
Height net [mm]	1050	1465	1925
Depth net [mm]	650	800	890
<b>Measures - Internal Dimensions</b>			
Width [mm]	600	650	973
Height [mm]	483	785	1250
Depth [mm]	351	485	576
<b>Measures</b>			
Interior volume [L]	102	247	700
Net weight of the unit (empty) [kg]	127	179	295
permitted load [kg]	100	100	150
Load per rack [kg]	30	30	45
<b>Performance Data Temperature</b>			
Temperature range [°C]	-10...100	-10...100	-10...100
Average heating-up rate according to IEC 60068-3-5 [K/min]	1.3	0.8	0.7
Average cooling down time according to IEC 60068-3-5 [K/min]	0.5	0.4	0.4
<b>Performance Data Climate</b>			
Temperature range [°C]	10...90	10...90	10...90
Temperature variation depending on setpoint [± K]	0.2...1	0.1...1	0.1...1
Temperature fluctuation depending on setpoint [± K]	0.1...0.3	0.1...0.3	0.1...0.5
Humidity range [% RH]	10...98	10...98	10...98
Humidity fluctuation depending on setpoint [± % RH]	≤2,5	≤2	≤2
<b>Electrical data</b>			
Nominal power (version 230 V) [kW]	2	2.1	3.1
Nominal power (version 240 V) [kW]	2	2.1	3.1
<b>Fixtures</b>			
Number of shelves (std./max.)	1/5	1/9	1/15

## ORDERING INFORMATION [Art. No.]

**Further details:** Go to [www.binder-world.com](http://www.binder-world.com) > Search > Enter Article Number

Voltage	Option model	KMF 115	KMF 240	KMF 720
200...230 V 1 50/60 Hz	Standard	9020-0341	9020-0343	9020-0345
200...240 V 1 50/60 Hz	Standard	9020-0342	9020-0344	9020-0346

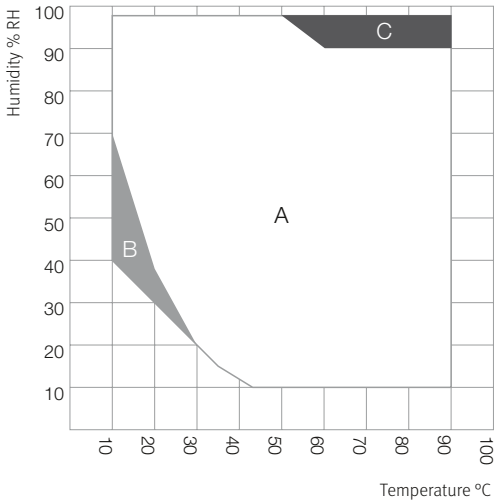
► You will find a selection of options, accessories and services suitable for each product on page 18

## EXTRACT OF FULLFILLED STANDARDS

- ICH Q1A(R2)



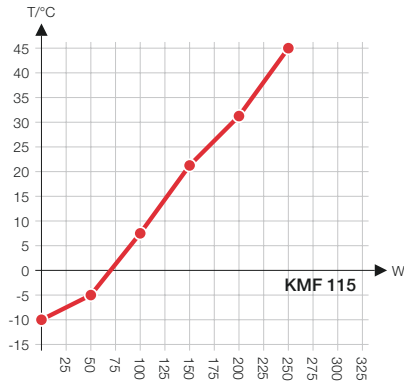
TEMPERATURE-HUMIDITY CHART



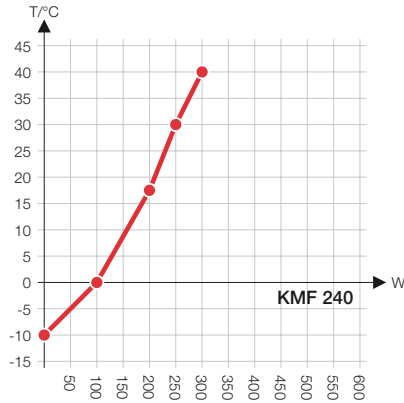
- A: Guaranteed condensation-free range
- B: Time-limited operation (max. 24 hours)
- C: Condensation in the inner chamber may be possible

HEAT COMPENSATION

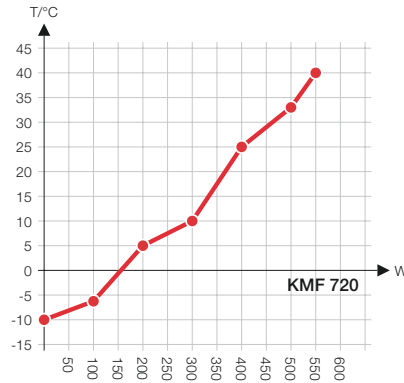
KMF 115



KMF 240

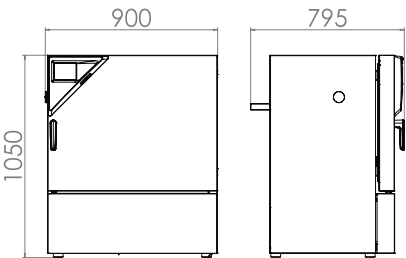


KMF 720

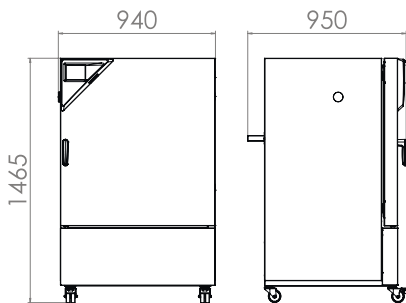


DIMENSIONS incl. fittings and connections [mm]

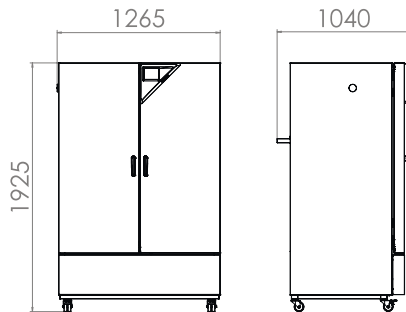
KMF 115



KMF 240



KMF 720



## EXCERPT FROM OPTIONS AND ACCESSORIES

---

### Access port with silicone plug

For introducing external measuring instruments. Large selection of different diameters and positions (left, right, or top)

Series KBF, KBF P, KBF LQC, KMF

---

### BINDER PURE AQUA Service

System for preparation or complete desalination of tap water, containing single-use cartridge, hoses and measuring device.

Series KBF, KBF P, KBF LQC, KMF

---

### Data Logger Kit TH

Independent temperature and humidity data logging. The tailored product solution contains helpful accessories: From the magnetic mounting of the data logger to the BINDER unit and securing sensor cable for accurate readings.

Series KBF, KBF P, KBF LQC, KMF

---

### External water supply set

Flexible water and waste water supply if there are no domestic water connections on site. The set consists of fresh and waste-water containers (20 liters each).

Series KBF, KBF P, KBF LQC, KMF

---

### Reinforced shelf racks

Shelves or racks to ensure safe and stable storage of heavy test specimens.

Series KBF, KBF P, KBF LQC, KMF

---

### IQ/OQ qualification folder

Supporting documents for validation performed by customer, consisting of: IQ/OQ checklists, unit schematics, QM certificate in accordance with ISO 9001.

Series KBF, KBF P, KBF LQC, KMF

---

### Services

You can access our installation, maintenance, calibration, validation, or warranty services by taking out a Maintenance Service Agreement or by simply getting in touch when you need us. More information is available in the accessories and services chapter.

Series KBF, KBF P, KBF LQC, KMF

---

### BINDER INDIVIDUAL

Using a BINDER series production product as a basis, we develop individual solutions as a single unit or in small batches. All products are tested, certified, and supplied with a full functional guarantee and warranty. More information is available in the accessories and services chapter.

Series KBF, KBF P, KBF LQC, KMF

---

► All extras online [go2binder.com/en-options](https://go2binder.com/en-options)

---



Access port with silicone plug



BINDER PURE AQUA Service



Data Logger



External water supply set



# BINDER products

CO<sub>2</sub> incubators

Incubators

Cooling incubators

Growth chambers

Ultralow temperature freezers

Drying and heating chambers

Safety drying chambers

Vacuum drying chambers

Constant climate chambers

Dynamic climate chambers



Never miss a product novelty -  
Subscribe and keep up to speed with  
the BINDER monthly newsletter.

**Subscription**

[go2binder.com/en-newsletter-subscription](http://go2binder.com/en-newsletter-subscription)



Best conditions for your success

## **BINDER GmbH**

Tuttlingen, Germany

Tel +49 7462 2005 0  
Fax +49 7462 2005 100  
[info@binder-world.com](mailto:info@binder-world.com)  
[www.binder-world.com](http://www.binder-world.com)

## **BINDER Asia Pacific (Hong Kong) Ltd.**

Kowloon, Hong Kong, P.R. China

Tel +852 39070500  
Fax +852 39070507  
[asia@binder-world.com](mailto:asia@binder-world.com)  
[www.binder-world.com](http://www.binder-world.com)

## **BINDER Environmental Testing Equipment (Shanghai) Co., Ltd.**

Shanghai, P.R.China

Tel +86 21 685 808 25  
Fax +86 21 685 808 29  
[china@binder-world.com](mailto:china@binder-world.com)  
[www.binder-world.com](http://www.binder-world.com)

## **Representative Office for CIS**

Moscow, Russia

Tel +7 495 988 15 16  
Fax +7 495 988 15 17  
[russia@binder-world.com](mailto:russia@binder-world.com)  
[www.binder-world.ru](http://www.binder-world.ru)

## **BINDER Inc.**

Bohemia, NY, USA

Tel +1 631 224 4340  
Fax +1 631 224 4354  
[usa@binder-world.com](mailto:usa@binder-world.com)  
[www.binder-world.us](http://www.binder-world.us)