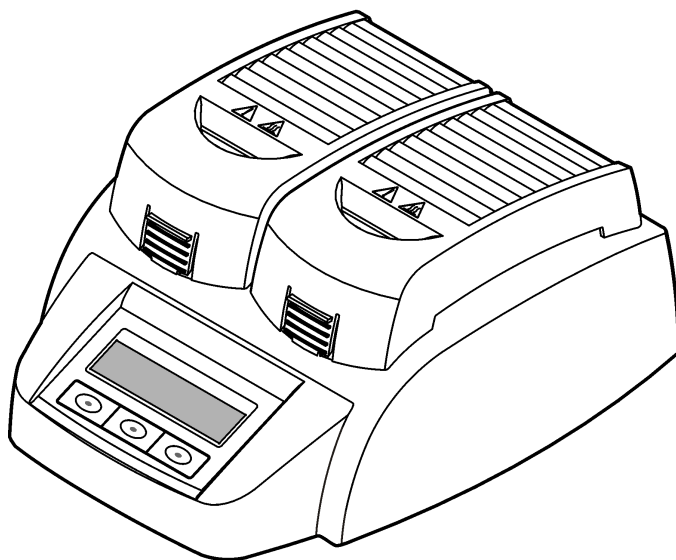




# LT 200 / DRB 200

05/2018, Edition 3



**User Manual**  
**Benutzerhandbuch**  
**Manuale utente**  
**Manuel de l'utilisateur**  
**Manual del usuario**  
**Manual do utilizador**  
**Návod k použití**  
**Brugervejledning**  
**Gebbruikershandleiding**  
**Instrukcja obsługi**  
**Bruksanvisning**  
**Käyttöopas**  
**Ръководство за потребителя**  
**Felhasználói kézikönyv**  
**Manual de utilizare**  
**Naudotojo vadovas**  
**Руководство пользователя**  
**Kullanıcı Kılavuzu**  
**Návod na použitie**  
**Navodila za uporabo**  
**Korisnički priručnik**  
**Εγχειρίδιο χρήστη**  
**Kasutusjuhend**  
**Priručnik za korisnika**

English.....	3
Deutsch.....	13
Italiano.....	24
Français.....	34
Español.....	45
Português.....	55
Čeština.....	65
Dansk.....	75
Nederlands.....	85
Polski.....	95
Svenska.....	105
Suomi.....	115
български.....	125
Magyar.....	136
Română.....	146
lietuvių kalba.....	156
Русский.....	166
Türkçe.....	177
Slovenský jazyk.....	187
Slovenski.....	197
Hrvatski.....	207
Ελληνικά.....	217
eesti keel.....	228
Српски.....	238

## Table of contents

<a href="#">Specifications</a> on page 3	<a href="#">Operation</a> on page 8
<a href="#">General information</a> on page 3	<a href="#">Maintenance</a> on page 11
<a href="#">Installation</a> on page 5	<a href="#">Troubleshooting</a> on page 12
<a href="#">User interface and navigation</a> on page 7	<a href="#">Replacement parts and accessories</a> on page 12
<a href="#">Startup</a> on page 8	

## Specifications

Specifications are subject to change without notice.

Specification	Details
Dimensions	25 x 14.5 x 31 cm (9.8 x 5.7 x 12.2 in.)
Weight	Single heating block: 2 kg (4.4 lb) Dual heating block: 2.8 kg (6.17 lb)
Power requirements	100–240 V, +5%/–15%, 50/60 Hz, Protection Class I
Power input	Single heating block: 115 V: 300 VA; 230 V: 450 VA Dual heating block: 115 V: 600 VA; 230 V: 900 VA
Storage temperature	–40 to +60 °C (–40 to +140 °F)
Operating temperature	10 to 45 °C (50 to 113 °F)
Operating humidity	90% (non-condensing)
Temperature range	LT 200: 37 to 150 °C (98.6 to 302 °F) DRB 200: 37 to 165 °C (98.6 to 329 °F) Timer: 0 to 480 minutes
Temperature stability	LT 200: ± 1 °C (± 2 °F) DRB 200: ± 2 °C (± 3.5 °F)

Specification	Details
Heating rate	LT 200: From 20 to 148 °C (68 to 298 °F) in 10 min (to DIN 38409-44) DRB 200: From 20 to 150 °C (68 to 302 °F) in 10 minutes
Certification	CE and cTUVus

## General information

In no event will the manufacturer be liable for direct, indirect, special, incidental or consequential damages resulting from any defect or omission in this manual. The manufacturer reserves the right to make changes in this manual and the products it describes at any time, without notice or obligation. Revised editions are found on the manufacturer's website.

## Safety information

### NOTICE

The manufacturer is not responsible for any damages due to misapplication or misuse of this product including, without limitation, direct, incidental and consequential damages, and disclaims such damages to the full extent permitted under applicable law. The user is solely responsible to identify critical application risks and install appropriate mechanisms to protect processes during a possible equipment malfunction.

Please read this entire manual before unpacking, setting up or operating this equipment. Pay attention to all danger and caution statements. Failure to do so could result in serious injury to the operator or damage to the equipment.

Make sure that the protection provided by this equipment is not impaired. Do not use or install this equipment in any manner other than that specified in this manual.

## Use of hazard information

### **DANGER**

Indicates a potentially or imminently hazardous situation which, if not avoided, will result in death or serious injury.

### **WARNING**

Indicates a potentially or imminently hazardous situation which, if not avoided, could result in death or serious injury.

### **CAUTION**



Indicates a potentially hazardous situation that may result in minor or moderate injury.



### **NOTICE**

Indicates a situation which, if not avoided, may cause damage to the instrument. Information that requires special emphasis.

## Precautionary labels

Read all labels and tags attached to the instrument. Personal injury or damage to the instrument could occur if not observed. A symbol, if noted on the instrument, will be included with a danger or caution statement in the manual.

	This symbol, if noted on the instrument, references the instruction manual for operation and/or safety information.
	Electrical equipment marked with this symbol may not be disposed of in European domestic or public disposal systems. Return old or end-of-life equipment to the manufacturer for disposal at no charge to the user.

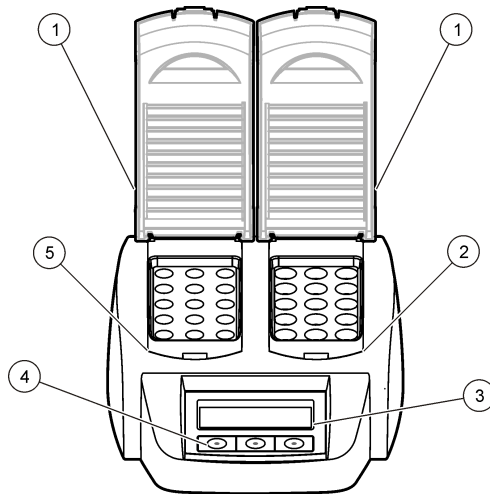
	This symbol indicates that the marked item can be hot and should not be touched without care.
	This symbol indicates that the marked item requires a protective earth connection. If the instrument is not supplied with a ground plug on a cord, make the protective earth connection to the protective conductor terminal.

## Product overview

This instrument has one or two heating blocks that increase the temperature of solutions in round sample cells to a specified temperature for a specified time period ([Figure 1](#)).

The LT 200 has three stored temperature programs and six temperature programs that are configured by the user and saved. The DRB 200 has six stored temperature programs and three temperature programs that are configured by the user and saved.

Figure 1 Front view



## Installation

### Install the protective covers

#### **▲ WARNING**

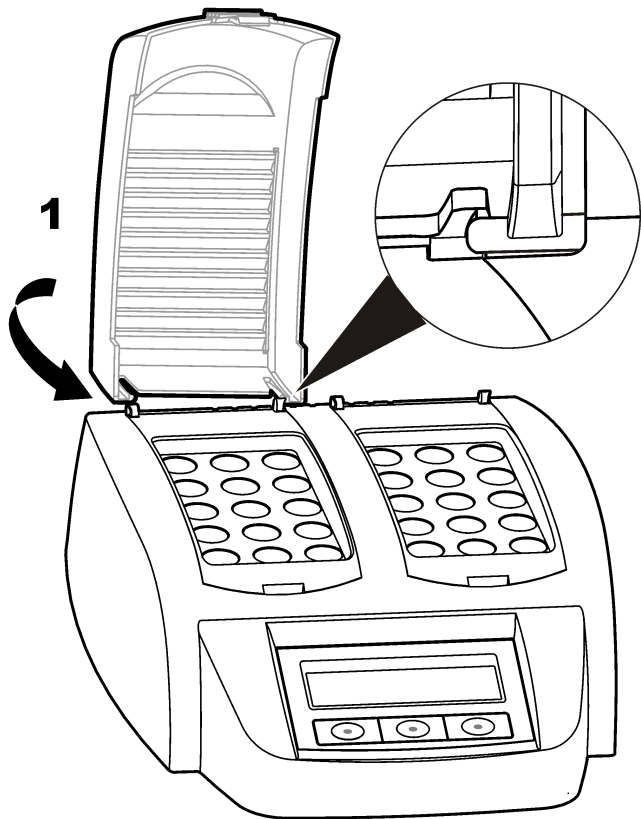


Shock and Burn Hazard. The protective cover must be installed to prevent personal injury. The protective cover prevents burns and power cord contact with the heating block.

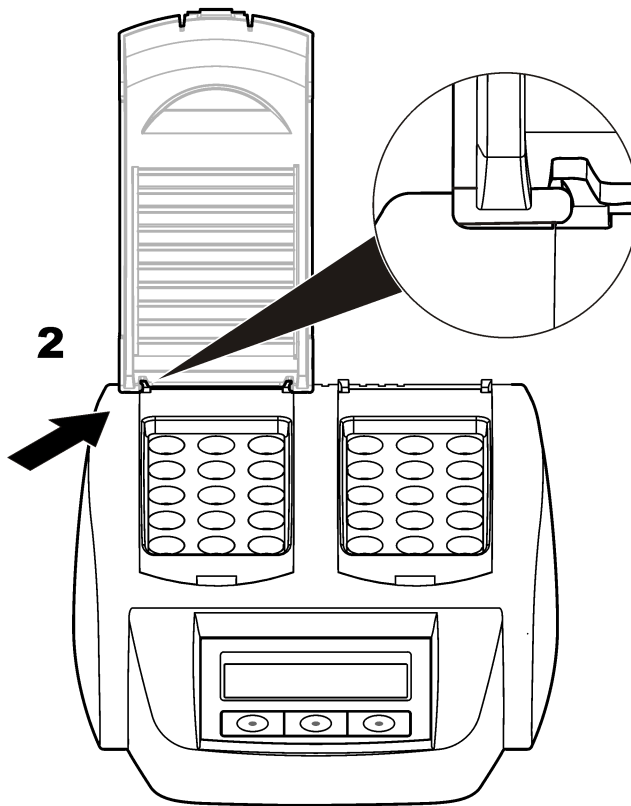
Refer to the illustrated steps that follow.

1 Protective cover	3 Display	5 Left heating block
2 Right heating block	4 Keys	

1



2

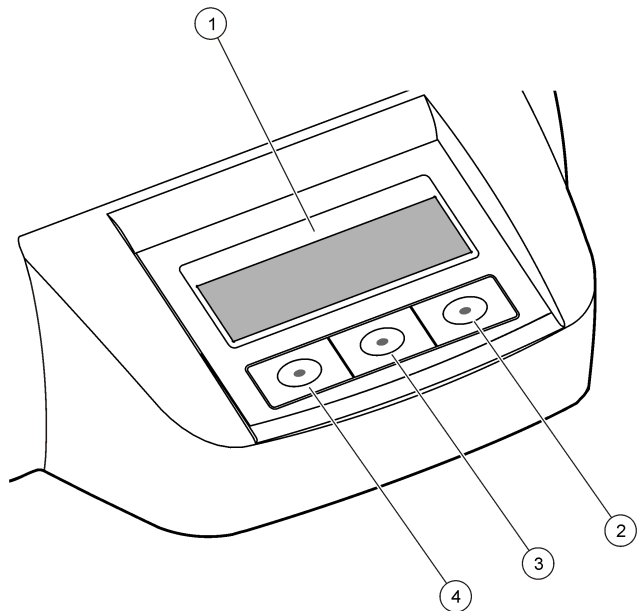


## User interface and navigation

### User interface

The instrument is operated using three keys that are located below the display (Figure 2). The function of each key is shown on the display. If no function is shown for a key, that key is not currently active.

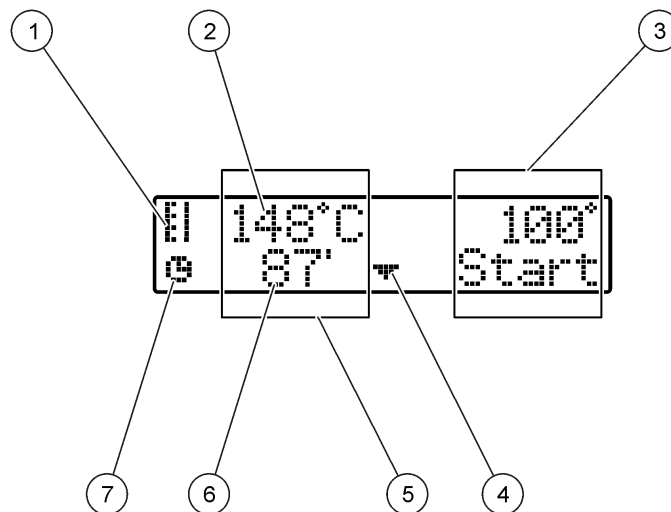
Figure 2 Keypad description



1 Display	3 Middle key
2 Right key	4 Left key


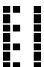
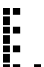
### Display description

Figure 3 Screen display when a program is active on the left heating block only



1 Thermometer symbol	5 Left heating block
2 Temperature of heating block	6 Remaining time
3 Right heating block	7 Timer symbol
4 Down arrow key (use to select program)	

**Table 1 Thermometer symbols**

Symbol	Description
	The heating block is increasing in temperature.
	The heating block is at the selected temperature.
	The heating block is decreasing in temperature.

## Startup

### Turn the instrument on

#### NOTICE

Do not turn the instrument off and on quickly as this can damage the instrument. Always wait about 20 seconds before turning the instrument on again.

1. Put the instrument on a stable, level, heat-resistant surface.
2. Connect the power cord to the power plug on the back of the instrument.
3. Connect the power cord to a power socket with earthing contact.
4. Push the power switch on the back of the instrument to turn the instrument on.

The first time the instrument is turned on, the language selection screen is shown. Refer to [Select the language](#) on page 8.

### Select the language

1. Hold down the left key and turn the instrument on.
2. Push the right arrow key to scroll through the menu. The display goes back to the start of the menu at the end of the menu.

3. When the correct language is shown, push the key for the language. Refer to [Table 2](#).



**Table 2 Language settings**

Setting	Language	Setting	Language
GB	English	E	Spanish
D	German	NL	Dutch
F	French	S	Swedish
I	Italian	PL	Polish


### Set the display contrast

1. Hold down the middle key and turn the instrument on.
2. Push or hold down the up and down arrow keys to change the contrast value.
3. Push **OK** to save the change.

### Operation

⚠ DANGER	
 	<p>Chemical exposure hazard. Obey laboratory safety procedures and wear all of the personal protective equipment appropriate to the chemicals that are handled. Refer to the current safety data sheets (MSDS/SDS) for safety protocols.</p>

### Routine operation

⚠ CAUTION	
	<p>Burn Hazard. Do not put a finger in an opening in the heating block. Close the protective cover before increasing the temperature of the heating block, and always keep the protective cover closed during operation.</p>



### ▲ CAUTION



Burn Hazard. Sample cells are hot. Wear thermal insulating material (e.g., gloves or finger cots). Do not remove a sample cell that is greater than 80 °C. Do not put a sample cell that is greater than 80 °C in a colorimeter.

### ▲ CAUTION



Chemical Hazard. If a sample cell breaks, do not let the liquid touch skin. Use a fume hood as necessary to remove chemical fumes.

### ▲ CAUTION



Chemical exposure hazard. Dispose of chemicals and wastes in accordance with local, regional and national regulations.

### NOTICE

To prevent sample cell and instrument damage, keep the openings in the heating block dry. Dry the outside of sample cells fully.

### NOTICE

To prevent instrument damage, immediately disconnect power if an accidental spill occurs or a sample cell breaks, then clean the instrument. Refer to [Clean the instrument](#) on page 11.

### NOTICE

Do not cover the ventilation slits in the protective cover. The instrument and sample cells may become too hot and decrease the accuracy of measurement.

1. Prepare the test sample cells as specified in the analysis procedure.
2. Close the sample cells with the cap.
3. Dry the outside of the sample cells fully.
4. Turn the instrument on and open the protective cover. The last temperature program(s) selected is shown on the display.
5. If using 16 mm tubes with a heating block with 20 mm openings, put reducing adapters in the openings.

6. LT 200: Put the test sample cells in the correct heating block and close the protective cover.
7. Select the correct temperature program (and digestion period if applicable) using the keys, then push **Start**. Refer to [Stored programs](#) on page 9. The temperature program is selected independently for each heating block when there are two heating blocks.

*Note: To stop a program, push the key below the program two times.*

LT 200: The digestion program starts. The temperature of the heating block increases to the selected temperature, then the time automatically counts down to zero (0). When the digestion program is completed, three beeps are heard and the heater turns off.

DRB 200: The temperature of the heating block increases to the selected temperature.

8. DRB 200: When the heating block is at the selected temperature (two beeps are heard), put the test sample cells in the correct heating block and close the protective cover. Push **Start** to start the digestion program.

When the digestion program is completed, three beeps are heard and the heater turns off.

## Stored programs

[Table 3](#) provides descriptions of the stored temperature programs for the LT 200. [Table 4](#) provides descriptions of the stored temperature programs for the DRB 200.

**Table 3 Stored programs—LT 200**

Program	Description
COD	Increases the temperature of the sample cells to 148 °C for 120 minutes. In the cooling phase, four beeps are heard when the sample cells are at 80 °C. Remove and carefully invert the sample cells several times, before letting them decrease in temperature in a rack. The COD temperature program can be used for all COD sample cell tests.
100 °C	Increases the temperature of the sample cells to 100 °C for 10, 60 or 120 minutes. For example, the “100 °C, 60 minutes” temperature program is used to: <ul style="list-style-type: none"> <li>• Identify phosphate and chromium</li> <li>• Digest heavy metals</li> <li>• Digest samples using the LCW 902 Crack Set</li> </ul>
40 °C	Increases the temperature of the sample cells to 40 °C for 10 minutes. For example, the “40 °C, 10 minutes” temperature program is used for formaldehyde test or enzymatic food tests.

**Table 4 Stored programs—DRB 200**

Program	Description
COD	Increases the temperature of the sample cells to 150 °C for 120 minutes. In the cooling phase, four beeps are heard when the sample cells are at 120 °C. Remove and carefully invert the sample cells several times, before letting them decrease in temperature in a rack.
TOC	Increases the temperature of the sample cells to 105 °C for 120 minutes. The TOC temperature program can be used for all Hach TOC sample cell tests.

**Table 4 Stored programs—DRB 200 (continued)**

Program	Description
100 °C	Increases the temperature of the sample cells to 100 °C for 30, 60 or 120 minutes. For example, the “100 °C, 60 minutes” temperature program is used to: <ul style="list-style-type: none"> <li>• Digest samples using the Metals Prep Set</li> <li>• Identify phosphate and chromium</li> <li>• Digest heavy metals</li> </ul>
105 °C	Increases the temperature of the sample cells to 105 °C for 30, 60 or 120 minutes.
150 °C	Increases the temperature of the sample cells to 150 °C for 30, 60 or 120 minutes.
165 °C	Increases the temperature of the sample cells to 165 °C for 30, 60 or 120 minutes.

## User programs

The LT 200 has six temperature programs that are configured by the user (PRG1–PRG6). The DRB 200 has three temperature programs that are configured by the user (PRG1–PRG3).

To configure a user temperature program:

1. Select a user temperature program using the keys.
2. Push **Prog** to enter programming mode.
3. Select a 4-character name for the program. Push the left key to change the character. Push the right arrow key to move the cursor to the next position. Push **OK** to save the change.
4. Push or hold down the up and down arrow keys to set the temperature (37 to 150 °C). Push **OK** to save the change.
5. Push or hold down the up and down arrow keys to set the time (0 to 480 minutes). Push **OK** to save the change.
6. Push **OK** to save the program.

## Maintenance

### ⚠ CAUTION



Multiple hazards. Only qualified personnel must conduct the tasks described in this section of the document.

### NOTICE

Do not disassemble the instrument for maintenance. If the internal components must be cleaned or repaired, contact the manufacturer.

## Clean the instrument

Keep the instrument clean to get continuous and accurate operation.

### ⚠ CAUTION



Fire hazard. Do not use flammable agents to clean the instrument.

### ⚠ CAUTION



Burn hazard. Do not clean the instrument when it is hot.

### NOTICE

To prevent instrument damage, do not use cleaning agents such as turpentine, acetone or similar products to clean the instrument including the display.

1. Turn the instrument off and disconnect the power cord.
2. When the instrument is cool, clean the surface of the instrument with a soft, moist cloth and a weak soap solution. Make sure that no water gets into the instrument.

If the liquid in a sample cell spills or a sample cell breaks:

1. Turn the instrument off and disconnect the power cord.
2. Let the temperature of the heating block(s) and sample cells decrease until cool.

3. Remove the liquid with a pipette. Do not let the liquid touch skin.
4. Move the liquid to the correct disposal.
5. Remove broken glass using tweezers. Remove any remaining liquid on the instrument. Do not let the liquid touch skin.

## Measure the temperature of the heating block

Measure the temperature of the heating block to make sure that the temperature shown on the display is correct.

The temperature shown on the display is the temperature in a closed sample cell that is filled with a liquid. While the temperature of the heating block is increasing, the temperature of the heating block, near the heater, may be greater than the temperature shown on the display.

Tools needed:

- Sample cell (LT 200: LCW906, DRB 200: 2275800)
- Glycerol (anhydrous), 5 mL
- Thermometer, stem-type, calibrated for 95 to 155 °C (203 to 311 °F), type 67C to ASTM

To measure the temperature of the heating block:

1. Fill a clean, empty sample cell with glycerol that is at room temperature.
2. Put the thermometer in the sample cell until the thermometer touches the bottom of the sample cell.
3. LT 200: Make sure that the level of the glycerol is 62 mm ± 0.5 mm (2.44 in. ± 0.02 in.) from the bottom of the sample cell when the thermometer is in the sample cell.
4. DRB 200: Make sure that the level of the glycerol is 56 mm ± 0.5 mm (2.20 in. ± 0.02 in.) from the bottom of the sample cell when the thermometer is in the sample cell.
5. Put the sample cell in the center opening of the second row of the heating block.

6. Start a temperature program of 100 °C for 60 minutes using the keys, then push **OK**.
7. When the heating block is at the selected temperature (two beeps are heard), the thermometer temperature should be the same as the temperature shown on the display.

## Troubleshooting

Refer to [Table 5](#) for error messages, possible causes and corrective actions.

**Table 5 Error messages**

Error	Solution
BLOCK IS TOO HOT! PLEASE WAIT	The temperature of the heating block is greater than the selected temperature. Wait until the temperature of the heating block decreases.
INIT ERROR	The instrument is defective. Contact Customer Service.

## Replacement parts and accessories

### ⚠ WARNING



Personal injury hazard. Use of non-approved parts may cause personal injury, damage to the instrument or equipment malfunction. The replacement parts in this section are approved by the manufacturer.

*Note: Product and Article numbers may vary for some selling regions. Contact the appropriate distributor or refer to the company website for contact information.*

### Replacement parts

Description	Quantity	Item no.
Protective cover	1	LZT048

### Accessories—DRB 200

Description	Quantity	Item no.
Reducing adapter, 20 > 16 mm	1	HHA155
Reducing adapter, 16 > 13 mm	1	2895805
Tube, 16 x 100 mm	1	2275800
Tube, 16 x 100 mm	6	2275806
Thermometer, 0 to 200 °C	1	4565500

# Inhaltsverzeichnis

[Technische Daten](#) auf Seite 13

[Durchführung einer Messung](#)  
auf Seite 19

[Allgemeine Informationen](#)  
auf Seite 13

[Wartung](#) auf Seite 21

[Installation](#) auf Seite 15

[Fehlersuche und -behebung](#)  
auf Seite 22

[Benutzeroberfläche und Navigation](#)  
auf Seite 17

[Ersatzteile und Zubehör](#) auf Seite 23

[Inbetriebnahme](#) auf Seite 18

## Technische Daten

Änderungen vorbehalten.

Technische Daten	Details
Abmessungen	25 x 14.5 x 31 cm (9.8 x 5.7 x 12.2 Zoll)
Gewicht	Ein Heizblock: 2 kg (4,4 lb) Zwei Heizblöcke: 2,8 kg (6,17 lb)
Stromanforderungen	100 - 240 V, +5 %/-15 %, 50/60 Hz, Schutzklasse I
Stromversorgung	Ein Heizblock: 115 V: 300 VA; 230 V: 450 VA Zwei Heizblöcke: 115 V: 600 VA; 230 V: 900 VA
Lagertemperatur	-40 bis +60 °C (-40 bis +140 °F)
Betriebstemperatur	10 bis 45 °C (50 bis 113 °F)
Luffeuchtigkeit bei Betrieb	maximal 90% (nicht-kondensierend)
Temperaturbereich	LT 200: 37 bis 150 °C (98,6 to 302 °F) DRB 200: 37 bis 165 °C (98,6 to 329 °F)
	Timer: 0 bis 480 Minuten

Technische Daten	Details
Temperaturstabilität	LT 200: $\pm 1$ °C ( $\pm 2$ °F) DRB 200: $\pm 2$ °C ( $\pm 3,5$ °F)
Heizgeschwindigkeit	LT 200: Von 20 auf 148 °C (68 auf 298 °F) in 10 Minuten (gemäß DIN 38409-44) DRB 200: Von 20 auf 150 °C (68 auf 302 °F) in 10 Minuten
Zertifizierung	CE und cTUVus

## Allgemeine Informationen

Der Hersteller ist nicht verantwortlich für direkte, indirekte, versehentliche oder Folgeschäden, die aus Fehlern oder Unterlassungen in diesem Handbuch entstanden. Der Hersteller behält sich jederzeit und ohne vorherige Ankündigung oder Verpflichtung das Recht auf Verbesserungen an diesem Handbuch und den hierin beschriebenen Produkten vor. Überarbeitete Ausgaben der Bedienungsanleitung sind auf der Hersteller-Webseite erhältlich.

## Sicherheitshinweise

### HINWEIS

Der Hersteller ist nicht für Schäden verantwortlich, die durch Fehlanwendung oder Missbrauch dieses Produkts entstehen, einschließlich, aber ohne Beschränkung auf direkte, zufällige oder Folgeschäden, und lehnt jegliche Haftung im gesetzlich zulässigen Umfang ab. Der Benutzer ist selbst dafür verantwortlich, schwerwiegende Anwendungsrisiken zu erkennen und erforderliche Maßnahmen durchzuführen, um die Prozesse im Fall von möglichen Gerätefehlern zu schützen.

Bitte lesen Sie dieses Handbuch komplett durch, bevor Sie dieses Gerät auspacken, aufstellen oder bedienen. Beachten Sie alle Gefahren- und Warnhinweise. Nichtbeachtung kann zu schweren Verletzungen des Bedieners oder Schäden am Gerät führen.

Stellen Sie sicher, dass die durch dieses Messgerät bereitgestellte Sicherheit nicht beeinträchtigt wird. Verwenden bzw. installieren Sie das Messsystem nur wie in diesem Handbuch beschrieben.

## Bedeutung von Gefahrenhinweisen

### ▲ GEFÄHR

Kennzeichnet eine mögliche oder drohende Gefahrensituation, die, wenn sie nicht vermieden wird, zum Tod oder zu schweren Verletzungen führt.

### ▲ WARNUNG

Kennzeichnet eine mögliche oder drohende Gefahrensituation, die, wenn sie nicht vermieden wird, zum Tod oder zu schweren Verletzungen führen kann.

### ▲ VORSICHT



Kennzeichnet eine mögliche Gefahrensituation, die zu geringeren oder moderaten Verletzungen führen kann.



### HINWEIS

Kennzeichnet eine Situation, die, wenn sie nicht vermieden wird, das Gerät beschädigen kann. Informationen, die besonders beachtet werden müssen.

## Warnhinweise

Lesen Sie alle am Gerät angebrachten Aufkleber und Hinweise. Nichtbeachtung kann Verletzungen oder Beschädigungen des Geräts zur Folge haben. Auf ein am Gerät angebrachtes Symbol wird im Handbuch durch einen Hinweis GEFÄHR oder ACHTUNG verwiesen.

	Dieses Symbol am Gerät weist auf Betriebs- und/oder Sicherheitsinformationen im Handbuch hin.
	Elektrogeräte, die mit diesem Symbol gekennzeichnet sind, dürfen nicht im normalen öffentlichen Abfallsystem entsorgt werden. Senden Sie Altgeräte an den Hersteller zurück. Dieser entsorgt die Geräte ohne Kosten für den Benutzer.

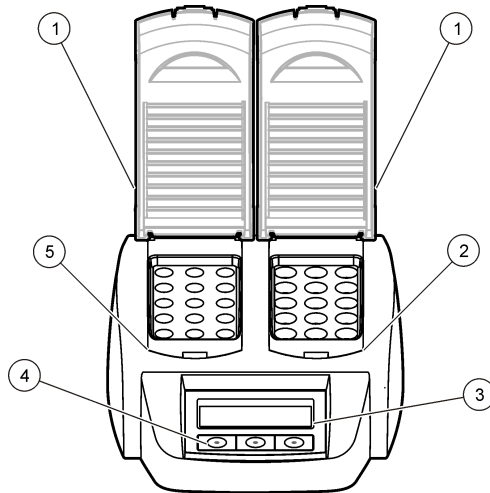
	Dieses Symbol gibt an, dass die bezeichnete Stelle heiß werden kann und deswegen ohne entsprechende Schutzvorkehrungen nicht berührt werden sollte.
	Dieses Symbol weist darauf hin, dass das gekennzeichnete Teil an einen Erdungsschutzleiter angeschlossen werden muss. Wenn das Instrument nicht über einen Netzstecker an einem Kabel verfügt, verbinden Sie die Schutzterde mit der Schutzleiterklemme.

## Produktübersicht

Dieses Gerät verfügt über ein oder zwei Heizblöcke, die die Temperatur der Lösungen in runden Probenküvetten für einen bestimmten Zeitraum auf eine bestimmte Temperatur erhöhen ([Abbildung 1](#)).

Das LT 200 verfügt über drei gespeicherte Temperaturprogramme und sechs Temperaturprogramme, die vom Benutzer konfiguriert und gespeichert werden können. Das DRB 200 verfügt über sechs gespeicherte Temperaturprogramme und drei Temperaturprogramme, die vom Benutzer konfiguriert und gespeichert werden können.

Abbildung 1 Vorderansicht



## Installation

### Installieren der Schutzabdeckungen

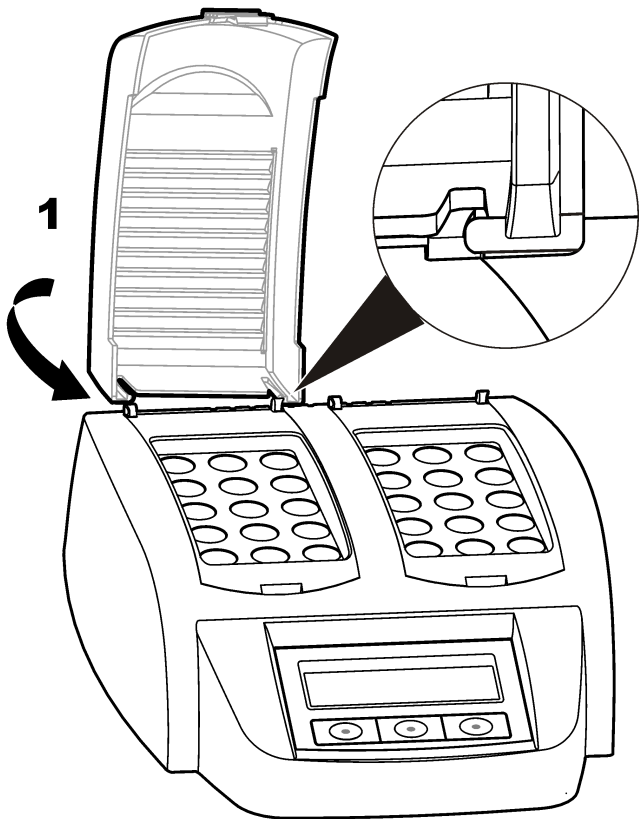
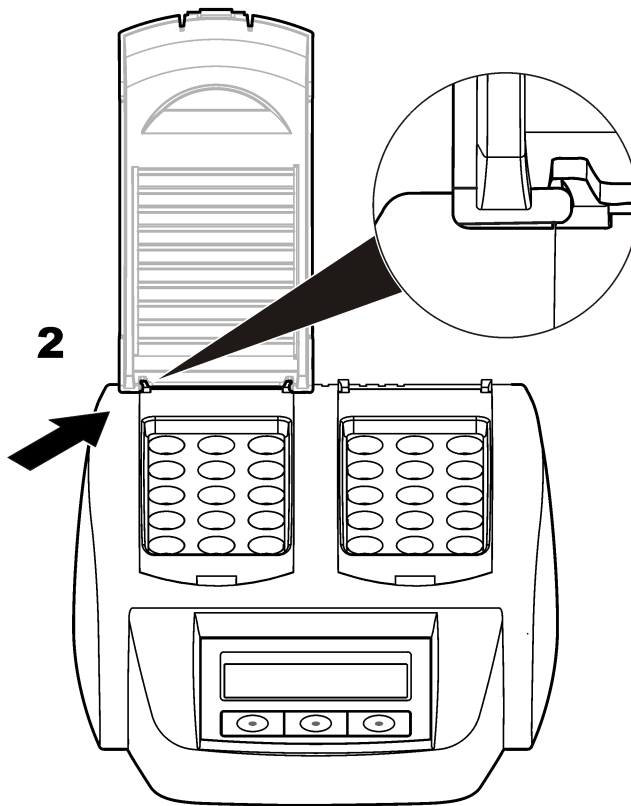
#### ⚠️ WARNUNG



Stromschlag- und Verbrennungsgefahr. Die Schutzabdeckung muss installiert werden, um Personenschäden zu vermeiden. Die Schutzabdeckung verhindert Verbrennungen und den Kontakt des Stromkabels mit dem Heizblock.

Berücksichtigen Sie die folgenden bebilderten Schritte.

1 Schutzabdeckung	3 Anzeige	5 Linker Heizblock
2 Rechter Heizblock	4 Tasten	

**1****2**

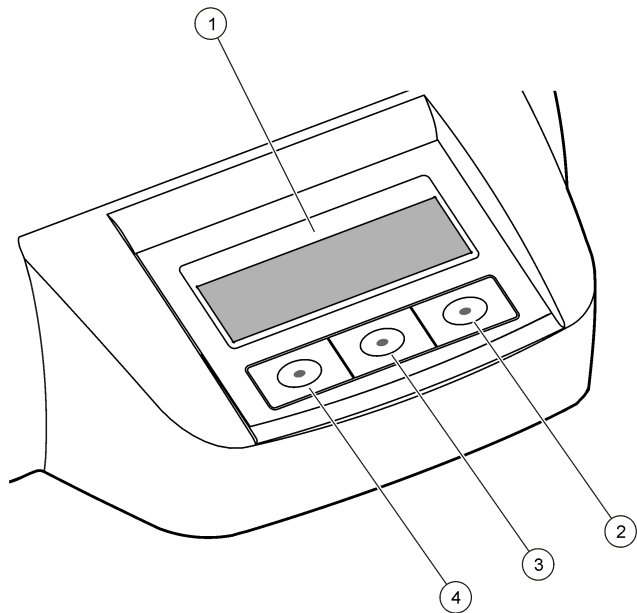


## Benutzeroberfläche und Navigation

### Benutzeroberfläche

Das Gerät wird mittels der drei Tasten unterhalb des Displays bedient (Abbildung 2). Die Funktion jeder Taste wird auf dem Display angezeigt. Wenn für eine Taste keine Funktion angezeigt wird, ist diese Taste momentan nicht aktiv.

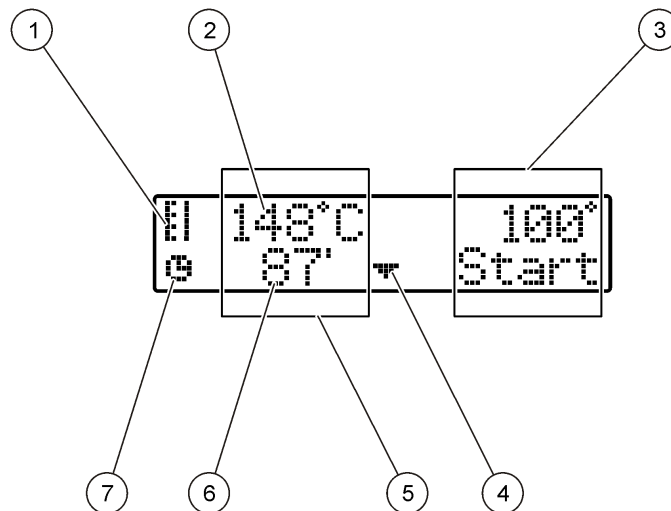
Abbildung 2 Beschreibung des Tastenfelds



1 Display	3 Mittlere Taste
2 Rechte Taste	4 Linke Taste

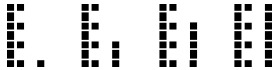
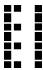

## Displaybeschreibung

Abbildung 3 Bildschirmanzeige nur, wenn ein Programm am linken Heizblock aktiv ist



1 Thermometersymbol	5 Linker Heizblock
2 Temperatur des Heizblocks	6 Verbleibende Zeit
3 Rechter Heizblock	7 Timersymbol
4 Pfeiltaste nach unten (zum Auswählen des Programms)	

**Tabelle 1 Thermometersymbole**

Symbol	Beschreibung
	Die Temperatur des Heizblocks steigt.
	Der Heizblock hat die gewählte Temperatur erreicht.
	Die Temperatur des Heizblocks sinkt.

## Inbetriebnahme

### Einschalten des Geräts

#### HINWEIS

Schalten Sie das Gerät nicht schnell nacheinander ein und aus, da das Gerät dadurch beschädigt werden kann. Warten Sie immer ca. 20 Sekunden, bevor Sie das Gerät wieder einschalten.

1. Stellen Sie das Gerät auf eine stabile, gerade, wärmebeständige Fläche.
2. Schließen Sie das Stromkabel an den Stromversorgungsanschluss an der Geräterückseite an.
3. Schließen Sie das Stromkabel an einer Steckdose mit Massekontakt an.
4. Drücken Sie auf den Netzschalter auf der Geräterückseite, um das Gerät einzuschalten.

Wenn Sie das Gerät zum ersten Mal einschalten, wird automatisch die Liste zur Auswahl einer Sprache geöffnet. Siehe [Wählen der Sprache](#) auf Seite 18.

## Wählen der Sprache

1. Halten Sie die linke Taste gedrückt und schalten Sie das Gerät ein.
2. Drücken Sie die rechte Pfeiltaste, um durch das Menü zu blättern. Am Ende des Menüs kehrt die Anzeige zum Anfang zurück.
3. Wenn die korrekte Sprache angezeigt wird, drücken Sie die Taste für die Sprache. Siehe [Tabelle 2](#).



**Tabelle 2 Spracheinstellungen**

Einstellung	Sprache	Einstellung	Sprache
GB	Englisch	E	Spanisch
D	Deutsch	NL	Niederländisch
F	Französisch	S	Schwedisch
I	Italienisch	PL	Polnisch


## Einstellen des Anzeigecontrasts


1. Halten Sie die mittlere Taste gedrückt und schalten Sie das Gerät ein.
2. Drücken Sie die Pfeiltasten nach oben und unten oder halten Sie sie gedrückt, um den Kontrastwert zu ändern.
3. Drücken Sie auf **OK**, um die Änderungen zu speichern.


## Durchführung einer Messung


▲ GEFÄHR	
	Gefahr von Kontakt mit Chemikalien. Halten Sie sich an die Sicherheitsmaßnahmen im Labor, und tragen Sie Schutzkleidung entsprechend den Chemikalien, mit denen Sie arbeiten. Beachten Sie die Sicherheitsprotokolle in den aktuellen Material Sicherheitsdatenblättern (MSDS/SDB).
	

## Routinebetrieb

▲ VORSICHT	
	Verbrennungsgefahr. Stecken Sie die Finger nicht in die Öffnung im Heizblock. Schließen Sie die Schutzabdeckung, bevor Sie die Temperatur des Heizblocks erhöhen, und halten Sie die Schutzabdeckung während des Betriebs geschlossen.

▲ VORSICHT	
	Verbrennungsgefahr. Probenküvetten sind heiß. Tragen Sie thermisch isolierendes Material (z. B. Handschuhe oder Fingerlinge). Entnehmen Sie Probenküvetten nicht, wenn ihre Temperatur über 80 °C liegt. Geben Sie keine Probenküvetten, deren Temperatur über 80 °C liegt, in einen Kolorimeter.

▲ VORSICHT	
	Gefahren durch Chemikalien. Wenn eine Probenküvette zerbricht, achten Sie darauf, dass die Flüssigkeit nicht in Kontakt mit der Haut kommt. Verwenden Sie gegebenenfalls ein Digestorium, um chemische Dämpfe abzuleiten.

▲ VORSICHT	
	Gefahr von Kontakt mit Chemikalien. Entsorgen Sie Chemikalien und Abfälle gemäß lokalen, regionalen und nationalen Vorschriften.

### HINWEIS

Um Schäden an der Küvette und dem Gerät zu vermeiden, halten Sie die Öffnungen des Heizblocks trocken. Trocknen Sie die Außenseiten der Probenküvetten sorgfältig.

### HINWEIS

Um Schäden am Gerät zu vermeiden, trennen Sie sofort die Stromversorgung, wenn Flüssigkeit versehentlich verschüttet wird oder eine Probenküvette zerbricht. Reinigen Sie das Gerät anschließend. Siehe [Reinigung des Gerätes](#) auf Seite 21.

### HINWEIS

Decken Sie die Belüftungsschlitze in der Schutzabdeckung nicht ab. Das Gerät und die Probenküvetten werden sonst eventuell zu heiß, und die Messgenauigkeit ist nicht mehr gewährleistet.

1. Bereiten Sie die Testprobenküvetten wie in der Analyseverfahrensweise beschrieben vor.
2. Schließen Sie die Probenküvetten mit dem Verschluss.
3. Trocknen Sie die Außenseiten der Probenküvetten sorgfältig.
4. Schalten Sie das Gerät ein und öffnen Sie die Schutzabdeckung. Das zuletzt ausgewählte Temperaturprogramm wird auf dem Display angezeigt.
5. Wenn Sie 16 mm Röhrchen mit einem Heizblock mit 20 mm Öffnungen verwenden, setzen Sie die Verkleinerungsadapter in die Öffnungen ein.
6. LT 200: Stellen Sie die Probenküvetten in den korrekten Heizblock und schließen Sie die Schutzabdeckung.
7. Wählen Sie das korrekte Temperaturprogramm (und gegebenenfalls den Digestionszeitraum) mit den Tasten aus und drücken Sie auf **Start**. Siehe [Gespeicherte Programme](#) auf Seite 20. Das Temperaturprogramm wird für jeden Heizblock einzeln ausgewählt, wenn es zwei Heizblöcke gibt.

**Hinweis:** Um ein Programm anzuhalten, drücken Sie die Taste unter dem Programm zweimal.

LT 200: Das Digestionsprogramm startet. Die Temperatur des Heizblocks steigt auf die gewählte Temperatur, dann zählt die Zeit automatisch bis auf null (0) zurück. Wenn das Digestionsprogramm

abgeschlossen ist, ertönen drei Pieptöne und das Heizelement schaltet sich aus.

DRB 200: Die Temperatur des Heizblocks steigt auf die gewählte Temperatur.

8. DRB 200: Wenn der Heizblock die gewählte Temperatur erreicht hat (zwei Pieptöne), stellen Sie die Testprobenküvetten in den korrekten Heizblock und schließen Sie die Schutzabdeckung. Drücken Sie auf **Start**, um das Digestionsprogramm zu starten.

Wenn das Digestionsprogramm abgeschlossen ist, ertönen drei Pieptöne und das Heizelement schaltet sich aus.

## Gespeicherte Programme

[Tabelle 3](#) enthält Beschreibungen der gespeicherten Temperaturprogramme für das LT 200. [Tabelle 4](#) enthält Beschreibungen der gespeicherten Temperaturprogramme für das DRB 200.

**Tabelle 3 Gespeicherte Programme – LT 200**

speichern	Beschreibung
CSB	Erhöht die Temperatur der Probenküvetten für 120 Minuten auf 148 °C. In der Abkühlungsphase ertönen vier Pieptöne, wenn die Probenküvetten 80 °C erreicht haben. Entnehmen und drehen Sie die Probenküvetten mehrmals vorsichtig um, bevor Sie sie in einem Gestell abkühlen lassen.  Das CSB-Temperaturprogramm kann für alle CSB-Probenküvettentests verwendet werden.
100 °C	Erhöht die Temperatur der Probenküvetten für 10, 60 oder 120 Minuten auf 100 °C.  Das Temperaturprogramm „100 °C, 60 Minuten“ wird zum Beispiel für folgende Anwendungen verwendet: <ul style="list-style-type: none"> <li>• Identifizieren von Phosphat und Chrom</li> <li>• Digerieren von Schwermetallen</li> <li>• Digerieren der Proben mit dem LCW 902 Crack Set</li> </ul>
40 °C	Erhöht die Temperatur der Probenküvetten für 10 Minuten auf 40 °C.  Das Programm „40 °C, 10 Minuten“ wird zum Beispiel für Formaldehydtests oder enzymatische Lebensmitteltests verwendet.

**Tabelle 4 Gespeicherte Programme – DRB 200**

Programm	Beschreibung
CSB	Erhöht die Temperatur der Probenküvetten für 120 Minuten auf 150 °C. In der Abkühlungsphase ertönen vier Pieptöne, wenn die Probenküvetten 120 °C erreicht haben. Entnehmen und drehen Sie die Probenküvetten mehrmals vorsichtig um, bevor Sie sie in einem Gestell abkühlen lassen.
TOC	Erhöht die Temperatur der Probenküvetten für 120 Minuten auf 105 °C. Das TOC-Temperaturprogramm kann für alle Hach TOC-Probenküvettentests verwendet werden.

**Tabelle 4 Gespeicherte Programme – DRB 200 (fortgesetzt)**

Programm	Beschreibung
100 °C	Erhöht die Temperatur der Probenküvetten für 30, 60 oder 120 Minuten auf 100 °C. Das Temperaturprogramm „100 °C, 60 Minuten“ wird zum Beispiel für folgende Anwendungen verwendet: <ul style="list-style-type: none"> <li>• Digerieren der Proben mit dem Metallvorbereitungsset</li> <li>• Identifizieren von Phosphat und Chrom</li> <li>• Digerieren von Schwermetallen</li> </ul>
105 °C	Erhöht die Temperatur der Probenküvetten für 30, 60 oder 120 Minuten auf 105 °C.
150 °C	Erhöht die Temperatur der Probenküvetten für 30, 60 oder 120 Minuten auf 150 °C.
165 °C	Erhöht die Temperatur der Probenküvetten für 30, 60 oder 120 Minuten auf 165 °C.

## Benutzerprogramme

Das LT 200 hat sechs Temperaturprogramme, die vom Benutzer konfiguriert werden (PRG1 - PRG6). Das DRB 200 hat drei Temperaturprogramme, die vom Benutzer konfiguriert werden (PRG1 - PRG3).

So konfigurieren Sie ein benutzerdefiniertes Temperaturprogramm:

1. Wählen Sie mithilfe der Tasten ein benutzerdefiniertes Temperaturprogramm aus.
2. Drücken Sie auf **Prog**, um den Programmmodus zu starten.
3. Wählen Sie einen Namen (4 Zeichen) für das Programm. Drücken Sie auf die linke Taste, um das Zeichen zu ändern. Drücken Sie auf die rechte Pfeiltaste, um den Cursor an die nächste Position zu verschieben. Drücken Sie auf **OK**, um die Änderungen zu speichern.
4. Drücken Sie auf die Pfeiltasten nach oben und unten oder halten Sie sie gedrückt, um die Temperatur (37 bis 150 °C) festzulegen. Drücken Sie auf **OK**, um die Änderungen zu speichern.

5. Drücken Sie auf die Pfeiltasten nach oben und unten oder halten Sie sie gedrückt, um die Zeit (0 bis 480 Minuten) festzulegen. Drücken Sie auf **OK**, um die Änderungen zu speichern.
6. Drücken Sie auf **OK**, um das Programm zu speichern.

## Wartung

### ⚠ VORSICHT



Mehrere Gefahren. Nur qualifiziertes Personal sollte die in diesem Kapitel des Dokuments beschriebenen Aufgaben durchführen.

### HINWEIS

Nehmen Sie das Gerät nicht zur Wartung auseinander. Falls eine Reinigung oder Instandsetzung von internen Bauteilen erforderlich ist, wenden Sie sich an den Hersteller.

## Reinigung des Gerätes

Für einen kontinuierlichen und akkuraten Betrieb sollte das Gerät regelmäßig gereinigt werden.

### ⚠ VORSICHT



Brandgefahr. Verwenden Sie zum Reinigen des Geräts keine entflammaren Reinigungsmittel.

### ⚠ VORSICHT



Verbrennungsgefahr. Reinigen Sie das Gerät nicht, wenn es heiß ist.

### HINWEIS

Um Schäden am Gerät zu vermeiden, verwenden Sie keine Reinigungsmittel wie Terpentin, Aceton oder ähnliche Produkte zum Reinigen des Geräts und des Displays.

1. Schalten Sie das Gerät aus und trennen Sie die Stromverbindung.
2. Nachdem das Gerät abgekühlt ist, reinigen Sie die Oberfläche des Geräts mit einem weichen, feuchten Tuch und einer milden Seifenlösung. Achten Sie darauf, dass kein Wasser in das Gerät eindringt.

Wenn die Flüssigkeit einer Probenküvette verschüttet wird oder eine Probenküvette zerbricht:

1. Schalten Sie das Gerät aus und trennen Sie das Netzkabel.
2. Warten Sie, bis die Temperatur der Heizblöcke und Probenküvetten gesunken ist.
3. Entfernen Sie die Flüssigkeit mit einer Pipette. Achten Sie darauf, dass die Flüssigkeit nicht in Berührung mit der Haut kommt.
4. Entsorgen Sie die Flüssigkeit entsprechend den Vorschriften.
5. Entfernen Sie Glassplitter mit der Pinzette. Entfernen Sie die restliche Flüssigkeit am Gerät. Achten Sie darauf, dass die Flüssigkeit nicht in Berührung mit der Haut kommt.

## Messen der Temperatur des Heizblocks

Messen Sie die Temperatur des Heizblocks um sicherzustellen, dass die auf dem Display angezeigte Temperatur korrekt ist.

Die auf dem Display angezeigte Temperatur entspricht der Temperatur in einer geschlossenen Probenküvette, die mit Flüssigkeit gefüllt ist. Während die Temperatur des Heizblocks steigt, kann die Temperatur des Heizblocks in der Nähe der Heizung höher sein als die auf dem Display angezeigte Temperatur.

Erforderliche Werkzeuge:

- Probenküvette (LT 200: LCW906, DRB 200: 2275800)
- Glycerin (wasserfrei), 5 mL
- Thermometer, Stabtyp, kalibriert für 95 bis 155 °C (203 bis 311 °F), Typ 67C bis ASTM

So messen Sie die Temperatur des Heizblocks:

1. Füllen Sie eine saubere, leere Probenküvette mit Glycerol, das Raumtemperatur hat.

2. Stellen Sie das Thermometer in die Probenküvette, sodass das Thermometer den Boden der Probenküvette berührt.
3. LT 200: Vergewissern Sie sich, dass der Stand des Glycerols bei 62 mm ± 0,5 mm (2,44 Zoll ± 0,02 Zoll) vom Boden der Probenküvette ist, nachdem das Thermometer in die Probenküvette gestellt wurde.
4. DRB 200: Vergewissern Sie sich, dass der Stand des Glycerols bei 56 mm ± 0,5 mm (2,20 Zoll ± 0,02 Zoll) vom Boden der Probenküvette ist, nachdem das Thermometer in die Probenküvette gestellt wurde.
5. Stellen Sie die Probenküvette in die mittlere Öffnung der zweiten Reihe des Heizblocks.
6. Wählen Sie das Temperaturprogramm von 100 °C für 60 Minuten mit den Tasten aus, drücken Sie dann auf **OK**.
7. Wenn der Heizblock die gewählte Temperatur erreicht hat (zwei Pieptöne), sollte die Temperatur des Thermometers der auf dem Display angezeigten Temperatur entsprechen.

## Fehlersuche und -behebung

Informationen zu Fehlermeldungen, möglichen Ursachen und Korrekturmaßnahmen finden Sie unter [Tabelle 5](#).

**Tabelle 5 Fehlermeldungen**

Fehler	Lösung
BLOCK ZU HEISS! BITTE WARTEN	Die Temperatur des Heizblocks ist höher als die ausgewählte Temperatur. Warten Sie, bis die Temperatur des Heizblocks gesunken ist.
INIT FEHLER	Das Gerät ist defekt. Wenden Sie sich an den Kundendienst.

## Ersatzteile und Zubehör

### ⚠ WARNUNG



Verletzungsgefahr. Die Verwendung nicht zugelassener Teile kann zur Verletzung von Personen, zu Schäden am Messgerät oder zu Fehlfunktionen der Ausrüstung führen. Die Ersatzteile in diesem Abschnitt sind vom Hersteller zugelassen.

*Hinweis: Produkt- und Artikelnummern können für einige Verkaufsgebiete abweichen. Wenden Sie sich an den zuständigen Distributor oder schlagen Sie die Kontaktinformationen auf der Webseite des Unternehmens nach.*

### Ersatzteile

Beschreibung	Menge	Artikelnr.
Schutzabdeckung	1	LZT048

### Zubehör – DRB 200

Beschreibung	Menge	Artikelnr.
Verkleinerungsadapter, 20 > 16 mm	1	HH155
Verkleinerungsadapter, 16 > 13 mm	1	2895805
Röhrchen, 16 x 100 mm	1	2275800
Röhrchen, 16 x 100 mm	6	2275806
Thermometer, 0 bis 200 °C	1	4565500

## Sommario

[Specifiche tecniche](#) a pagina 24

[Informazioni generali](#) a pagina 24

[Installazione](#) a pagina 26

[Interfaccia utente e navigazione](#)  
a pagina 28

[Avvio](#) a pagina 29

[Funzionamento](#) a pagina 30

[Manutenzione](#) a pagina 32

[Individuazione ed eliminazione dei guasti](#) a pagina 33

[Parti di ricambio e accessori](#)  
a pagina 33

## Specifiche tecniche

I dati tecnici sono soggetti a modifiche senza preavviso.

Dato tecnico	Dettagli
Dimensioni	25 x 14,5 x 31 cm (9,8 x 5,7 x 12,2 pollici)
Peso	Blocco di riscaldamento singolo: 2 kg (4,4 libbre) Blocco di riscaldamento doppio: 2,8 kg (6,17 libbre)
Requisiti di alimentazione	100-240 V, +5%/–15%, 50/60 Hz, Classe di protezione I
Ingresso alimentazione	Blocco di riscaldamento singolo: 115 V: 300 VA; 230 V: 450 VA Blocco di riscaldamento doppio: 115 V: 600 VA; 230 V: 900 VA
Temperatura di stoccaggio	Da –40 a +60 °C (da –40 a +140 °F)
Temperatura di funzionamento	Da 10 a 45° C (da 50 a 113° F)
Umidità di esercizio	90% (senza condensa)
Intervallo di temperatura	LT 200: da 37 a 150 °C (da 98,6 a 302 °F) DRB 200: da 37 a 165 °C (da 98,6 a 329 °F) Timer: da 0 a 480 minuti

Dato tecnico	Dettagli
Stabilità termica	LT 200: $\pm 1$ °C ( $\pm 2$ °F) DRB 200: $\pm 2$ °C ( $\pm 3,5$ °F)
Velocità di riscaldamento	LT 200: da 20 a 148 °C (da 68 a 298 °F) in 10 minuti (a DIN 38409-44) DRB 200: da 20 a 150 °C (da 68 a 302 °F) in 10 minuti
Certificazione	CE e cTUVus

## Informazioni generali

In nessun caso, il produttore potrà essere ritenuto responsabile per danni diretti, indiretti o accidentali per qualsiasi difetto o omissione relativa al presente manuale. Il produttore si riserva il diritto di apportare eventuali modifiche al presente manuale e ai prodotti ivi descritti in qualsiasi momento senza alcuna notifica o obbligo preventivi. Le edizioni riviste sono presenti nel sito Web del produttore.

## Informazioni sulla sicurezza

### AVVISO

Il produttore non sarà da ritenersi responsabile in caso di danni causati dall'applicazione errata o dall'uso errato di questo prodotto inclusi, a puro titolo esemplificativo e non limitativo, i danni incidentali e consequenziali; inoltre declina qualsiasi responsabilità per tali danni entro i limiti previsti dalle leggi vigenti. La responsabilità relativa all'identificazione dei rischi critici dell'applicazione e all'installazione di meccanismi appropriati per proteggere le attività in caso di eventuale malfunzionamento dell'apparecchiatura compete unicamente all'utilizzatore.

Prima di disimballare, installare o utilizzare l'apparecchio, si prega di leggere l'intero manuale. Si raccomanda di leggere con attenzione e rispettare le istruzioni riguardanti note di pericolosità. La non osservanza di tali indicazioni potrebbe comportare lesioni gravi all'operatore o danni all'apparecchio.

Assicurarsi che i dispositivi di sicurezza insiti nell'apparecchio siano efficaci all'atto della messa in servizio e durante l'utilizzo dello stesso.





Non utilizzare o installare questa apparecchiatura in modo diverso da quanto specificato nel presente manuale.



### Indicazioni e significato dei segnali di pericolo

<b>⚠ PERICOLO</b>
Indica una situazione di pericolo potenziale o imminente che, se non evitata, causa lesioni gravi anche mortali.
<b>⚠ AVVERTENZA</b>
Indica una situazione di pericolo potenziale o imminente che, se non evitata, potrebbe comportare lesioni gravi, anche mortali.
<b>⚠ ATTENZIONE</b>
Indica una situazione di pericolo potenziale che potrebbe comportare lesioni lievi o moderate.
<b>AVVISO</b>
Indica una situazione che, se non evitata, può danneggiare lo strumento. Informazioni che richiedono particolare attenzione da parte dell'utente.

### Etichette precauzionali

Leggere tutte le etichette presenti sullo strumento. La mancata osservanza delle stesse può causare lesioni personali o danni allo strumento. A ogni simbolo riportato sullo strumento corrisponde un'indicazione di pericolo o di avvertenza nel manuale.

	Tale simbolo, se apposto sullo strumento, fa riferimento al manuale delle istruzioni per il funzionamento e/o informazioni sulla sicurezza.
	Le apparecchiature elettriche contrassegnate con questo simbolo non possono essere smaltite attraverso sistemi domestici o pubblici europei. Restituire le vecchie apparecchiature al produttore il quale si occuperà gratuitamente del loro smaltimento.

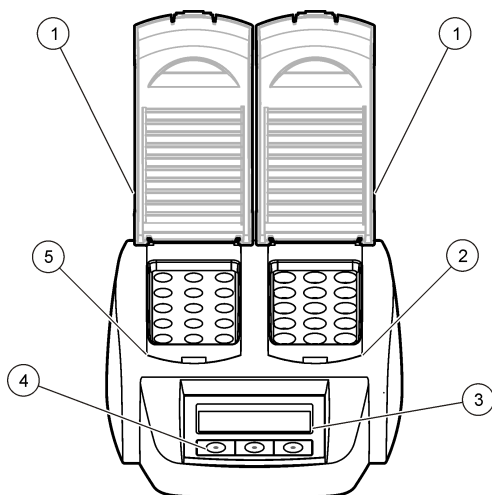
	Questo simbolo indica che l'elemento contrassegnato può essere caldo e deve essere toccato con le dovute precauzioni.
	Questo simbolo indica che l'elemento contrassegnato richiede una connessione a terra di protezione. Se lo strumento non dispone di spina di messa a terra, effettuare un collegamento di terra sul terminale del conduttore di protezione.

### Panoramica del prodotto

Lo strumento presenta uno o due blocchi di riscaldamento che aumentano la temperatura delle soluzioni nelle celle campione rotonde fino alla temperatura specificata per un periodo di tempo determinato (Figura 1).

LT 200 dispone di tre programmi di temperatura salvati e sei programmi di temperatura che possono essere impostati dall'utente e salvati. DRB 200 dispone di sei programmi di temperatura salvati e tre programmi di temperatura che possono essere impostati dall'utente e salvati.

Figura 1 Vista frontale



1 Coperchio protettivo	3 Display	5 Blocco di riscaldamento sinistro
2 Blocco di riscaldamento destro	4 Tasti	

## Installazione

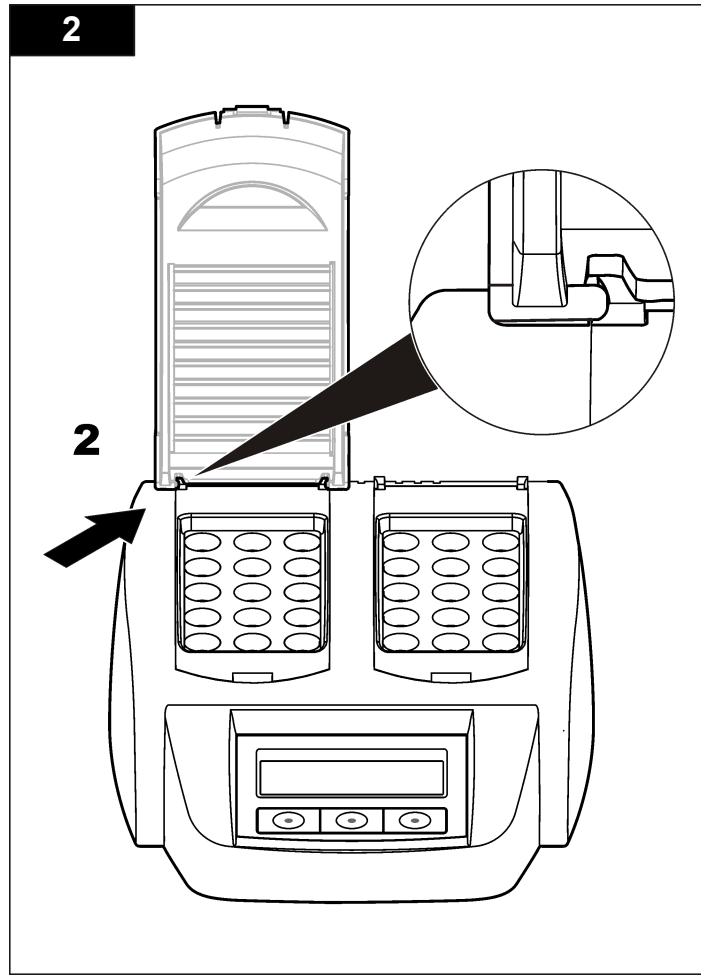
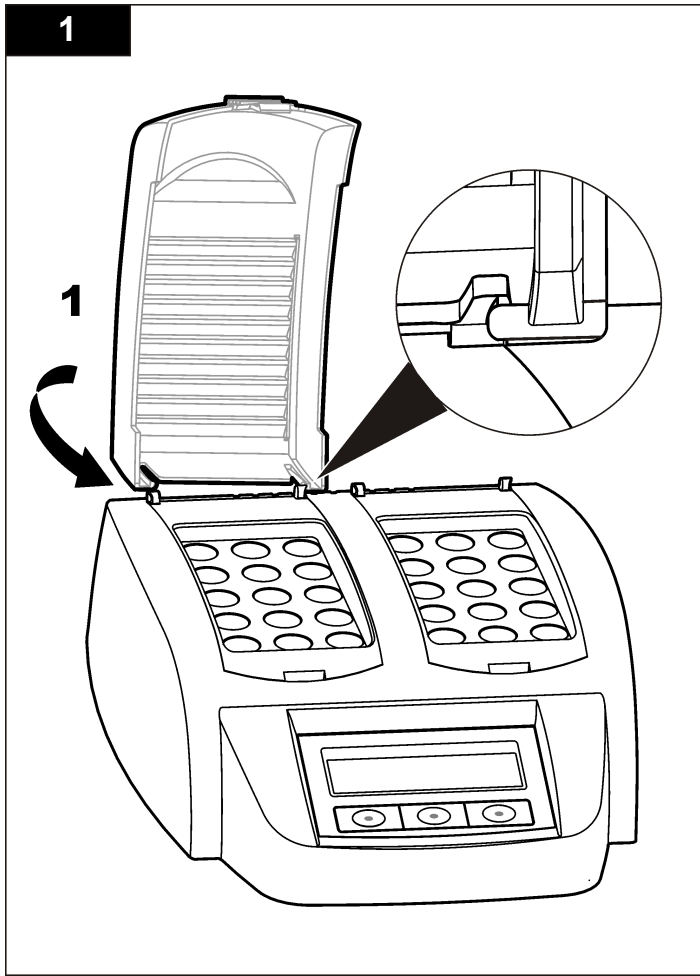
### Installazione dei coperchi di protezione

#### ⚠ AVVERTENZA



Pericolo di folgorazione e di ustione. Il coperchio di protezione deve essere installato per prevenire lesioni personali. Il coperchio di protezione previene le ustioni e impedisce che il cavo di alimentazione entri in contatto con il blocco di riscaldamento.

Fare riferimento ai passaggi illustrati di seguito.

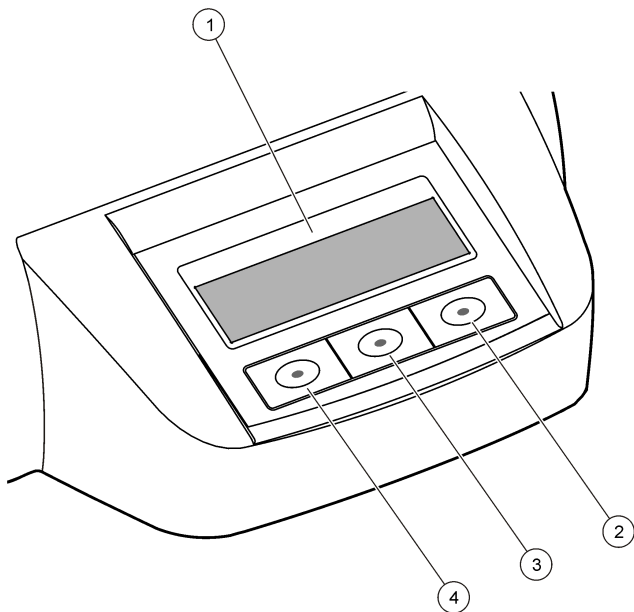


## Interfaccia utente e navigazione

### Interfaccia utente

Lo strumento viene gestito tramite i tre tasti posizionati sotto il display (Figura 2). La funzione dei singoli tasti è mostrata sul display. Se non viene visualizzata alcuna funzione, il tasto non è attivo.

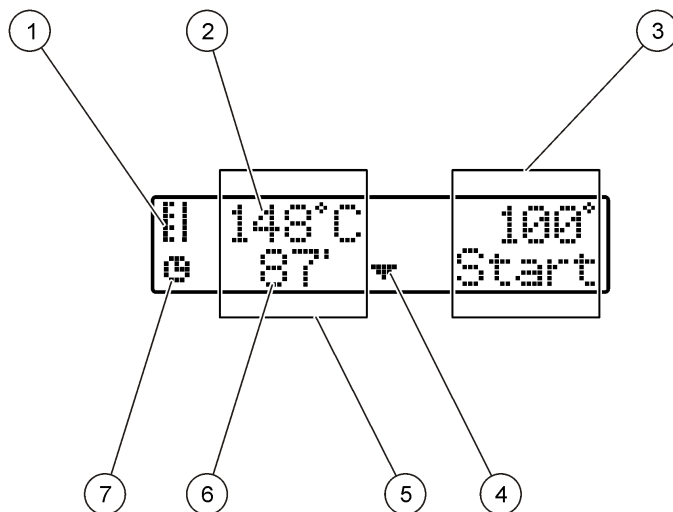
Figura 2 Descrizione della tastiera



1 Display	3 Tasto centrale
2 Tasto destro	4 Tasto sinistro

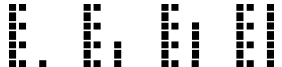
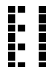
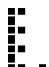
## Descrizione del display

Figura 3 Visualizzazione quando un programma è attivo sul blocco di riscaldamento sinistro



1 Simbolo del termometro	5 Blocco di riscaldamento sinistro
2 Temperatura del blocco di riscaldamento	6 Tempo rimanente
3 Blocco di riscaldamento destro	7 Simbolo del timer
4 Tasto freccia giù (da utilizzare per selezionare il programma)	

**Tabella 1 Simboli del termometro**

Simboli	Descrizione
	Il blocco di riscaldamento sta aumentando la temperatura.
	Il blocco di riscaldamento è alla temperatura selezionata.
	Il blocco di riscaldamento sta diminuendo la temperatura.

## Avvio

### Accensione dello strumento

#### AVVISO

Non spegnere e accendere lo strumento velocemente, poiché potrebbe danneggiarsi. Attendere circa 20 secondi prima di accendere nuovamente lo strumento.

1. Posizionare lo strumento su una superficie stabile, orizzontale e resistente al calore.
2. Collegare il cavo di alimentazione alla presa posizionata nella parte posteriore dello strumento.
3. Collegare il cavo di alimentazione alla presa di corrente con la messa a terra.
4. Premere l'interruttore di accensione nella parte posteriore dello strumento per accenderlo.

Quando lo strumento viene acceso per la prima volta, verrà visualizzata la schermata di selezione della lingua. Fare riferimento a [Selezione della lingua](#) a pagina 29.

## Selezione della lingua

1. Tenere premuto il tasto sinistro e accendere lo strumento.
2. Premere la freccia destra per scorrere il menu. Continuare a premere il tasto per tornare all'inizio del menu.
3. Quando viene visualizzata la lingua corretta, premere il tasto per la lingua. Fare riferimento a [Tabella 2](#).



**Tabella 2 Impostazioni della lingua**

Impostazione	Lingua	Impostazione	Lingua
GB	Inglese	E	Spagnolo
D	Tedesco	NL	Olandese
F	Francese	S	Svedese
I	Italiano	PL	Polacco


## Impostazione del contrasto del display


1. Tenere premuto il tasto centrale e accendere lo strumento.
2. Tenere premuti i tasti freccia su e giù per modificare il valore del contrasto.
3. Premere **OK** per salvare le modifiche.


## Funzionamento


▲ PERICOLO	
	Pericolo di esposizione ad agenti chimici. Rispettare le procedure di sicurezza del laboratorio e indossare tutte le apparecchiature protettive appropriate per le sostanze chimiche utilizzate. Fare riferimento alle attuali schede di sicurezza (MSDS/SDS) per i protocolli di sicurezza.
	

## Funzionamento normale

▲ ATTENZIONE	
	Rischio di ustione. Non introdurre le dita nell'apertura del blocco di riscaldamento. Chiudere il coperchio di protezione prima di aumentare la temperatura del blocco di riscaldamento e tenerlo sempre chiuso durante il funzionamento.

▲ ATTENZIONE	
	Rischio di ustione. Le celle campione sono calde. Indossare delle protezioni idonee realizzate in materiale isolante (ad esempio, guanti o protezioni per le dita). Non rimuovere la cella campione quando la temperatura è superiore a 80 °C. Non introdurre in un colorimetro la cella campione quando la temperatura è superiore a 80 °C.

▲ ATTENZIONE	
	Rischio chimico: Se una cella campione è rotta, non lasciare che il liquido entri a contatto con la pelle. Se necessario, utilizzare una cappa aspirante per rimuovere i fumi chimici.

▲ ATTENZIONE	
	Pericolo di esposizione ad agenti chimici. Smaltire i prodotti chimici e i rifiuti conformemente alle normative locali, regionali e nazionali.

AVVISO	
Per evitare danni alla cella campione e allo strumento, mantenere asciutte le aperture del blocco del riscaldamento. Asciugare completamente le celle campione.	

AVVISO	
Per evitare danni allo strumento, scollegare immediatamente l'alimentazione in presenza di perdita di liquido o di rottura accidentale della cella campione, quindi pulire lo strumento. Fare riferimento a <a href="#">Pulizia dello strumento</a> a pagina 32.	

AVVISO	
Non coprire le fessure di ventilazione sul coperchio di protezione. Lo strumento e le celle campione possono diventare troppo calde e ridurre la precisione della misurazione.	

1. Preparare le celle campione come indicato nella procedura di analisi.
2. Chiudere le celle campione con l'apposito tappo.
3. Asciugare completamente l'esterno delle celle campione.
4. Accendere lo strumento e aprire il coperchio di protezione. Sul display viene visualizzato l'ultimo programma di temperatura selezionato.
5. Se vengono utilizzati tubi da 16 mm con un blocco di riscaldamento con aperture da 20 mm, utilizzare l'adattatore di riduzione nelle aperture.
6. LT 200: posizionare le celle campione del test nel blocco di riscaldamento corretto e chiudere il coperchio di protezione.
7. Selezionare il programma di temperatura corretto (con l'eventuale periodo di digestione) utilizzando i tasti, quindi premere **Start**. Fare riferimento a [Programmi salvati](#) a pagina 31. In presenza di due blocchi di riscaldamento, per ognuno di loro è possibile selezionare il programma di temperatura in modo indipendente.

**Nota:** Per interrompere il programma, premere due volte il tasto *sotto il programma*.

LT 200: il programma di digestione viene avviato. La temperatura del blocco di riscaldamento aumenta fino alla temperatura selezionata, quindi parte il conto alla rovescia del tempo fino a zero (0). Al termine del programma di digestione, vengono emessi tre segnali acustici e il riscaldatore si disattiva.

DRB 200: la temperatura del blocco di riscaldamento aumenta fino al valore selezionato.

8. DRB 200: quando il blocco di riscaldamento raggiunge la temperatura selezionata (vengono emessi due segnali acustici),

posizionare le celle campione del test nel blocco di riscaldamento corretto e chiudere il coperchio di protezione. Premere **Start** per avviare il programma di digestione.

Al termine del programma di digestione, vengono emessi tre segnali acustici e il riscaldatore si disattiva.

## Programmi salvati

La **Tabella 3** fornisce le descrizioni dei programmi di temperatura memorizzati per LT 200. La **Tabella 4** fornisce le descrizioni dei programmi di temperatura memorizzati per DRB 200.

**Tabella 3 Programmi salvati - LT 200**

Programma	Descrizione
COD	La temperatura delle celle del campione aumenta fino a 148 °C per 120 minuti. Nella fase di raffreddamento, vengono emessi quattro segnali acustici quando le celle del campione raggiungono la temperatura di 80 °C. Rimuoverle e invertirle delicatamente più volte prima di lasciarle raffreddare nel supporto.  Il programma di temperatura COD può essere utilizzato per tutti i test della cella del campione COD Hach.
100 °C	La temperatura delle celle del campione aumenta fino a 100 °C per 10, 60 e 120 minuti.  Ad esempio, il programma di temperatura "100 °C, 60 minuti" viene utilizzato per: <ul style="list-style-type: none"> <li>• Identificare il fosfato e il cromo</li> <li>• Digerire i metalli pesanti</li> <li>• Digerire i campioni utilizzando il set LCW 902</li> </ul>
40 °C	La temperatura delle celle del campione aumenta fino a 40 °C per 10, e minuti.  Ad esempio, il programma di temperatura "40 °C, 10 minuti" viene utilizzato per il test formaldeide o per i test alimentari enzimatici.

**Tabella 4 Programmi salvati - DRB 200**

Programma	Descrizione
COD	La temperatura delle celle del campione aumenta fino a 150 °C per 120 minuti. Nella fase di raffreddamento, vengono emessi quattro segnali acustici quando le celle del campione raggiungono la temperatura di 120 °C. Rimuoverle e invertirle delicatamente più volte prima di lasciarle raffreddare nel supporto.
TOC	La temperatura delle celle del campione aumenta fino a 105 °C per 120 minuti. Il programma di temperatura TOC può essere utilizzato per tutti i test della cella del campione TOC Hach.
100 °C	La temperatura delle celle del campione aumenta fino a 100 °C per 30, 60 o 120 minuti. Ad esempio, il programma di temperatura "100 °C, 60 minuti" viene utilizzato per: <ul style="list-style-type: none"> <li>• Digerire i campioni utilizzando il set di preparazione metalli</li> <li>• Identificare i fosfati e il cromo</li> <li>• Digerire i metalli pesanti</li> </ul>
105 °C	La temperatura delle celle del campione aumenta fino a 105 °C per 30, 60 e 120 minuti.
150 °C	La temperatura delle celle del campione aumenta fino a 150 °C per 30, 60 o 120 minuti.
165 °C	La temperatura delle celle del campione aumenta fino a 165 °C per 30, 60 o 120 minuti.

## Programmi configurabili dall'utente

Lo strumento LT 200 presenta sei programmi di temperatura configurabili dall'utente (PRG1–PRG6). Lo strumento DRB 200 presenta tre programmi di temperatura configurabili dall'utente (PRG1–PRG3).

Per configurare un programma di temperatura utente:

1. Selezionare un programma di temperatura utilizzando i tasti.
2. Premere **Progr.** per accedere alla modalità di programmazione.
3. Selezionare un nome di 4 caratteri per il programma. Premere il tasto sinistro per modificare il carattere. Premere il tasto freccia destra per

spostare il cursore sulla posizione successiva. Premere **OK** per salvare le modifiche.

4. Premere o tenere premuti i tasti freccia su e giù per impostare la temperatura (da 37 a 150 °C). Premere **OK** per salvare le modifiche.
5. Premere o tenere premuti i tasti freccia su e giù per impostare il tempo (da 0 a 480 minuti). Premere **OK** per salvare le modifiche.
6. Premere **OK** per salvare il programma.

## Manutenzione

### ▲ ATTENZIONE



Pericoli multipli. Gli interventi descritti in questa sezione del documento devono essere eseguiti solo da personale qualificato.

### AVVISO

Non smontare lo strumento per operazioni di manutenzione. Se è necessario pulire o riparare i componenti interni, contattare il produttore.

## Pulizia dello strumento

Tenere lo strumento pulito per assicurare un funzionamento preciso e continuo.

### ▲ ATTENZIONE



Pericolo di incendio. Non usare agenti infiammabili per pulire lo strumento.

### ▲ ATTENZIONE



Rischio di ustione. Non pulire lo strumento quando è caldo.

### AVVISO

Per prevenire danni, non utilizzare sostanze quali trementina, acetone o prodotti simili per pulire lo strumento, incluso il display.

1. Spegnerlo lo strumento e scollegare il cavo di alimentazione.
2. Quando lo strumento è freddo, pulirne la superficie utilizzando un panno morbido inumidito con una soluzione di acqua e sapone delicato. Prestare attenzione a non fare entrare acqua all'interno dello strumento.

In caso di rottura di una delle celle campione o di fuoriuscita di liquido:

1. Spegnerlo lo strumento e scollegare il cavo di alimentazione.
2. Lasciar raffreddare i blocchi di riscaldamento e le celle campione.
3. Rimuovere il liquido con una pipetta. Evitare qualsiasi contatto del liquido con la pelle.
4. Smettere il liquido secondo le normative applicabili.
5. Rimuovere i frammenti di vetro con delle pinzette. Rimuovere il liquido rimanente sullo strumento. Evitare qualsiasi contatto del liquido con la pelle.

## Misurazione della temperatura del blocco di riscaldamento

Misurare la temperatura del blocco di riscaldamento per verificare che la temperatura visualizzata sul display sia corretta.

La temperatura visualizzata sul display corrisponde a quella di una cella campione chiusa riempita con un liquido. Mentre la temperatura del blocco riscaldante sta aumentando, la temperatura del blocco riscaldante, vicino il riscaldatore, potrebbe essere superiore rispetto a quella visualizzata sul display.

Strumenti necessari:

- Cella campione (LT 200: LCW906, DRB 200: 2275800)
- Glicerina (anidro), 5 mL
- Termometro, ad asta, calibrato per 95-155 °C (203-311 °F), tipo 67C a ASTM

Per misurare la temperatura del blocco di riscaldamento:



1. Riempire una cella campione pulita e vuota con glicerina a temperatura ambiente.
2. Posizionare il termometro nella cella campione fino a quando non tocca il fondo.
3. LT 200: verificare che il livello di glicerina sia  $62 \text{ mm} \pm 0,5 \text{ mm}$  ( $2,44 \pm 0,02$  pollici) dalla parte inferiore della cella campione quando il termometro è inserito all'interno.
4. DRB 200: verificare che il livello di glicerina sia  $56 \text{ mm} \pm 0,5 \text{ mm}$  ( $2,20 \pm 0,02$  pollici) dalla parte inferiore della cella campione quando il termometro è inserito all'interno.
5. Posizionare la cella campione nell'apertura centrale della seconda riga del blocco di riscaldamento.
6. Selezionare un programma di temperatura di  $100 \text{ }^\circ\text{C}$  per 60 minuti utilizzando i tasti, quindi premere **OK**.
7. Quando il blocco di riscaldamento arriva alla temperatura selezionata (vengono emessi due segnali acustici), la temperatura del termometro dovrebbe corrispondere a quella visualizzata sul display.

## Individuazione ed eliminazione dei guasti

Fare riferimento alla [Tabella 5](#) per i messaggi di errore, le possibili cause e le azioni correttive.

**Tabella 5 Messaggi di errore**

Errore	Soluzione
BLOCCO ALTA TEMP ATTENDERE	La temperatura del blocco di riscaldamento è superiore a quella selezionata. Attendere fino a quando la temperatura del blocco di riscaldamento non diminuisce.
ERRORE DI AVVIO!	Lo strumento presenta un problema. Contattare il servizio clienti.

## Parti di ricambio e accessori

### ⚠ AVVERTENZA



Pericolo di lesioni personali. L'uso di parti non approvate può causare lesioni personali, danni alla strumentazione o malfunzionamenti dell'apparecchiatura. La parti di ricambio riportate in questa sezione sono approvate dal produttore.

*Nota: Numeri di Prodotti e Articoli possono variare per alcune regioni di vendita. Contattare il distributore appropriato o fare riferimento al sito Web dell'azienda per dati di contatto.*

### Parti di ricambio

Descrizione	Quantità	Prodotto n.
Coperchio di protezione	1	LZT048

### Accessori—DRB 200

Descrizione	Quantità	Prodotto n.
Adattatore di riduzione, $20 > 16 \text{ mm}$	1	HHA155
Adattatore di riduzione, $16 > 13 \text{ mm}$	1	2895805
Tubo, $16 \times 100 \text{ mm}$	1	2275800
Tubo, $16 \times 100 \text{ mm}$	6	2275806
Termometro, da $0 \text{ a } 200 \text{ }^\circ\text{C}$	1	4565500

## Table des matières

Caractéristiques techniques  
à la page 34

Généralités à la page 34

Installation à la page 36

Interface utilisateur et navigation  
à la page 38

Mise en marche à la page 39

Fonctionnement à la page 40

Maintenance à la page 42

Dépannage à la page 43

Pièces de rechange et accessoires  
à la page 43

## Caractéristiques techniques

Ces caractéristiques sont susceptibles d'être modifiées sans avis préalable.

Caractéristique	Détails
Dimensions	25 x 14,5 x 31 cm (9,8 x 5,7 x 12,2 po)
Poids	Bloc de chauffage simple : 2 kg (4,4 lb) Bloc de chauffage double : 2,8 kg (6,17 lb)
Alimentation électrique	100–240 V, +5 %/–15 %, 50/60 Hz, Classe de protection I
Entrée alimentation secteur	Bloc de chauffage simple : 115 V : 300 VA ; 230 V : 450 VA Bloc de chauffage double : 115 V : 600 VA ; 230 V : 900 VA
Température de stockage	–40 à +60 °C (–40 à +140 °F)
Température de fonctionnement	10 à 45 °C (50 à 113 °F)
Humidité de fonctionnement	90 % (sans condensation)
Plage de température	LT 200 : 37 à 150 °C (98,6 à 302 °F) DRB 200 : 37 à 165 °C (98,6 à 329 °F)
	Minuterie : 0 à 480 minutes

Caractéristique	Détails
Stabilité de la température	LT 200 : $\pm 1$ °C ( $\pm 2$ °F) DRB 200 : $\pm 2$ °C ( $\pm 3,5$ °F)
Vitesse de chauffage	LT 200 : De 20 à 148 °C (68 à 298 °F) en 10 min (conformément à DIN 38409-44) DRB 200 : De 20 à 150 °C (68 à 302 °F) en 10 min
Certification	CE et cTUVus

## Généralités

En aucun cas le constructeur ne saurait être responsable des dommages directs, indirects, spéciaux, accessoires ou consécutifs résultant d'un défaut ou d'une omission dans ce manuel. Le constructeur se réserve le droit d'apporter des modifications à ce manuel et aux produits décrits à tout moment, sans avertissement ni obligation. Les éditions révisées se trouvent sur le site Internet du fabricant.

## Consignes de sécurité

### AVIS

Le fabricant décline toute responsabilité quant aux dégâts liés à une application ou un usage inappropriés de ce produit, y compris, sans toutefois s'y limiter, des dommages directs ou indirects, ainsi que des dommages consécutifs, et rejette toute responsabilité quant à ces dommages dans la mesure où la loi applicable le permet. L'utilisateur est seul responsable de la vérification des risques d'application critiques et de la mise en place de mécanismes de protection des processus en cas de défaillance de l'équipement.

Veuillez lire l'ensemble du manuel avant le déballage, la configuration ou la mise en fonctionnement de cet appareil. Respectez toutes les déclarations de prudence et d'attention. Le non-respect de cette procédure peut conduire à des blessures graves de l'opérateur ou à des dégâts sur le matériel.

Assurez-vous que la protection fournie avec cet appareil n'est pas défaillante. N'utilisez ni n'installez cet appareil d'une façon différente de celle décrite dans ce manuel.

## Interprétation des indications de risques

### ⚠ DANGER

Indique une situation de danger potentiel ou imminent qui, si elle n'est pas évitée, entraîne des blessures graves, voire mortelles.

### ⚠ AVERTISSEMENT

Indique une situation de danger potentiel ou imminent qui, si elle n'est pas évitée, peut entraîner des blessures graves, voire mortelles.

### ⚠ ATTENTION

Indique une situation de danger potentiel qui peut entraîner des blessures mineures ou légères.

### AVIS

Indique une situation qui, si elle n'est pas évitée, peut occasionner l'endommagement du matériel. Informations nécessitant une attention particulière.

## Étiquettes de mise en garde

Lire toutes les étiquettes et tous les repères apposés sur l'instrument. Des personnes peuvent se blesser et le matériel peut être endommagé si ces instructions ne sont pas respectées. Les symboles apposés sur l'appareil sont complétés par un paragraphe Danger ou Attention dans le manuel.



Si l'appareil comporte ce symbole, reportez-vous au manuel d'utilisation pour consulter les informations de fonctionnement et de sécurité.



Le matériel électrique portant ce symbole ne doit pas être mis au rebut dans les réseaux domestiques ou publics européens. Retournez le matériel usé ou en fin de vie au fabricant pour une mise au rebut sans frais pour l'utilisateur.



Ce symbole indique que l'élément signalé peut être chaud et que des précautions doivent être prises avant de le toucher.



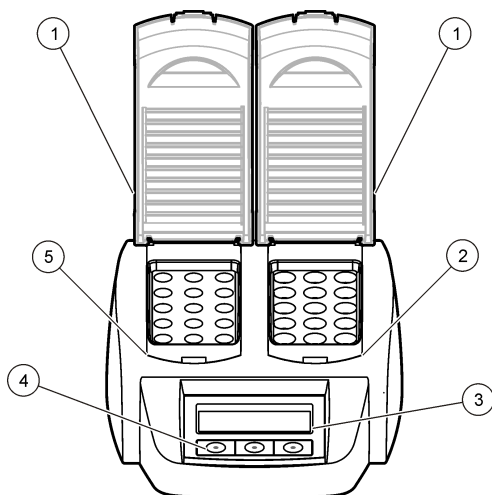
Ce symbole indique que l'élément marqué nécessite une connexion de protection à la terre. Si l'appareil n'est pas fourni avec une mise à la terre sur un cordon, effectuez la mise à la terre de protection sur la borne de conducteur de protection.

## Présentation du produit

Cet appareil comporte un ou deux bloc(s) de chauffage qui font augmenter la température des solutions dans les cuves d'échantillon arrondies jusqu'à une température spécifiée pendant une durée déterminée (Figure 1).

Le LT 200 compte trois programmes de température en mémoire et six programmes de température configurés par l'utilisateur et enregistrés. Le DRB 200 compte six programmes de température en mémoire et trois programmes de température configurés par l'utilisateur et enregistrés.

Figure 1 Vue avant



1 Couvercle de protection	3 Ecran	5 Bloc de chauffage gauche
2 Bloc de chauffage droit	4 Touches	

## Installation

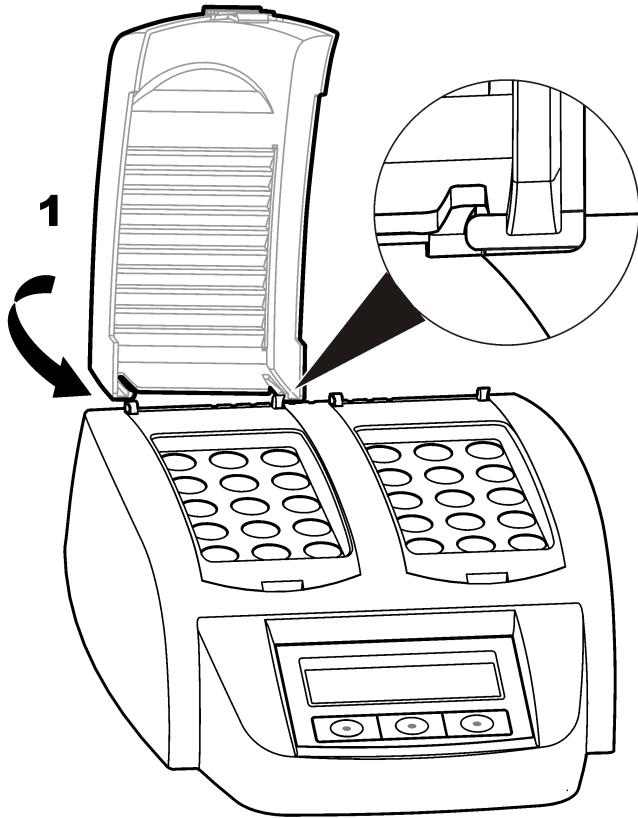
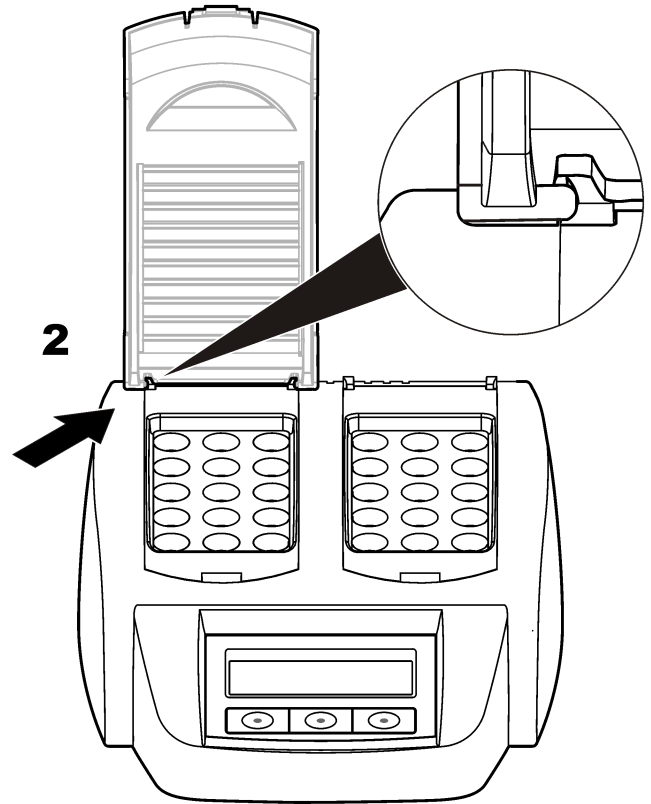
### Installer les couvercles de protection

#### ⚠ AVERTISSEMENT



Risque de brûlure et de choc électrique. Le couvercle de protection doit être installé pour éviter les risques de blessure. Le couvercle de protection empêche les brûlures et tout contact entre le cordon d'alimentation et le bloc de chauffage.

Reportez-vous aux étapes illustrées ci-dessous.

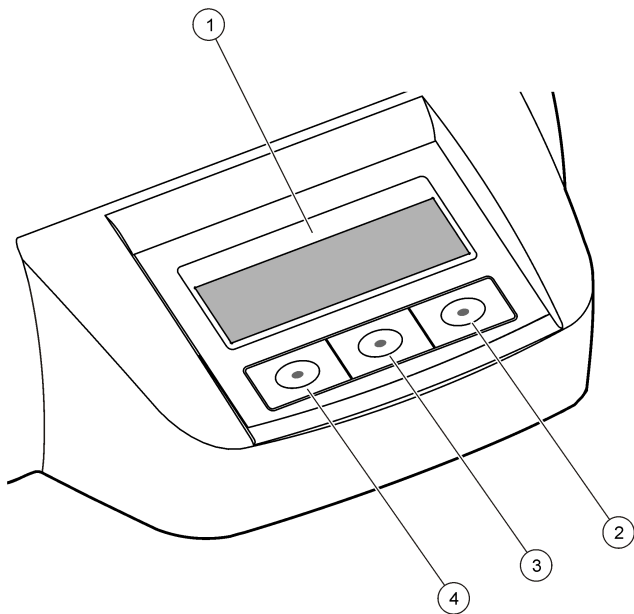
**1****2**

## Interface utilisateur et navigation

### Interface utilisateur

L'appareil est commandé à l'aide de trois touches situées sous l'écran d'affichage (Figure 2). La fonction de chaque touche est affichée à l'écran. Si aucune fonction n'est affichée pour une touche, cela signifie que la touche n'est pas active.

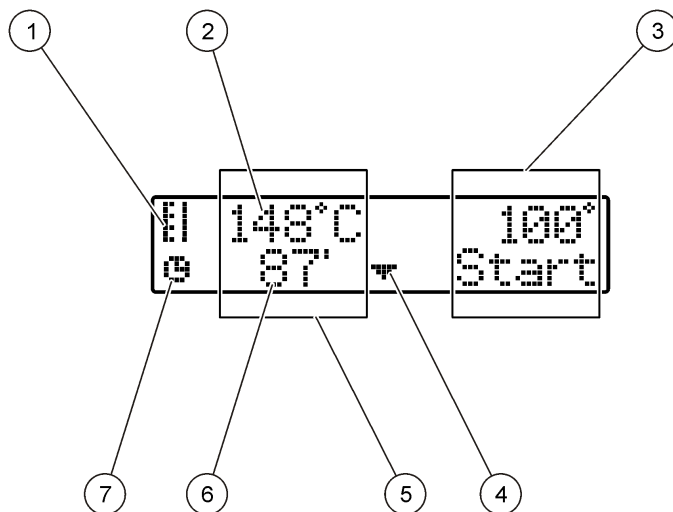
Figure 2 Description du clavier



1 Ecran	3 Touche du milieu
2 Touche droite	4 Touche gauche




## Description de l'affichage

Figure 3 Affichage sur l'écran lorsqu'un programme est actif sur le bloc de chauffage gauche uniquement



1 Symbole du thermomètre	5 Bloc de chauffage gauche
2 Température du bloc de chauffage	6 Temps restant
3 Bloc de chauffage droit	7 Symbole de la minuterie
4 Touche fléchée vers le bas (pour sélectionner le programme)	

**Tableau 1 Symboles du thermomètre**

Symbole	Description
	La température du bloc de chauffage augmente.
	Le bloc de chauffage est à la température sélectionnée.
	La température du bloc de chauffage baisse.

## Mise en marche

### Mettre l'appareil sous tension

#### AVIS

Ne pas éteindre et rallumer l'appareil rapidement sous peine d'endommager l'appareil. Toujours attendre 20 secondes avant de rallumer l'appareil.

1. Placer l'appareil sur une surface plane, stable et résistante à la chaleur.
2. Brancher le cordon d'alimentation sur la prise d'alimentation à l'arrière de l'appareil.
3. Connecter le cordon d'alimentation à une prise de courant mise à la terre.
4. Appuyer sur l'interrupteur marche/arrêt à l'arrière de l'appareil pour allumer l'appareil.

L'écran de sélection de la langue s'affiche lors de la première mise sous tension de l'appareil. Reportez-vous à la [Sélectionner la langue](#) à la page 39.

## Sélectionner la langue

1. Maintenir la touche gauche enfoncée et allumer l'appareil.
2. Appuyer sur la touche fléchée vers la droite pour faire défiler le menu. A la fin, l'écran revient au début du menu.
3. Lorsque la langue souhaitée est affichée, appuyer sur la touche correspondant à la langue. Reportez-vous à la [Tableau 2](#).



**Tableau 2 Paramètres de langue**

Réglages	Langue	Réglages	Langue
GB	Anglais	E	Espagnol
D	Allemand	NL	Néerlandais
F	Français	S	Suédois
I	Italien	PL	Polonais


## Réglage du contraste de l'écran


1. Maintenir enfoncée la touche du milieu et allumer l'appareil.
2. Appuyer sur les touches fléchées vers le haut et vers le bas ou les maintenir enfoncées pour modifier la valeur de contraste.
3. Appuyer sur **OK** pour enregistrer la modification.


## Fonctionnement


▲ DANGER	
	Risque d'exposition chimique. Respectez les procédures de sécurité du laboratoire et portez tous les équipements de protection personnelle adaptés aux produits chimiques que vous manipulez. Consultez les fiches de données de sécurité (MSDS/SDS) à jour pour connaître les protocoles de sécurité applicables.
	

## Fonctionnement normal

▲ ATTENTION	
	Risque de brûlure Ne pas mettre les doigts dans un des orifices du bloc de chauffage. Fermer le couvercle de protection avant d'augmenter la température du bloc de chauffage et toujours maintenir le couvercle de protection fermé pendant le fonctionnement.

▲ ATTENTION	
	Risque de brûlure Les cuves d'échantillons sont chaudes. Porter des vêtements isolants (par ex. gants ou doigtsiers). Ne pas déposer une cuve d'échantillon dont la température dépasse 80 °C. Ne pas placer une cuve d'échantillon dont la température dépasse 80 °C dans un colorimètre.

▲ ATTENTION	
	Danger chimique En cas de rupture d'une cuve d'échantillon, éviter tout contact du liquide avec la peau. Utiliser une hotte de captation des fumées pour éliminer les vapeurs chimiques.

▲ ATTENTION	
	Risque d'exposition chimique. Mettez au rebut les substances chimiques et les déchets conformément aux réglementations locales, régionales et nationales.

AVIS	
Maintenir les orifices du bloc de chauffage secs pour éviter d'endommager la cuve d'échantillon et l'appareil. Sécher complètement l'extérieur des cuves d'échantillons.	

AVIS	
Pour éviter d'endommager l'appareil, débrancher immédiatement le cordon d'alimentation si du liquide est renversé accidentellement ou en cas de rupture d'une cuve d'échantillon, puis nettoyer l'appareil. Reportez-vous à la <a href="#">Nettoyer l'instrument</a> à la page 42.	

AVIS	
Ne pas couvrir les fentes de ventilation du couvercle de protection. L'appareil et les cuves d'échantillons risqueraient de surchauffer, ce qui réduirait la précision des mesures.	

1. Préparer les cuves d'échantillons d'essai comme spécifié dans la procédure d'analyse.
2. Fermer les cuves d'échantillons avec le capuchon.
3. Sécher complètement l'extérieur des cuves d'échantillons.
4. Démarrer l'appareil et ouvrir le couvercle de protection. Les derniers programmes de température sélectionnés s'affichent à l'écran.
5. En cas d'utilisation de tubes de 16 mm avec un bloc de chauffage doté d'orifices de 20 mm, placer des adaptateurs réducteurs dans les orifices.
6. LT 200 : Placer les cuves d'échantillons d'essai dans le bloc de chauffage approprié et fermer le couvercle de protection.
7. Sélectionner le programme de température approprié (et la période de digestion le cas échéant) à l'aide des touches, puis appuyer sur **Démarrer**. Reportez-vous à la [Programmes enregistrés](#) à la page 41. Le programme de température est sélectionné indépendamment pour chaque bloc de chauffage lorsque deux blocs de chauffage sont utilisés.

**Remarque :** Pour arrêter un programme, appuyer deux fois sur la touche située sous le programme.

LT 200 : Le programme de digestion démarre. La température du bloc de chauffage augmente jusqu'à la température sélectionnée, puis le compte à rebours est lancé automatiquement jusqu'à zéro (0). Lorsque le programme de digestion est terminé, trois signaux sonores retentissent et le système de chauffage s'arrête.



DRB 200 : La température du bloc de chauffage augmente jusqu'à la température sélectionnée.

8. DRB 200 : Lorsque le bloc de chauffage a atteint la température sélectionnée (deux bips sonores), placer les cuves d'échantillons d'essai dans le bloc de chauffage approprié et fermer le couvercle de protection. Appuyer sur **Démarrer** pour démarrer le programme de digestion.

Lorsque le programme de digestion est terminé, trois signaux sonores retentissent et le système de chauffage s'arrête.

## Programmes enregistrés

[Tableau 3](#) fournit des descriptions des programmes de température en mémoire pour le LT 200. [Tableau 4](#) fournit des descriptions des programmes de température en mémoire pour le DRB 200.

**Tableau 3 Programmes enregistrés—LT 200**

Programme	Description
DCO	Accroît la température des cellules d'échantillons jusqu'à 148 °C pendant 120 minutes. Dans la phase de refroidissement, quatre bips sonores sont émis lorsque les cellules d'échantillons sont à 80 °C. Déposer et inverser les cellules d'échantillons avec précaution plusieurs fois avant de les laisser refroidir sur une étagère.  Le programme de température DCO peut être utilisé pour tous les essais de cellules d'échantillons DCO.
100 °C	Accroît la température des cellules d'échantillons jusqu'à 100 °C pendant 10, 60 ou 120 minutes.  Par exemple, le programme de température « 100 °C, 60 minutes » est utilisé pour : <ul style="list-style-type: none"><li>• Identifier les phosphates et le chrome ;</li><li>• Digérer les métaux lourds ;</li><li>• Digérer les échantillons à l'aide de l'ensemble Crack LCW 902.</li></ul>
40 °C	Accroît la température des cellules d'échantillons jusqu'à 40 °C pendant 10 minutes.  Par exemple, le programme de température « 40 °C, 10 minutes » est utilisé pour les essais de formaldéhyde ou les essais d'aliments enzymatiques.

**Tableau 4 Programmes enregistrés—DRB 200**

Programme	Description
DCO	Accroît la température des cellules d'échantillons jusqu'à 150 °C pendant 120 minutes. Dans la phase de refroidissement, quatre bips sonores sont émis lorsque les cellules d'échantillons sont à 120 °C. Déposer et inverser les cellules d'échantillons avec précaution plusieurs fois avant de les laisser refroidir sur une étagère.
COT	Accroît la température des cellules d'échantillons jusqu'à 105 °C pendant 120 minutes. Le programme de température TOC peut être utilisé pour tous les essais de cellules d'échantillons TOC Hach.

**Tableau 4 Programmes enregistrés—DRB 200 (suite)**

Programme	Description
100 °C	<p>Accroît la température des cellules d'échantillons jusqu'à 100 °C pendant 30, 60 ou 120 minutes. Par exemple, le programme de température « 100 °C, 60 minutes » est utilisé pour :</p> <ul style="list-style-type: none"> <li>• Digérer des échantillons à l'aide du kit de préparation des métaux ;</li> <li>• Identifier les phosphates et le chrome ;</li> <li>• Digérer les métaux lourds ;</li> </ul>
105 °C	Accroît la température des cellules d'échantillons jusqu'à 105 °C pendant 30, 60 ou 120 minutes.
150 °C	Accroît la température des cellules d'échantillons jusqu'à 150 °C pendant 30, 60 ou 120 minutes.
165 °C	Accroît la température des cellules d'échantillons jusqu'à 165 °C pendant 30, 60 ou 120 minutes.

## Programmes utilisateur

Le LT 200 compte six programmes de température configurés par l'utilisateur (PRG1–PRG6). Le DRB 200 compte trois programmes de température configurés par l'utilisateur (PRG1–PRG3).

Pour configurer un programme de température défini par l'utilisateur :

1. Sélectionner un programme de température défini par l'utilisateur à l'aide des touches.
2. Appuyer sur **Prog** pour activer le mode programmation.
3. Sélectionner un nom à 4 caractères pour le programme. Appuyer sur la touche gauche pour modifier le caractère. Appuyer sur la touche fléchée vers la droite pour déplacer le curseur jusqu'à la position suivante. Appuyer sur **OK** pour enregistrer la modification.
4. Appuyer sur les touches fléchées vers le haut et vers le bas ou les maintenir enfoncées pour régler la température (37 à 150 °C). Appuyer sur **OK** pour enregistrer la modification.

5. Appuyer sur les touches fléchées vers le haut et vers le bas ou les maintenir enfoncées pour régler la durée (0 à 480 minutes). Appuyer sur **OK** pour enregistrer la modification.
6. Appuyer sur **OK** pour enregistrer le programme.

## Maintenance

### ⚠ ATTENTION



Dangers multiples. Seul le personnel qualifié doit effectuer les tâches détaillées dans cette section du document.

### AVIS

Ne pas démonter l'appareil pour entretien. Si les composants internes doivent être nettoyés ou réparés, contactez le fabricant.

## Nettoyer l'instrument

Maintenir l'appareil propre pour garantir un fonctionnement continu et correct.

### ⚠ ATTENTION



Risque d'incendie. Ne pas utiliser d'agents inflammables pour nettoyer l'appareil.

### ⚠ ATTENTION



Risque de brûlure. Ne pas nettoyer l'appareil lorsqu'il est chaud.

### AVIS

Pour éviter d'endommager l'appareil, ne pas utiliser d'agents nettoyants tels que de la térébenthine, de l'acétone ou tout autre produit similaire pour nettoyer l'appareil, y compris l'écran.

1. Eteindre l'appareil et débrancher le cordon d'alimentation.
2. Une fois l'appareil refroidi, nettoyer la surface de l'appareil à l'aide d'un chiffon doux et humide, imbibé d'une solution savonneuse non détergente. Vérifier que l'eau ne pénètre pas dans l'appareil.

Si le liquide présent dans une cuve d'échantillon se renverse ou en cas de rupture d'une cuve d'échantillon :

1. Eteindre l'appareil et débranchez le cordon d'alimentation.
2. Attendre que la température du ou des bloc(s) de chauffage et des cuves d'échantillons baisse.
3. Retirer le liquide à l'aide d'une pipette. Eviter tout contact du liquide avec la peau.
4. Mettre le liquide au rebut de manière appropriée.
5. Retirer tout fragment de verre à l'aide d'une pince à épiler. Eliminer tout résidu de liquide sur l'appareil. Eviter tout contact du liquide avec la peau.

## Mesurer la température du bloc de chauffage.

Mesurer la température du bloc de chauffage pour s'assurer que la température affichée à l'écran est correcte.

La température affichée à l'écran est la température à l'intérieur d'une cuve d'échantillon fermée remplie de liquide. Lorsque la température du bloc de chauffage augmente, la température à proximité du chauffage peut être supérieure à celle affichée.

Outils nécessaires :

- Cuve d'échantillon (LT 200 : LCW906, DRB 200 : 2275800)
- Glycérol (anhydre), 5 ml
- Thermomètre, type tige, étalonné pour 95 à 170 °C (203 à 338 °F), type 67C conforme à la norme ASTM

Pour mesurer la température du bloc de chauffage :

1. Remplir une cuve d'échantillon vide propre avec du glycérol à température ambiante.
2. Placer le thermomètre dans la cuve d'échantillon jusqu'à ce qu'il touche le fond de celle-ci.

3. LT 200 : Vérifier que le niveau de glycérol est à 62 mm  $\pm$  0,5 mm (2,44 po  $\pm$  0,02 po) du fond de la cuve d'échantillon lorsque le thermomètre est dans la cellule.
4. DRB 200 : Vérifier que le niveau de glycérol est à 56 mm  $\pm$  0,5 mm (2,20 po  $\pm$  0,02 po) du fond de la cuve d'échantillon lorsque le thermomètre est dans la cellule.
5. Placer la cuve d'échantillon dans l'orifice central de la deuxième rangée du bloc de chauffage.
6. Lancer un programme de température de 100 °C pendant 60 minutes à l'aide des touches, puis appuyer sur **OK**.
7. Lorsque le bloc de chauffage atteint la température sélectionnée (deux bips sonores), la température affichée sur le thermomètre doit être identique à celle affichée sur l'écran.

## Dépannage

Se reporter à [Tableau 5](#) pour les messages d'erreur, les causes possibles et les actions correctives.

**Tableau 5 Messages d'erreur**

Erreur	Solution
BLOC TROP CHAUD! ATTENDEZ	La température du bloc de chauffage est supérieure à la température sélectionnée. Attendre que la température du bloc de chauffage baisse.
INIT ERREUR	L'appareil est défectueux. Contacter le service client.

## Pièces de rechange et accessoires

### ▲ AVERTISSEMENT



Risque de blessures corporelles. L'utilisation de pièces non approuvées comporte un risque de blessure, d'endommagement de l'appareil ou de panne d'équipement. Les pièces de rechange de cette section sont approuvées par le fabricant.

**Remarque** : Les numéros de référence de produit et d'article peuvent dépendre des régions de commercialisation. Prenez contact avec le distributeur approprié ou consultez le site web de la société pour connaître les personnes à contacter.

## Pièces de rechange

Description	Quantité	Article n°
Couvercle de protection	1	LZT048

## Accessoires—DRB 200

Description	Quantité	Article n°
Adaptateur réducteur, 20 > 16 mm	1	HHA155
Adaptateur réducteur, 16 > 13 mm	1	2895805
Tube, 16 x 100 mm	1	2275800
Tube, 16 x 100 mm	6	2275806
Thermomètre, 0 à 200 °C	1	4565500

## Tabla de contenidos

<a href="#">Especificaciones</a> en la página 45	<a href="#">Funcionamiento</a> en la página 51
<a href="#">Información general</a> en la página 25	<a href="#">Mantenimiento</a> en la página 53
<a href="#">Instalación</a> en la página 47	<a href="#">Solución de problemas</a> en la página 54
<a href="#">Interfaz del usuario y navegación</a> en la página 49	<a href="#">Piezas de repuesto y accesorios</a> en la página 54
<a href="#">Puesta en marcha</a> en la página 50	

## Especificaciones

Las especificaciones están sujetas a cambios sin previo aviso.

Especificación	Detalles
Dimensiones	25 x 14,5 x 31 cm (9,8 x 5,7 x 12,2 pulg.)
Peso	Bloque calefactor individual: 2 kg (4,4 lb) Bloque calefactor dual: 2,8 kg (6,17 lb)
Requisitos de alimentación	100 – 240 V, +5%/–15%, 50/60 Hz, Clase de protección I
Entrada de alimentación	Bloque calefactor individual: 115 V: 300 VA; 230 V: 450 VA Bloque calefactor dual: 115 V: 600 VA; 230 V: 900 VA
Temperatura de almacenamiento	–40 a +60 °C (–40 a +140 °F)
Temperatura de funcionamiento	10 a 45 °C (50 a 113 °F)
Humedad de funcionamiento	90% (sin condensación)
Rango de temperatura	LT 200: de 37 a 150 °C (de 98,6 a 302 °F) DRB 200: de 37 a 165 °C (de 98,6 a 329 °F)
	Temporizador: 0 a 480 minutos

Especificación	Detalles
Estabilidad de la temperatura	LT 200: $\pm 1$ °C ( $\pm 2$ °F) DRB 200: $\pm 2$ °C ( $\pm 3,5$ °F)
Tasa de calentamiento	LT 200: de 20 a 148 °C (de 68 a 298 °F) en 10 minutos (a DIN 38409-44) DRB 200: de 20 a 150 °C (de 68 a 302 °F) en 10 minutos
Certificación	CE y cTUVus

## Información general

En ningún caso el fabricante será responsable de ningún daño directo, indirecto, especial, accidental o resultante de un defecto u omisión en este manual. El fabricante se reserva el derecho a modificar este manual y los productos que describen en cualquier momento, sin aviso ni obligación. Las ediciones revisadas se encuentran en la página web del fabricante.

## Información de seguridad

### AVISO

El fabricante no es responsable de ningún daño debido a un mal uso de este producto incluyendo, sin limitación, daños directos, fortuitos o circunstanciales y reclamaciones sobre los daños que no estén recogidos en la legislación vigente. El usuario es el responsable de la identificación de los riesgos críticos y de tener los mecanismos adecuados de protección de los procesos en caso de un posible mal funcionamiento del equipo.

Lea todo el manual antes de desembalar, instalar o trabajar con este equipo. Ponga atención a todas las advertencias y avisos de peligro. El no hacerlo puede provocar heridas graves al usuario o daños al equipo.

Asegúrese de que la protección proporcionada por el equipo no está dañada. No utilice ni instale este equipo de manera distinta a lo especificado en este manual.

## Uso de la información sobre riesgos

<b>▲ PELIGRO</b>
Indica una situación potencial o de riesgo inminente que, de no evitarse, provocará la muerte o lesiones graves.



<b>▲ ADVERTENCIA</b>
Indica una situación potencial o inminentemente peligrosa que, de no evitarse, podría provocar la muerte o lesiones graves.



<b>▲ PRECAUCIÓN</b>
Indica una situación potencialmente peligrosa que podría provocar una lesión menor o moderada.

<b>AVISO</b>
Indica una situación que, si no se evita, puede provocar daños en el instrumento. Información que requiere especial énfasis.

## Etiquetas de precaución

Lea todas las etiquetas y rótulos adheridos al instrumento. En caso contrario, podrían producirse heridas personales o daños en el instrumento. Se incluye un símbolo, en caso de estar rotulado en el equipo, con una indicación de peligro o de advertencia en el manual.

	Este símbolo (en caso de estar colocado en el equipo) hace referencia a las instrucciones de uso o a la información de seguridad del manual.
	En Europa, el equipo eléctrico marcado con este símbolo no se debe desechar mediante el servicio de recogida de basura doméstica o pública. Devuelva los equipos viejos o que hayan alcanzado el término de su vida útil al fabricante para su eliminación sin cargo para el usuario.

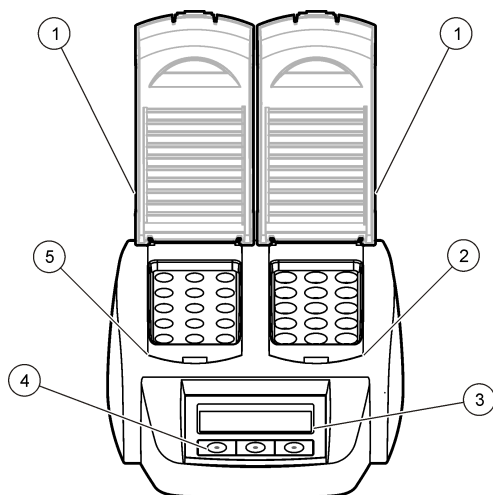
	Este símbolo indica que la pieza marcada podría estar caliente y que debe tocarse con precaución.
	Este símbolo indica que el objeto marcado requiere una toma a tierra de seguridad. Si el instrumento no se suministra con un cable con enchufe de toma a tierra, realice la conexión a tierra de protección al terminal conductor de seguridad.

## Descripción general del producto

El instrumento tiene uno o dos bloques calefactores que aumentan la temperatura de las soluciones de cubetas de muestra redondas hasta alcanzar una temperatura especificada durante un periodo de tiempo especificado (Figura 1).

El LT 200 tiene tres programas de temperatura guardados, y seis programas de temperatura configurados por el usuario y guardados. El DRB 200 tiene seis programas de temperatura guardados, y tres programas de temperatura configurados por el usuario y guardados.

Figura 1 Vista frontal



1 Cubierta protectora	3 Pantalla	5 Bloque calefactor izquierdo
2 Bloque calefactor derecho	4 Teclas	

## Instalación

### Instale las cubiertas protectoras

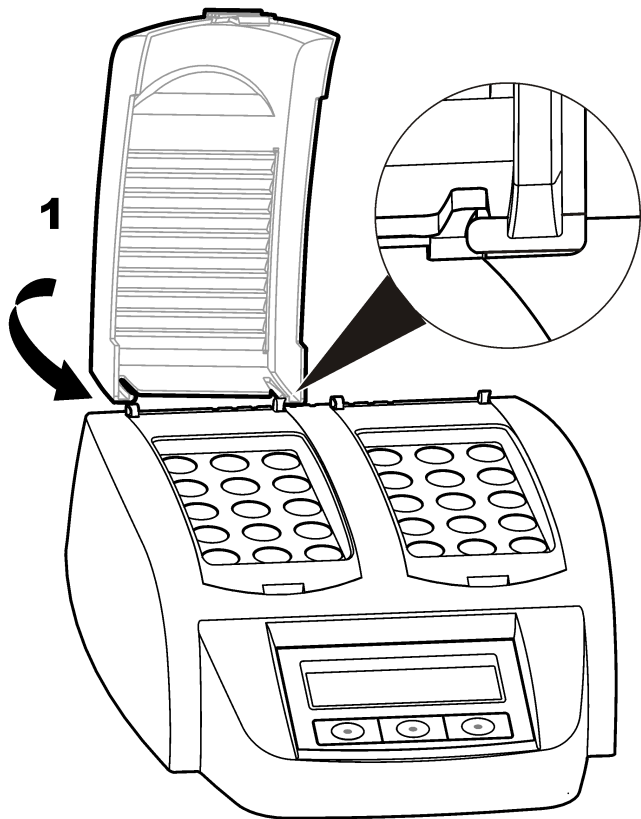
#### ⚠ ADVERTENCIA



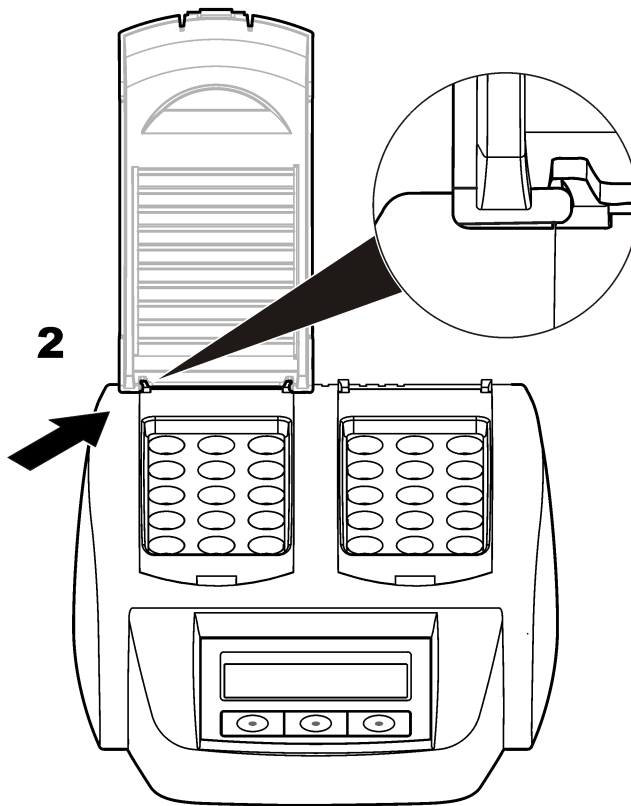
Peligro de quemadura y descarga. Se debe instalar la cubierta protectora para evitar lesiones personales. La cubierta protectora evita que se produzcan quemaduras y que el cable de alimentación entre en contacto con el bloque calefactor.

Consulte los pasos ilustrados que se muestran a continuación.

1



2



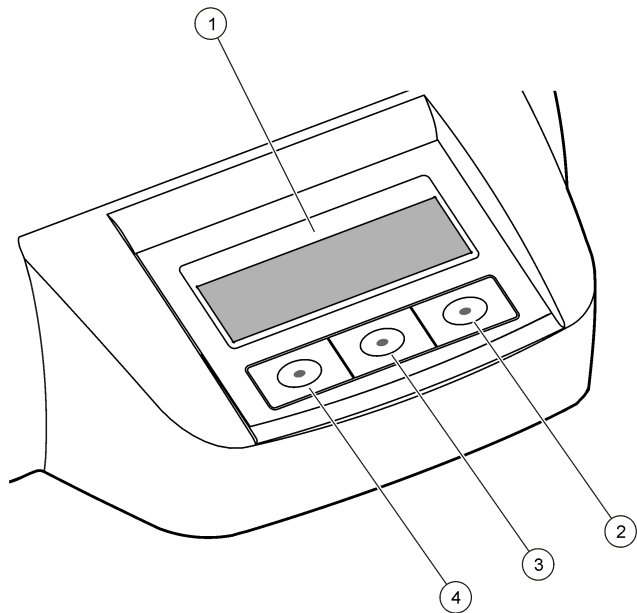


## Interfaz del usuario y navegación

### Interfaz del usuario

El instrumento se maneja utilizando las tres teclas situadas debajo de la pantalla (Figura 2). La función de cada tecla se muestra en la pantalla. Si no se muestra ninguna función para la tecla, significa que dicha tecla no está activa en ese momento.

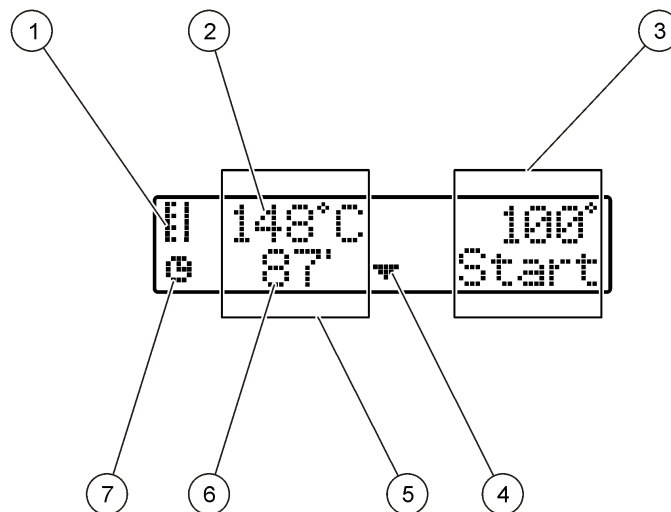
Figura 2 Descripción del teclado



1 Pantalla	3 Tecla central
2 Tecla derecha	4 Tecla izquierda

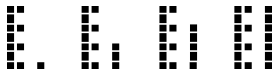
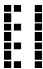

## Descripción de la pantalla

Figura 3 Aspecto de la pantalla cuando hay un programa activo sólo en el bloque calefactor izquierdo



1 Símbolo del termómetro	5 Bloque calefactor izquierdo
2 Temperatura del bloque calefactor	6 Tiempo restante
3 Bloque calefactor derecho	7 Símbolo del temporizador
4 Tecla de flecha hacia abajo (utilízela para seleccionar el programa)	

**Tabla 1 Símbolos del termómetro**

Símbolo	Descripción
	El bloque calefactor aumenta de temperatura.
	El bloque calefactor tiene la temperatura seleccionada.
	El bloque calefactor disminuye de temperatura.

## Puesta en marcha

### Encendido del instrumento

#### AVISO

No apague y encienda el instrumento rápidamente, ya que podría causar daños al mismo. Espere siempre unos 20 segundos antes de volver a encender el instrumento.

1. Coloque el instrumento en una superficie estable, nivelada y resistente al calor.
2. Conecte el cable de alimentación al enchufe de la parte posterior del instrumento.
3. Conecte el cable de alimentación a la toma de corriente con conexión a tierra.
4. Pulse el interruptor situado en la parte posterior del instrumento para encenderlo.

La primera vez que encienda el instrumento, se mostrará la pantalla de selección de idioma. Consulte [Selección de idioma](#) en la página 50.

## Selección de idioma

1. Mantenga pulsada la tecla izquierda y encienda el instrumento.
2. Pulse la tecla de flecha derecha para desplazarse por el menú. La pantalla vuelve al inicio del menú al final de éste.
3. Cuando se muestre el idioma correcto, pulse la tecla para ese idioma. Consulte [Tabla 2](#).

**Tabla 2 Configuración de idioma**

Ajuste	Idioma	Ajuste	Idioma
GB	Inglés	E	Español
D	Alemán	NL	Holandés
F	Francés	S	Sueco
I	Italiano	PL	Polaco

## Ajuste del contraste de la pantalla

1. Mantenga pulsada la tecla central y encienda el instrumento.
2. Mantenga pulsadas las teclas de flecha arriba y abajo para cambiar el valor de contraste.
3. Pulse **OK** para guardar los cambios.

## Funcionamiento

### ⚠ PELIGRO



Peligro por exposición a productos químicos. Respete los procedimientos de seguridad del laboratorio y utilice el equipo de protección personal adecuado para las sustancias químicas que vaya a manipular. Consulte los protocolos de seguridad en las hojas de datos de seguridad actuales (MSDS/SDS).



## Funcionamiento rutinario

### ⚠ PRECAUCIÓN



Peligro de quemadura. No introduzca los dedos en ninguna abertura del bloque calefactor. Cierre la cubierta protectora antes de que aumente la temperatura del bloque calefactor, y manténgala siempre cerrada durante su funcionamiento.

### ⚠ PRECAUCIÓN



Peligro de quemadura. Las cubetas de muestra están calientes. Protéjase con material aislante térmico (p. ej., guantes o dediles). No retire la cubeta de muestra si su temperatura supera los 80 °C. No coloque una cubeta de muestra con una temperatura superior a 80 °C en un colorímetro.

### ⚠ PRECAUCIÓN



Peligro químico. Si la cubeta de muestra se rompe, evite que el líquido entre en contacto con la piel. Si es necesario, utilice una campana extractora para eliminar los humos químicos.

### ⚠ PRECAUCIÓN



Peligro por exposición a productos químicos. Deshágase de los productos químicos y los residuos de acuerdo con las normativas locales, regionales y nacionales.

### AVISO

Para evitar que la cubeta de muestra y el instrumento sufran daños, mantenga secas las aberturas del bloque calefactor. Seque completamente la parte exterior de las cubetas de muestra.

### AVISO

Para evitar que el instrumento sufra daños, desconecte inmediatamente la alimentación si se derrama líquido de forma accidental o si se rompe una cubeta de muestra y, a continuación, limpie el instrumento. Consulte [Limpieza del instrumento](#) en la página 53.

### AVISO

No cubra las ranuras de ventilación de la cubierta protectora. Es posible que el instrumento y las cubetas de muestra se sobrecalienten y que la medición pierda exactitud.

1. Prepare las cubetas de muestra de prueba tal y como se especifica en el procedimiento de análisis.
2. Cierre las cubetas de muestra con la tapa.
3. Seque completamente la parte exterior de las cubetas de muestra.
4. Encienda el instrumento y abra la cubierta protectora. En la pantalla se muestra el último o últimos programas de temperatura seleccionados.
5. Si se utilizan tubos de 16 mm con un bloque calefactor con aberturas de 20 mm, coloque los adaptadores reductores en las aberturas.
6. LT 200: Coloque las cubetas de muestra de prueba en el bloque calefactor correcto y cierre la cubierta protectora.
7. Utilice las teclas para seleccionar el programa de temperatura correcto (y el tiempo de digestión, si corresponde) y, a continuación, pulse **Start** (Iniciar). Consulte [Programas guardados](#) en la página 52. Cuando hay dos bloques calefactores, se selecciona el programa de temperatura de forma independiente para cada uno de ellos.

**Nota:** Para detener un programa, pulse dos veces la tecla que aparece debajo del programa.

LT 200: Se ejecuta el programa de digestión. La temperatura del bloque calefactor aumenta hasta alcanzar la temperatura seleccionada y, a continuación, comienza la cuenta atrás hasta llegar a cero (0). Cuando el programa de digestión finaliza, se oyen tres pitidos y el calentador se apaga.

DRB 200: La temperatura del bloque calefactor aumenta hasta alcanzar la temperatura seleccionada.

8. DRB 200: Cuando el bloque calefactor alcanza la temperatura seleccionada (se oyen dos pitidos), coloque las cubetas de muestra de prueba en el bloque calefactor correcto y cierre la cubierta protectora. Pulse **Start** (Iniciar) para iniciar el programa de digestión.

Cuando el programa de digestión finaliza, se oyen tres pitidos y el calentador se apaga.

## Programas guardados

En la [Tabla 3](#) se indican las descripciones de los programas de temperatura guardados para el LT 200. En la [Tabla 4](#) se indican las descripciones de los programas de temperatura guardados para el DRB 200.

**Tabla 3 Programas guardados — LT 200**

Programa	Descripción
DQO	Aumenta la temperatura de las cubetas de muestras a 148 °C durante 120 minutos. En la fase de refrigeración, se oyen cuatro pitidos cuando las cubetas de muestras alcanzan una temperatura de 80 °C. Retire e invierta cuidadosamente las cubetas de muestras varias veces antes de que descienda de temperatura en el estante.  El programa de temperatura DQO se puede utilizar para todas las pruebas de la cubeta de muestras DQO.
100 °C	Aumenta la temperatura de las cubetas de muestras a 100 °C durante 10, 60 o 120 minutos.  Por ejemplo, el programa de temperatura de "100 °C, 60 minutos" se utiliza para: <ul style="list-style-type: none"> <li>• Identificar el fosfato y el cromo</li> <li>• Digerir los metales pesados</li> <li>• Digerir las muestras utilizando LCW 902 Crack Set</li> </ul>
40 °C	Aumenta la temperatura de las cubetas de muestras a 40 °C durante 10 minutos.  Por ejemplo, el programa de temperatura de "40 °C, 10 minutos" se utiliza para la prueba de formaldehído o las pruebas de alimentación enzimática.

**Tabla 4 Programas guardados — DRB 200**

Programa	Descripción
DQO	Aumenta la temperatura de las cubetas de muestras a 150 °C durante 120 minutos. En la fase de refrigeración, se oyen cuatro pitidos cuando las cubetas de muestras alcanzan una temperatura de 120 °C. Retire e invierta cuidadosamente las cubetas de muestras varias veces antes de que desciendan de temperatura en el estante.
TOC	Aumenta la temperatura de las cubetas de muestras a 105 °C durante 120 minutos. El programa de temperatura TOC se puede utilizar para todas las pruebas de las cubetas de muestras TOC de Hach.
100 °C	Aumenta la temperatura de las cubetas de muestras a 100 °C durante 30, 60 o 120 minutos. Por ejemplo, el programa de temperatura de "100 °C, 60 minutos" se utiliza para: <ul style="list-style-type: none"> <li>• Las muestras de digestión que utilizan el Conjunto de preparación de metales</li> <li>• Identificar el fosfato y el cromo</li> <li>• Digerir los metales pesados</li> </ul>
105 °C	Aumenta la temperatura de las cubetas de muestras a 105 °C durante 30, 60 o 120 minutos.
150 °C	Aumenta la temperatura de las cubetas de muestras a 150 °C durante 30, 60 o 120 minutos.
165 °C	Aumenta la temperatura de las cubetas de muestras a 165 °C durante 30, 60 o 120 minutos.

## Programas de usuario


El LT 200 tiene seis programas de temperatura que configura el usuario (PRG1–PRG6). El DRB 200 tiene tres programas de temperatura que configura el usuario (PRG1–PRG3).

Para configurar un programa de temperatura del usuario:

1. Utilice las teclas para seleccionar un programa de temperatura de usuario.
2. Pulse **Progr.** para acceder al modo de programación.

3. Seleccione un nombre de 4 caracteres para el programa. Pulse la tecla izquierda para cambiar el carácter. Pulse la tecla de flecha derecha para mover el cursor a la siguiente posición. Pulse **OK** para guardar el cambio.
4. Mantenga pulsadas las teclas de flecha arriba y abajo para ajustar la temperatura (de 37 a 150 °C). Pulse **OK** para guardar el cambio.
5. Mantenga pulsadas las teclas de flecha arriba y abajo para ajustar el tiempo (de 0 a 480 minutos). Pulse **OK** para guardar el cambio.
6. Pulse **OK** para guardar el programa.


## Mantenimiento


<b>⚠ PRECAUCIÓN</b>	
	Peligros diversos. Sólo el personal cualificado debe realizar las tareas descritas en esta sección del documento.

<b>AVISO</b>	
No desmonte el instrumento para el mantenimiento. Si es necesario limpiar o reparar los componentes internos, póngase en contacto con el fabricante.	

## Limpieza del instrumento

Mantenga el instrumento limpio para que su funcionamiento sea continuo y preciso.

<b>⚠ PRECAUCIÓN</b>	
	Peligro de incendio. No utilice agentes inflamables para limpiar el instrumento.

<b>⚠ PRECAUCIÓN</b>	
	Peligro de quemadura. No limpie el instrumento cuando esté caliente.

## AVISO

Para evitar que el instrumento sufra daños, no utilice agentes limpiadores como trementina, acetona o productos similares para limpiar el instrumento, incluida la pantalla.

1. Apague el instrumento y desconecte el cable de alimentación.
2. Cuando se enfríe el instrumento, limpie la superficie con un paño suave y húmedo, y una solución jabonosa suave. Asegúrese de que no cae agua dentro del instrumento.

Si se derrama líquido de una cubeta de muestra o ésta se rompe:

1. Apague el instrumento y desconecte el cable de alimentación.
2. Deje que se enfríen los bloques calefactores y las cubetas de muestra.
3. Retire el líquido con una pipeta. Evite que el líquido entre en contacto con la piel.
4. Deseche el líquido en su emplazamiento correspondiente.
5. Sírvese de unas tenazas para desechar el cristal roto. Elimine los restos de líquido del instrumento. Evite que el líquido entre en contacto con la piel.

## Medición de la temperatura del bloque calefactor

Mida la temperatura del bloque calefactor para asegurarse de que la temperatura que aparece en la pantalla es correcta.

La temperatura que aparece en la pantalla es la temperatura en una cubeta de muestra cerrada que se rellena con líquido. A medida que aumenta la temperatura del bloque calefactor, dicha temperatura, cerca del calefactor, puede ser superior a la temperatura que aparezca en la pantalla.

Herramientas necesarias:

- Cubeta de muestra (LT 200: LCW906, DRB 200: 2275800)
- Glicerol (anhidro), 5 ml
- Termómetro, tipo vástago, calibrado para una temperatura de 95 a 155 °C (de 203 a 311 °F), tipo 67C para ASTM

Para medir la temperatura del bloque calefactor:

1. Rellene una cubeta de muestra limpia y vacía con glicerol a temperatura ambiente.
2. Coloque el termómetro en una cubeta de muestra hasta que éste toque la parte inferior de la cubeta de muestra.
3. LT 200: Asegúrese de que el nivel de glicerol es de 62 mm  $\pm$  0,5 mm (2,44 pulg.  $\pm$  0,02 pulg.) desde la parte inferior de la cubeta de muestra cuando el termómetro esté en la cubeta de muestra.
4. DRB 200: Asegúrese de que el nivel de glicerol es de 56 mm  $\pm$  0,5 mm (2,20 pulg.  $\pm$  0,02 pulg.) desde la parte inferior de la cubeta de muestra cuando el termómetro esté en la cubeta de muestra.
5. Coloque la cubeta de muestra en la abertura central de la segunda fila del bloque calefactor.
6. Inicie el programa de temperatura de 100 °C durante 60 minutos utilizando las teclas y, a continuación, pulse **OK**.
7. Cuando el bloque calefactor alcance la temperatura seleccionada (se oyen dos pitidos), la temperatura del termómetro debe ser la misma que la temperatura que aparece en la pantalla.

## Solución de problemas

Consulte la [Tabla 5](#) para conocer los mensajes de error, las posibles causas y las medidas correctoras.

**Tabla 5 Mensajes de error**

Error	Solución
BLOQ. MUY CALIENT ESPERE	La temperatura del bloque calefactor es superior a la temperatura seleccionada. Espere hasta que descienda la temperatura del bloque calefactor.
ERROR INICIAL.	El instrumento es defectuoso. Póngase en contacto con el servicio de atención al cliente.

## Piezas de repuesto y accesorios

### ⚠ ADVERTENCIA



Peligro de lesión personal. El uso de piezas no aprobadas puede causar lesiones personales, daños al instrumento o un mal funcionamiento del equipo. Las piezas de repuesto que aparecen en esta sección están aprobadas por el fabricante.

*Nota:* Los números de producto y artículo pueden variar para algunas regiones de venta. Comuníquese con el distribuidor correspondiente o visite el sitio Web de la compañía para obtener la información de contacto.

### Piezas de repuesto

Descripción	Cantidad	Referencia
Cubierta protectora	1	LZT048

### Accesorios — DRB 200

Descripción	Cantidad	Referencia
Adaptador reductor, 20 > 16 mm	1	HHA155
Adaptador reductor, 16 > 13 mm	1	2895805
Tubo, 16 x 100 mm	1	2275800
Tubo, 16 x 100 mm	6	2275806
Termómetro, de 0 a 200 °C	1	4565500

# Índice

Especificações na página 55

Informação geral na página 55

Instalação na página 57

Interface do utilizador e navegação na página 59

Arranque na página 60

Funcionamento na página 61

Manutenção na página 63

Resolução de problemas na página 64

Acessórios e peças de substituição na página 64

## Especificações

As especificações podem ser alteradas sem aviso prévio.

Especificação	Detalhes
Dimensões	25 x 14,5 x 31 cm
Peso	Bloco térmico simples: 2 kg Bloco térmico duplo: 2,8 kg
Requisitos de energia	100–240 V, +5%/–15%, 50/60 Hz, Classe de protecção I
Alimentação	Bloco térmico simples: 115 V: 300 VA; 230 V: 450 VA Bloco térmico duplo: 115 V: 600 VA; 230 V: 900 VA
Temperatura de armazenamento	–40 a +60 °C
Temperatura de funcionamento	10 a 45 °C
Humidade de funcionamento	90% (sem condensação)
Intervalo de temperatura	LT 200: 37 a 150 °C DRB 200: 37 a 165 °C
	Temporizador: 0 a 480 minutos

Especificação	Detalhes
Estabilidade da temperatura	LT 200: $\pm 1$ °C DRB 200: $\pm 2$ °C
Velocidade de aquecimento	LT 200: de 20 a 148 °C em 10 min (para DIN 38409-44) DRB 200: de 20 a 150 °C em 10 minutos
Certificação	CE e cTUVus

## Informação geral

Em caso algum o fabricante será responsável por quaisquer danos directos, indirectos, especiais, acidentais ou consequenciais resultantes de qualquer incorrecção ou omissão deste manual. O fabricante reserva-se o direito de, a qualquer altura, efectuar alterações neste manual ou no produto nele descrito, sem necessidade de o comunicar ou quaisquer outras obrigações. As edições revistas encontram-se disponíveis no website do fabricante.

## Informações de segurança

### ATENÇÃO

O fabricante não é responsável por quaisquer danos resultantes da aplicação incorrecta ou utilização indevida deste produto, incluindo, mas não limitado a, danos directos, incidentais e consequenciais, não se responsabilizando por tais danos ao abrigo da lei aplicável. O utilizador é o único responsável pela identificação de riscos de aplicação críticos e pela instalação de mecanismos adequados para a protecção dos processos na eventualidade de uma avaria do equipamento.

Leia este manual até ao fim antes de desembalar, programar ou utilizar o aparelho. Dê atenção a todos os avisos relativos a perigos e precauções. A não leitura destas instruções pode resultar em lesões graves para o utilizador ou em danos para o equipamento.

Certifique-se de que a protecção oferecida por este equipamento não é comprometida. Não o utilize ou instale senão da forma especificada neste manual.

## Uso da informação de perigo

### ▲ PERIGO

Indica uma situação de risco potencial ou eminente que, se não for evitada, resultará em morte ou lesão grave.

### ▲ ADVERTÊNCIA

Indica uma situação de perigo potencial ou eminente que, caso não seja evitada, poderá resultar na morte ou em ferimentos graves.

### ▲ AVISO

Indica uma situação de risco potencial, que pode resultar em lesão ligeira a moderada.

### ATENÇÃO

Indica uma situação que, caso não seja evitada, poderá causar danos no instrumento. Informação que requer ênfase especial.

## Etiquetas de precaução

Leia todas as etiquetas presentes no aparelho. A sua não observação pode resultar em lesões para as pessoas ou em danos para o aparelho. Qualquer símbolo afixado no aparelho poderá ser encontrado no manual com a respectiva indicação de perigo ou precaução.



Quando encontrar este símbolo no instrumento, isto significa que deverá consultar o manual de instruções para obter informações sobre o funcionamento do instrumento e/ou de segurança.



O equipamento eléctrico marcado com este símbolo não pode ser eliminado nos sistemas europeus de recolha de lixo doméstico e público. Devolva os equipamentos antigos ou próximos do final da sua vida útil ao fabricante para que os mesmos sejam eliminados sem custos para o utilizador.



Este símbolo indica que a peça marcada pode estar quente e que se deve tocar nela com cuidado.



Este símbolo indica que o item seleccionado requer uma ligação à terra com protecção. Se o instrumento não for fornecido com uma ligação à terra, efectue uma ligação à terra com protecção ao terminal do condutor com protecção.

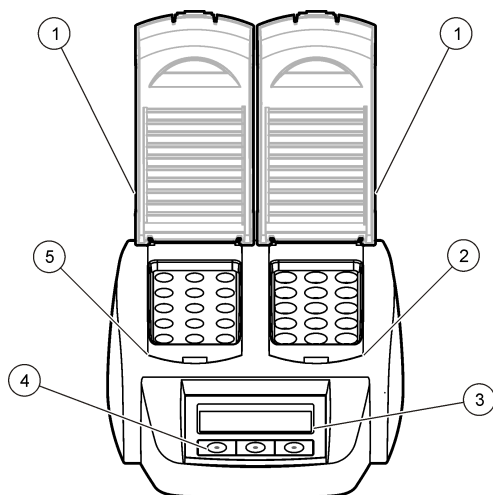
## Descrição geral do produto

Este equipamento tem um ou dois blocos de aquecimento que aumentam a temperatura da solução em células de amostra redondas para uma temperatura especificada durante um período de tempo especificado (Figura 1).

O LT 200 tem três programas de temperatura armazenados e seis programas de temperatura configurados pelo utilizador e guardados. O DRB 200 tem seis programas de temperatura armazenados e três programas de temperatura configurados pelo utilizador e guardados.



Figura 1 Vista frontal



## Instalação

### Instalar as coberturas de protecção

#### ⚠ ADVERTÊNCIA

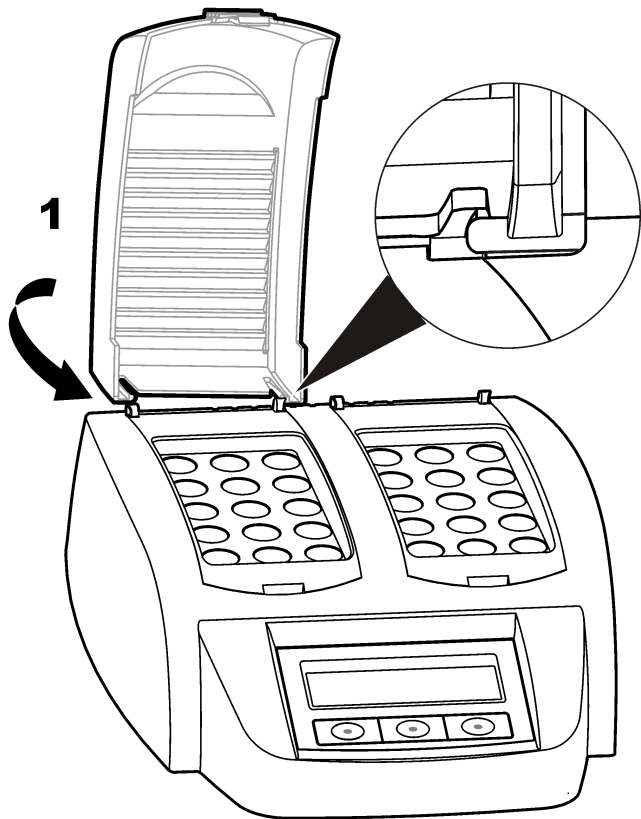


Risco de choque e queimaduras. A cobertura de protecção deve ser instalada para evitar lesões. A cobertura de protecção evita a ocorrência de queimaduras e o contacto do cabo de alimentação com o bloco de aquecimento.

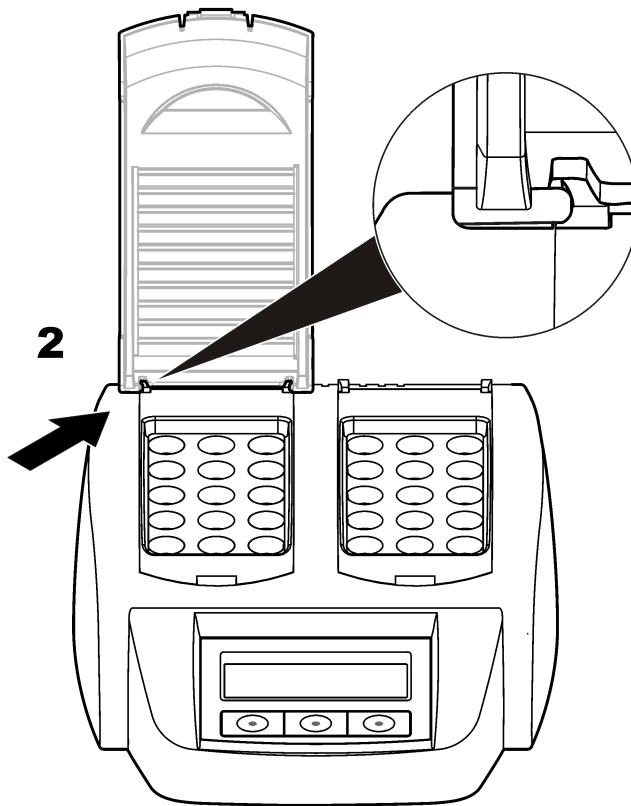
Consulte os passos abaixo ilustrados.

1 Cobertura de protecção	3 Visor	5 Bloco de aquecimento do lado esquerdo
2 Bloco de aquecimento do lado direito	4 Teclas	

1



2

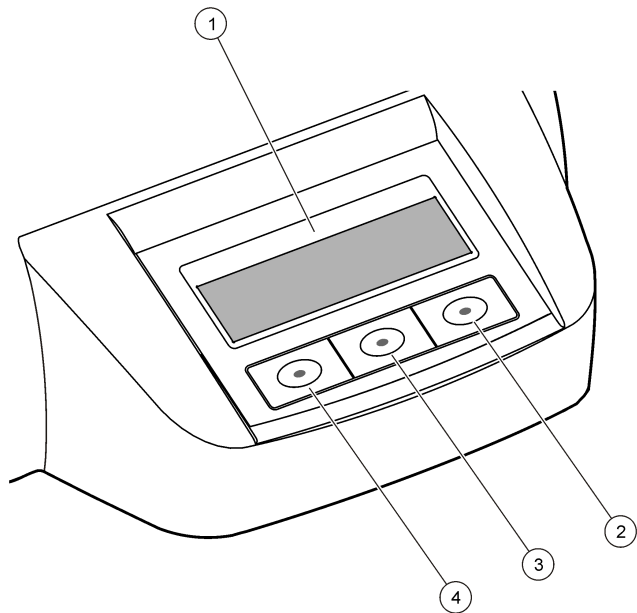


## Interface do utilizador e navegação

### Interface do utilizador

O instrumento é controlado através de três teclas, que se encontram abaixo do visor (Figura 2). A função de cada tecla é apresentada no visor. Se não for apresentada qualquer função relativa a uma tecla, isso significa que a tecla não está actualmente activa.

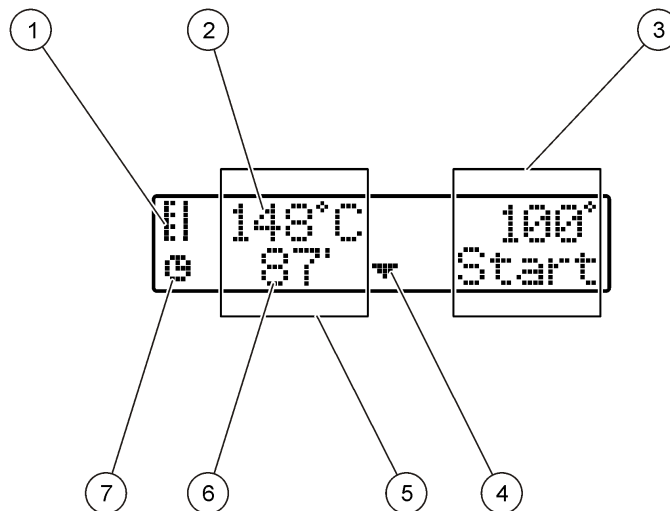
Figura 2 Descrição do teclado



1 Ecrã	3 Tecla do meio
2 Tecla direita	4 Tecla esquerda

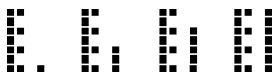
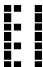
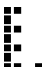
### Descrição do ecrã

Figura 3 Ecrã apresentado quando um programa está activo apenas no bloco térmico no lado esquerdo



1 Símbolo de termómetro	5 Bloco de aquecimento do lado esquerdo
2 Temperatura do bloco térmico	6 Tempo restante
3 Bloco de aquecimento do lado direito	7 Símbolo de temporizador
4 Tecla de seta para baixo (utilize-a para seleccionar o programa)	

**Tabela 1 Símbolos de termómetro**

Símbolo	Descrição
	Verifica-se um aumento de temperatura no bloco térmico.
	O bloco de aquecimento encontra-se na temperatura seleccionada.
	Verifica-se uma diminuição de temperatura no bloco de aquecimento.

## Arranque

### Ligar o equipamento

#### ATENÇÃO

Não desligue e ligue o equipamento rapidamente, uma vez que o pode danificar. Aguarde sempre cerca de 20 segundos antes de voltar a ligar o equipamento.

1. Coloque o equipamento numa superfície estável, nivelada e resistente ao calor.
2. Ligue o cabo de alimentação ao cabo de alimentação na parte de trás do equipamento.
3. Ligue o cabo de alimentação a uma tomada com ligação à terra.
4. Prima o interruptor de alimentação na parte de trás do equipamento para ligá-lo.

Quando o equipamento é ligado pela primeira vez, aparece o ecrã de selecção do idioma. Consulte a [Seleccionar o idioma](#) na página 60.

### Seleccionar o idioma

1. Mantenha premida a tecla esquerda e ligue o equipamento.

2. Prima a tecla de seta direita para percorrer o menu. O visor vai para o início do menu na parte inferior do menu.
3. Quando aparecer o idioma pretendido, prima a tecla que corresponde ao idioma. Consulte a [Tabela 2](#).



**Tabela 2 Definições de idioma**

Definição	Idioma	Definição	Idioma
GB	Inglês	E	Espanhol
D	Alemão	NL	Neerlandês
F	Francês	S	Sueco
I	Italiano	PL	Polaco


### Definir o contraste do ecrã


1. Mantenha premida a tecla do meio e ligue o instrumento.
2. Prima ou mantenha premidas as teclas para cima e para baixo para alterar o valor de contraste.
3. Prima **OK** para guardar a alteração.


## Funcionamento


▲ PERIGO	
 	Perigo de exposição a produtos químicos. Siga os procedimentos de segurança do laboratório e utilize todo o equipamento de protecção pessoal adequado aos produtos químicos manuseados. Consulte as fichas de dados sobre segurança de materiais (MSDS/SDS) para protocolos de segurança.

## Operação de rotina

▲ AVISO	
	Risco de queimaduras. Não insira os dedos dentro da abertura do bloco térmico. Feche a cobertura de protecção antes de aumentar a temperatura do bloco térmico e mantenha a cobertura de protecção sempre fechada durante a operação.

▲ AVISO	
	Risco de queimaduras. As células de amostra estão quentes. Utilize material isolante térmico (por exemplo, luvas ou dedos de luvas). Não retire uma célula de amostra que esteja a uma temperatura superior a 80 °C. Não coloque uma célula de amostra a uma temperatura superior a 80 °C num colorímetro.

▲ AVISO	
	Risco químico. Se uma célula de amostra se partir, não deixe que o líquido entre em contacto com a pele. Se necessário, utilize uma campânula extractora de fumos para remover os vapores químicos.

▲ AVISO	
	Perigo de exposição a produtos químicos. Elimine os produtos químicos e os resíduos de acordo com as regulamentações locais, regionais e nacionais.

ATENÇÃO	
Para evitar danos na célula de amostra e no equipamento, mantenha as aberturas do bloco térmico secas. Seque por completo a parte exterior das células de amostra.	

ATENÇÃO	
Para evitar danos no equipamento, desligue a corrente de imediato em caso de derramamento accidental ou se uma célula de amostra se partir e, em seguida, limpe o aparelho. Consulte a <a href="#">Limpeza do equipamento</a> na página 63.	

ATENÇÃO	
Não cubra as aberturas de ventilação na cobertura de protecção. O equipamento e as células de amostra podem ficar demasiado quentes e o rigor de medição pode ser afectado.	

1. Prepare as células de amostra de teste, conforme especificado no procedimento de análise.
2. Feche as células de amostra com a tampa.
3. Seque por completo a parte exterior das células de amostra.
4. Ligue o equipamento e abra a cobertura de protecção. Os últimos programas de temperatura seleccionados são apresentados no visor.
5. Se utilizar tubos de 16 mm com um bloco térmico que tenha aberturas de 20 mm, instale tubos de redução nas aberturas.
6. LT 200: coloque as células de amostra de teste no bloco térmico correcto e feche a cobertura de protecção.
7. Selecione o programa de temperatura correcto (e o período de assimilação, se necessário) com as chaves e, em seguida, prima **Start** (Iniciar). Consulte a [Programas armazenados](#) na página 62. Se houver dois blocos térmicos, é escolhido um programa de temperatura independente para cada bloco térmico.  
*Nota: Para parar um programa, prima duas vezes a tecla indicada abaixo do programa.*  
LT 200: o programa de assimilação é iniciado. A temperatura do bloco térmico aumenta para a temperatura seleccionada e, em seguida, é iniciada uma contagem decrescente para zero (0). São emitidos três sinais sonoros e o aquecedor desliga-se quando o programa de assimilação é concluído.  
DRB 200: a temperatura do bloco térmico aumenta para a temperatura seleccionada.
8. DRB 200: quando o bloco térmico atingir a temperatura seleccionada (são emitidos dois sinais sonoros), coloque as células de amostra no

bloco térmico correcto e feche a cobertura de protecção. Prima **Start** (Iniciar) para dar início ao programa de assimilação.

São emitidos três sinais sonoros e o aquecedor desliga-se quando o programa de assimilação é concluído.

## Programas armazenados

**Tabela 3** inclui descrições acerca dos programas de temperatura armazenados para o LT 200. **Tabela 4** inclui descrições acerca dos programas de temperatura armazenados para o DRB 200.

**Tabela 3 Programas armazenados—LT 200**

Programa	Descrição
COD	Aumenta a temperatura das células de amostra para 148 °C durante 120 minutos. Na fase de arrefecimento, são emitidos quatro sinais sonoros quando as células de amostra atingem 80 °C. Retire e altere a posição das células de amostra com cuidado várias vezes, antes de as colocar numa prateleira a arrefecerem.  O programa de temperatura TOC pode ser utilizado para todos os testes de células de amostra COD.
100 °C	Aumenta a temperatura das células de amostra para 100 °C durante 10, 60 ou 120 minutos.  Por exemplo, o programa de temperatura “100 °C, 60 minutos” (100 °C, 60 minutos) é utilizado para: <ul style="list-style-type: none"><li>• Identificar fosfato e crómio;</li><li>• Absorver metais pesados.</li><li>• Absorver amostras que utilizam o conjunto Crack LCW 902</li></ul>
40 °C	Aumenta a temperatura das células de amostra para 40 °C durante 10 minutos.  Por exemplo, o programa de temperatura “40 °C, 10 minutos” (40 °C, 10 minutos) é utilizado para testes de formaldeído ou testes de alimentos enzimáticos.

**Tabela 4 Programas armazenados—DRB 200**

Programa	Descrição
COD	Aumenta a temperatura das células de amostra para 150 °C durante 120 minutos. Na fase de arrefecimento, são emitidos quatro sinais sonoros quando as células de amostra atingem 120 °C. Retire e altere a posição das células de amostra com cuidado várias vezes, antes de as colocar numa prateleira a arrefecerem.
TOC	Aumenta a temperatura das células de amostra para 105 °C durante 120 minutos. O programa de temperatura TOC pode ser utilizado para todos os testes de células de amostra Hach TOC.
100 °C	Aumenta a temperatura das células de amostra para 100 °C durante 30, 60 ou 120 minutos. Por exemplo, o programa de temperatura “100 °C, 60 minutos” (100 °C, 60 minutos) é utilizado para: <ul style="list-style-type: none"><li>• Absorver amostras que utilizam o conjunto de preparação de metal;</li><li>• Identificar fosfato e crómio;</li><li>• Absorver metais pesados.</li></ul>
105 °C	Aumenta a temperatura das células de amostra para 105 °C durante 30, 60 ou 120 minutos.
150 °C	Aumenta a temperatura das células de amostra para 150 °C durante 30, 60 ou 120 minutos.
165 °C	Aumenta a temperatura das células de amostra para 165 °C durante 30, 60 ou 120 minutos.

## Programas do utilizador

O LT 200 tem seis programas de temperatura que são configuradas pelo utilizador (PRG1–PRG6). O DRB 200 tem três programas de temperatura que são configurados pelo utilizador (PRG1–PRG3).

Para configurar um programa de temperatura definido pelo utilizador:

1. Utilize as teclas para seleccionar um programa de temperatura definido pelo utilizador.
2. Prima **Prog** (Prog.) para aceder ao modo de programação.

3. Seleccione um nome com 4 caracteres para o programa. Prima a tecla esquerda para alterar o carácter. Prima a tecla de seta para a direita para mover o cursor para a posição seguinte. Prima **OK** para guardar a alteração.
4. Prima ou mantenha premidas as teclas de setas para cima ou para baixo para especificar a temperatura (37 a 150 °C). Prima **OK** para guardar a alteração.
5. Prima ou mantenha premidas as teclas de setas para cima ou para baixo para especificar a hora (0 a 480 minutos). Prima **OK** para guardar a alteração.
6. Prima **OK** para guardar o programa.

## Manutenção

### ⚠ AVISO



Vários perigos. Apenas pessoal qualificado deverá realizar as tarefas descritas nesta secção do documento.

### ATENÇÃO

Não desmonte o instrumento para proceder à manutenção. Se for necessário limpar ou reparar os componentes internos, contacte o fabricante.

## Limpeza do equipamento

Mantenha o produto limpo para obter um funcionamento contínuo e rigoroso.

### ⚠ AVISO



Perigo de incêndio. Não utilize produtos inflamáveis para efectuar a limpeza do instrumento.

### ⚠ AVISO



Risco de queimaduras. Não limpe o equipamento quando estiver quente.

### ATENÇÃO

Para evitar danos no equipamento, não utilize produtos de limpeza tais como terebintina, acetona ou produtos semelhantes para limpar o equipamento, incluindo o visor.

1. Desligue o equipamento e retire o cabo de alimentação da tomada de corrente.
2. Quando o equipamento arrefecer, limpe a superfície com um pano macio e húmido e com uma solução ligeira de sabão. Certifique-se de que não entra água no equipamento.

Se o líquido numa célula de amostra verter ou a célula de amostra romper:

1. Desligue o equipamento e retire o cabo de alimentação da tomada de corrente.
2. Diminua a temperatura do(s) bloco(s) térmico(s) e das células de amostra até arrefecerem.
3. Retire o líquido com uma pipeta. Não deixe que o líquido entre em contacto com a pele.
4. Mova o líquido para a eliminação correcta.
5. Utilize pinças para retirar qualquer vidro partido. Retire qualquer líquido restante no equipamento. Não deixe que o líquido entre em contacto com a pele.

## Medir a temperatura do bloco de aquecimento

Meça a temperatura do bloco de aquecimento para certificar-se de que a temperatura indicada no visor é correcta.

A temperatura indicada no visor corresponde à temperatura numa célula de amostra fechada que contém um líquido. Se a temperatura do bloco de aquecimento aumentar, a temperatura do bloco de aquecimento, junto do aquecedor, pode ser superior à temperatura indicada no visor.

São necessárias as seguintes ferramentas:

- Célula de amostra (LT 200: LCW906, DRB 200: 2275800)
- Glicerol (anídrico), 5 mL

- Termómetro, tipo haste, termómetro, calibrado para uma temperatura entre 95 e 155 °C, tipo 67C e ASTM

Para medir a temperatura do bloco de aquecimento:

1. Encha uma célula de amostra limpa e vazia com glicerol e à temperatura ambiente.
2. Coloque o termómetro na célula de amostra até o termómetro tocar na parte inferior da célula de amostra.
3. LT 200: Certifique-se de que o nível de glicerol é de 62 mm  $\pm$  0,5 mm (2,44 pol.  $\pm$  0,02 pol.) na parte inferior da célula de amostra quando o termómetro está dentro da célula de amostra.
4. DRB 200: Certifique-se de que o nível de glicerol é de 56 mm  $\pm$  0,5 mm (2,20 pol.  $\pm$  0,02 pol.) na parte inferior da célula de amostra quando o termómetro está dentro da célula de amostra.
5. Coloque a célula de amostra na abertura central da segunda fila do bloco de aquecimento.
6. Seleccione um programa de temperatura de 100 °C durante 60 minutos utilizando as teclas e, em seguida, prima **OK**.
7. Quando o bloco de aquecimento estiver à temperatura seleccionada (são emitidos dois sinais sonoros), a temperatura do termómetro tem de ser igual à indicada no visor.

## Resolução de problemas

Consulte [Tabela 5](#) para obter informações acerca de mensagens de erros, possíveis causas e medidas correctivas.

**Tabela 5 Mensagens de erro**

Erro	Solução
O BLOCO ESTÁ DEMASIADO QUENTE! AGUARDE	A temperatura do bloco térmico é superior à temperatura seleccionada. Aguarde até que a temperatura do bloco térmico diminua.
ERRO DE INICIALIZAÇÃO	O instrumento apresenta uma avaria. Contacte o Serviço de assistência.

## Acessórios e peças de substituição

### ⚠ ADVERTÊNCIA



Perigo de lesões pessoais. A utilização de peças não aprovadas poderá causar ferimentos, danos no instrumento ou avarias no equipamento. As peças de substituição mencionadas nesta secção foram aprovadas pelo fabricante.

*Nota: Os números do Produto e Artigo podem variar consoante as regiões de venda. Para mais informações de contacto, contacte o distribuidor apropriado ou consulte o site web da empresa.*

### Peças de substituição

Descrição	Quantidade	Item n.º
Cobertura de protecção	1	LZT048

### Acessórios—DRB 200

Descrição	Quantidade	Item n.º
Tubo de redução, 20 > 16 mm	1	HHA155
Tubo de redução, 16 > 13 mm	1	2895805
Tubo, 16 x 100 mm	1	2275800
Tubo, 16 x 100 mm	6	2275806
Termómetro, 0 a 200 °C	1	4565500



## Obsah

Technické údaje na straně 65

Obecné informace na straně 65

Instalace na straně 67

Uživatelské rozhraní a navigační tlačítka na straně 69

Spuštění na straně 70

Provoz na straně 70

Údržba na straně 72

Poruchy, jejich příčiny a odstraňování na straně 73

Náhradní díly a příslušenství na straně 74

## Technické údaje

Technické údaje podléhají změnám bez předchozího upozornění.

Technický údaj	Podrobnosti
Rozměry	25 x 14,5 x 31 cm
Hmotnost	Jednoduchý zahřívací blok: 2 kg Dvojité zahřívací blok: 2,8 kg
Požadavky na napájení	100 - 240 V, +5 %/-15 %, 50/60 Hz, ochranná třída I
Vstup napájení	Jednoduchý zahřívací blok: 115 V: 300 VA; 230 V: 450 VA Dvojité zahřívací blok: 115 V: 600 VA; 230 V: 900 VA
Skladovací teplota	-40 až +60 °C
Provozní teplota	10 až 45 °C
Provozní vlhkost	90 % (nekondenzující)
Rozsah teploty	LT 200: 37 až 150 °C DRB 200: 37 až 165 °C Časovač: 0 až 480 minut
Stabilita teploty	LT 200: ± 1 °C DRB 200: ± 2 °C

Technický údaj	Podrobnosti
Rychlost ohřevu	LT 200: Z 20 na 148 °C za 10 minut (podle normy DIN 38409-44) DRB 200: Z 20 na 150 °C za 10 minut
Certifikace	CE a cTUVus

## Obecné informace

Výrobce není v žádném případě zodpovědný za nepřímé, zvláštní, náhodné či následné škody, které jsou výsledkem jakékoli chyby nebo opomenutí v této příručce. Výrobce si vyhrazuje právo provádět v této příručce a výrobcích v ní popisovaných změny, a to kdykoliv, bez předchozích oznámení či jakýchkoli následných závazků. Revidovaná vydání jsou dostupná na internetových stránkách výrobce.

## Bezpečnostní informace

### UPOZORNĚNÍ

Výrobce neodpovídá za škody způsobené nesprávnou aplikací nebo nesprávným použitím tohoto produktu včetně (nikoli pouze) přímých, náhodných a následných škod a zřídka se odpovědnosti za takové škody v plném rozsahu, nakolik to umožňuje platná legislativa. Uživatel je výhradně zodpovědný za určení kritických rizik aplikace a za instalaci odpovídajících mechanismů ochrany procesů během potenciální nesprávné funkce zařízení.

Před vybalením, montáží a uvedením přístroje do provozu si prosím pozorně přečtete celý tento návod. Zvláštní pozornost věnujte všem upozorněním na možná nebezpečí a výstražným informacím. V opačném případě může dojít k vážným poraněním obsluhy a poškození přístroje.

Ujistěte se, že nedošlo k poškození obalu tohoto zařízení a přístroj nepoužívejte a neinstalujte jinak, než jak je uvedeno v tomto návodu.

### Informace o možném nebezpečí

### ▲ NEBEZPEČÍ

Označuje možnou nebo bezprostředně rizikovou situaci, jež může v případě, že jí nezabráníte, vést k usmrcení nebo vážnému zranění.

## ⚠ VAROVÁNÍ

Upozorňuje na možné nebo skryté nebezpečné situace, jež by bez vhodných preventivních opatření mohly vést k úmrtí nebo vážnému poranění.

## ⚠ POZOR





Upozorňuje na možnou nebezpečnou situaci, jež by mohla mít za následek menší nebo mírné poranění.

## UPOZORNĚNÍ

Označuje situaci, která může způsobit poškození přístroje, pokud se nezabrání jejímu vzniku. Upozorňuje na informace vyžadující zvláštní pozornost.

### Výstražné symboly

Věnujte pozornost všem nálepkám a štítkům umístěným na zařízení. V opačném případě může dojít k poranění osob nebo poškození přístroje. Symbol, uvedený na přístroji, odkazuje na informaci o nebezpečí nebo nutnosti zachovávat opatrnost uvedenou v tomto návodu.

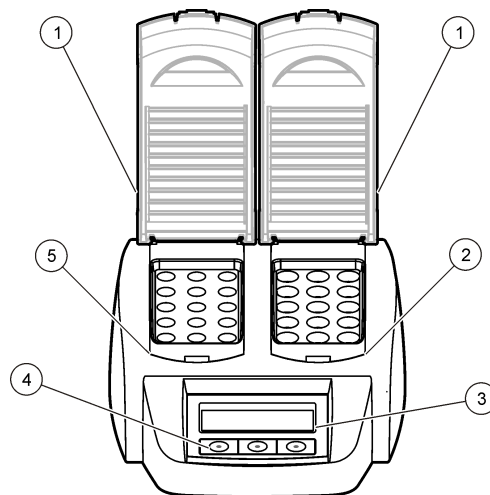
	Tento symbol, pokud je uveden na zařízení, odkazuje na provozní a/nebo bezpečnostní informace uvedené v uživatelské příručce.
	Elektrické zařízení označené tímto symbolem se nesmí likvidovat v evropských systémech domácího nebo veřejného odpadu. Staré nebo vysloužilé zařízení vraťte výrobci k bezplatné likvidaci.
	Tento symbol označuje místo, resp. součást, které by mohly být horké a jichž se je třeba dotýkat se zvýšenou opatrností.
	Tento symbol označuje, že označená položka vyžaduje ochranné uzemnění. Přístroj není dodáván se zemnicí zástrčkou na kabelu, proveďte ochranné zemnicí připojení do ochranného kondukčního terminálu.

## Popis výrobku

Tento přístroj je vybaven jedním nebo dvěma zahřívacími bloky, které zvyšují teplotu roztoků v kulatých vialkách na vzorky na zadanou teplotu po zadanou dobu (Obr. 1).

U modelu LT 200 jsou k dispozici tři uložené programy teploty a šest programů teploty, které nakonfiguruje a uloží uživatel. U modelu DRB 200 je k dispozici šest uložených programů teploty a tři programy teploty, které nakonfiguruje a uloží uživatel.

Obr. 1 Pohled zepředu



1 Ochranný kryt	3 Displej	5 Levý zahřívací blok
2 Pravý zahřívací blok	4 Tlačítka	

## Instalace

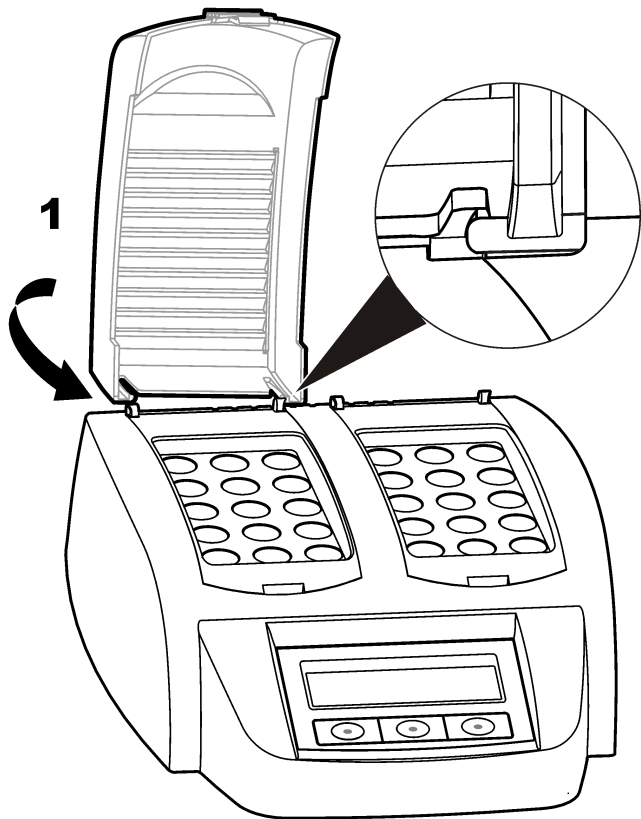
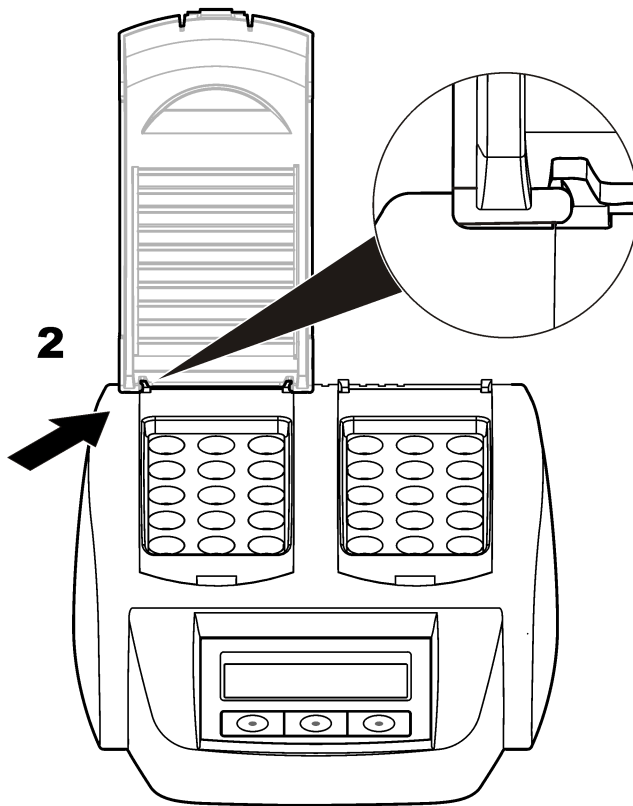
Řiďte se následujícími vyobrazenými kroky.

### Instalace ochranných krytů

#### ▲ VAROVÁNÍ



Riziko šoku a popálení. Ochranný kryt je třeba nainstalovat, aby nedošlo k osobnímu poranění. Zabraňuje popáleninám a kontaktu napájecího kabelu se zahřívacím blokem.

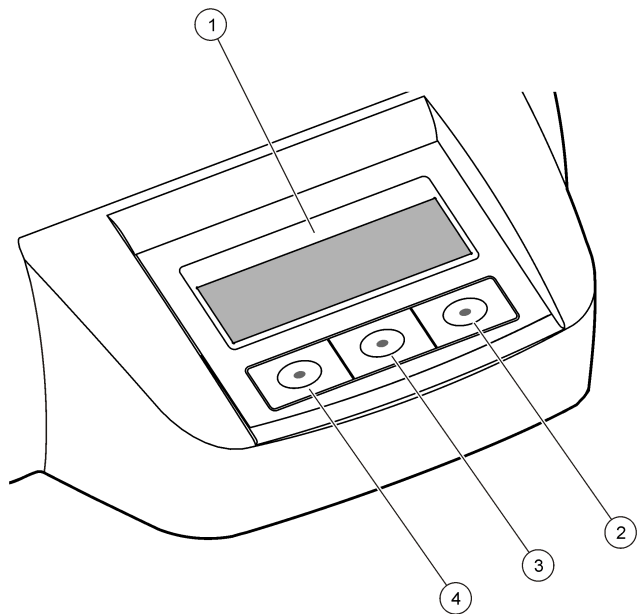
**1****2**

## Uživatelské rozhraní a navigační tlačítka

### Uživatelské rozhraní

Přístroj se ovládá pomocí tří tlačítek umístěných pod displejem (Obr. 2). Na displeji se zobrazuje funkce jednotlivých tlačítek. Pokud se u daného tlačítka nezobrazuje žádná funkce, znamená to, že tlačítko momentálně není aktivní.

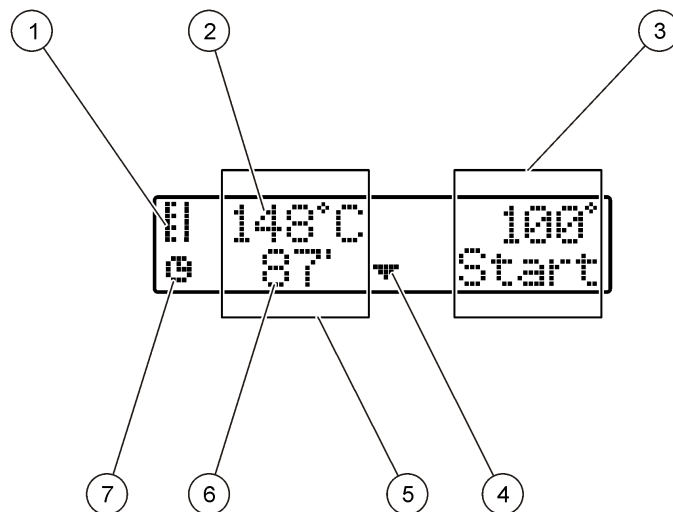
Obr. 2 Popis ovládacího panelu



1 Displej	3 Prostřední tlačítko
2 Pravé tlačítko	4 Levé tlačítko


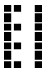

### Popis displeje

Obr. 3 Displej obrazovky, když je program aktivní pouze v levém zahřívacím bloku



1 Symbol teploměru	5 Levý zahřívací blok
2 Teplota zahřívacího bloku	6 Zbývajicí čas
3 Pravý zahřívací blok	7 Symbol časovače
4 Šipka dolů (slouží k výběru programu)	

**Tabulka 1 Symboly teploměru**

Symbol	Popis
	Zahřívací blok zvyšuje teplotu.
	Zahřívací blok je na vybrané teplotě.
	Zahřívací blok snižuje teplotu.

## Spuštění

### Zapnutí přístroje

#### UPOZORNĚNÍ

Přístroj rychle nevypínejte a nezapínejte, protože by mohlo dojít k jeho poškození. Před dalším zapnutím přístroje vždy počkejte přibližně 20 sekund.

1. Přístroj položte na stabilní, rovný povrch odolný proti teplotám.
2. Zapojte napájecí kabel do zástrčky v zadní části přístroje.
3. Zapojte napájecí kabel do zdířky se zemnicím kontaktem.
4. Stisknutím spínače napájení v zadní části přístroje přístroj zapněte. Při prvním zapnutí přístroje se zobrazí obrazovka pro výběr jazyka. Viz [Výběr jazyka](#) na straně 70.

### Výběr jazyka

1. Podržte levé tlačítko a zapněte přístroj.
2. Stisknutím tlačítka se šipkou vpravo procházejte nabídku. Po dosažení konce nabídky se displej vrátí na její začátek.

3. Po zobrazení správného jazyka stiskněte tlačítko pro daný jazyk. Viz [Tabulka 2](#).

**Tabulka 2 Nastavení jazyka**

Nastavení	Jazyk	Nastavení	Jazyk
GB	Angličtina	E	Španělština
D	Němčina	NL	Nizozemština
F	Francouzština	S	Švédština
I	Italština	PL	Polština

### Nastavení kontrastu displeje

1. Podržte prostřední tlačítko a zapněte přístroj.
2. Hodnotu kontrastu měňte stisknutím nebo podržením tlačítka se šipkou nahoru a dolů.
3. Změnu uložte stisknutím tlačítka **OK**.

### Provoz

#### ⚠ NEBEZPEČÍ



Nebezpečí expozice chemikáliím. Dodržujte laboratorní bezpečnostní postupy a noste veškeré osobní ochranné pomůcky vyžadované pro manipulaci s příslušnými chemikáliemi. Viz aktuální datové bezpečnostní listy (MSDS/SDS).

### Rutinní provoz

#### ⚠ POZOR



Riziko popálení. Nevkládejte prsty do žádného otvoru v zahřívacím bloku. Před zvyšováním teploty zahřívacího bloku zavřete ochranný kryt a během provozu vždy dbejte na to, aby byl ochranný kryt zavřený.

### ▲ POZOR



Riziko popálení. Vialky na vzorky jsou horké. Noste tepelně izolační materiál (například rukavice nebo návleky na prsty). Nevýjímajte vialku, která má vyšší teplotu než 80 °C. Do kolorimetru nevklaďteje vialku, která má vyšší teplotu než 80 °C.

### ▲ POZOR



Chemické nebezpečí. Pokud dojde k poškození vialky, dbejte na to, aby nedošlo ke kontaktu tekutiny s pokožkou. Při odstraňování chemických výparů podle potřeby použijte digestoř.

### ▲ POZOR



Nebezpečí expozice chemikáliím. Likvidujte chemikálie a odpad v souladu s místními, regionálními a národními předpisy.

### UPOZORNĚNÍ

Dbete na to, aby byly otvory v tomto zahřívacím bloku suché, aby nedošlo k poškození vialky a přístroje. Zcela vysušte vnější povrch vialek.

### UPOZORNĚNÍ

Pokud dojde k náhodnému vylití nebo poškození vialky, ihned odpojte zdroj napájení, aby se přístroj nepoškodil. Pak přístroj vyčistěte. Viz [Čištění přístroje](#) na straně 73.

### UPOZORNĚNÍ

Nezakrývejte větrací otvory na ochranném krytu. Přístroj a vialky se mohou příliš zahřát a snížit přesnost měření.

1. Připravte vialky se zkušebním vzorkem podle pokynů v postupu pro analýzu.
2. Vialky uzavřete víčkem.
3. Zcela vysušte vnější povrch vialek.
4. Zapněte přístroj a otevřete ochranný kryt. Na displeji se objeví poslední vybraný program teploty.
5. Pokud používáte 16mm zkumavky se zahřívacím blokem s 20mm otvory, vložte do otvorů adaptéry redukce.

6. LT 200: Vložte vialky do správného zahřívacího bloku a zavřete ochranný kryt.
7. Pomocí tlačítek vyberte správný program teploty (a dobu mineralizace, pokud se používá) a pak stiskněte tlačítko **Start** (Spustit). Viz [Uložené programy](#) na straně 71. Pokud jsou k dispozici dva zahřívací bloky, program teploty se vybírá samostatně pro každý z bloků.

**Poznámka:** *Chcete-li program zastavit, dvakrát stiskněte tlačítko pod programem.*

LT 200: Spustí se program mineralizace. Teplota zahřívacího bloku se zvýší na vybranou hodnotu a čas se automaticky odpočítá na nulu (0). Po dokončení programu mineralizace zazní tři zvukové signály a ohřivač se vypne.

DRB 200: Teplota zahřívacího bloku se zvýší na vybranou hodnotu.

8. DRB 200: Když je zahřívací blok na vybrané teplotě (ozvou se dva zvukové signály), vložte připravené vialky do správného zahřívacího bloku a zavřete ochranný kryt. Stisknutím tlačítka **Start** (Spustit) spustíte program mineralizace.  
Po dokončení programu mineralizace zazní tři zvukové signály a ohřivač se vypne.

## Uložené programy

[Tabulka 3](#) uvádí popisy uložených programů teploty pro model LT 200.  
[Tabulka 4](#) uvádí popisy uložených programů teploty pro model DRB 200.

**Tabulka 3 Uložené programy – model LT 200**

Program	Popis
CHSK	Zvýší teplotu vialek na 148 °C po dobu 120 minut. Ve fázi chlazení se ozvou čtyři zvukové signály, když je teplota vialek 80 °C. Vialky vyjměte a opatrně je několikrát převraťte. Teprve poté nechte jejich teplotu klesnout ve stojanu. Program teploty COD lze použít u všech testů se vzorky TOC.
100 °C	Zvýší teplotu vialek na 100 °C po dobu 10, 60 nebo 120 minut. Program teploty „100 °C, 60 minut“ například slouží k provedení následujících akcí: <ul style="list-style-type: none"> <li>• Zjištění fosfátů a chromu</li> <li>• Mineralizace těžkých kovů</li> <li>• Mineralizace vzorků pomocí sady LCW 902 Crack</li> </ul>
40 °C	Zvýší teplotu buněk se vzorky na 40 °C za 10 minut. Program teploty „40 °C, 10 minut“ například slouží pro test formaldehydu nebo enzymatických potravin.

**Tabulka 4 Uložené programy – model DRB 200**

Program	Popis
CHSK	Zvýší teplotu vialek na 150 °C po dobu 120 minut. Ve fázi chlazení se ozvou čtyři zvukové signály, když je teplota vialek 120 °C. Vialky vyjměte a opatrně je několikrát převraťte. Teprve poté nechte jejich teplotu klesnout ve stojanu.
Celkový organický uhlík (TOC)	Zvýší teplotu vialek na 150 °C po dobu 120 minut. Program teploty TOC lze použít u všech vialek Hach určených pro analýzy TOC.
100 °C	Zvýší teplotu vialek na 100 °C po dobu 30, 60 nebo 120 minut. Program teploty „100 °C, 60 minut“ například slouží k provedení následujících akcí: <ul style="list-style-type: none"> <li>• Mineralizace vzorků pomocí přípravné sady kovů</li> <li>• Zjištění fosfátů a chromu</li> <li>• Mineralizace těžkých kovů</li> </ul>

**Tabulka 4 Uložené programy – model DRB 200 (pokračování)**

Program	Popis
105 °C	Zvýší teplotu vialek na 105 °C po dobu 30, 60 nebo 120 minut.
150 °C	Zvýší teplotu vialek na 150 °C po dobu 30, 60 nebo 120 minut.
165 °C	Zvýší teplotu buněk se vzorky na 165 °C po dobu 30, 60 nebo 120 minut.


## Uživatelské programy

Model LT 200 má šest programů teploty, které konfiguruje uživatel (PRG1–PRG6). Model DRB 200 má tři programy teploty, které konfiguruje uživatel (PRG1–PRG3).

Konfigurace uživatelského programu teploty:

1. Pomocí tlačítek vyberte uživatelský program teploty.
2. Stisknutím tlačítka **Prog** přejděte do režimu programování.
3. Vyberte čtyřmístný název programu. Stisknutím levého tlačítka změňte znak. Stisknutím tlačítka se šipkou vpravo přesuňte kurzor na další pozici. Změnu uložte stisknutím tlačítka **OK**.
4. Stisknutím nebo podržením tlačítka se šipkou nahoru nebo dolů nastavte teplotu (37 až 150 °C). Změnu uložte stisknutím tlačítka **OK**.
5. Stisknutím nebo podržením tlačítka se šipkou nahoru nebo dolů nastavte čas (0 až 480 minut). Změnu uložte stisknutím tlačítka **OK**.
6. Stisknutím tlačítka **OK** program uložte.

## Údržba

▲ POZOR	
	Různá nebezpečí. Práce uvedené v tomto oddíle dokumentu smí provádět pouze dostatečně kvalifikovaný personál.



## UPOZORNĚNÍ

Při údržbě nerozebírejte přístroj. Pokud je nutné vyčistit nebo opravit vnitřní součásti, obraťte se na výrobce.

### Čištění přístroje

Udržujte přístroj čistý, aby byl zajištěn nepřetržitý a správný provoz.

#### ▲ POZOR



Nebezpečí požáru. K čištění přístroje nepoužívejte hořlavé látky.

#### ▲ POZOR



Riziko popálení. Přístroj nečistěte, když je horký.

## UPOZORNĚNÍ

K čištění přístroje včetně displeje nepoužívejte látky, jako je terpentýn, aceton nebo podobné produkty, aby nedošlo k poškození přístroje.

1. Přístroj vypněte a odpojte napájecí kabel od zdroje napájení.
2. Když je přístroj chladný, vyčistěte jeho povrch jemným navlhčeným hadříkem a slabým mýdlovým roztokem. Dbejte na to, aby do přístroje nevnikla voda.

Pokud dojde k vylití tekutiny do vialky nebo k prasknutí vialky, postupujte takto:

1. Přístroj vypněte a odpojte napájecí kabel od zdroje napájení.
2. Nechte klesat teplotu zahřívacích bloků a vialek, dokud nevyhladnou.
3. Tekutinu odstraňte pipetou. Zabraňte styku tekutiny s pokožkou.
4. Tekutinu odpovídajícím způsobem zlikvidujte.
5. Rozbité sklo odeberte pinzetou. Odstraňte jakoukoli zbývající tekutinu z přístroje. Zabraňte styku tekutiny s pokožkou.

### Měření teploty zahřívacího bloku

Změřením teploty zahřívacího bloku se ujistěte, zda je teplota uvedená na displeji správná.

Teplota uvedená na displeji představuje teplotu v uzavřené vialce, která je naplněna tekutinou. Když se teplota zahřívacího bloku zvyšuje, teplota zahřívacího bloku poblíž topného tělíska může být vyšší než teplota uvedená na displeji.

Potřebné nástroje:

- Vialka (LT 200: LCW906, DRB 200: 2275800)
- Glycerol (bezwodý), 5 ml
- Teploměr, tyčinkový, kalibrováný pro 95 až 155 °C, typ 67C podle ASTM

Postup pro měření teploty zahřívacího bloku:

1. Naplňte čistou prázdnou vialku glycerolem, který má pokojovou teplotu.
2. Teploměr vkládejte do vialky, dokud se nedotkne jejího dna.
3. LT 200: Hladina glycerolu musí být 62 mm ± 0,5 mm ode dna vialky, když je v ní vložený teploměr.
4. DRB 200: Hladina glycerolu musí být 56 mm ± 0,5 mm ode dna vialky, když je v ní vložený teploměr.
5. Vialku vložte do středního otvoru druhé řady zahřívacího bloku.
6. Pomocí tlačítek spusťte program teploty 100 °C na 60 minut. Potom stiskněte tlačítko **OK**.
7. Pokud je zahřívací blok na vybrané teplotě (zazní dvě pípnutí), měla by být teplota na teploměru stejná jako teplota zobrazená na displeji.

### Poruchy, jejich příčiny a odstraňování

Chybové zprávy, možné příčiny a opravné akce uvádí [Tabulka 5](#).

**Tabulka 5 Hlášení o poruchách**

Porucha	Roztok
BLOCK IS TOO HOT! PLEASE WAIT (BLOK JE PŘÍLIŠ HORKÝ! POČKEJTE PROSÍM)	Teplota zahřívacího bloku je vyšší než vybraná teplota. Počkejte, až teplota zahřívacího bloku poklesne.
INIT ERROR (VNITŘNÍ CHYBA)	Přístroj je vadný. Obratě se na zákaznický servis.

## Náhradní díly a příslušenství

### ⚠ VAROVÁNÍ



Nebezpečí poranění osob. Použití neschválených součástí může způsobit poranění osob, poškození nebo nesprávné fungování přístroje či vybavení. Náhradní díly v tomto oddíle jsou schváleny výrobcem.

*Poznámka: Čísla produktů a položek se mohou v různých regionech prodeje lišit. Pokud potřebujete kontaktní informace, obraťte se na příslušného dodavatele nebo se podívejte na webové stránky společnosti.*

### Náhradní díly

Popis	Množství	Položka č.
Ochranný kryt	1	LZT048

### Příslušenství – DRB 200

Popis	Množství	Položka č.
Adaptér redukce, 20 > 16 mm	1	HHA155
Adaptér redukce, 16 > 13 mm	1	2895805
Zkumavka, 16 × 100 mm	1	2275800
Zkumavka, 16 × 100 mm	6	2275806
Teploměr, 0 až 200 °C	1	4565500

## Indholdsfortegnelse

[Specifikationer](#) på side 75

[Generelle oplysninger](#) på side 75

[Installation](#) på side 77

[Brugergrænseflade og navigation](#)  
på side 79

[Startup \(Opstart\)](#) på side 80

[Betjening](#) på side 80

[Vedligeholdelse](#) på side 82

[Fejlsøgning](#) på side 83

[Reserve dele og tilbehør](#) på side 84

## Specifikationer

Specifikationerne kan ændres uden varsel.

Specifikation	Detaljer
Dimensioner	25 x 14,5 x 31 cm (9,8 x 5,7 x 12,2")
Vægt	Enkelt varmeblok: 2 kg (4,4 lb) Dobbelt varmeblok: 2,8 kg (6,17 lb)
Strømkrav	100–240 V, +5 %/–15 %, 50/60 Hz, beskyttelsesklasse I
Indgangseffekt	Enkelt varmeblok: 115 V: 300 VA, 230 V: 450 VA Dobbelt varmeblok: 115 V: 600 VA, 230 V: 900 VA
Opbevaringstemperatur	-40 til +60 °C (-40 til +140 °F)
Driftstemperatur	10 til 45 °C (50 til 113 °F)
Luffugtighed, drift	90% (uden kondensering)
Temperaturområde	LT 200: 37 til 150 °C (98,6 til 302 °F) DRB 200: 37 til 165 °C (98,6 til 329 °F)
	Timer: 0 til 480 minutter
Temperaturstabilitet	LT 200: ± 1 °C (± 2 °F) DRB 200: ± 2 °C (± 3,5 °F)

Specifikation	Detaljer
Opvarmningshastighed	LT 200: Fra 20 til 148 °C (68 til 298 °F) på 10 min (til DIN 38409-44) DRB 200: Fra 20 til 150 °C (68 til 302 °F) på 10 minutter
Certificering	CE og cTUVus

## Generelle oplysninger

Producenten kan under ingen omstændigheder holdes ansvarlig for direkte, indirekte, specielle, hændelige eller følgeskader der opstår på baggrund af en defekt eller udeladelse i denne vejledning. Producenten forbeholder sig ret til når som helst at foretage ændringer i denne manual og de beskrevne produkter uden varsel eller forpligtelser. Reviderede udgaver kan findes på producentens webside.

## Oplysninger vedr. sikkerhed

### BEMÆRKNING

Producenten er ikke ansvarlig for eventuelle skader på grund af forkert anvendelse eller misbrug af dette produkt, herunder uden begrænsning direkte skader, hændelige skader eller følgeskader, og fraskriver sig ansvaret for sådanne skader i det fulde omfang, som tillades ifølge gældende lov. Kun brugeren er ansvarlig for at identificere alvorlige risici ved anvendelsen og installere relevante mekanismer til beskyttelse af processerne i forbindelse med en eventuel fejl på udstyret.

Læs hele manualen, inden udpakning, installation eller betjening af dette udstyr. Overhold alle farehenvisninger og advarsler. Undladelse heraf kan medføre, at brugeren kommer alvorligt til skade eller beskadigelse af apparatet.

Kontroller, at den beskyttelse, som dette udstyr giver, ikke forringes. Du må ikke bruge eller installere dette udstyr på nogen anden måde end den, der er angivet i denne manual.

## Brug af sikkerhedsoplysninger

### ▲ FARE

Angiver en eventuel eller overhængende farlig situation, der vil medføre dødsfald eller alvorlige kvæstelser, hvis den ikke undgås.

### ▲ ADVARSEL

Angiver en potentiel eller umiddelbart farlig situation, som kan resultere i død eller alvorlig tilskadekomst, hvis den ikke undgås.

### ▲ FORSIGTIG



Indikerer en potentiel farlig situation, der kan resultere i mindre eller moderat tilskadekomst.



### BEMÆRKNING

Angiver en situation, der kan medføre skade på instrumentet, hvis ikke den undgås. Oplysninger, der er særligt vigtige.

## Sikkerhedsmærkater

Læs alle skilte og mærkater, som er placeret på apparatet. Der kan opstå person- eller instrumentskade, hvis forholdsreglerne ikke respekteres. Hvis der er placeret et symbol på apparatet, kan det findes i brugermanualen sammen med fare- eller forsigtighedsanvisningerne.

	Hvis dette symbol findes på instrumentet, henviser det til instruktionsmanualen vedrørende drifts- og/eller sikkerhedsoplysninger.
	Elektrisk udstyr mærket med dette symbol må, i Europa, ikke bortskaffes i sammen med husholdningsaffald eller offentligt affald. Returner gammelt eller udtjent udstyr til producenten til bortskaffelse uden gebyr.

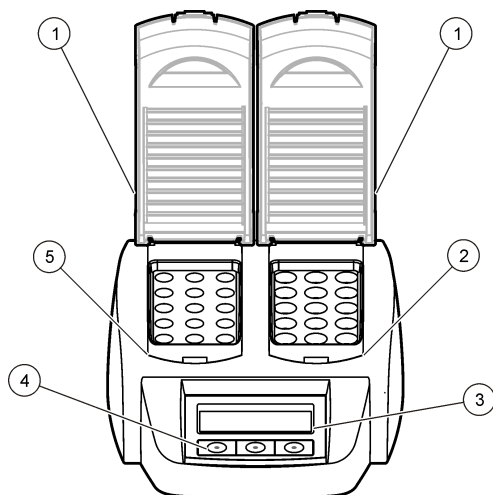
	Dette symbol angiver, at den afmærkede del kan være varm og skal berøres med forsigtighed.
	Dette symbol angiver, at der kræves en beskyttende jordforbindelse til det markerede element. Hvis instrumentet ikke er udstyret med et jordstik på en ledning, skal der laves en beskyttende jordforbindelse til beskyttelseslederterminalen.

## Produktoversigt

Instrumentet har én eller to varmeblokke, der hæver temperaturen i opløsninger i runde prøveceller til en angivet temperatur i en angivet tidsperiode (Figur 1).

LT 200 har tre lagrede temperaturprogrammer og seks temperaturprogrammer, der er konfigureret af brugeren og gemt. DRB 200 har seks lagrede temperaturprogrammer og tre temperaturprogrammer, der er konfigureret af brugeren og gemt.

Figur 1 Set forfra



## Installation

### Monter beskyttelseslågene

#### ⚠ ADVARSEL

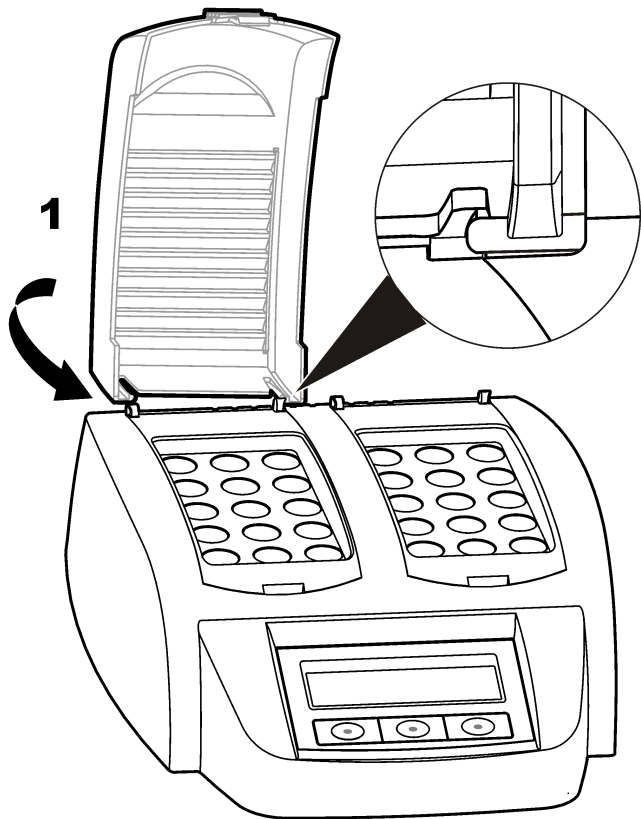


Fare for stød eller brandsår. Beskyttelseslåget skal være monteret for at forhindre personskade. Beskyttelseslåget beskytter mod brandsår og forhindrer, at strømledningen kommer i kontakt med varmeblokken.

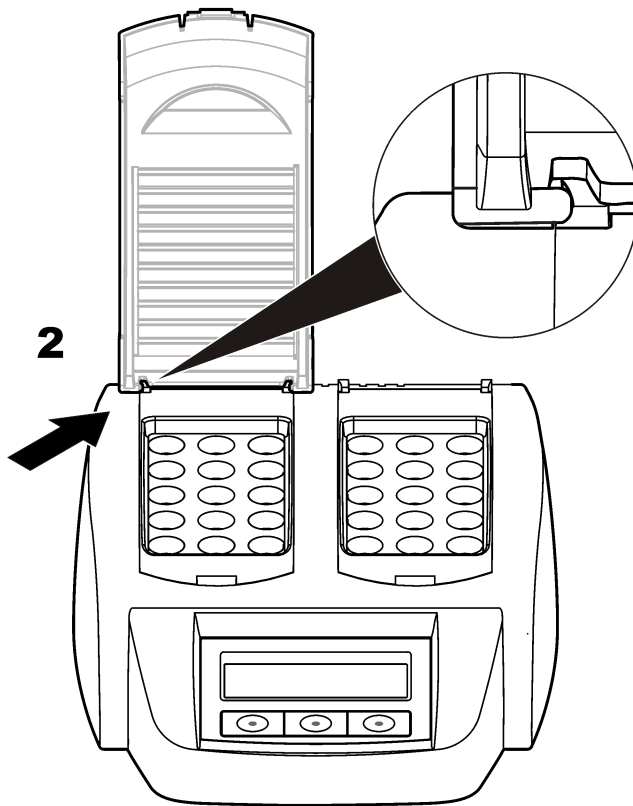
Se de efterfølgende illustrerede trin.

1 Beskyttelsesdæksel	3 Trykfølsom skærm	5 Venstre varmeblok
2 Højre varmeblok	4 Taster	

1



2

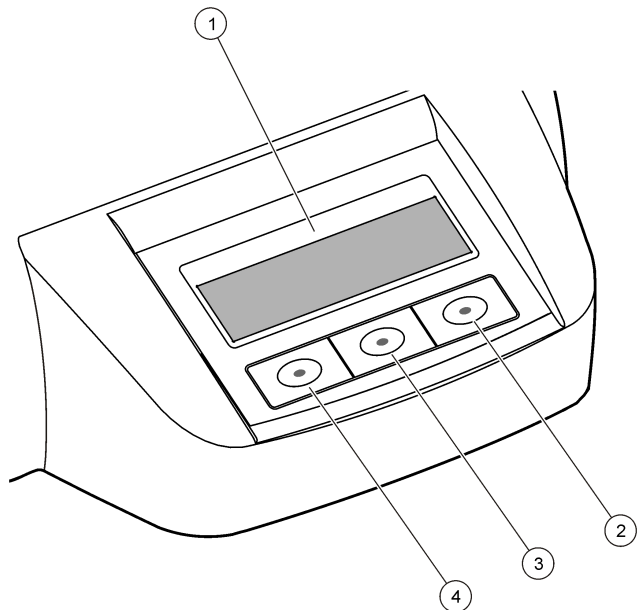


## Brugergrænseflade og navigation

### Brugerflade

Instrumentet styres ved hjælp af tre taster, der er placeret under skærmen (Figur 2). Funktionen af hver tast er vist på skærmen. Hvis der ikke vises nogen funktion for en tast, er tasten ikke aktiv i øjeblikket.

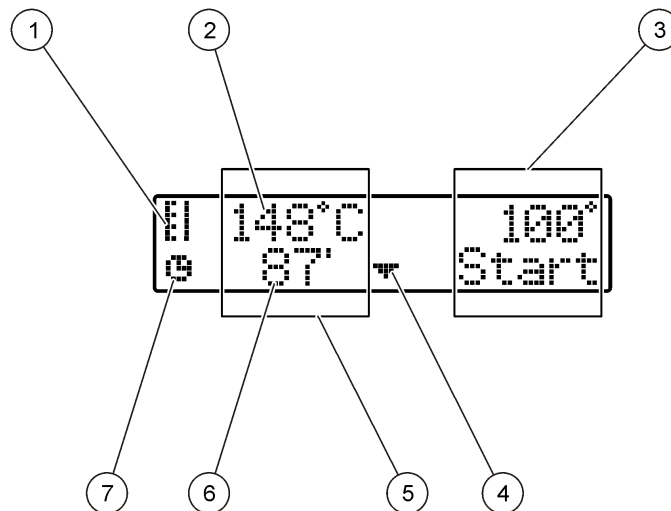
Figur 2 Beskrivelse af tastatur



1 Skærm	3 Midterste tast
2 Højre tast	4 Venstre tast


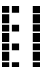

## Skærmbeskrivelse

Figur 3 Skærmvisning, når et program kun er aktivt på den venstre varmeblok



1 Termometersymbol	5 Venstre varmeblok
2 Temperatur i varmeblok	6 Resterende tid
3 Højre varmeblok	7 Timersymbol
4 Pil ned (bruges til at vælge program)	

**Tabel 1 Termometersymboler**

Symbol	Beskrivelse
	Varmeblokkens temperatur stiger.
	Varmeblokken har nået den valgte temperatur.
	Varmeblokkens temperatur falder.

## Startup (Opstart)

### Tænd instrumentet

#### BEMÆRKNING

Tænd og sluk ikke instrumentet hurtigt, da det kan skade instrumentet. Vent altid ca. 20 sekunder, inden du tænder instrumentet igen.

1. Sæt instrumentet på en stabil, plan og varmebestandig overflade.
2. Slut netledningen til strømstikket på bagsiden af instrumentet.
3. Slut netledningen til et strømstik med jord.
4. Tryk på tænd/sluk-knappen på instrumentets bagside for at tænde for instrumentet.

Første gang instrumentet tændes, vises skærbilledet til valg af sprog. Se [Vælg sproget](#) på side 80.

### Vælg sproget

1. Hold den venstre tast ned, og tænd instrumentet.
2. Tryk på den højre piletast for at rulle gennem menuen. Skærbilledet går tilbage til starten af menuen ved slutningen af menuen.

3. Tryk på tasten for sproget, når det korrekte sprog vises. Se [Tabel 2](#).

**Tabel 2 Sprogindstillinger**

Indstilling	Sprog	Indstilling	Sprog
GB	Engelsk	E	Spansk
D	Tysk	NL	Hollandsk
F	Fransk	S	Svensk
I	Italiensk	PL	Polsk

### Indstil skærkontrasten

1. Hold den midterste tast nede, og tænd instrumentet.
2. Tryk på pil op- og pil ned-tasterne, og hold dem nede for at ændre kontrastværdien.
3. Tryk på **OK** for at gemme ændringen.

### Betjening

#### ▲ FARE



Fare for eksponering for kemiske stoffer. Overhold laboratoriets sikkerhedsprocedurer, og bær alt det personlige beskyttelsesudstyr, der er nødvendigt for at beskytte dig mod de kemikalier, du bruger. Se de aktuelle sikkerhedsdataark (MSDS/SDS) for sikkerhedsprotokoller.

### Rutineoperation

#### ▲ FORSIGTIG



Brændsårfare. Anbring ikke en finger i en åbning på varmeblokken. Luk beskyttelseslåget, før temperaturen i varmeblokken forøges, og hold altid beskyttelseslåget lukket under drift.



### ▲ FORSIGTIG



Brændsårfare. Prøveceller er varme. Brug varmeisolerende materialer (f.eks. handsker eller fingertutter). Fjern ikke en prøvecelle, der er varmere end 80 °C. Sæt ikke en prøvecelle, der er varmere end 80 °C i et kolorimeter.

### ▲ FORSIGTIG



Kemisk fare. Hvis en prøvecelle går i stykker, skal du sørge for ikke at få væske på huden. Brug et aftræksskab om nødvendigt for at fjerne kemiske dampe.

### ▲ FORSIGTIG



Fare for eksponering for kemiske stoffer. Bortskaf kemikalier og affald i overensstemmelse med lokale, regionale og nationale bestemmelser.

### BEMÆRKNING

Åbningerne på varmeblokken skal holdes tørre for at forhindre, at prøvecellen og instrumentet beskadiges. Tør ydersiden af prøvecellerne helt af.

### BEMÆRKNING

Hvis der spildes ved et uheld, eller hvis en prøvecelle går i stykker, skal netledningen straks fjernes for at forhindre, at instrumentet beskadiges, og derefter skal instrumentet renses. Se [Rengør instrumentet](#) på side 83.

### BEMÆRKNING

Tildæk ikke ventilationssprækkerne i beskyttelseslåget. Instrumentet og prøvecellerne bliver muligvis for varme, og det nedsætter målingens nøjagtighed.

1. Klargør prøvecellerne som beskrevet i analyseproceduren.
2. Luk prøvecellerne med hættten.
3. Tør ydersiden af prøvecellerne helt af.
4. Tænd for instrumentet, og åbn beskyttelseslåget. Det eller de senest valgte temperaturprogram(mer) vises på skærmen.
5. Hvis der bruges 16 mm rør til en varmeblok med 20 mm åbninger, skal der anbringes reduktionsadaptore i åbningerne.

6. LT 200: Sæt prøvecellerne i den korrekte varmeblok, og luk beskyttelsesdækslet.
7. Vælg det korrekte temperaturprogram (og digestionsperiode, hvis det er relevant) vha. tasterne, og tryk derefter på **Start**. Se [Gemte programmer](#) på side 81. Temperaturprogrammet vælges uafhængigt for hver varmeblok, når der er to varmeblokke.

**BEMÆRK:** Tryk to gange på tasten nedenfor programmet for at stoppe et program.

LT 200: Digestionsprogrammet starter. Temperaturen i varmeblokken forøges til den valgte temperatur, og timeren tæller derefter automatisk ned til nul (0). Når digestionsprogrammet er færdiginstalleret, høres tre bip, og varmeapparatet slukker.

DRB 200: Temperaturen på varmeblokken stiger til den valgte temperatur.

8. DRB 200: Når varmeblokken når den valgte temperatur (der høres to bip), anbringes prøvecellerne i den korrekte varmeblok og beskyttelsesdækslet lukkes. Tryk på **Start** for at starte digestionsprogrammet.

Når digestionsprogrammet er færdiginstalleret, høres tre bip, og varmeapparatet slukker.

## Gemte programmer

[Tabel 3](#) leverer beskrivelser af de lagrede temperaturprogrammer til LT 200. [Tabel 4](#) leverer beskrivelser af de lagrede temperaturprogrammer til DRB 200.

**Tabel 3 Lagrede programmer – LT 200**

Program	Beskrivelse
COD	Forøger temperaturen for prøvecellerne til 148 °C i 120 minutter. I afkølingsfasen høres der fire bip, når prøvecellerne er 80 °C. Fjern, og vend omhyggeligt prøvecellerne om flere gange, før de får lov til at køle af i et rack. COD-temperaturprogrammet kan bruges til alle COD-prøvecellestest.
100 °C	Forøger temperaturen i prøvecellerne til 100 °C i 10, 60 eller 120 minutter. Temperaturprogrammet "100 °C, 60 minutter" bruges f.eks. til: <ul style="list-style-type: none"> <li>• Identificering af fosfat og chrom</li> <li>• Opløsning af tungmetaller</li> <li>• Opløsning af prøver ved hjælp af LCW 902 Crack-sættet</li> </ul>
40 °C	Forøger temperaturen for prøvecellerne til 40 °C i 10 minutter. Temperaturprogrammet "40 °C, 10 minutter" bruges f.eks. til formaldehydtest eller enzymatiske fødevarerest.

**Tabel 4 Gemte programmer – DRB 200**

Program	Beskrivelse
COD	Forøger temperaturen for prøvecellerne til 150 °C i 120 minutter. I afkølingsfasen høres der fire bip, når prøvecellerne er 120 °C. Fjern, og vend omhyggeligt prøvecellerne om flere gange, før de får lov til at køle af i et rack.
TOC	Forøger temperaturen for prøvecellerne til 105 °C i 120 minutter. TOC-temperaturprogrammet kan bruges til alle Hach TOC-prøvecellestest.
100 °C	Forøger temperaturen i prøvecellerne til 100 °C i 30, 60 eller 120 minutter. Temperaturprogrammet "100 °C, 60 minutter" bruges f.eks. til: <ul style="list-style-type: none"> <li>• Opløsning af prøver ved hjælp af Metals Prep-sættet</li> <li>• Identificering af fosfat og chrom</li> <li>• Opløsning af tungmetaller</li> </ul>

**Tabel 4 Gemte programmer – DRB 200 (fortsat)**

Program	Beskrivelse
105 °C	Forøger temperaturen i prøvecellerne til 105 °C i 30, 60 eller 120 minutter.
150 °C	Forøger temperaturen i prøvecellerne til 150 °C i 30, 60 eller 120 minutter.
165 °C	Forøger temperaturen i prøvecellerne til 165 °C i 30, 60 eller 120 minutter.

## Brugerprogrammer

LT 200 har seks temperaturprogrammer, der er konfigureret af brugeren (PRG1–PRG6). DRB 200 har tre temperaturprogrammer, der er konfigureret af brugeren (PRG1–PRG3).

Sådan konfigureres et brugertemperaturprogram:

1. Vælg et brugertemperaturprogram ved hjælp af tasterne.
2. Tryk på **Prog** for at åbne programmeringstilstand.
3. Vælg et navn på 4 tegn til programmet. Tryk på venstre tast for at ændre tegnet. Tryk på højre piletast for at flytte markøren til næste position. Tryk på **OK** for at gemme ændringen.
4. Tryk på pil op- og pil ned-tasterne, og hold dem nede, for at indstille temperaturen (37 til 150 °C). Tryk på **OK** for at gemme ændringen.
5. Tryk på pil op- og pil ned-tasterne, og hold dem nede, for at indstille tiden (0 til 480 minutter). Tryk på **OK** for at gemme ændringen.
6. Tryk på **OK** for at gemme programmet.

## Vedligeholdelse

<b>▲ FORSIGTIG</b>	
	Flere risici. Kun kvalificeret personale må udføre de opgaver, som er beskrevet i dette afsnit i dokumentet.

## BEMÆRKNING

Du må ikke skille instrumentet ad ved vedligeholdelse. Kontakt producenten, hvis de interne komponenter skal rengøres eller repareres.

## Rengør instrumentet

Hold instrumentet rent for at få en kontinuerlig og præcis funktion.

### ⚠ FORSIGTIG



Risiko for brand. Brug ikke brændbare stoffer til at rengøre instrumentet.

### ⚠ FORSIGTIG



Brandsårsfare. Rens ikke instrumentet, når det er varmt.

## BEMÆRKNING

Brug ikke rengøringsmidler, f.eks. terpentin, acetone eller lignende produkter, til at rengøre instrumentet, herunder skærmen, for at undgå at beskadige instrumentet.

1. Sluk for instrumentet, og tag netledningen ud.
2. Når instrumentet er kølet af, skal instrumentets overflade rengøres med en blød, fugtig klud og en mild sæbeopløsning. Pas på, at der ikke kommer vand ind i instrumentet.

Hvis væsken i en prøvecelle løber over, eller der går hul på en prøvecelle:

1. Sluk for instrumentet, og tag netledningen ud.
2. Lad temperaturen i varmeblokken(e) og prøvecellerne falde, så enhederne er kølige.
3. Fjern væsken med en pipette. Væsken må ikke berøre huden.
4. Flyt væsken til det korrekte bortskaffelsessted.
5. Fjern ituslået glas med pincet. Fjern eventuel overskydende væske på instrumentet. Væsken må ikke berøre huden.

## Mål temperaturen på varmeblokken

Mål temperaturen på varmeblokken for at sikre, at temperaturen på skærmen er korrekt.

Den temperatur, som vises på skærmen, er temperaturen i en lukket prøvecelle, der er fyldt med en væske. Når temperaturen i varmeblokken stiger, er temperaturen i varmeblokken i nærheden af varmeenheden muligvis større end den temperatur, der vises på skærmen.

Nødvendige værktøjer:

- Prøvecelle (LT 200: LCW906, DRB 200: 2275800)
- Glycerol (vandfri), 5 ml
- Termometer, stilktype, kalibreret til 95 til 155 °C (203 til 311 °F), type 67C til ASTM

Sådan måles temperaturen på varmeblokken:

1. Fyld en ren, tom prøvecelle med glycerol, der har rumtemperatur.
2. Stik termometeret ned i prøvecellen, indtil det rører bunden af prøvecellen.
3. LT 200: Kontrollér, at niveauet i glycerolen er 62 mm ± 0,5 mm (2,44" ± 0,02") fra bunden af prøvecellen, når termometeret er i prøvecellen.
4. DRB 200: Kontrollér, at niveauet i glycerolen er 56 mm ± 0,5 mm (2,20" ± 0,02") fra bunden af prøvecellen, når termometeret er i prøvecellen.
5. Anbring prøvecellen i midteråbningen af den anden række i varmeblokken.
6. Start et temperaturprogram på 100 °C i 60 minutter ved hjælp af tasterne, og tryk derefter på **OK**.
7. Når varmeblokken når den valgte temperatur (der høres to bip), skal termometertemperaturen være den samme som den temperatur, der vises på skærmen.

## Fejlsøgning

Se [Tabel 5](#) for at få oplysninger om fejlmeddelelser, mulige årsager og korrigerende handlinger.

**Tabel 5 Fejlmeddelelser**

Fejl	Opløsning
BLOCK IS TOO HOT! (BLOK ER FOR VARM!) PLEASE WAIT (VENT)	Temperaturen i varmeblokken er større end den valgte temperatur. Vent, indtil temperaturen i varmeblokken falder.
INIT ERROR (INIT-FEJL)	Instrumentet er defekt. Kontakt kundeservice.

## Reserve dele og tilbehør

### ▲ ADVARSEL



Fare for personskade. Anvendelse af ikke-godkendte dele kan medføre personskade, beskadigelse af instrumentet eller fejlfunktion af udstyret. Reservedelene i dette afsnit er godkendt af producenten.

**BEMÆRK:** Produkt- og varenumre kan variere i visse salgsregioner. Kontakt den relevante distributør, eller se virksomhedens webside for kontaktinformation.

### Reserve dele

Beskrivelse	Mængde	Varenr.
Beskyttelsesdæksel	1	LZT048

### Tilbehør-DRB 200

Beskrivelse	Mængde	Varenr.
Reduktionsadapter, 20 > 16 mm	1	HHA155
Reduktionsadapter, 16 > 13 mm	1	2895805
Rør, 16 x 100 mm	1	2275800
Rør, 16 x 100 mm	6	2275806
Termometer, 0 til 200 °C	1	4565500

## Inhoudsopgave

[Specificaties](#) op pagina 85

[Bedrijf](#) op pagina 91

[Algemene informatie](#) op pagina 85

[Onderhoud](#) op pagina 93

[Installatie](#) op pagina 87

[Problemen oplossen](#) op pagina 94

[Gebruikersinterface en navigatie](#)  
op pagina 89

[Reserve onderdelen](#) op pagina 94

[Opstarten](#) op pagina 90

## Specificaties

Specificaties kunnen zonder kennisgeving vooraf worden gewijzigd.

Specificatie	Details
Afmetingen	25 x 14,5 x 31 cm (9,8 x 5,7 x 12,2 inch)
Gewicht	Enkel verwarmingsblok: 2 kg (4,4 lb) Dubbel verwarmingsblok: 2,8 kg (6,17 lb)
Stroomvereisten	100–240 Vac, +5%/–15%, 50/60 Hz, beschermingsklasse I
Opgenomen vermogen	Enkel verwarmingsblok: 115 Vac: 300 VA; 230 Vac: 450 VA Dubbel verwarmingsblok: 115 Vac: 600 VA; 230 Vac: 900 VA
Opslagtemperatuur	–40 tot +60 °C (–40 tot +140 °F)
Bedrijfstemperatuur	10 tot 45 °C (50 tot 113 °F)
Luchtvochtigheid gebruik	90% (niet-condenserend)
Temperatuurbereik	LT 200: 37 tot 150 °C (98,6 tot 302 °F) DRB 200: 37 tot 165 °C (98,6 tot 329 °F)
	Timer: 0 tot 480 minuten

Specificatie	Details
Nauwkeurigheid temperatuur	LT 200: ± 1 °C (± 2 °F) DRB 200: ± 2 °C (± 3,5 °F)
Opwarmingsnelheid	LT 200: Van 20 tot 148 °C (68 tot 298 °F) in 10 min (volgens DIN 38409-44) DRB 200: Van 20 tot 150 °C (68 tot 302 °F) in 10 minuten
Certificering	CE en cTUVus

## Algemene informatie

De fabrikant kan onder geen enkele omstandigheid aansprakelijk worden gesteld voor directe, indirecte, speciale, incidentele of continue schade die als gevolg van enig defect of onvolledigheid in deze handleiding is ontstaan. De fabrikant behoudt het recht om op elk moment, zonder verdere melding of verplichtingen, in deze handleiding en de producten die daarin worden beschreven, wijzigingen door te voeren. Gewijzigde versies zijn beschikbaar op de website van de fabrikant.

## Veiligheidsinformatie

### LET OP

De fabrikant is niet verantwoordelijk voor enige schade door onjuist toepassen of onjuist gebruik van dit product met inbegrip van, zonder beperking, directe, incidentele en gevolgschade, en vrijwaart zich volledig voor dergelijke schade voor zover dit wettelijk is toegestaan. Uitsluitend de gebruiker is verantwoordelijk voor het identificeren van kritische toepassingsrisico's en het installeren van de juiste mechanismen om processen te beschermen bij een mogelijk onjuist functioneren van apparatuur.

Lees deze handleiding voor het uitpakken, installeren of gebruiken van het instrument. Let op alle waarschuwingen. Wanneer u dit niet doet, kan dit leiden tot ernstig persoonlijk letsel of schade aan het instrument. Controleer voor gebruik of het instrument niet beschadigd is. Het instrument mag op geen andere wijze gebruikt worden dan als in deze handleiding beschreven.

## Gebruik van gevareninformatie

### ⚠ GEVAAR

Geeft een potentieel gevaarlijke of dreigende situatie aan die, als deze niet kan worden voorkomen, kan resulteren in dodelijk of ernstig letsel.

### ⚠ WAARSCHUWING

Geeft een potentieel of op handen zijnde gevaarlijke situatie aan, die als deze niet wordt vermeden, kan leiden tot dood of ernstig letsel.

### ⚠ VOORZICHTIG



Geeft een mogelijk gevaarlijke situatie aan die kan resulteren in minder ernstig letsel of lichte verwondingen.



### LET OP

Duidt een situatie aan die (indien niet wordt voorkomen) kan resulteren in beschadiging van het apparaat. Informatie die speciaal moet worden benadrukt.

## Waarschuwinglabels

Lees alle labels en etiketten die op het instrument zijn bevestigd. Het niet naleven van deze waarschuwingen kan leiden tot letsel of beschadiging van het instrument. Voor elk symbool, is aanvullende informatie te vinden in de handleiding.

	Dit symbool, indien op het instrument aangegeven, verwijst naar de handleiding voor bediening en/of veiligheidsinformatie.
	Elektrische apparatuur gemarkeerd met dit symbool mag niet worden afgevoerd via Europese systemen voor afvoer van huishoudelijk of openbaar afval. Oude apparatuur of apparatuur aan het einde van zijn levensduur kan naar de fabrikant worden geretourneerd voor kosteloze verwerking.

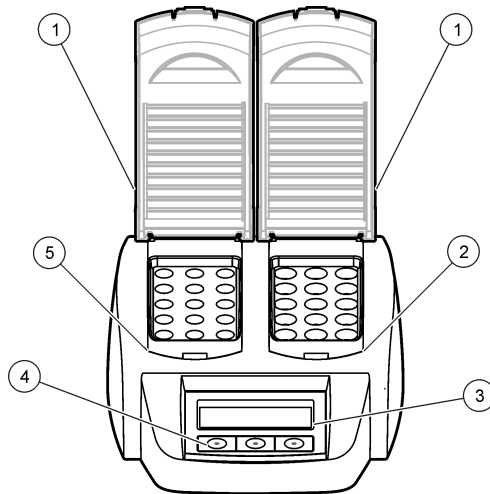
	Het onderdeel waarop dit pictogram aangebracht is kan mogelijk heet zijn en dient niet aangeraakt te worden.
	Dit symbool geeft aan dat het instrument op een geaard stopcontact dient te worden aangesloten. Als het instrument zonder aardingsstekker met snoer wordt geleverd, moet het instrument worden geaard op de aansluiting voor de veiligheidsaarddraad.

## Productoverzicht

Dit apparaat is uitgerust met een of twee verwarmingsblokken waarmee de oplossingen in ronde monsterkuvetten gedurende een bepaalde tijd worden verwarmd tot een gekozen temperatuur ([Afbeelding 1](#)).

De LT 200 heeft drie temperatuurprogramma's in het apparaat opgeslagen en de gebruiker kan tot zes temperatuurprogramma's configureren en opslaan. De DRB 200 heeft zes temperatuurprogramma's in het apparaat opgeslagen en de gebruiker kan zelf drie temperatuurprogramma's configureren en opslaan.

Afbeelding 1 Vooraanzicht



## Installatie

### De beschermkappen aanbrengen

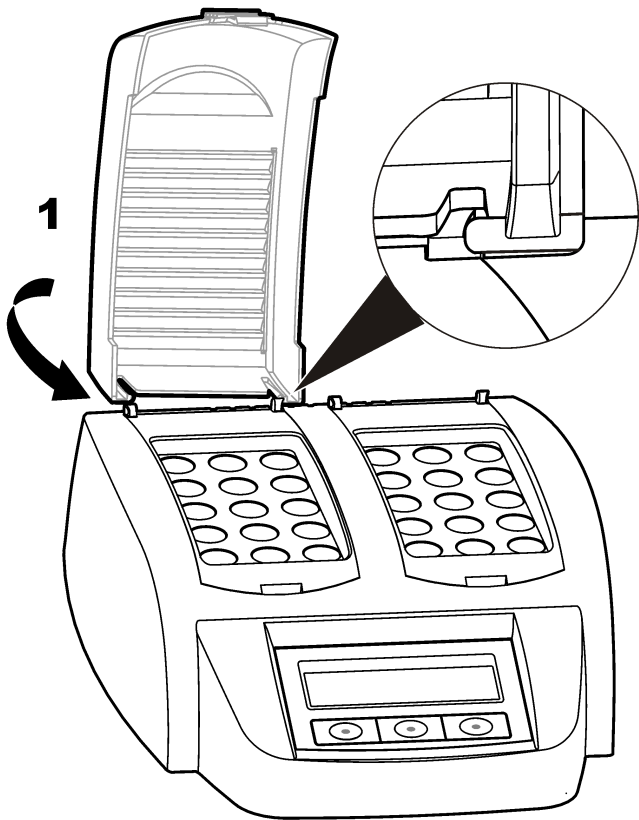
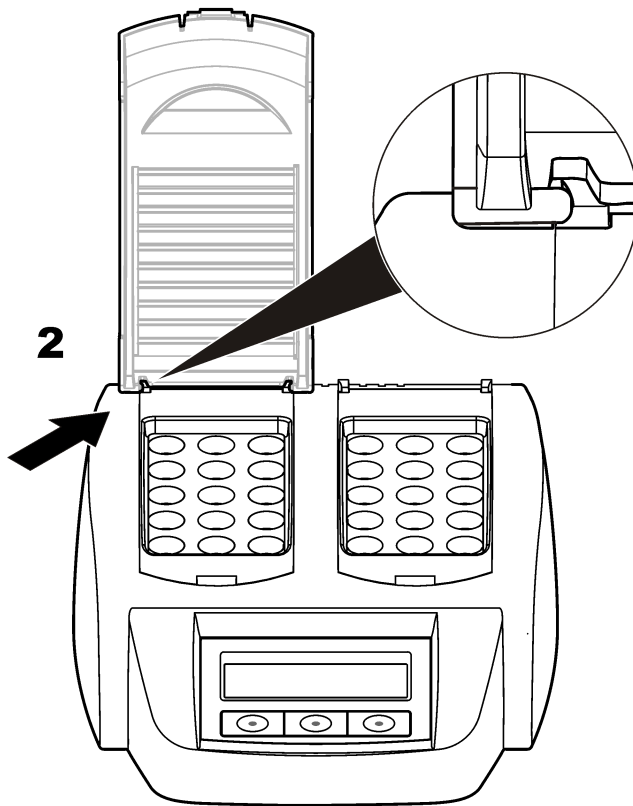
#### ⚠ WAARSCHUWING



Gevaar van elektrische schokken en brandwonden. De beschermkap moet worden gesloten om letsel te voorkomen: De beschermkap voorkomt de kans op brandwonden en het beschadigen van het netspanningsnoer.

Volg de volgende afgebeelde stappen.

1 Beschermkap	3 Display	5 Linker verwarmingsblok
2 Rechter verwarmingsblok	4 Toetsen	

**1****2**

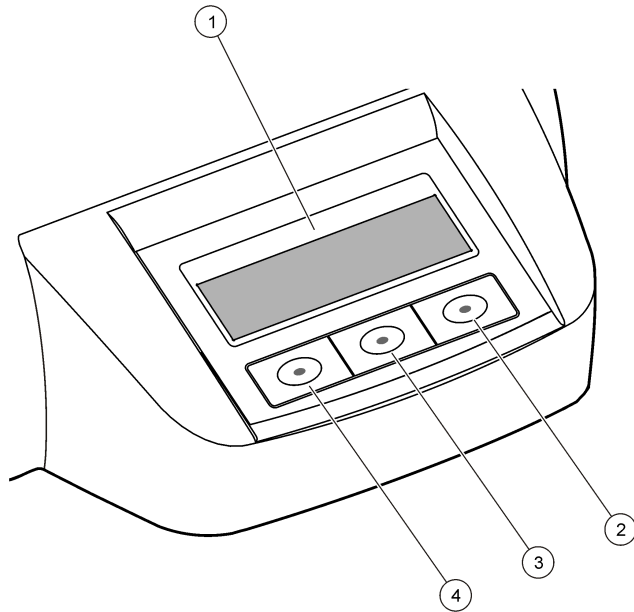


# Gebruikersinterface en navigatie

## Functietoetsen

Het apparaat kan worden bediend met drie toetsen die zich onder het display bevinden (Afbeelding 2). De functie van elke toets wordt weergegeven op het display. Als er geen functie voor een toets wordt aangegeven, is die toets op dat moment niet actief.

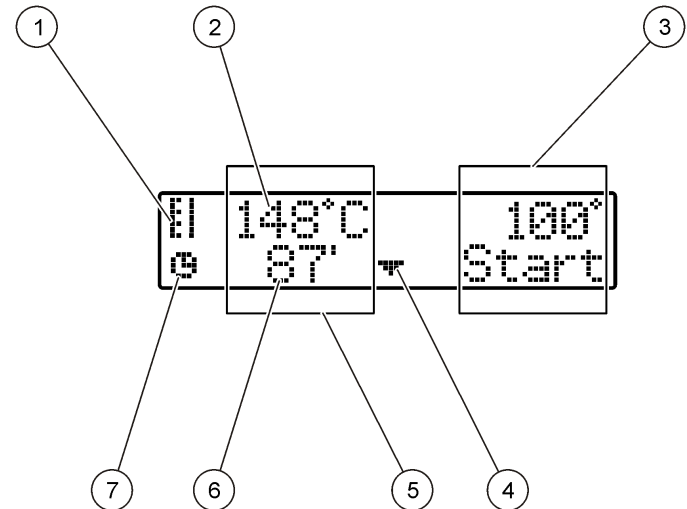
Afbeelding 2 Functies van de toetsen



1 Display	3 Middelste toets
2 Rechter toets	4 Linker toets


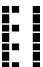

## Het display

Afbeelding 3 Het programma op het linker verwarmingsblok is actief



1 Temperatuursymbool	5 Linker verwarmingsblok
2 Temperatuur van het verwarmingsblok	6 Resterende tijd
3 Rechter verwarmingsblok	7 Timersymbool
4 Pijltoets omlaag (om programma te selecteren)	

**Tabel 1 Temperatuursymbolen**

Symbol	Beschrijving
	Het verwarmingsblok warmt op.
	Het verwarmingsblok heeft de ingestelde temperatuur bereikt.
	Het verwarmingsblok koelt af.

## Opstarten

### Het apparaat aanzetten

#### LET OP

Zet het apparaat nooit snel achter elkaar uit en aan, omdat het hierdoor beschadigd kan raken. Wacht altijd ongeveer 20 seconden voordat u het apparaat weer aanzet.

1. Plaats het apparaat op een stabiele, vlakke, hittebestendige ondergrond.
2. Sluit het netspanningssnoer aan op de aansluiting aan de achterkant van het apparaat.
3. Sluit het netspanningssnoer aan op een geaard stopcontact.
4. Druk op de aan/uit-schakelaar aan de achterkant van het apparaat om het apparaat aan te zetten.

De eerste keer dat u het apparaat aanzet, kunt u de taal instellen. Raadpleeg [Gewenste taal kiezen](#) op pagina 90.

### Gewenste taal kiezen

1. Houd de linker toets ingedrukt en zet het apparaat aan.

2. Druk op de pijltoets naar rechts om door het menu te bladeren. Het display keert aan het einde van het menu terug naar het begin van het menu.
3. Wanneer de gewenste taal verschijnt, drukt u op de toets onder die taal. Raadpleeg [Tabel 2](#).

**Tabel 2 Beschikbare talen**

Instelling	Taal	Instelling	Taal
GB	Engels	E	Spaans
D	Duits	NL	Nederlands
F	Frans	S	Zweeds
I	Italiaans	PL	Pools

## Displaycontrast instellen

1. Houd de middelste toets ingedrukt en zet het apparaat aan.
2. Druk op de toets onder de pijl omhoog of omlaag, of houd deze ingedrukt, als u het contrast wilt wijzigen.
3. Druk op **OK** om de wijziging op te slaan.

## Bedrijf

### ⚠ GEVAAR



Gevaar van blootstelling aan chemicaliën. Volg alle laboratoriumtechnische veiligheidsvoorschriften op en draag alle persoonlijke beschermingsuitrustingen die geschikt zijn voor de gehanteerde chemicaliën. Raadpleeg de huidige veiligheidsinformatiebladen (MSDS/SDS) voor veiligheidsprotocollen.



## Routinegebruik

### ⚠ VOORZICHTIG



Kans op brandwonden. Steek uw vingers niet in een compartiment van het verwarmingsblok. Sluit de beschermkap voordat het opwarmen van het verwarmingsblok wordt gestart.

### ⚠ VOORZICHTIG



Kans op brandwonden. Monsterkuvetten kunnen erg warm zijn. Draag zo nodig warmtewerende handschoenen. Verwijder geen kuwet dat warmer is dan 80 °C. Plaats geen kuwet in de colorimeter of fotometer wanneer het warmer is dan 80 °C.

### ⚠ VOORZICHTIG



Kans op blootstelling aan chemicaliën. Zorg ervoor dat u niet in contact komt met de chemicaliën wanneer een kuwet gebroken is. Maak zo nodig gebruik van afzuiging om chemische dampen af te zuigen.

### ⚠ VOORZICHTIG



Gevaar van blootstelling aan chemicaliën. Chemicaliën en afval dienen te worden afgevoerd in overeenkomst met de lokale, regionale en nationale voorschriften.

### LET OP

Houd de compartimenten in het verwarmingsblok droog en schoon om beschadiging van de kuwet en het apparaat te voorkomen. Maak de monsterkuvetten aan de buitenkant goed droog.

### LET OP

Om beschadiging van het apparaat te voorkomen, moet de voeding onmiddellijk worden losgekoppeld als er per ongeluk vloeistof wordt gemorst of in geval van breuk van een monsterkuwet. Reinig vervolgens het apparaat. Raadpleeg [Reiniging van het instrument](#) op pagina 93.

### LET OP

Sluit de ventilatiesleuven in de beschermkap niet af. Het apparaat en de kuvetten kunnen anders oververhit raken, waardoor de meting minder nauwkeurig is.

1. Bereid de kuvetten voor volgens de instructies in de werkprocedure.
2. Sluit de kuvetten af met de bijbehorende dop.
3. Maak de kuvetten aan de buitenkant goed schoon en droog.
4. Zet het apparaat aan en open de beschermkap. Het laatst gebruikte programma of de laatste programma's worden weergegeven in het display.
5. Als er 16mm-buisjes worden gebruikt bij een verwarmingsblok met compartimenten met een diameter van 20 mm, brengt u reduceeradaptors in de compartimenten aan.
6. LT 200: Plaats de kuvetten in het verwarmingsblok en sluit de beschermkap.
7. Selecteer met de toetsen de gewenste temperatuur (en de tijd, indien van toepassing) en druk vervolgens op **Start**. Raadpleeg [Opgeslagen programma's](#) op pagina 92. Bij twee verwarmingsblokken wordt het temperatuurprogramma voor elk verwarmingsblok onafhankelijk geselecteerd.  
*Opmerking: U kunt een programma stoppen door twee keer op de toets onder het programma te drukken.*  
LT 200: Het destructieprogramma begint. De temperatuur van het verwarmingsblok stijgt tot de ingestelde waarde, daarna loopt de tijd automatisch terug naar nul (0). Wanneer het destructieprogramma is voltooid, zijn drie piepjes hoorbaar en wordt de verwarming uitgeschakeld.  
DRB 200: De temperatuur van het verwarmingsblok stijgt tot de ingestelde temperatuur.
8. DRB 200: Wanneer het verwarmingsblok de geselecteerde temperatuur heeft bereikt (u hoort dan twee pieptonen), plaatst u de

testmonsterkuvetten in het juiste verwarmingsblok en sluit u de beschermkap. Druk op **Start** om het destructieprogramma te starten.

Wanneer het destructieprogramma is voltooid, zijn drie piepjes hoorbaar en wordt de verwarming uitgeschakeld.

## Opgeslagen programma's

Tabel 3 biedt beschrijvingen van de opgeslagen temperatuurprogramma's voor de LT 200. Tabel 4 biedt beschrijvingen van de opgeslagen temperatuurprogramma's voor de DRB 200.

**Tabel 3 Opgeslagen programma's—LT 200**

Programma	Beschrijving
CZV	Verhoogt de temperatuur van de monsterkuvetten tot 148 °C gedurende 120 minuten. In de afkoelfase zijn vier pieptonen te horen wanneer de monsterkuvetten een temperatuur van 80 °C hebben bereikt. Verwijder de monsterkuvetten en keer ze meerdere keren voorzichtig om, voordat u ze in een rek laat afkoelen. Het TOC-temperatuurprogramma kan worden gebruikt voor alle COD-monsterkuvettentests.
100 °C	Verhoogt de temperatuur van de monsterkuvetten tot 100 °C gedurende 10, 60 of 120 minuten. Het temperatuurprogramma "100 °C, 60 minuten" wordt bijv. gebruikt om: <ul style="list-style-type: none"> <li>• Fosfaat en chroom op te sporen</li> <li>• Zware metalen te ontsluiten</li> <li>• Monsters te ontsluiten met de LCW 902 Crack Set</li> </ul>
40 °C	Verhoogt de temperatuur van de monsterkuvetten tot 40 °C gedurende 10 minuten. Het temperatuurprogramma "40 °C, 10 minuten" wordt bijv. gebruikt voor formaldehydetests of voor tests met enzymatisch voedsel.

**Tabel 4 Opgeslagen programma's—DRB 200**

Programma	Beschrijving
CZV	Verwarmt de monsterkuvetten tot 150 °C gedurende 120 minuten. In de afkoelfase zijn vier pieptonen te horen wanneer de monsterkuvetten een temperatuur van 120 °C hebben bereikt. Verwijder de monsterkuvetten en keer ze meerdere keren voorzichtig om, voordat u ze in een rek laat afkoelen.
TOC	Verwarmt de monsterkuvetten tot 105 °C gedurende 120 minuten. Het TOC-temperatuurprogramma kan worden gebruikt voor alle TOC-monsterkuvettentests van Hach.
100 °C	Verhoogt de temperatuur van de monsterkuvetten tot 100 °C gedurende 30, 60 of 120 minuten. Het temperatuurprogramma "100 °C, 60 minuten" wordt bijv. gebruikt om: <ul style="list-style-type: none"> <li>• Monsters te ontsluiten met de Metals Prep Set</li> <li>• Fosfaat en chroom op te sporen</li> <li>• Zware metalen te ontsluiten</li> </ul>
105 °C	Verhoogt de temperatuur van de monsterkuvetten tot 105 °C gedurende 30, 60 of 120 minuten.
150 °C	Verhoogt de temperatuur van de monsterkuvetten tot 150 °C gedurende 30, 60 of 120 minuten.
165 °C	Verhoogt de temperatuur van de monsterkuvetten tot 165 °C gedurende 30, 60 of 120 minuten.

## Gebruikersprogramma's

De LT 200 beschikt over zes temperatuurprogramma's die door de gebruiker worden geconfigureerd (PRG1–PRG6). De DRB 200 beschikt over drie temperatuurprogramma's die door de gebruiker worden geconfigureerd (PRG1–PRG3).

U kunt een gebruikersprogramma als volgt configureren:

1. Selecteer een gebruikersprogramma met de toetsen.
2. Druk op **Progr.** om de programmeermodus te openen.
3. Voer de naam van het programma in (maximaal 4 karakters). Druk op de linker toets als u het karakter wilt wijzigen. Druk op de toets

onder de pijl naar rechts om naar de volgende positie te gaan. Druk op **OK** om de wijziging op te slaan.

4. Druk op de toets onder de pijl omhoog of omlaag, of houd deze ingedrukt, als u de temperatuur (37 tot 150 °C) wilt instellen. Druk op **OK** om de wijziging op te slaan.
5. Druk op de pijltoets omhoog of omlaag, of houd deze ingedrukt, als u de tijd (0 to 480 minuten) wilt instellen. Druk op **OK** om de wijziging op te slaan.
6. Druk op **OK** om het programma op te slaan.

## Onderhoud

### ⚠ VOORZICHTIG



Diverse gevaren. Alleen bevoegd personeel mag de in dit deel van het document beschreven taken uitvoeren.

### LET OP

Haal het instrument niet voor onderhoud uit elkaar. Als er inwendige componenten moeten worden gecontroleerd of gerepareerd, neem dan contact op met de fabrikant.

## Reiniging van het instrument

Houd het apparaat schoon zodat het correct blijft werken.

### ⚠ VOORZICHTIG



Brandgevaar. Gebruik geen brandbare reinigingsmiddelen om het instrument te reinigen.

### ⚠ VOORZICHTIG



Verbrandingsgevaar. Reinig het apparaat niet wanneer het erg warm is.

### LET OP

Gebruik nooit reinigingsmiddelen zoals terpentine, aceton of vergelijkbare producten om het apparaat of het display te reinigen, om beschadiging aan het apparaat te voorkomen.

1. Zet het apparaat uit en koppel het netspannings snoer los.
2. Reinig de buitenkant van het afgekoelde apparaat met een zachte, vochtige doek en een milde zeepoplossing. Zorg ervoor dat geen water in het apparaat kan komen.

Doe het volgende wanneer er vloeistof uit een kuwet is gelekt of een kuwet gebroken is:

1. Zet het apparaat uit en koppel het netsnoer los.
2. Laat het verwarmingsblok of de verwarmingsblokken en de kuvetten afkoelen.
3. Verwijder de vloeistof met een pipet: Zorg ervoor dat u niet in aanraking komt met de chemicaliën.
4. Voer de vloeistof op de juiste wijze af.
5. Verwijder achtergebleven glasscherven met een pincet. Verwijder de resterende vloeistof uit het apparaat. Zorg ervoor dat u niet in aanraking komt met de vloeistof.

## Temperatuur van het verwarmingsblok controleren

Meet de temperatuur van het verwarmingsblok om er zeker van te zijn dat de op het display weergegeven temperatuur correct is.

De op het display weergegeven temperatuur is de temperatuur in een met vloeistof gevulde, afgesloten kuwet. Terwijl de temperatuur van het verwarmingsblok stijgt, kan de temperatuur van het verwarmingsblok in de buurt van de verwarming hoger zijn dan de op het display weergegeven temperatuur.

Benodigheden:

- Monsterkuwet (LT 200: LCW906, DRB 200: 2275800)
- Glycerine (vochtvrij), 5 ml
- Staathermometer, gekalibreerd voor 95 tot 155 °C (203 tot 311 °F), type 67C volgens ASTM

Temperatuur van het verwarmingsblok meten:

1. Vul een schoon en leeg kuvet met glycerine dat op kamertemperatuur is.
2. Steek de thermometer zo ver in het kuvet dat het de bodem van het kuvet raakt.
3. LT 200: Zorg ervoor dat het niveau van de glycerol  $62 \text{ mm} \pm 0,5 \text{ mm}$  (2,44 inch  $\pm 0,02$  inch) vanaf de onderkant van de monsterkuvet is wanneer de thermometer zich in de monsterkuvet bevindt.
4. DRB 200: Zorg ervoor dat het niveau van de glycerol  $56 \text{ mm} \pm 0,5 \text{ mm}$  (2,20 inch  $\pm 0,02$  inch) vanaf de onderkant van de monsterkuvet is wanneer de thermometer zich in de monsterkuvet bevindt.
5. Plaats het kuvet in het middelste compartiment van de tweede rij van het verwarmingsblok.
6. Start met de toetsen een programma van  $100 \text{ }^\circ\text{C}$  gedurende 60 minuten en druk vervolgens op **OK**.
7. Wanneer het verwarmingsblok de ingestelde temperatuur heeft bereikt (u hoort dan twee keer een piep), moet de op de thermometer aangegeven temperatuur overeenkomen met die in het display.

## Problemen oplossen

Raadpleeg [Tabel 5](#) voor foutmeldingen, mogelijke oorzaken en oplossingen.

**Tabel 5 Foutmeldingen**

Foutmelding	Oplossing
BLOK TE HEET! WACHT A.U.B	De temperatuur van het verwarmingsblok is hoger dan de ingestelde temperatuur. Wacht tot het verwarmingsblok afgekoeld is.
INIT FOUT	Het apparaat is defect: Neem contact op met de klantenservice.

## Reserve onderdelen

### ▲ WAARSCHUWING



Gevaar voor letsel. Het gebruik van niet-goedgekeurde onderdelen kan leiden tot letsel, beschadiging van het instrument of onjuiste werking van apparatuur. De reserveonderdelen in dit hoofdstuk zijn goedgekeurd door de fabrikant.

**Opmerking:** Product- en artikelnummers kunnen verschillen per regio. Neem contact op met de desbetreffende distributeur of bezoek de website voor contactgegevens.

### Reserve onderdelen

Beschrijving	Hoeveelheid	Artikelnr.
Beschermkap	1	LZT048

### Accessoires—DRB 200

Beschrijving	Hoeveelheid	Artikelnr.
Reduceeradapter, 20 > 16 mm	1	HHA155
Reduceeradapter, 16 > 13 mm	1	2895805
Buisje, 16 x 100 mm	1	2275800
Buisje, 16 x 100 mm	6	2275806
Thermometer, 0 tot $200 \text{ }^\circ\text{C}$	1	4565500

## Spis treści

[Dane techniczne](#) na stronie 95

[Ogólne informacje](#) na stronie 95

[Instalacja](#) na stronie 97

[Interfejs użytkownika i nawigacja](#)  
na stronie 99

[Rozruch](#) na stronie 100

[Użytkowanie](#) na stronie 100

[Konservacja](#) na stronie 103

[Rozwiązywanie problemów](#)  
na stronie 104

[Części zamienne i akcesoria](#)  
na stronie 104

## Dane techniczne

Dane techniczne mogą ulec zmianie bez wcześniejszego powiadomienia.

Dane techniczne	Informacje szczegółowe
Wymiary	25 x 14,5 x 31 cm (9,8 x 5,7 x 12,2 cala)
Masa	Pojedynczy blok grzewczy: 2 kg (4,4 lb) Podwójny blok grzewczy: 2,8 kg (6,17 lb)
Wymagania dotyczące zasilania	100–240 V, +5%/–15%, 50/60 Hz, klasa ochrony I
Źródło zasilania	Pojedynczy blok grzewczy: 115 V: 300 VA; 230 V: 450 VA Podwójny blok grzewczy: 115 V: 600 VA; 230 V: 900 VA
Temperatura podczas przechowywania	–40 do +60 °C (–40 do +140 °F)
Temperatura podczas pracy	10 do 45 °C (50 do 113 °F)
Wilgotność podczas pracy	90% (bez kondensacji)

Dane techniczne	Informacje szczegółowe
Zakres temperatury	LT 200: 37 do 150 °C (98,6 do 302 °F) DRB 200: 37 do 165 °C (98,6 do 329 °F)
	Zegar: 0 do 480 minut
Stabilność temperatury	LT 200: ±1 °C (±2 °F) DRB 200: ±2 °C (±3,5 °F)
Zakres podgrzewania	LT 200: od 20 do 148 °C (68 do 298 °F) w czasie 10 minut (DIN 38409-44) DRB 200: od 20 do 150 °C (68 do 302 °F) w czasie 10 minut
Certyfikaty	CE oraz cTUVus

## Ogólne informacje

W żadnym przypadku producent nie ponosi odpowiedzialności za bezpośrednie, pośrednie, specjalne, przypadkowe lub wtórne szkody wynikające z błędów lub pominięcia w niniejszej instrukcji obsługi. Producent zastrzega sobie prawo do dokonania zmian w niniejszej instrukcji obsługi i w produkcie, której dotyczy w dowolnym momencie, bez powiadomienia lub zobowiązania. Na stronie internetowej producenta można znaleźć poprawione wydania.

## Informacje dotyczące bezpieczeństwa

### POWIADOMIENIE

Producent nie ponosi odpowiedzialności za ewentualne szkody wynikłe z niewłaściwego stosowania albo użytkowania tego produktu, w tym, bez ograniczeń za szkody bezpośrednie, przypadkowe i wtórne, oraz wyklucza odpowiedzialność za takie szkody w pełnym zakresie dozwolonym przez obowiązujące prawo. Użytkownik jest wyłącznie odpowiedzialny za zidentyfikowanie krytycznych zagrożeń aplikacji i zainstalowanie odpowiednich mechanizmów ochronnych procesów podczas ewentualnej awarii sprzętu.

Prosimy przeczytać całą niniejszą instrukcję obsługi przed rozpakowaniem, włączeniem i rozpoczęciem użytkowania urządzenia.

Należy zwrócić uwagę na wszystkie informacje dotyczące niebezpieczeństwa i kroków zapobiegawczych. Niezastosowanie się do tego może spowodować poważne obrażenia obsługującego lub uszkodzenia urządzenia.

Należy upewnić się, czy systemy zabezpieczające wbudowane w urządzenie pracują prawidłowo. Nie używać ani nie instalować tego urządzenia w inny sposób, aniżeli podany w niniejszej instrukcji.

### Korzystanie z informacji o zagrożeniach

#### ▲ NIEBEZPIECZEŃSTWO

Wskazuje potencjalnie lub bezpośrednio niebezpieczną sytuację, która — jeśli się jej nie zapobiegnie — doprowadzi do śmierci lub poważnych obrażeń.

#### ▲ OSTRZEŻENIE

Wskazuje na potencjalną lub bezpośrednio niebezpieczną sytuację, która, jeżeli się jej nie uniknie, może doprowadzić do śmierci lub ciężkich obrażeń.

#### ▲ UWAGA





Wskazuje na potencjalnie niebezpieczną sytuację, która może doprowadzić do mniejszych lub umiarkowanych obrażeń.

#### POWIADOMIENIE

Wskazuje sytuację, która — jeśli się jej nie zapobiegnie — może doprowadzić do uszkodzenia urządzenia. Informacja, która wymaga specjalnego podkreślenia.

### Etykiety ostrzegawcze

Przeczytaj wszystkie etykiety dołączone do urządzenia. Nieprzestrzeganie zawartych na nich ostrzeżeń może doprowadzić do obrażeń ciała i/lub uszkodzenia urządzenia. Jeżeli na urządzeniu jest widoczny pewien symbol, będzie on uwzględniony w instrukcji obsługi wraz z uwagą dotyczącą niebezpieczeństwa lub kroków zapobiegawczych.

	Ten symbol, jeżeli znajduje się na przyrządzie, odsyła do instrukcji obsługi i/lub informacji dotyczących bezpieczeństwa.
	Urządzeń elektrycznych oznaczonych tym symbolem nie wolno wyrzucać do europejskich publicznych systemów utylizacji odpadów. Wyeksploatowane urządzenia należy zwrócić do producenta w celu ich utylizacji. Producent ma obowiązek przyjąć je bez pobierania dodatkowych opłat.
	Ten symbol wskazuje, iż oznaczony element może być gorący i nie powinien być dotykany bez odpowiedniego zabezpieczenia rąk.
	Ten symbol informuje o konieczności uziemienia oznakowanego elementu. Jeśli przyrząd nie jest wyposażony we wtyczkę uziemiającą na przewodzie, należy utworzyć ochronne uziemienie do ochronnej końcówki przewodnika.

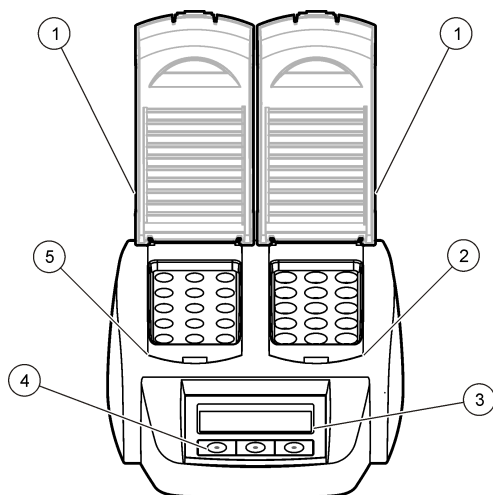
### Charakterystyka produktu

To urządzenie jest wyposażone w jeden lub dwa bloki grzewcze, których zadaniem jest podniesienie temperatury roztworów stosowanych w kuwetach, do określonej wartości w danym okresie czasu ([Rysunek 1](#)).

Termostat LT 200 wyposażony jest w trzy programy temperatur przechowywane w pamięci oraz sześć konfigurowanych i zapisywanych przez użytkownika. Termostat DRB 200 wyposażony jest w sześć programów temperatur przechowywanych w pamięci oraz trzy konfigurowane i zapisywane przez użytkownika.



Rysunek 1 Widok z przodu



1 Ośłona ochronna	3 Wyświetlacz	5 Lewy blok grzewczy
2 Prawy blok grzewczy	4 Klawisze	

## Instalacja

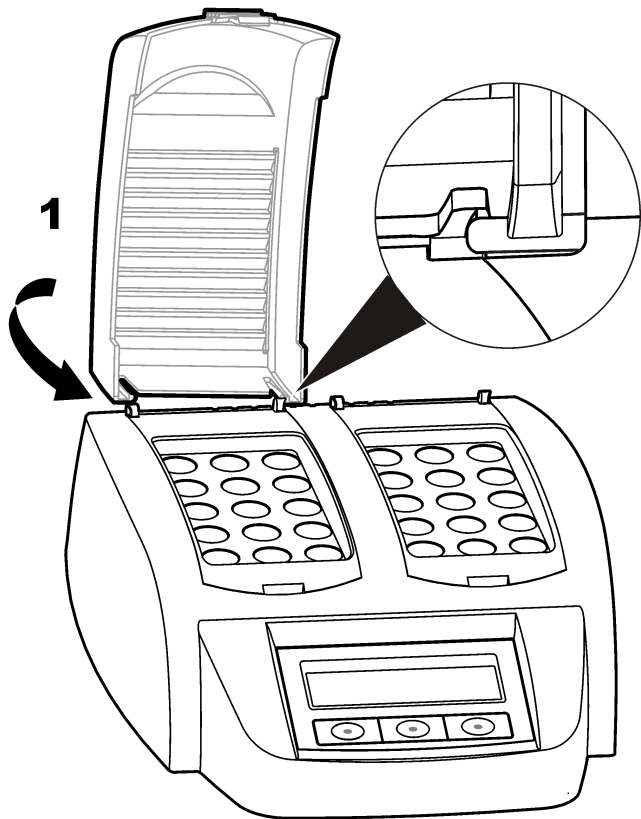
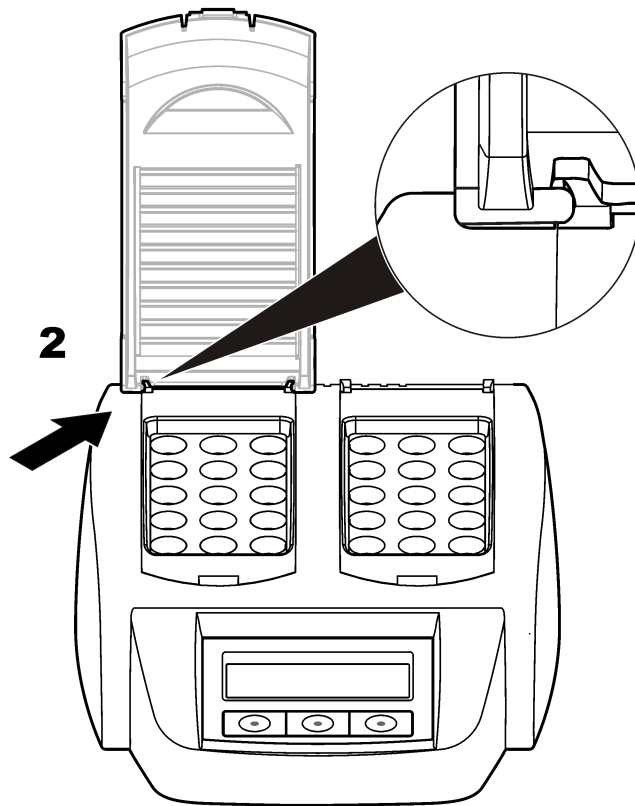
### Instalacja osłon ochronnych

#### **⚠ OSTRZEŻENIE**



Zagrożenie porażeniem prądem i oparzeniem. Należy zainstalować osłony ochronne, aby zapobiec uszkodzeniu ciała. Osłona ochronna zapobiega oparzeniu i dotknięciu kabla zasilającego w bloku grzewczym.

Instrukcje przedstawiono w ilustrowanych krokach poniżej.

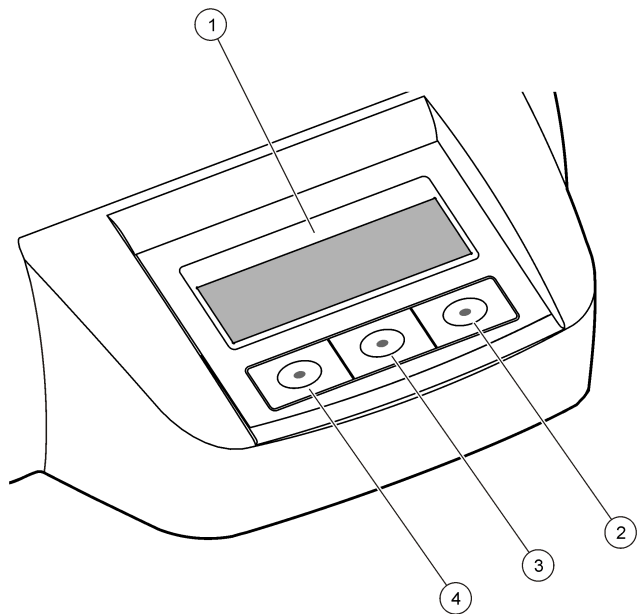
**1****2**

## Interfejs użytkownika i nawigacja

### Interfejs użytkownika

Praca urządzenia jest sterowana za pomocą trzech klawiszy umieszczonych poniżej wyświetlacza (Rysunek 2). Funkcja każdego klawisza jest pokazana na wyświetlaczu. Jeśli funkcja klawisza nie jest wyświetlana, oznacza to, że klawisz nie jest teraz aktywny.

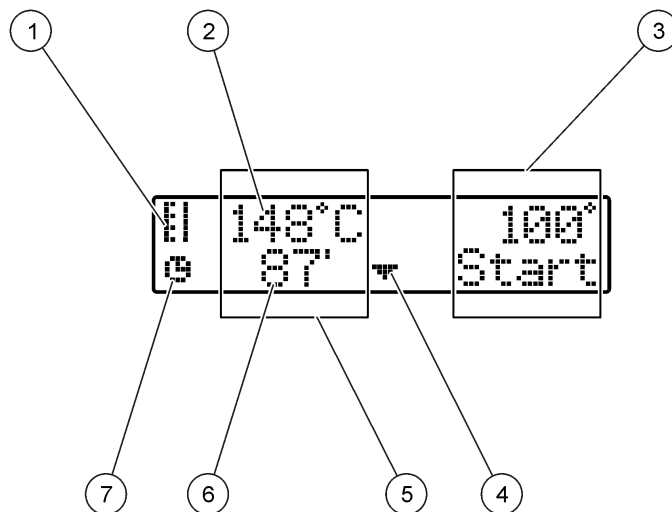
Rysunek 2 Opis klawiatury



1 Wyświetlacz	3 Klawisz środkowy
2 Klawisz prawy	4 Klawisz lewy


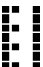

### Opis ekranu

Rysunek 3 Wyświetlany ekran, gdy program obsługuje tylko lewy blok podgrzewający



1 Symbol termometru	5 Lewy blok podgrzewający
2 Temperatura bloku podgrzewającego	6 Pozostały czas
3 Prawy blok podgrzewający	7 Symbol zegara
4 Klawisz strzałki w dół (używany do wyboru programu)	

**Tabela 1 Symbole termometru**

Symbol	Opis
	Podnoszenie temperatury bloku podgrzewającego.
	Utrzymywanie wybranej temperatury bloku podgrzewającego.
	Obniżanie temperatury bloku podgrzewającego.

## Rozruch

### Włączanie urządzenia

#### POWIADOMIENIE

Nie wolno włączać i wyłączać urządzenia w krótkich odstępach czasu. Zawsze odczekać około 20 sekund przed ponownym włączeniem urządzenia.

1. Urządzenie ustawiać na stabilnej, poziomej powierzchni odpornej na wysokie temperatury.
2. Podłączyć kabel zasilający do wtyku z tyłu urządzenia.
3. Podłączyć kabel zasilający do gniazda zasilającego z uziemieniem.
4. Nacisnąć wyłącznik zasilania z tyłu urządzenia w celu jego włączenia.

Po pierwszym włączeniu urządzenia wyświetlany jest ekran wyboru języka. Patrz [Wybór języka](#) na stronie 100.

### Wybór języka

1. Przytrzymać klawisz lewy i włączyć urządzenie.
2. Nacisnąć klawisz strzałki w prawo, aby przewinąć menu. Ekran powraca z końca menu do początku menu.

3. Jeśli wyświetli się właściwy język, naciśnij przycisk dla danego języku. Patrz [Tabela 2](#).

**Tabela 2 Ustawienia języka**

Ustawienie	Język	Ustawienie	Język
GB	Angielski	E	Hiszpański
D	Niemiecki	NL	Holenderski
F	Francuski	S	Szwedzki
I	Włoski	PL	Polski

### Ustawianie kontrastu wyświetlacza

1. Przytrzymać klawisz środkowy i włączyć urządzenie.
2. Nacisnąć i przytrzymać klawisze strzałki do góry i do dołu, aby zmienić kontrast.
3. Nacisnąć **OK**, aby zapisać zmianę.

### Użytkowanie

#### ⚠ NIEBEZPIECZEŃSTWO



Narażenie na działanie substancji chemicznych. Stosuj się do procedur bezpieczeństwa w laboratoriach i zakładaj sprzęt ochrony osobistej, zatwierdzony do używanych substancji chemicznych. Protokoły warunków bezpieczeństwa można znaleźć w aktualnych kartach charakterystyki (MSDS/SDS) materiałów.

### Normalna eksploatacja

#### ⚠ UWAGA



Zagrożenie oparzeniem. Nie wkładać palców w otwory bloku grzewczego. Zamknąć osłonę ochronną przed uruchomieniem bloku grzewczego, jak również podczas pracy urządzenia.

### ▲ UWAGA



Zagrożenie oparzeniem. Kuwety są gorące. Chronić ręce materiałem izolującym termicznie (tj. używać rękawic lub palców gumowych). Nie wyjmować kuwety, jeśli temperatura przekracza 80 °C. Nie wkładać do kolorymetru kuwety o temperaturze powyżej 80 °C.

### ▲ UWAGA



Zagrożenie chemiczne. Jeśli kuweta uległa zniszczeniu, nie dopuścić do kontaktu cieczy ze skórą. Używać wyciągu, jeśli zachodzi taka konieczność w celu usunięcia oparów chemicznych.

### ▲ UWAGA



Narażenie na działanie substancji chemicznych. Usuwać substancje chemiczne i odpady zgodnie z przepisami lokalnymi, regionalnymi i państwowymi.

### POWIADOMIENIE

Aby zapobiec zniszczeniu kuwety i urządzenia, otwory w bloku grzewczym powinny być suche. Zewnętrzne powierzchnie kuwet powinny być suche.

### POWIADOMIENIE

Aby zapobiec zniszczeniu urządzenia, w przypadku rozlania się cieczy lub zniszczenia kuwety, natychmiast odłączyć zasilanie, a następnie wyczyścić urządzenie. Patrz [Czyszczenie urządzenia](#) na stronie 103.

### POWIADOMIENIE

Nie należy zasłaniać szczelin wentylacyjnych znajdujących się w osłonie ochronnej. Doprowadzenie do zbyt wysokich temperatur urządzenia i kuwet zmniejsza dokładność pomiarów.

1. Przygotować kuwety do badań, jak podano w procedurze przeprowadzania analizy.
2. Zamknąć kuwetę nakrywką.
3. Zewnętrzne powierzchnie kuwet powinny być suche.
4. Włączyć urządzenie i otworzyć osłonę ochronną. Na ekranie wyświetla się program(-y) temperatur wybrany ostatnio.

5. Jeśli używane są rurki 16 mm w przypadku otworów w bloku grzewczym o średnicy 20 mm, należy do otworów włożyć adaptery redukcyjne.
6. LT 200: włożyć kuwety do badań do odpowiedniego bloku grzewczego i zamknąć osłonę ochronną.
7. Za pomocą klawiszy wybrać odpowiedni program temperatury (oraz okres mineralizacji w stosownych przypadkach), a następnie nacisnąć **Start**. Patrz [Programy zapisane](#) na stronie 101. W przypadku dwóch bloków grzewczych program temperatur można wybrać niezależnie dla każdego bloku.

*Uwaga:* Aby zatrzymać program, należy nacisnąć dwukrotnie klawisz poniżej programu.

LT 200: rozpoczęcie programu mineralizacji. Jeśli temperatura bloków grzewczych wzrośnie do zadanej wartości, czas automatycznie odliczany jest do zera (0). Po zakończeniu programu mineralizacji rozlegną się trzy sygnały dźwiękowe, a grzałka wyłączy się.

DRB 200: temperatura bloku grzewczego wzrośnie do wybranej wartości.

8. DRB 200: gdy temperatura bloku grzewczego osiągnie wybraną wartość (rozlegną się dwa sygnały dźwiękowe), kuwety do badań należy umieścić w odpowiednim bloku i zamknąć osłonę ochronną. Nacisnąć **Start**, aby rozpocząć program mineralizacji. Po zakończeniu programu mineralizacji rozlegną się trzy sygnały dźwiękowe, a grzałka wyłączy się.

## Programy zapisane

[Tabela 3](#) zawiera opisy programów temperatur przechowywanych w pamięci termostatu LT 200. [Tabela 4](#) zawiera opisy programów temperatur przechowywanych w pamięci termostatu DRB 200.

**Tabela 3 Programy przechowywanych w pamięci — LT 200**

Program	Opis
COD	Zwiększa temperaturę kuwet do 148 °C przez 120 minut. W fazie chłodzenia słyszane są cztery sygnały dźwiękowe, jeśli temperatura kuwet spadnie do 80 °C. Wyjąć i ostrożnie odwrócić kuwety kilka razy, po czym umieścić je w stojaku. Program temperatur COD może być używany do wszystkich kuwet do badań COD.
100 °C	Zwiększa temperaturę kuwet do 100 °C przez 10, 60 lub 120 minut. Na przykład program temperatur „100 °C, 60 minutes” jest używany do: <ul style="list-style-type: none"> <li>• Identyfikacji fosforanu i chromu</li> <li>• Ługowania metali ciężkich</li> <li>• Rozpuszczania próbek przy użyciu zestawu LCW 902 Crack Set</li> </ul>
40 °C	Zwiększa temperaturę kuwet do 40 °C przez 10 minut. Na przykład program temperatur „40 °C, 10 minutes” jest używany do badań obecności formaldehydu lub badań żywności na zawartość enzymów.

**Tabela 4 Programy przechowywanych w pamięci — DRB 200**

Program	Opis
COD	Zwiększa temperaturę kuwet do 150 °C przez 120 minut. W fazie chłodzenia słyszane są cztery sygnały dźwiękowe, jeśli temperatura kuwet spadnie do 120 °C. Wyjąć i ostrożnie odwrócić kuwety kilka razy, po czym umieścić je w stojaku.
TOC	Zwiększa temperaturę kuwet do 105 °C przez 120 minut. Program temperatur TOC może być używany do wszystkich kuwet Hach do badań TOC.

**Tabela 4 Programy przechowywanych w pamięci — DRB 200 (ciąg dalszy)**

Program	Opis
100 °C	Zwiększa temperaturę kuwet do 100 °C przez 30, 60 lub 120 minut. Na przykład program temperatur „100 °C, 60 minutes” jest używany do: <ul style="list-style-type: none"> <li>• Rozpuszczania próbek przy użyciu zestawu Metals Prep Set</li> <li>• Identyfikacji fosforanu i chromu</li> <li>• Ługowania metali ciężkich</li> </ul>
105 °C	Zwiększa temperaturę kuwet do 105 °C przez 30, 60 lub 120 minut.
150 °C	Zwiększa temperaturę kuwet do 150 °C przez 30, 60 lub 120 minut.
165 °C	Zwiększa temperaturę kuwet do 165 °C przez 30, 60 lub 120 minut.

## Programy użytkownika

Termostat LT 200 wyposażony jest w sześć konfigurowanych przez użytkownika programów temperatur (PRG1 - PRG6). Termostat DRB 200 wyposażony jest w trzy konfigurowane przez użytkownika programy temperatur (PRG1 - PRG3).

Konfigurowanie przez użytkownika programu temperatur:

1. Wybrać przy użyciu klawiszy program użytkownika do konfigurowania temperatur.
2. Naciśnąć **Prog** (Programowanie), aby wprowadzić tryb programowania.
3. Wybrać 4-znakową nazwę programu. Naciśnąć klawisz lewy, aby zmienić znak. Naciśnąć klawisz strzałki w prawo, aby przesunąć kursor w następną pozycję. Naciśnąć **OK**, aby zapisać zmianę.
4. Naciśnąć i przytrzymać klawisze strzałki w dół i w górę, aby ustawić temperaturę (37 do 150 °C). Naciśnąć **OK**, aby zapisać zmianę.
5. Naciśnąć i przytrzymać klawisze strzałki w dół i w górę, aby ustawić czas (0 do 480 minut). Naciśnąć **OK**, aby zapisać zmianę.
6. Naciśnij **OK**, aby zapisać program.

## Konserwacja

### ▲ UWAGA



Wiele zagrożeń. Tylko wykwalifikowany personel powinien przeprowadzać prace opisane w tym rozdziale niniejszego dokumentu.

### POWIADOMIENIE

Nie demontować urządzenia w celu konserwacji. Skontaktuj się z producentem, gdy komponent wewnętrzny wymaga czyszczenia lub naprawy.

## Czyszczenie urządzenia

Ciągła i dokładna praca wymaga utrzymywania urządzenia w czystości.

### ▲ UWAGA



Zagrożenie pożarem. Do czyszczenia urządzenia nie używać środków łatwopalnych.

### ▲ UWAGA



Zagrożenie oparzeniem. Nie czyścić urządzenia, gdy jest gorące.

### POWIADOMIENIE

Nigdy nie należy stosować takich środków czyszczących, jak terpentyna, aceton lub podobne produkty, co może doprowadzić do uszkodzenia urządzenia.

1. Wyłączyć urządzenie i odłączyć kabel zasilający.
2. Schłodzone powierzchnie urządzenia czyścić wilgotną szmatką i łagodnym roztworem mydła. Pamiętać, aby woda nie przedostała się do wnętrza urządzenia.

Jeśli z kuwety wylewa się ciecz lub jest pęknięta:

1. Wyłączyć urządzenie i odłączyć kabel zasilający.
2. Poczekać, aż temperatura bloku grzewczego i kuwety obniży się, aż do całkowitego wystygnięcia.

3. Usunąć ciecz przy użyciu pipety. Nie dopuścić do kontaktu cieczy ze skórą.
4. Pozbyć się cieczy, postępując zgodnie z przepisami o odpadach.
5. Usunąć kawałki rozbitego szkła przy użyciu pincety. Usunąć pozostałości cieczy z urządzenia. Nie dopuścić do kontaktu cieczy ze skórą.

## Pomiar temperatury bloku grzewczego

Pomiar temperatury bloku grzewczego przeprowadza się w celu upewnienia się, że wyświetlana na ekranie temperatura jest poprawna. Temperatura wyświetlana na ekranie odpowiada temperaturze cieczy w zamkniętej kuwecie. Podczas podgrzewania temperatura bloku grzewczego, blisko grzałki, może być wyższa od temperatury wyświetlanej na ekranie.

Wymagane narzędzia:

- Kuweta (LT 200: LCW906, DRB 200: 2275800)
- Gliceryna (bezwodna), 5 ml
- Termometr, typu rdzeń, skalibrowany w przedziale 95 do 155 °C (203 do 311 °F), typ 67C według ASTM

Pomiar temperatury bloku grzewczego:

1. Napełnić czystą, pustą kuwetę gliceryną w temperaturze pokojowej.
2. Włożyć termometr do kuwety aż do dna.
3. LT 200: pamiętać, aby poziom gliceryny wynosił 62 mm ±0,5 mm (2,44 cala ±0,02 cala) mierzony od dna kuwety przy włożonym termometrze.
4. DRB 200: pamiętać, aby poziom gliceryny wynosił 56 mm ±0,5 mm (2,20 cala ±0,02 cala) mierzony od dna kuwety przy włożonym termometrze.
5. Włożyć kuwetę w centralny otwór w drugim rzędzie otworów bloku grzewczego.

- uruchomić program temperaturowy dla 100 °C przez 60 minut przy użyciu klawiszy, a następnie nacisnąć **OK**.
- Gdy blok grzewczy osiągnie wybraną temperaturę (słyszane są dwa sygnały dźwiękowe), temperatura termometru powinna osiągnąć wartość wyświetlaną na wyświetlaczu.

## Rozwiązywanie problemów

Tabela 5 przedstawia komunikaty o błędach, prawdopodobne przyczyny i działania naprawcze.

**Tabela 5 Komunikaty o błędach**

Błąd	Rozwiązanie
BLOCK IS TOO HOT! (ZA WYSOKA TEMPERATURA BLOKU!) PLEASE WAIT (CZEKAJ)	Temperatura bloku podgrzewającego jest wyższa od zadanej. Poczekaj, aż temperatura bloku podgrzewającego obniży się.
INIT ERROR (BŁĄD POCZĄTKOWY)	Urządzenie jest uszkodzone. Skontaktować się z działem obsługi serwisowej dla klienta.

## Części zamienne i akcesoria

### ⚠ OSTRZEŻENIE



Zagrożenie uszkodzenia ciała. Stosowanie niezatwierdzonych części grozi obrażeniami ciała, uszkodzeniem urządzenia lub nieprawidłowym działaniem osprzętu. Części zamienne wymienione w tym rozdziale zostały zatwierdzone przez producenta.

**Uwaga:** Numery produktów i części mogą być różne w różnych regionach. Skontaktuj się z odpowiednim dystrybutorem albo znajdź informacje kontaktowe w witrynie internetowej firmy.

### Części zamienne

Opis	Ilość	Numer elementu
Osłona ochronna	1	LZT048

### Akcesoria — DRB 200

Opis	Ilość	Numer elementu
Adapter redukcyjny, 20 > 16 mm	1	HHA155
Adapter redukcyjny, 16 > 13 mm	1	2895805
Rurka, 16 x 100 mm	1	2275800
Rurka, 16 x 100 mm	6	2275806
Termometr, 0 do 200 °C	1	4565500



## Innehållsförteckning

[Specifikationer](#) på sidan 105

[Användning](#) på sidan 110

[Allmän information](#) på sidan 105

[Underhåll](#) på sidan 113

[Installation](#) på sidan 107

[Felsökning](#) på sidan 114

[Användargränssnitt och navigering](#)  
på sidan 109

[Reservdelar och tillbehör](#) på sidan 114

[Start](#) på sidan 110

## Specifikationer

Specifikationerna kan ändras utan föregående meddelande.

Specifikation	Information
Mått	25 x 14,5 x 31 cm (9,8 x 5,7 x 12,2 tum)
Vikt	Ett uppvärmningsblock: 2 kg (4,4 lb) Dubbla uppvärmningsblock: 2,8 kg (6,17 lb)
Effektkrav	100–240 V, +5 %/–15 %, 50/60 Hz, skyddsklass I
Ineffekt	Ett uppvärmningsblock: 115 V: 300 VA; 230 V: 450 VA Dubbla uppvärmningsblock: 115 V: 600 VA; 230 V: 900 VA
Förvaringstemperatur	–40 till +60 °C (–40 till +140 °F)
Drifttemperatur	10 till 45 °C (50 till 113 °F)
Driftsfuktighet	90 % (icke-kondenserande)
Temperaturområde	LT 200: 37 till 150 °C (98,6 till 302 °F) DRB 200: 37 till 165 °C (98,6 till 329 °F) Timer: 0 till 480 minuter
Temperaturstabilitet	LT 200: ± 1 °C (±2 °F) DRB 200: ± 2 °C (±3,5 °F)

Specifikation	Information
Uppvärmningstakt	LT 200: Från 20 till 148 °C (68 till 298 °F) på 10 min (enligt DIN 38409-44) DRB 200: Från 20 till 150 °C (68 till 302 °F) på 10 minuter
Certifiering	CE och cTUVus

## Allmän information

Tillverkaren är under inga omständigheter ansvarig för direkta, särskilda, indirekta eller följskador som orsakats av eventuellt fel eller utelämnande i denna bruksanvisning. Tillverkaren förbehåller sig rätten att göra ändringar i denna bruksanvisning och i produkterna som beskrivs i den när som helst och utan föregående meddelande och utan skyldigheter. Reviderade upplagor finns på tillverkarens webbsida.

## Säkerhetsinformation

### ANMÄRKNING:

Tillverkaren tar inget ansvar för skador till följd av att produkten används på fel sätt eller missbrukas. Det omfattar utan begränsning direkta skador, oavsiktliga skador eller följskador. Tillverkaren avsäger sig allt ansvar i den omfattning gällande lag tillåter. Användaren är ensam ansvarig för att identifiera kritiska användningsrisker och installera lämpliga mekanismer som skyddar processer vid eventuella utrustningsfel.

Läs igenom hela handboken innan instrumentet packas upp, monteras eller startas. Följ alla faro- och försiktighetshänvisningar. Om dessa anvisningar inte följs kan användaren utsättas för fara eller utrustningen skadas.

Kontrollera att skyddet som ges av den här utrustningen inte är skadat. Utrustningen får inte användas eller installeras på något annat sätt än så som specificeras i den här handboken.

## Anmärkning till information om risker

### ▲ FARA

Indikerar en potentiellt eller överhängande riskfylld situation som kommer att leda till livsfarliga eller allvarliga skador om den inte undviks.

### ▲ VARNING

Indikerar en potentiellt eller överhängande riskfylld situation som kan leda till livsfarliga eller allvarliga skador om situationen inte undviks.

### ▲ FÖRSIKTIGHET



Indikerar en potentiellt riskfylld situation som kan resultera i lindrig eller måttlig skada.



### ANMÄRKNING:

Indikerar en potentiellt riskfylld situation som kan medföra att instrumentet skadas. Information som användaren måste ta hänsyn till vid hantering av instrumentet.

## Säkerhetsskyltar

Beakta samtliga dekaler och märken på instrumentet. Personskador eller skador på instrumentet kan uppstå om dessa ej beaktas. En märkning på instrumentet följs alltid av en anmärkning i manualen.

	Denna symbol, om den finns på instrumentet, refererar till bruksanvisningen angående drifts- och/eller säkerhetsinformation.
	Elektrisk utrustning markerad med denna symbol får inte avyttras i europeiska hushållsavfallssystem eller allmänna avfallssystem. Returnera utrustning som är gammal eller har nått slutet på sin livscykel till tillverkaren för avyttring, utan kostnad för användaren.

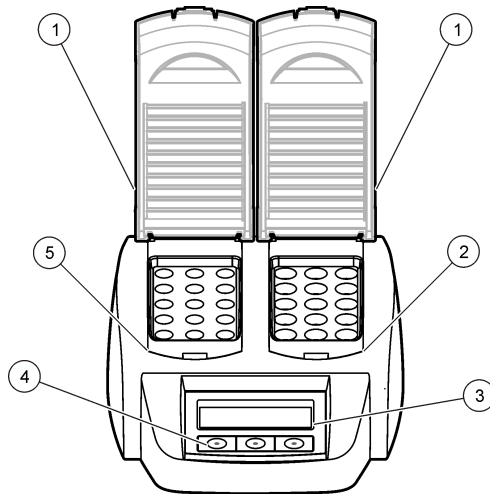
	Denna symbol betyder att det märkta föremålet kan vara varmt och endast ska vidröras med försiktighet.
	Den här symbolen visar att den märkta produkten kräver skyddsjordning. Om instrumentet inte levereras med en jordningskontakt eller -kabel gör du den jordade anslutningen skyddsjordanslutningen till skyddsledarplinten.

## Produktöversikt

Det här instrumentet har ett eller två uppvärmningsblock som höjer temperaturen på lösningar i runda provceller till en angiven temperatur under en angiven tidsperiod ([Figur 1](#)).

LT 200 har tre lagrade temperaturprogram och sex temperaturprogram som konfigureras och sparas av användaren. DRB 200 har sex lagrade temperaturprogram, samt tre temperaturprogram som konfigureras och sparas av användaren.

Figur 1 Framsida



## Installation

### Sätt fast skyddshöljerna

#### **⚠ VARNING**

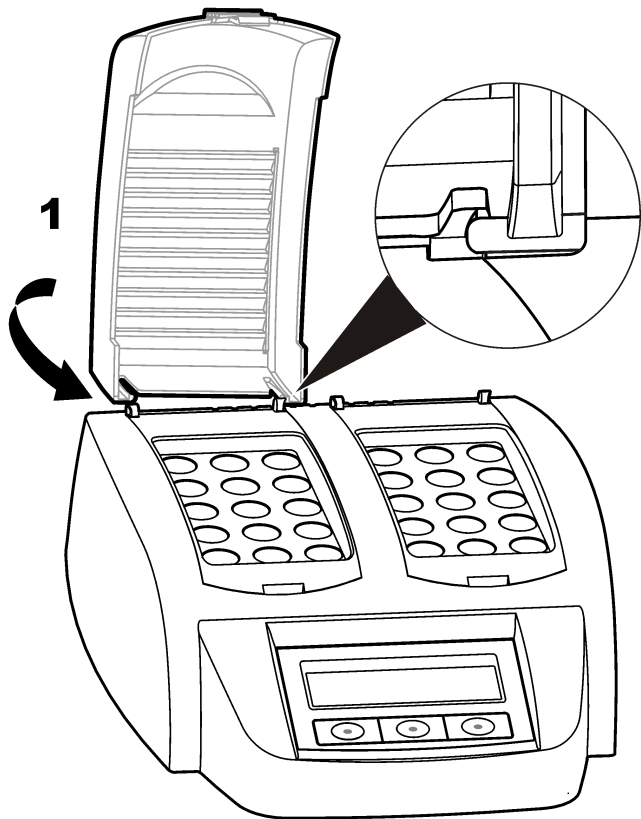


Risk för stöt- och brännskador. Skyddshöljet måste installeras för att förhindra personskador. Skyddshöljet förhindrar brännskador och att nätsladden kommer i kontakt med uppvärmningsblocket.

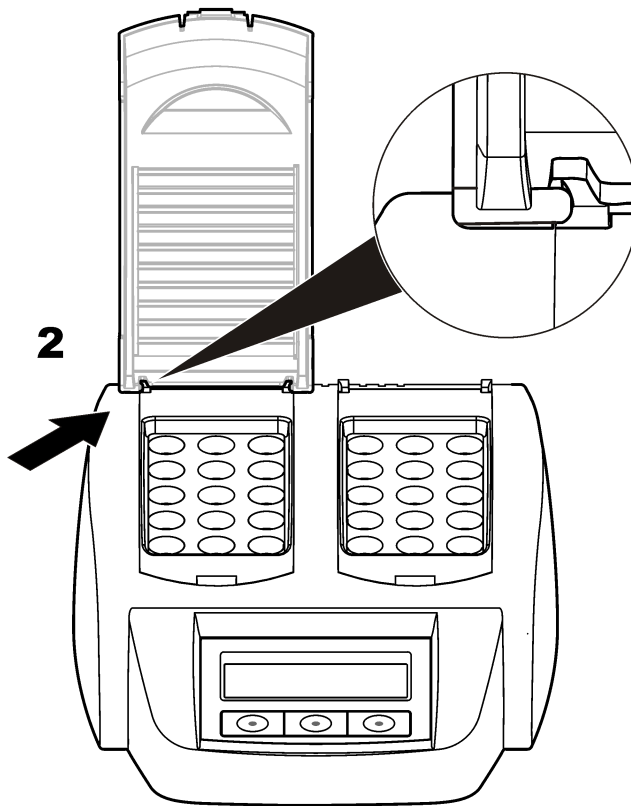
Se de illustrerade stegen som följer.

1 Skyddskåpa	3 Display	5 Vänster uppvärmningsblock
2 Höger uppvärmningsblock	4 Knappar	

1



2

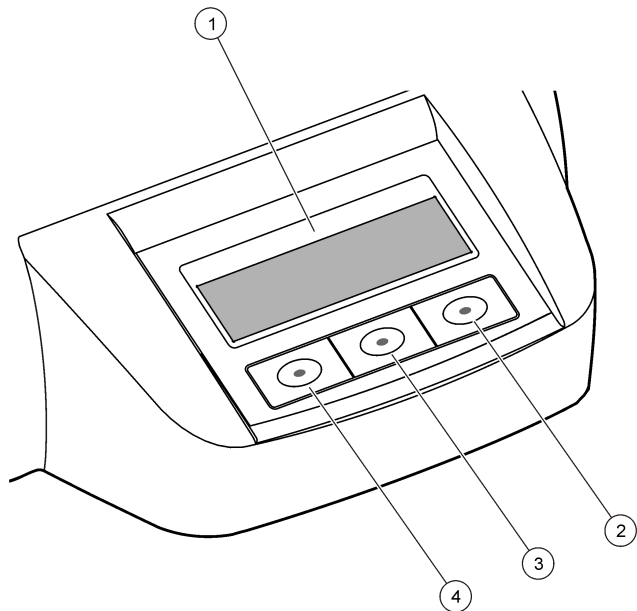


## Användargränssnitt och navigering

### Användargränssnitt

Instrumentet hanteras med hjälp av tre knappar som finns under displayen (Figur 2). Knapparnas funktion visas på displayen. Om ingen funktion visas för en knapp är den inte aktiv för tillfället.

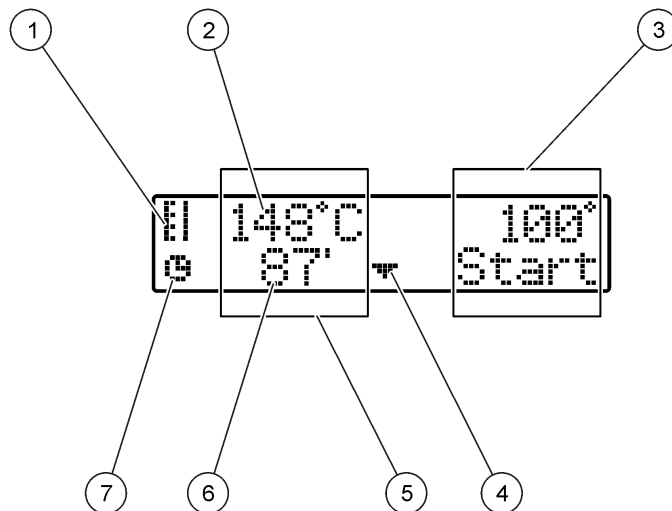
Figur 2 Beskrivning av knappsetsen



1 Display	3 Mittknapp
2 Höger knapp	4 Vänster knapp

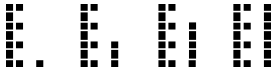
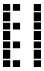

### Beskrivning av displayen.

Figur 3 Visning på displayen när ett program är aktivt endast för det vänstra uppvärmningsblocket



1 Termometersymbol	5 Vänster uppvärmningsblock
2 Uppvärmningsblockets temperatur	6 Återstående tid
3 Höger uppvärmningsblock	7 Timersymbol
4 Knapp med nedåtpil (används för val av program)	

**Tabell 1 Termometersymboler**

Symbol	Beskrivning
	Uppvärmningsblockets temperatur stiger.
	Uppvärmningsblocket har uppnått vald temperatur.
	Uppvärmningsblockets temperatur sjunker.

## Start

### Slå på instrumentet

#### ANMÄRKNING:

Slå inte på och av instrumentet snabbt eftersom det kan skadas. Vänta alltid cirka 20 sekunder innan instrumentet slås på igen.

1. Placera instrumentet på en stadig, plan, värmebeständig yta.
2. Anslut nätsladden till strömuttaget på instrumentets baksida.
3. Anslut nätsladden till ett jordat uttag.
4. Slå på instrumentet genom att trycka på strömbrytaren på baksidan. Första gången instrumentet slås på visas bilden för språkval. Se [Välj språk](#) på sidan 110.

### Välj språk

1. Håll ned den vänstra knappen och slå på instrumentet.
2. Tryck på höger pilknapp för att bläddra nedåt genom menyn. Displayen återgår till menyns start i slutet av menyn.

3. När rätt språk visas trycker du på knappen för önskat språk. Se [Tabell 2](#).



**Tabell 2 Språkinställningar**

Inställning	Language (Språk)	Inställning	Language (Språk)
GB	Engelska	E	Spanska
D	Tyska	NL	Nederländska
F	Franska	S	Svenska
I	Italienska	PL	Polska

### Ställa in displayens kontrast

1. Håll ned mittknappen och slå på instrumentet.
2. Tryck på eller håll ned uppåt- och nedåtpilknapparna för att ändra kontrastvärdet.
3. Tryck på **OK** för att spara ändringen.

## Användning

▲ FARA	
	Risk för kemikalieexponering. Följ laboratoriets säkerhetsanvisningar och bär all personlig skyddsutrustning som krävs vid hantering av kemikalier. Läs aktuella datablad (MSDS/SDS) om säkerhetsanvisningar.
	

## Rutindrift

▲ FÖRSIKTIGHET	
	Risk för brännskada. Placera inte fingrarna i uppvärmningsblockets öppningar. Stäng skyddshöljet innan uppvärmningsblockets temperatur höjs och håll det alltid stängt vid drift.

### ⚠ FÖRSIKTIGHET



Risk för brännskada. Provceller är heta. Använd värmeisolerande material (t.ex. handskar eller fingertutor). Ta inte bort en provcell vars temperatur är över 80 °C. Placera inte en provcell vars temperatur är över 80 °C i en kolorimeter.

### ⚠ FÖRSIKTIGHET



Kemisk risk. Låt inte vätskan komma i kontakt med huden om en provcell går sönder. Använd en ånghuv vid behov för att avlägsna kemikalieångor.

### ⚠ FÖRSIKTIGHET



Risk för kemikalieexponering. Kassera kemikalier och avfall enligt lokala, regionala och nationella lagar.

### ANMÄRKNING:

Håll öppningarna i uppvärmningsblocket torra för att förhindra skador på provcell och instrument. Torka provcellernas utsidor ordentligt.

### ANMÄRKNING:

Stäng av strömmen omedelbart om något spills eller en provcell går sönder för att förhindra instrumentskador och rengör sedan instrumentet. Se [Rengör instrumentet](#) på sidan 113.

### ANMÄRKNING:

Täck inte över ventilationsöppningarna i skyddshöljet. Instrumentet och provcellerna kan bli för varma, vilket kan minska mätningarnas noggrannhet.

1. Förbered testprovcellerna enligt anvisningar för analysproceduren.
2. Stäng provcellerna med locket.
3. Torka provcellernas utsidor ordentligt.
4. Slå på instrumentet och öppna skyddshöljet. Det/de senast valda temperaturprogrammet/-programmen visas på displayen.
5. Om 16 mm-rör används tillsammans med ett uppvärmningsblock med 20 mm-öppningar sätts adaptrar för minskning i öppningarna.

6. LT 200: Placera testprovcellerna i rätt uppvärmningsblock och stäng skyddshöljet.
7. Välj rätt temperaturprogram (och uppslutningsperiod i förekommande fall) med hjälp av knapparna och tryck sedan på **Start**. Mer information finns i [Lagrade program](#) på sidan 111. Temperaturprogrammet väljs oberoende för varje uppvärmningsblock om det finns två.

**Observera:** Tryck på knappen nedanför programmet två gånger för att stoppa ett program.

LT 200: Uppslutningsprogrammet startar. Uppvärmningsblockets temperatur höjs till vald temperatur och därefter räknas tiden automatiskt ned till noll (0). När uppslutningsprogrammet är klart hörs tre pipsignaler och värmaren stängs av.

DRB 200: Värmeblockets temperatur ökar till den valda temperaturen.

8. DRB 200: När uppvärmningsblocket har uppnått vald temperatur (två pipsignaler hörs) placeras testprovcellerna i rätt uppvärmningsblock och skyddshöljet stängs. Tryck på **Start** för att starta uppslutningsprogrammet.

När uppslutningsprogrammet är klart hörs tre pip och värmaren stängs av.

## Lagrade program

[Tabell 3](#) innehåller beskrivningar av de lagrade temperaturprogrammen för LT 200. [Tabell 4](#) innehåller beskrivningar av de lagrade temperaturprogrammen för DRB 200.

**Tabell 3 Lagrade program – LT 200**

Program	Beskrivning
COD	Höjer provcellernas temperatur till 148 °C under 120 minuter. Under kylfasen hörs fyra pipsignaler när provcellerna håller 80 °C. Ta bort provcellerna och vänd dem upp och ned försiktigt flera gånger innan de får svalna i ett rack. COD-temperaturprogrammet kan användas för alla COD-provcellstester.
100 °C	Höjer provcellernas temperatur till 100 °C under 10, 60 eller 120 minuter. Temperaturprogrammet "100 °C, 60 minuter" används exempelvis för att: <ul style="list-style-type: none"> <li>• Identifiera fosfat och krom</li> <li>• Digestera tungmetaller</li> <li>• Digestera prover med LCW 902 Crack Set</li> </ul>
40 °C	Höjer provcellernas temperatur till 40 °C under 10 minuter. Temperaturprogrammet "40 °C, 10 minuter" används exempelvis för formaldehydtester och enzymatiska livsmedelstester.

**Tabell 4 Lagrade program – DRB 200**

Program	Beskrivning
COD	Höjer provcellernas temperatur till 150 °C under 120 minuter. Under kylfasen hörs fyra pipsignaler när provcellerna håller 120 °C. Ta bort provcellerna och vänd dem upp och ned försiktigt flera gånger innan de får svalna i ett rack.
TOC	Höjer provcellernas temperatur till 105 °C under 120 minuter. TOC-temperaturprogrammet kan användas för alla Hach TOC-provcellstester.

**Tabell 4 Lagrade program – DRB 200 (fortsättning)**

Program	Beskrivning
100 °C	Höjer provcellernas temperatur till 100 °C under 30, 60 eller 120 minuter. Temperaturprogrammet "100 °C, 60 minuter" används exempelvis för att: <ul style="list-style-type: none"> <li>• Digestera prover med Metal Prep Set</li> <li>• Identifiera fosfat och krom</li> <li>• Digestera tungmetaller</li> </ul>
105 °C	Höjer provcellernas temperatur till 105 °C under 30, 60 eller 120 minuter.
150 °C	Höjer provcellernas temperatur till 150 °C under 30, 60 eller 120 minuter.
165 °C	Höjer provcellernas temperatur till 165 °C under 30, 60 eller 120 minuter.

## Användarprogram

LT 200 har sex temperaturprogram som konfigureras av användaren (PRG1-PRG6). DRB 200 har tre temperaturprogram som konfigureras av användaren (PRG1-PRG3).

Konfigurera ett temperaturprogram:

1. Välj ett temperaturprogram med hjälp av knapparna.
2. Tryck på **Prog** för att gå till programmeringsläget.
3. Välj ett namn med 4 tecken för programmet. Tryck på den vänstra knappen för att byta tecken. Tryck på höger pilknapp för att flytta markören till nästa position. Tryck på **OK** för att spara ändringen.
4. Tryck på eller håll ned knappen med uppåt- eller nedåtpil för att ställa in temperaturen (37 till 150 °C). Tryck på **OK** för att spara ändringen.
5. Tryck på eller håll ned knappen med uppåt- eller nedåtpil för att ställa in tiden (0 till 480 minuter). Tryck på **OK** för att spara ändringen.
6. Tryck på **OK** för att spara programmet.



## Underhåll

### ▲ FÖRSIKTIGHET



Flera risker. Endast kvalificerad personal får utföra de moment som beskrivs i den här delen av dokumentet.

### ANMÄRKNING:

Ta inte isär instrumentet för att utföra underhåll. Kontakta tillverkaren om de inre delarna behöver rengöras eller repareras.

## Rengör instrumentet

Håll instrumentet rent för kontinuerlig och exakt drift.

### ▲ FÖRSIKTIGHET



Brandfara. Använd inte antändliga medel vid rengöring av instrumentet.

### ▲ FÖRSIKTIGHET



Risk för brännskada. Rengör inte instrumentet när det är varmt.

### ANMÄRKNING:

Förhindra skador på instrumentet genom att inte använda rengöringsmedel som terpentin, aceton eller liknande produkter vid rengöring av instrumentet inklusive displayen.

1. Slå av instrumentet och dra ur nätsladden.
2. När instrumentet är svalt rengörs dess yta med en mjuk, fuktad trasa och mild tvällösning. Se till att inget vatten tränger in i instrumentet.

Om vätskan i en provcell spills ut eller om en provcell går sönder:

1. Slå av instrumentet och dra ur nätsladden.
2. Låt uppvärmningsblockets/-blockens och provcellernas temperatur sjunka tills de har svalnat.

3. Avlägsna vätskan med en pipett. Låt inte vätskan komma i kontakt med huden.
4. Kasserar vätskan på rätt sätt.
5. Ta bort trasigt glas med en pincett. Avlägsna eventuell kvarvarande vätska på instrumentet. Låt inte vätskan komma i kontakt med huden.

## Mäta uppvärmningsblockets temperatur

Mät uppvärmningsblockets temperatur för att se till att rätt temperatur visas på displayen.

Temperaturen som visas på displayen på temperaturen i en stängd provcell som är fylld med vätska. Medan uppvärmningsblockets temperatur stiger kan uppvärmningsblockets temperatur i närheten av värmaren vara högre än temperaturen som visas på displayen.

Verktyg som behövs:

- Provcell (LT 200: LCW906, DRB 200: 2275800)
- Glycerol (vattenfri), 5 ml
- Termometer, rörtyyp, kalibrerad för 95 till 155 °C (203 till 311 °F), typ 67C till ASTM

Mäta uppvärmningsblockets temperatur:

1. Fyll en ren, tom provcell med glycerol som håller rumstemperatur.
2. Sänk ned termometern i provcellen tills den kommer i kontakt med provcellens botten.
3. LT 200: Se till att glycerolnivån är 62 mm ± 0,5 mm (2,44 tum ± 0,02 tum) från provcellens botten när termometern är i provcellen.
4. DRB 200: Se till att glycerolnivån är 56 mm ± 0,5 mm (2,20 tum ± 0,02 tum) från provcellens botten när termometern är i provcellen.
5. Placera provcellen i mittöppningen i uppvärmningsblockets andra rad.

6. Starta ett temperaturprogram för 100 °C under 60 minuter med hjälp av knapparna och tryck sedan på **OK**.
7. När uppvärmningsblocket har uppnått vald temperatur (två pipsignaler hörs) ska termometerns temperatur vara samma som den temperatur som visas på displayen.

## Felsökning

I **Tabell 5** finns uppgifter om felmeddelanden, tänkbara orsaker och korrigerande åtgärder.

**Tabell 5 Felmeddelanden**

fel	Lösning
FÖR VARMT BLOCK! VÄNTA	Uppvärmningsblockets temperatur är högre än vald temperatur. Vänta tills uppvärmningsblockets temperatur har sjunkit.
IGNGKÄRNINGSFEL	Instrumentet är defekt. Kontakta kundtjänst.

## Reservdelar och tillbehör

### ▲ VARNING



Risk för personskada. Användning av icke godkända delar kan orsaka personskador eller skador på maskinen eller utrustningen. Reservdelar i detta avsnitt är godkända av tillverkaren.

**Observera:** Produkt- och artikelnummer kan variera i olika försäljningsregioner. Kontakta lämplig återförsäljare eller se företagets webbsida för att få kontaktinformation.

### Reservdelar

Beskrivning	Antal	Produktnr.
Skyddskåpa	1	LZT048

### Tillbehör – DRB 200

Beskrivning	Antal	Produktnr.
Adapter för minskning från 20 till 16 mm	1	HHA155
Adapter för minskning från 16 till 13 mm	1	2895805
Rör, 16 x 100 mm	1	2275800
Rör, 16 x 100 mm	6	2275806
Termometer, 0 till 200 °C	1	4565500

## Sisällysluettelo

[Tekniset tiedot](#) sivulla 115

[Yleistietoa](#) sivulla 115

[Asennus](#) sivulla 117

[Käyttöliittymä ja selaaminen](#)  
sivulla 119

[Käynnistys](#) sivulla 120

[Käyttö](#) sivulla 120

[Huolto](#) sivulla 123

[Vianmääritys](#) sivulla 124

[Varaosat ja lisävarusteet](#) sivulla 124

## Tekniset tiedot

Tekniset tiedot voivat muuttua ilman ennakkoilmoitusta.

Ominaisuus	Tiedot
Mitat	25 x 14,5 x 31 cm (9,8 x 5,7 x 12,2 tuumaa)
Paino	Yksi lämmityslohko: 2 kg (4,4 lb) Kaksi lämmityslohkoa: 2,8 kg (6,17 lb)
Tehovaatimukset	100–240 V, +5 %/–15 %, 50/60 Hz, suojausluokka I
Syöttöteho	Yksi lämmityslohko: 115 V: 300 VA, 230 V: 450 VA Kaksi lämmityslohkoa: 115 V: 600 VA, 230 V: 900 VA
Säilytyslämpötila	–40...+60 °C (–40...+140 °F)
Käyttölämpötila	10–45 °C (50–113 °F)
Käyttöympäristön kosteus	90 % (tiivistymätön)
Lämpötila-alue	LT 200: 37...150 °C (98,6...302 °F) DRB 200: 37...165 °C (98,6...329 °F) Ajastin: 0–480 minuuttia
Lämpötilan vakaus	LT 200: ±1 °C (±2 °F) DRB 200: ±2 °C (±3,5 °F)

Ominaisuus	Tiedot
Lämmitysnopeus	LT 200: 20 °C:sta 148 °C:seen (68 °F:sta 298 °F:seen) 10 minuutissa (standardin DIN 38409-44 mukaan) DRB 200: 20 °C:sta 150 °C:seen (68 °F:sta 302 °F:seen) 10 minuutissa
Sertifiointi	CE ja cTUVus

## Yleistietoa

Valmistaja ei ole missään tapauksessa vastuussa suorista, epäsuorista, erityisistä, tuottamuksellisista tai välillisistä vahingoista, jotka johtuvat mistään tämän käyttöohjeen virheestä tai puutteesta. Valmistaja varaa oikeuden tehdä tähän käyttöohjeeseen ja kuvaamaan tuotteeseen muutoksia koska tahansa ilman eri ilmoitusta tai velvoitteita. Päivitetyt käyttöohjeet ovat saatavana valmistajan verkkosivuilta.

## Turvallisuustietoa

### HUOMAUTUS

Valmistaja ei ole vastuussa mistään virheellisestä käytöstä aiheuvista vahingoista mukaan lukien rajoituksetta suorista, satunnaisista ja välillisistä vahingoista. Valmistaja sanoutuu irti tällaisista vahingoista soveltuvien lakien sallimissa rajoissa. Käyttäjä on yksin vastuussa sovellukseen liittyvien kriittisten riskien arvioinnista ja sellaisten asianmukaisten mekanismien asentamisesta, jotka suojaavat prosesseja laitteen toimintahäiriön aikana.

Lue nämä käyttöohjeet kokonaan ennen tämän laitteen pakkauksesta purkamista, asennusta tai käyttöä. Kiinnitä huomiota kaikkiin vaara- ja varoitusilausekkeisiin. Niiden laiminlyönti voi johtaa käyttäjän vakavaan vammaan tai laitteistovaurioon.

Jotta laitteen suojaus ei heikentyisi, sitä ei saa käyttää tai asentaa muuten kuin näissä ohjeissa kuvatulla tavalla.

## Vaaratilanteiden merkintä

<b>▲ VAARA</b>
Ilmoittaa mahdollisesti vaarallisesta tai välittömän vaaran aiheuttavasta tilanteesta, joka aiheuttaa kuoleman tai vakavan vamman.



<b>▲ VAROITUS</b>
Osoittaa potentiaalisesti tai uhkaavasti vaarallisen tilanteen, joka, jos sitä ei vältetä, voisi johtaa kuolemaan tai vakavaan vammaan.



<b>▲ VAROIMI</b>
Ilmoittaa mahdollisesti vaarallisesta tilanteesta, joka voi aiheuttaa lievän tai kohtalaisen vamman.

<b>HUOMAUTUS</b>
Ilmoittaa tilanteesta, joka saattaa aiheuttaa vahinkoa laitteelle. Tieto, joka vaatii erityistä huomiota.

## Varoitustarrat

Lue kaikki laitteen tarrat ja merkinnät. Ohjeiden laiminlyönnistä voi seurata henkilövamma tai laitevaurio. Symboli, jos merkitty kojeeseen, sisällytetään vaara- tai varoimilauseuman kanssa käyttöohjeisiin.

	Tämä symboli, jos se on merkitty kojeeseen, viittaa kojeen käsikirjaan käyttö- ja/tai turvallisuustietoja varten.
	Sähkölaitteita, joissa on tämä symboli, ei saa hävittää yleisille tai kotitalousjätteille tarkoitetuissa eurooppalaisissa jätteiden hävitysjärjestelmissä. Vanhat tai käytöstä poistetut laitteet voi palauttaa maksutta valmistajalle hävittämistä varten.

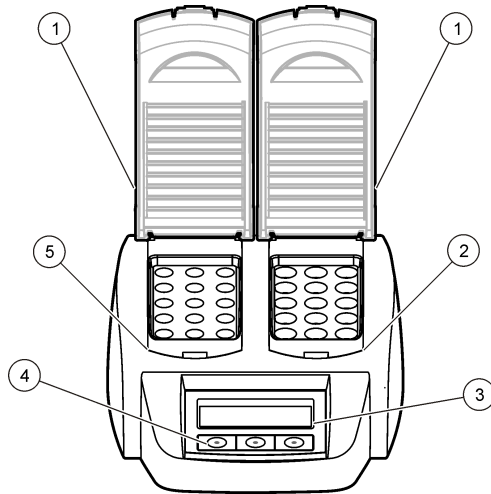
	Tämä symboli merkitsee, että merkitty esine voi olla kuuma ja sitä on käsiteltävä varoen.
	Tämä symboli tarkoittaa, että merkityssä tuotteessa on käytettävä suojaavaa maadoitusta. Jos laitteen virtajohdossa ei ole maadoituspistoketta, yhdistä laite suojamaajohtimen liittimeen.

## Tuotteen yleiskuvaus

Laitteessa on yksi tai kaksi lämmityslohkoa, jotka lämmittävät liuoksia pyöreissä näytekyveteissä valittuun lämpötilaan valitun pituisen ajan (Kuva 1).

LT 200 -laitteeseen on määritetty valmiiksi kolme lämmitysohjelmaa, ja käyttäjä voi lisäksi määrittää ja tallentaa kuusi omaa lämmitysohjelmaa. DRB 200 -laitteeseen on määritetty valmiiksi kuusi lämmitysohjelmaa, ja käyttäjä voi lisäksi määrittää ja tallentaa kolme omaa lämmitysohjelmaa.

Kuva 1 Näkymä edestä



1 Suojakansi	3 Näyttö	5 Vasen lämmityslohko
2 Oikea lämmityslohko	4 Painikkeet	

## Asennus

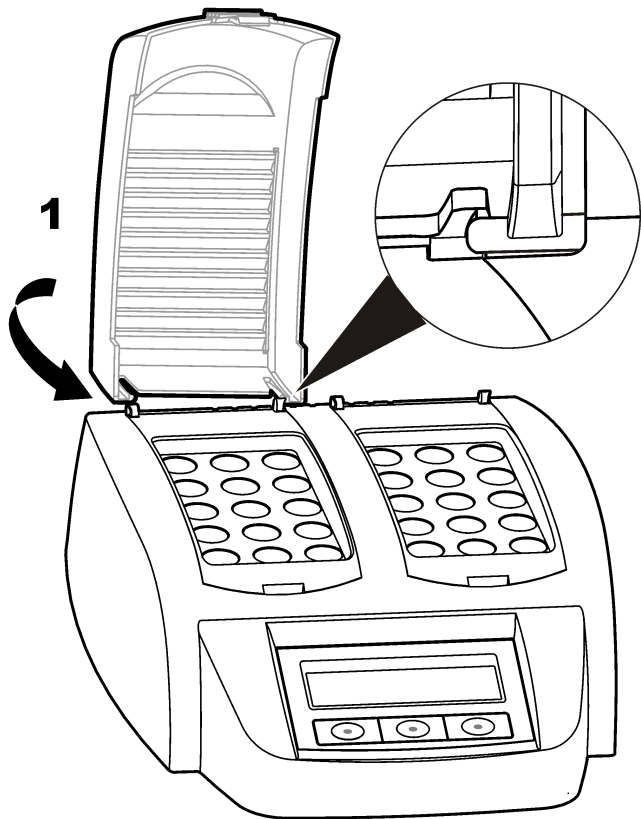
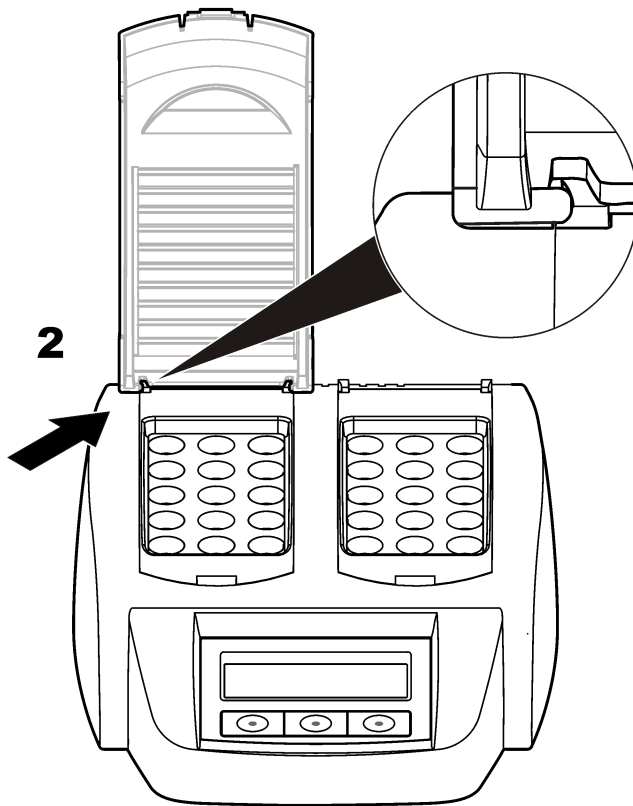
### Suojakansien asentaminen

#### ⚠ VAROITUS



Sähköiskun ja palovammojen vaara. Suojakansi on asennettava henkilövahinkojen välttämiseksi. Suojakansi estää palovammat ja kosketukset lämmityslohkon virtajohtoon.

Lue seuraavat kuvaohjeet.

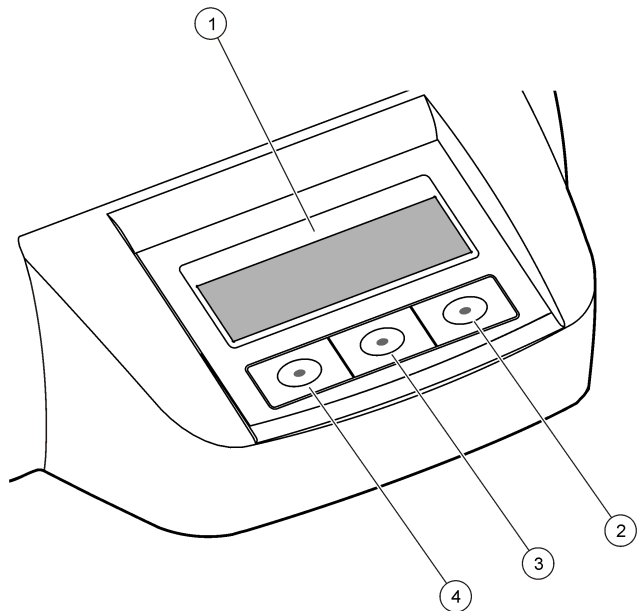
**1****2**

## Käyttöliittymä ja selaaminen

### Käyttöliittymä

Laitetta ohjataan näytön alapuolella olevilla kolmella painikkeella ( Kuva 2). Kunkin painikkeen toiminnot näkyvät näytössä. Jos painikkeen kohdalla ei näy toimintoja, painike ei ole sillä hetkellä käytettävissä.

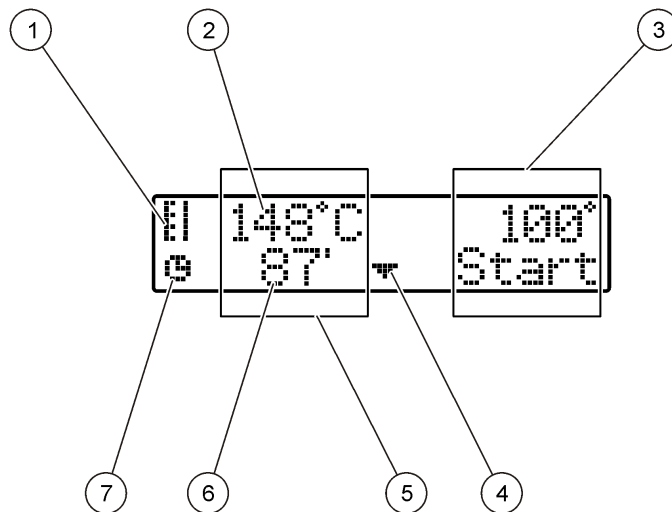
Kuva 2 Näppäimistön kuvaus



1 Näyttö	3 Keskipainike
2 Oikea painike	4 Vasen painike

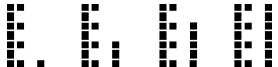


### Näytön kuvaus

Kuva 3 Näyttönäkymä, kun ohjelma on käynnissä vain vasemmassa lämmityslohkossa.



1 Lämpömittarin symboli	5 Vasen lämmitysloikko
2 Lämmitysloikon lämpötila	6 Jäljellä oleva aika
3 Oikea lämmitysloikko	7 Ajustimen symboli
4 Alanuolipainike (ohjelman valitsemiseen)	

**Taulukko 1 Lämpömittarin symbolit**

Symboli	Kuvaus
	Lämmityslohkon lämpötila nousee
	Lämmityslohkon tavoitelämpötila on saavutettu
	Lämmityslohkon lämpötila laskee

## Käynnistys

### Virran kytkeminen laitteeseen

#### HUOMAUTUS

Älä sammuta ja käynnistä laitetta nopeasti peräkkäin, sillä se saattaa vahingoittaa laitetta. Odota aina noin 20 sekuntia ennen laitteen käynnistämistä uudelleen.

1. Aseta laite tasaiselle, lämmönkestävälle alustalle.
2. Liitä virtajohto laitteen takaosan virtaliitäntään.
3. Liitä virtajohto maadoitettuun pistorasiaan.
4. Käynnistä laite painamalla laitteen takaosan virtapainiketta.  
Kun laitteen virta kytketään ensimmäistä kertaa, kielivalintaikkuna tulee näkyviin. Katso kohta [Valitse kieli](#) sivulla 120.

### Valitse kieli

1. Pidä vasenta painiketta painettuna ja kytke laitteeseen virta.
2. Selaa valikkoa painamalla oikeanpuoleista nuolipainiketta. Valikon lopussa näyttö siirtyy takaisin valikon alkuun.

3. Kun oikea kieli näkyy valikossa, paina painiketta. Katso kohta [Taulukko 2](#).

**Taulukko 2 Kieliasetukset**

Asetus	Language (Kieli)	Asetus	Language (Kieli)
FI	Suomi	E	Espanja
D	Saksa	NL	Hollanti
F	Ranska	S	Ruotsi
I	Italia	PL	Puola

## Näytön kontrastin säätäminen

1. Pidä keskimmäistä painiketta painettuna ja kytke laitteeseen virta.
2. Voit säätää kontrastia painamalla ylä- ja alanuolipainikkeita tai pitämällä niitä painettuna.
3. Tallenna muutos valitsemalla **OK**.

## Käyttö

### ▲ VAARA



Kemikaalille altistumisen vaara. Noudata laboratorion turvallisuusohjeita ja käytä käsiteltäville kemikaaleille soveltuvia suojavarusteita. Lue turvallisuusprotokollat ajan tasalla olevista käyttöturvatiiedoista (MSDS/SDS).



## Rutiinikäyttö

### ▲ VAROITIMI



Palovammojen vaara. Älä työnä sormia lämmityslohkon aukkoon. Sulje suojakansi ennen lämmityslohkon lämmityksen aloittamista ja pidä kansi aina suljettuna käytön aikana.



### VAROTOIMI



Palovammojen vaara. Näytekyvetit ovat kuumia. Pukeudu lämpöä eristäviin vaatteisiin (esim. käsineet tai sormisuojaukset). Älä irrota näytekyvettä, jos sen lämpötila on yli 80 °C. Älä aseta kolorimetriin näytekyvettä, jonka lämpötila on yli 80 °C.

### VAROTOIMI



Kemikaalien aiheuttama vaara. Jos näytekyvetti rikkoutuu, älä anna nesteen koskettaa ihoa. Työskentele tarvittaessa vetokaapissa, joka poistaa kemikaalihöyryt.

### VAROTOIMI



Kemikaalille altistumisen vaara. Hävitä kemikaalit ja muut jätteet paikallisten ja kansallisten säädösten mukaisesti.

### HUOMAUTUS

Voit estää näytekyvetin ja laitteen vahingoittumisen pitämällä lämmityslohkon aukot kuivina. Kuivaa näytekyvettien ulkopinta huolellisesti.

### HUOMAUTUS

Voit estää laitteen rikkoutumisen katkaisemalla virran välittömästi, jos nestettä roiskuu tai jos näytekyvetti rikkoutuu, ja puhdistamalla sitten laitteen huolellisesti. Katso kohta [Laitteen puhdistaminen](#) sivulla 123.

### HUOMAUTUS

Älä peitä suojakannen ilmanvaihtaukkoja. Muutoin laite ja näytekyvetit saattavat kuumentua liikaa, mikä vääristää mittaustulosta.

1. Valmisteletestinäytekyvetit analyysimenetelmän edellyttämällä tavalla.
2. Sulje näytekyvetit korkeilla.
3. Kuivaa näytekyvettien ulkopinta huolellisesti.
4. Kytke laitteeseen virta ja avaa suojakansi. Viimeksi valitut lämmitysohjelmat näkyvät näytössä.
5. Jos käytössä on 16 mm putki ja lämmityslohkon aukkojen koko on 20 mm, käytä aukoissa supistussovittimia.

6. LT 200: aseta näytekyvetit oikeaan lämmityslohkoon ja sulje suojakansi.
7. Valitse oikea lämmitysohjelma (ja tarvittaessa lämmitysaika) painikkeilla ja valitse sitten **Start** (Käynnistä). Katso [Tallennetut ohjelmat](#) sivulla 121. Jos lämmityslohkoja on kaksi, lämmitysohjelma valitaan kummallekin lohkolle erikseen.

**Huomautus:** Voit lopettaa ohjelman painamalla ohjelmavaihtoehdon alapuolella näkyvää painiketta kaksi kertaa.

LT 200: Hajotusohjelma käynnistyy. Kun lämmityslohkon lämpötila on noussut valittuun lämpötilaan, ajastin aloittaa automaattisesti laskennan nolaa (0) kohti. Kun hajotusohjelma on päättynyt, laitteesta kuuluu kolme piippausta ja lämmittimen virta katkeaa.

DRB 200: lämmityslohkon lämpötila nousee valittuun lämpötilaan.

8. DRB 200: Kun lämmityslohko on saavuttanut valitun lämpötilan (kuuluu kaksi piippausta), aseta testinäytekyvetit oikeisiin lämmityslohkoihin ja sulje suojakansi. Käynnistä hajotusohjelma valitsemalla **Start** (Käynnistä).

Kun hajotusohjelma on päättynyt, laitteesta kuuluu kolme piippausta ja lämmittimen virta katkeaa.

## Tallennetut ohjelmat

[Taulukko 3](#) näyttää tallennettujen lämmitysohjelmien tiedot LT 200 -laitteelle. [Taulukko 4](#) näyttää tallennettujen lämmitysohjelmien tiedot DRB 200 -laitteelle.

**Taulukko 3 Tallennetut ohjelmat – LT 200**

Ohjelma	Kuvaus
COD	Nostaa näytekennojen lämpötilan 148 °C:een 120 minuutissa. Jäähdytysvaiheessa laitteesta kuuluu neljä piippausta, kun näytekennojen lämpötila on 80 °C. Poista ja käännä näytekennoja useita kertoja ja jätä ne telineeseen jäähdytymään. COD-lämmitysohjelmaa voi käyttää kaikissa COD-näytekennotesteissä.
100 °C	Nostaa näytekennojen lämpötilan 100 °C:een 10, 60 tai 120 minuutissa. Esimerkiksi 100 °C / 60 min -ohjelmaa käytetään seuraaviin tarkoituksiin: <ul style="list-style-type: none"> <li>fosfaatin ja kromin määrittäminen</li> <li>raskasmetallien liuottaminen</li> <li>näytteiden liuottamiseen LCW902-krakkaussetin avulla.</li> </ul>
40 °C	Nostaa näytekennojen lämpötilan 40 °C:een 10 minuutissa. Esimerkiksi 40 °C/10 min -ohjelmaa käytetään formaldehydin testaamiseen tai entsyymaattisiin elintarviketesteihin.

**Taulukko 4 Tallennetut ohjelmat – DRB 200**

Ohjelma	Kuvaus
COD	Nostaa näytekennojen lämpötilan 150 °C:seen 120 minuutissa. Jäähdytysvaiheessa laitteesta kuuluu neljä piippausta, kun näytekennojen lämpötila on 120 °C. Näytekennot on poistettava ja käännettävä useita kertoja, ennen kuin voit asettaa ne telineeseen jäähdytymään.
TOC	Nostaa näytekennojen lämpötilan 105 °C:seen 120 minuutissa. TOC-lämmitysohjelmaa voi käyttää kaikissa Hach TOC -näytekennotesteissä.

**Taulukko 4 Tallennetut ohjelmat – DRB 200 (jatk.)**

Ohjelma	Kuvaus
100 °C	Nostaa näytekennojen lämpötilan 100 °C:seen 30, 60 tai 120 minuutissa. Esimerkiksi 100 °C / 60 min -ohjelmaa käytetään seuraaviin tarkoituksiin: <ul style="list-style-type: none"> <li>näytteiden liuottaminen metallien valmistusarjan avulla</li> <li>fosfaatin ja kromin määrittäminen</li> <li>raskasmetallien liuottaminen</li> </ul>
105 °C	Nostaa näytekennojen lämpötilan 105 °C:seen 30, 60 tai 120 minuutissa.
150 °C	Nostaa näytekennojen lämpötilan 150 °C:seen 30, 60 tai 120 minuutissa.
165 °C	Nostaa näytekennojen lämpötilan 165 °C:seen 30, 60 tai 120 minuutissa.

### Käyttäjän ohjelmat

LT 200 -laitteessa on kuusi käyttäjän määritettävissä olevaa lämmitysohjelmaa (PRG1–PRG6). DRB 200 -laitteessa on kolme käyttäjän määritettävissä olevaa lämmitysohjelmaa (PRG1–PRG3).

Käyttäjän lämmitysohjelman määrittäminen:

1. Valitse käyttäjän määrittämä lämmitysohjelma painikkeilla.
2. Siirry ohjelmointitilaan painamalla painiketta **Prog** (Ohjelmoi).
3. Valitse ohjelmalle 4-kirjaiminen nimi. Voit muuttaa merkkejä painamalla vasenta painiketta. Voit siirtää kohdistimen seuraavaan kohtaan painamalla oikeaa painiketta. Tallenna muutos valitsemalla **OK**.
4. Aseta lämpötila (37–150 °C) pitämällä ylä- ja alanuolipainikkeita painettuna. Tallenna muutos valitsemalla **OK**.
5. Aseta aika (0–480 minuuttia) pitämällä ylä- ja alanuolipainikkeita painettuna. Tallenna muutos valitsemalla **OK**.
6. Tallenna ohjelma valitsemalla **OK**.

## Huolto

### ▲ VAROTOIMI



Useita vaaroja. Vain ammattitaitoinen henkilö saa suorittaa käyttöohjeen tässä osassa kuvatut tehtävät.

### HUOMAUTUS

Älä pura laitetta huoltamista varten. Jos laitteen sisällä olevia osia on puhdistettava tai korjattava, ota yhteys valmistajaan.

## Laitteen puhdistaminen

Pidä laite puhtaana, jotta se toimii aina ja tarkasti.

### ▲ VAROTOIMI



Tulipalon vaara. Älä käytä laitteen puhdistamiseen herkästi syttyviä aineita.

### ▲ VAROTOIMI



Palovammojen vaara. Älä puhdistaa laitetta, kun se on kuuma.

### HUOMAUTUS

Älä puhdistaa laitetta tai sen näyttöä tärpätillä, asetonilla tai niiden kaltaisilla aineilla, sillä ne saattavat vahingoittaa laitetta.

1. Katkaise laitteen virta ja irrota virtajohto.
2. Kun laite on jäähtynyt, puhdistaa pinta pehmeällä, laimeaan saippuaveteen kostutetulla liinalla. Toimi niin, ettei näytekyvetistä roisku nestettä laitteen päälle.

Jos näytekyvetistä roiskuu nestettä tai näytekyvetti rikkoutuu, noudata alla olevia ohjeita.

1. Katkaise laitteesta virta ja irrota virtajohto.
2. Anna lämmityslohkojen ja näytekyvetin jäähtyä kunnolla.

3. Poista neste pipetillä. Älä päästä nestettä kosketuksiin ihon kanssa.
4. Hävitä neste asianmukaisesti.
5. Poista lasinpalat pinseteillä. Poista laitteesta kaikki jäljellä oleva neste. Älä päästä nestettä kosketuksiin ihon kanssa.

## Lämmityslohkon lämpötilan mittaaminen

Varmista mittaamalla lämmityslohkon lämpötila, että näytön ilmoittama lämpötila on oikein.

Näytössä näkyvä lämpötila tarkoittaa suljetun, nesteellä täytetyn näytekyvetin lämpötilaa. Kun lämmityslohkon lämpötila nousee, lämmittimen lähellä sijaitsevan lämmityslohkon lämpötila saattaa olla näytössä näkyvää astelukua korkeampi.

Tarvittavat työkalut:

- Näytekyvetti (LT 200: LCW906, DRB 200: 2275800)
- Glyseriini (vedetön), 5 ml
- Lämpömittari, puikkoanturi, kalibroitu lämpötila-alue 95–155 °C (203–311 °F), tyyppi 67C, ASTM

Lämmityslohkon lämpötilan mittaaminen:

1. Täytä puhtas, tyhjä näytekyvetti huoneenlämpöisellä glyseriinillä.
2. Aseta lämpömittari näytekyvettiin siten, että lämpömittari ulottuu näytekyvetin pohjaan.
3. LT 200: varmista, että glyseriinin pinnan korkeus on 62 mm ± 0,5 mm (2,44 in ± 0,02 in) näytekyvetin pohjasta, kun lämpömittari on asetettuna näytekyvettiin.
4. DRB 200: varmista, että glyseriinin pinnan korkeus on 56 mm ± 0,5 mm (2,20 in ± 0,02 in) näytekyvetin pohjasta, kun lämpömittari on asetettuna näytekyvettiin.
5. Aseta näytekyvetti lämmityslohkon toisen rivin keskimmäiseen aukkoon.
6. Käynnistä painikkeilla 100 °C/60 min -lämmitysohjelma ja paina sitten **OK**-painiketta.
7. Kun lämmityslohko on saavuttanut valitun lämpötilan (kuuluu kaksi piippausta), lämpömittarin ja näytön lämpötilan pitäisi olla sama.

## Vianmääritys

Lisätietoja virheviesteistä, virheiden mahdollisista syistä ja korjaustoimenpiteistä on kohdassa [Taulukko 5](#).

**Taulukko 5 Virheilmoitukset**

Virhe	Ratkaisu
BLOCK IS TOO HOT! (LOHKO ON LIIAN KUUMAI!) PLEASE WAIT (ODOTA)	Lämmityslohkon lämpötila on korkeampi kuin valittu lämpötila. Odota, että lämmityslohko jäähtyy.
INIT ERROR (ALUSTUSVIRHE)	Laite ei toimi. Ota yhteys asiakaspalveluun.

## Varaosat ja lisävarusteet

### ▲ VAROITUS



Henkilövahinkojen vaara. Hyväksymättömien osien käyttö voi aiheuttaa henkilövahingon tai laitteen toimintahäiriön tai vaurioittaa laitetta. Tässä osassa esitellyt varaosat ovat valmistajan hyväksymiä.

**Huomautus:** Tuote- ja artikkelinumerot voivat vaihdella joillain markkina-alueilla. Ota yhteys asianmukaiseen jälleenmyyjään tai hae yhteystiedot yhtiön Internet-sivustolta.

### Varaosat

Kuvaus	Määrä	Osanumero
Suojakansi	1	LZT048

### Lisävarusteet – DRB 200

Kuvaus	Määrä	Osanumero
Supistusoviitin, 20 > 16 mm	1	HH1155
Supistusoviitin, 16 > 13 mm	1	2895805
Putki, 16 x 100 mm	1	2275800

### Lisävarusteet – DRB 200 (jatk.)

Kuvaus	Määrä	Osanumero
Putki, 16 x 100 mm	6	2275806
Lämpömittari, 0–200 °C	1	4565500

## Съдържание

Спецификации на страница 125	Операция на страница 131
Обща информация на страница 125	Поддръжка на страница 133
Инсталиране на страница 127	Отстраняване на повреди на страница 134
Потребителски интерфейс и навигация на страница 129	Резервни части и принадлежности на страница 135
Включване на страница 130	

## Спецификации

Спецификациите подлежат на промяна без уведомяване.

Спецификация	Подробности
Размери	25 X 14,5 X 31 см (9,8 X 5,7 X 12,2 инча)
Тегло	Единичен нагревателен блок: 2 кг (4,4 lb) Двоен нагревателен блок: 2,8 кг (6,17 lb)
Изисквания към захранването	100 – 240 V, +5%/-15%, 50/60 Hz, Клас на защита I
Вход за захранване	Единичен нагревателен блок: 115 V: 300 VA; 230 V: 450 VA Двоен нагревателен блок: 115 V: 600 VA; 230 V: 900 VA
Температура на съхранение	от -40 до +60°C (от -40 до +140°F)
Работна температура	от 10 до 45°C (от 50 до 113°F)
Работна влажност	90% (без кондензация)
Температурен диапазон	LT 200: От 37 до 150°C (от 98,6 до 302°F) DRB 200: От 37 до 165°C (98,6 до 329°F)
	Таймер: от 0 до 480 минути

Спецификация	Подробности
Устойчивост на температурата	LT 200: $\pm 1^{\circ}\text{C}$ ( $\pm 2^{\circ}\text{F}$ ) DRB 200: $\pm 2^{\circ}\text{C}$ ( $\pm 3.5^{\circ}\text{F}$ )
Скорост на загряване	LT 200: От 20 до 148°C (от 68 до 298°F) след 10 минути (съгласно DIN 38409-44) DRB 200: От 20 до 150°C (от 68 до 302°F) след 10 минути
Сертифициране	CE и cTUVus

## Обща информация

При никакви обстоятелства производителят няма да носи отговорност за преки, непреки, специални, инцидентни или последващи щети, които са резултат от дефект или пропуск в това ръководство. Производителят си запазва правото да прави промени в това ръководство и в описаните в него продукти във всеки момент и без предупреждение или поемане на задължения. Коригираните издания можете да намерите на уебсайта на производителя.

## Информация за безопасността

### Забележка

Производителят не носи отговорност за никакви повреди, възникнали в резултат на погрешно приложение или използване на този продукт, включително, без ограничения, преки, случайни или възникнали впоследствие щети, и се отхвърля всяка отговорност към такива щети в пълната позволена степен от действащото законодателство. Потребителят носи пълна отговорност за установяване на критични за приложението рискове и монтаж на подходящите механизми за подsigуряване на процесите по време на възможна неизправност на оборудването.

Моля, внимателно прочетете ръководството преди разопаковане, инсталиране и експлоатация на оборудването. Обръщайте внимание на всички твърдения за опасност и предпазливост. Пренебрегването им може да доведе до сериозни наранявания на оператора или повреда на оборудването.

(Уверете се, че защитата, осигурена от това оборудване, не е занижена. Не го използвайте и не го монтирайте по начин, различен от определения в това ръководство.

### Използване на информация за опасностите

#### **▲ ОПАСНОСТ**

Показва наличие на потенциална или непосредствена опасна ситуация, която, ако не бъде избегната, ще предизвика смъртоносно или сериозно нараняване.

#### **▲ ПРЕДУПРЕЖДЕНИЕ**

Указва потенциално или непосредствено опасна ситуация, която, ако не бъде избегната, може да доведе до смърт или сериозно нараняване.

#### **▲ ВНИМАНИЕ**



Показва наличие на потенциално опасна ситуация, която може да предизвика леко или средно нараняване.



#### **Забележка**

Показва ситуация, която ако не бъде избегната, може да предизвика повреда на инструмента. Информация, която изисква специално изтъкване.

### Предупредителни надписи

Прочетете всички надписи и етикети, поставени на инструмента. Неспазването им може да доведе до физическо нараняване или повреда на инструмента. Всеки символ, който е отбелязан върху инструмента, ще бъде включен в ръководството с декларация за опасност или предупреждение.

	Ако е отбелязан върху инструмента, настоящият символ означава, че е необходимо да се направи справка с ръководството за работа и/или информацията за безопасност.
	Електрическо оборудване, което е обозначено с този символ, не може да бъде изхвърляно в европейските частни или публични системи за изхвърляне на отпадъци. Оборудването, което е остаряло или е в края на жизнения си цикъл, трябва да се връща на производителя, без да се начисляват такси върху потребителя.

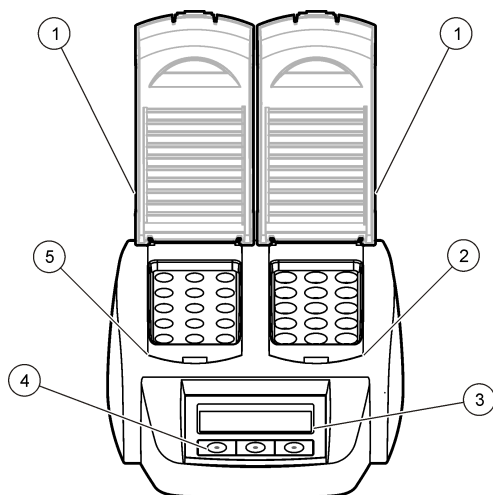
	Този символ обозначава, че маркираният елемент може да е нагорещен и трябва да се докосва с изключителна предпазливост.
	Този символ обозначава, че маркираният елемент изисква защитна заземена връзка. Ако инструментът не е снабден със заземен щепсел с кабел, изградете предпазна заземена връзка с предпазния терминал на проводника.

### Общ преглед на продукта

Този инструмент разполага с един или два нагревателни блока, които повишават температурата на разтворите в кръгли клетки за проби до определена температура за указан период от време (Фигура 1).

LT 200 разполага с три съхранени температурни програми и шест температурни програми, конфигурирани от потребителя и запазени. DRB 200 разполага с шест съхранени температурни програми и три температурни програми, конфигурирани от потребителя и запазени.

Фигура 1 Преден изглед



1	Защитен капак	3	Дисплей	5	Ляв нагревателен блок
2	Десен нагревателен блок	4	Клавиши		

## Инсталиране

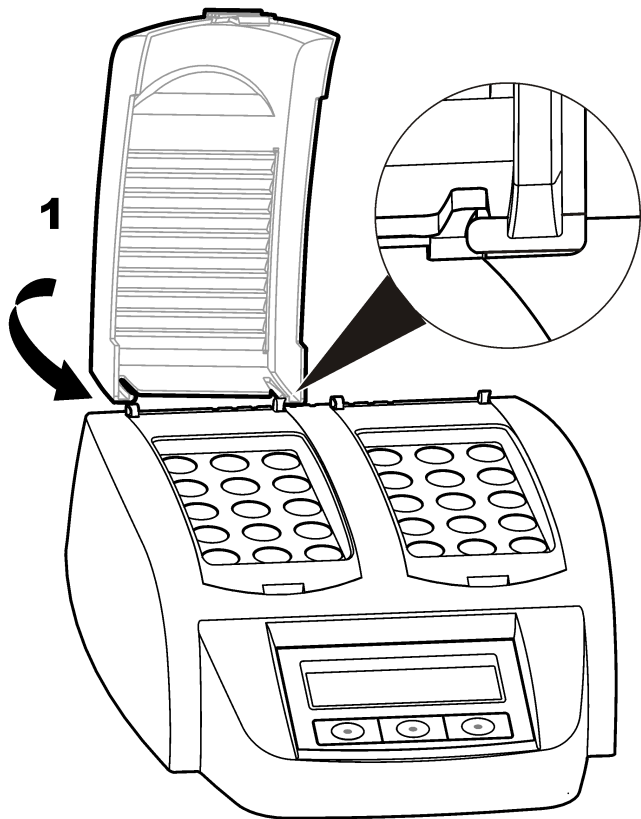
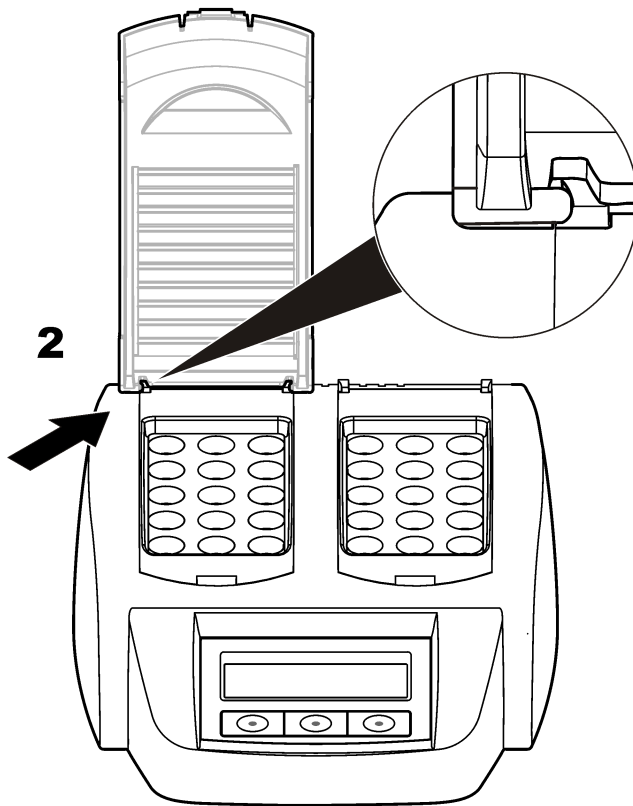
### Монтирайте защитните капаци

#### **▲ ПРЕДУПРЕЖДЕНИЕ**



Опасност от удар и изгаряне. Защитният капак трябва да се монтира, за да се предотврати риска от нараняване. Защитният капак предотвратява изгаряния и влизане в контакт на хранящия кабел с нагревателния блок.

Направете справка с илюстрираните стъпки по-долу.

**1****2**

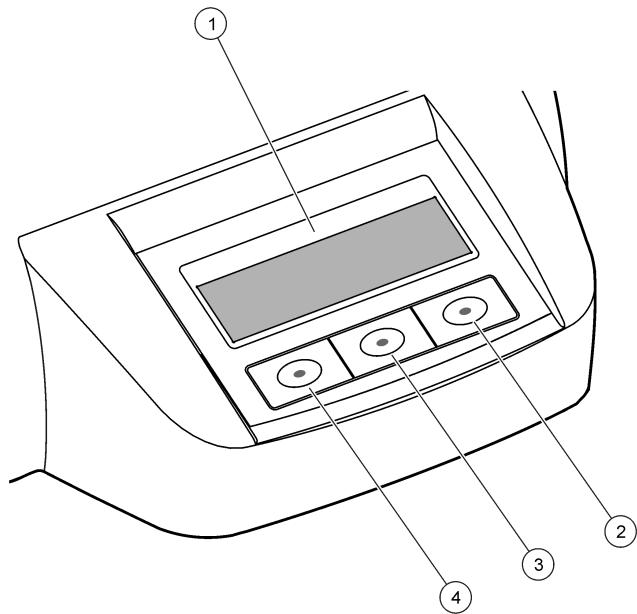


## Потребителски интерфейс и навигация

### Потребителски интерфейс

Инструментът се управлява чрез три клавиша, разположени под дисплея **Фигура 2** Функцията на всеки клавиш се показва на дисплея. Ако за даден клавиш няма никаква функция, този клавиш в момента не е активен.

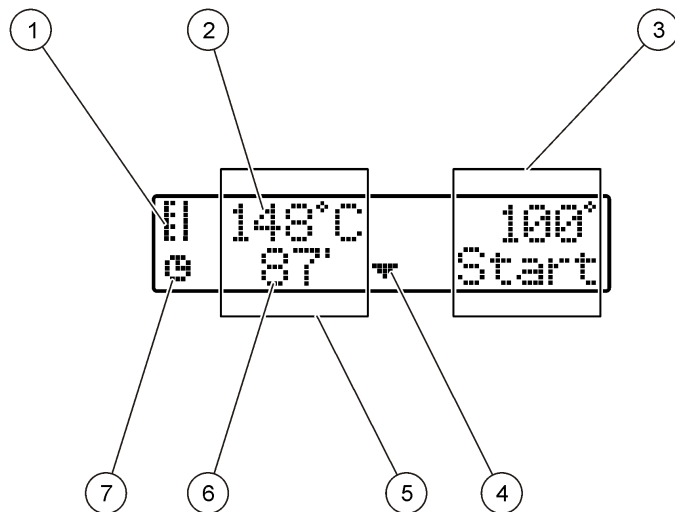
**Фигура 2** Описание на клавиатурата



1 Дисплей	3 Среден клавиш
2 Десен клавиш	4 Ляв клавиш

### Описание на дисплея

**Фигура 3** Екранен дисплей, когато има активна програма само на левия нагревателен блок



1 Символ на термометър	5 Ляв нагревателен блок
2 Температура на нагревателния блок	6 Оставачо време
3 Десен нагревателен блок	7 Символ на таймера
4 Кклавиш със стрелка надолу (използва се за избор на програма)	

Таблица 1 Символи на термометъра

Символ	Описание
	Нагревателният блок е с нарастваща температура.
	Нагревателният блок е с избраната температура.
	Нагревателният блок е с намаляваща температура.

## Включване

### Включете инструмента

#### Забележка

Не изключвайте и не включвайте инструмента бързо, тъй като това може да го повреди. Винаги изчаквайте около 20 секунди преди да включите инструмента отново.

1. Поставете инструмента върху устойчива, хоризонтална, топлоустойчива повърхност.
2. Включете захранващия кабел в щепсела на гърба на инструмента.
3. Включете захранващия кабел в гнездо със заземен контакт.
4. За да включите инструмента, натиснете захранващия бутон на гърба на инструмента.

При първото включване на инструмента се показва екран за избор на език. Направете справка с [Избор на език](#) на страница 130.

## Избор на език

1. Задръжте натиснат левия клавиш и включете инструмента.
2. Натиснете надолу десния клавиш със стрелка, за да преминете през менюто. Дисплеят се връща обратно на стартовото меню в края му.
3. След като се покаже правилния език, натиснете съответния за него клавиш. Направете справка с [Таблица 2](#).

Таблица 2 Настройки на езика

Настройка	Език	Настройка	Език
GB	Bulgarian	E	Испански
D	Немски	NL	Холандски
F	Френски	S	Шведски
I	Италиански	PL	Полски

## Настройте контраста на дисплея

1. Задръжте натиснат средния клавиш и включете инструмента.
2. За да промените стойността на контраста, натиснете или задръжте натиснати клавишите със стрелки нагоре и надолу.
3. За да запазите промените, натиснете клавиша **OK**.

## Операция

### ▲ ОПАСНОСТ



Опасност от химическа експлозия. Спазвайте лабораторните процедури за безопасност и носете пълното необходимо лично предпазно оборудване при боравене със съответните химически вещества. За информация относно протоколите по безопасност разгледайте информационните листи за безопасност на материала (MSDS/SDS).



## Рутинна операция

### ▲ ВНИМАНИЕ



Опасност от изгаряне. Не поставяйте пръста си в отвор на нагревателния блок. Затворете защитния капак преди да повишите температурата на нагревателния блок и винаги дръжте защитния капак затворен по време на работа.

### ▲ ВНИМАНИЕ



Опасност от изгаряне. Клетките за проби са горещи. Носете термален изолиращ материал (например ръкавици или крайници за пръстите). Не отстранявайте клетка за проби с температура над 80°C. Не поставяйте клетка за проби с температура над 80°C в колориметъра.

### ▲ ВНИМАНИЕ



Химическа опасност. Ако клетката за проби се счупи, не позволявайте течността да влиза в контакт с кожата. Ако е необходимо, използвайте димоотвод, за да отстраните химическите газове.

### ▲ ВНИМАНИЕ



Опасност от химическа експлозия. Изхвърляйте химическите и отпадни вещества в съответствие с местните, регионални и национални разпоредби.

### Забележка

За да предотвратите повреда на клетката за проби и инструмента, поддържайте отворите на нагревателния блок сухи. Подсушете напълно външната повърхност на клетките за проби.

### Забележка

За да предотвратите повреда на инструмента, незабавно го изключете, ако възникне неволно разливане или ако клетката за проби се счупи, след което почистете инструмента. Направете справка с [Почистете инструмента](#) на страница 133.

### Забележка

Не покривайте вентилационните отвори в защитния капак. Инструментът и клетките за проби може да се нагорещят прекалено много и да понижат точността на измерване.

1. Пригответе тестовите клетки за проби по указания в процедурата за анализ начин.
2. Затворете клетките за проби с капачката.
3. Подсушете напълно външната повърхност на клетките за проби.
4. Включете инструмента и вдигнете защитния капак. На дисплея се появява последната избрана температурна програма(и).
5. Ако използвате тръби с размер 16 мм с нагревателен блок с отвори с размер 20 мм, поставете смаляващи адаптери в отворите.
6. LT 200: Поставете тестовите клетки за проби в правилния нагревателен блок и затворете защитния капак.
7. Изберете правилната температурна програма (и период на извличане, ако е приложимо) с помощта на клавишите, след което натиснете **Start** (Старт). Направете справка с [Съхранени програми](#) на страница 132. Когато разполагате с два нагревателни блока, температурната програма се избира самостоятелно за всеки нагревателен блок.

**Забележка:** За да спрете програма, натиснете клавиша *под програмата два пъти*.

LT 200: Програмата за извличане започва. Температурата на нагревателния блок се покачва до избраната стойност, след което времето автоматично се отброява надолу до достигане на

нула (0). Когато програмата за извличане е завършена, прозвучават три звукови сигнала и нагревателят се изключва.

DRB 200: Температурата на нагревателния блок се увеличава до избраната температура.

8. DRB 200: Когато нагревателният блок достигне избраната температура (прозвучават два звукови сигнала), поставете тестовите клетки за проби в правилния нагревателен блок и затворете защитния капак. За да стартирате програмата за извличане, натиснете бутона **Start** (Старт).

Когато програмата за извличане е завършена, прозвучават три звукови сигнала и нагревателят се изключва.

## Съхранени програми

Таблица 3 осигурява описания на съхранените температурни програми за LT 200. Таблица 4 осигурява описания на съхранените температурни програми за DRB 200.

Таблица 3 Съхранени програми – LT 200

Програма	Описание
COD	Повишава температурата на клетките за проби до 148°C за 120 минути. По време на охлаждащата фаза се чуват четири звукови сигнала, когато температурата на клетките за проби е 80°C. Извадете и внимателно поставете клетките за проби няколко пъти преди да ги оставите върху решетката да се охладят. Температурната програма COD може да се използва за всички Nach COD тестове на клетки за проби.
100°C	Повишава температурата на клетките за проби до 100°C за 10, 60 или 120 минути. Например температурната програма „100°C, 60 минути“ се използва за: <ul style="list-style-type: none"><li>• Идентифициране на фосфат и хром</li><li>• Извличане на тежки метали</li><li>• Извличане на проби с помощта на набора LCW 902 Crack Set</li></ul>
40°C	Повишава температурата на клетките за проби до 40°C за 10 минути. Например, температурната програма “40 °C, 10 минути” се използва за изпълнение на тест за формалдехид или тестове за ензими в храни.

Таблица 4 Съхранени програми – DRB 200

Програма	Описание
COD	Повишава температурата на клетките за проби до 150°C за 120 минути. По време на охлаждащата фаза се чуват четири звукови сигнала, когато температурата на клетките за проби е 120°C. Извадете и внимателно поставете клетките за проби няколко пъти, преди да ги оставите върху решетката да се охладят.
TOC	Повишава температурата на клетките за проби до 105 °C за 120 минути. Температурната програма TOC може да се използва за всички Nach TOC тестове на клетки за проби.

Таблица 4 Съхранени програми – DRB 200 (продължава)

Програма	Описание
100°C	Повишава температурата на клетките за проби до 100°C за 30, 60 или 120 минути. Например температурната програма „100°C, 60 минути“ се използва за: <ul style="list-style-type: none"> <li>Извличане от пробите, направено с помощта на набора за приготвяне на метали</li> <li>Идентифициране на фосфат и хром</li> <li>Извличане на тежки метали</li> </ul>
105°C	Повишава температурата на клетките за проби до 105 °C за 30, 60 или 120 минути.
150°C	Повишава температурата на клетките за проби до 150 °C за 30, 60 или 120 минути.
165°C	Повишава температурата на клетките за проби до 165 °C за 30, 60 или 120 минути.

## Потребителски програми

LT 200 разполага с шест температурни програми, конфигурирани от потребителя (PRG1–PRG6). DRB 200 разполага с три температурни програми, конфигурирани от потребителя (PRG1–PRG3).

За да конфигурирате указана от потребителя температурна програма:

- Изберете указана от потребителя температурна програма с помощта на клавишите.
- Натиснете клавиша **Prog** (Прогр.), за да въведете програмния режим.
- Изберете наименование на програмата, състоящо се от 4 знака. За да промените даден знак, натиснете левия клавиш. За да преместите курсора на следваща позиция, натиснете десния клавиш със стрелка. За да запазите промяната, натиснете клавиша **OK**.

- За да настроите температурата, натиснете или задръжте натиснати клавишите със стрелки нагоре и надолу (от 37 до 16°C). За да запазите промяната, натиснете **OK**.
- За да настроите часа, натиснете или задръжте натиснати клавишите със стрелки нагоре и надолу (от 0 до 480 минути). За да запазите промяната, натиснете **OK**.
- За да запазите програмата, натиснете клавиша **OK**.

## Поддръжка

### ⚠ ВНИМАНИЕ



Множество опасности. Задачите, описани в този раздел на ръководството, трябва да се извършват само от квалифициран персонал.

### Забележка

Не разглобявайте инструмента с цел извършване на поддръжка. Ако трябва да почистите или ремонтирате вътрешни компоненти се свържете с производителя.

## Почистете инструмента

За да осигурите непрекъсната и точна работа, поддържайте инструмента чист.

### ⚠ ВНИМАНИЕ



Опасност от пожар. Не почиствайте инструмента с лесно запалими вещества.

### ⚠ ВНИМАНИЕ



Опасност от изгаряне. Не почиствайте инструмента, докато е нагорещ.

## Забележка

За да предотвратите повреда на инструмента, не използвайте почистващи препарати от типа на турпентин, ацетон или други подобни на тях продукти за почистване на инструмента, включително на дисплея му.

1. Изключете инструмента и извадете захранващия му кабел.
2. След като инструментът се охлади, почистете повърхността му с мека, влажна кърпа и разреден сапунен разтвор. Не допускате в инструмента да навлезе вода.

Ако течността в пробната клетка се разлее или същата се сучпи:

1. Изключете инструмента и извадете захранващия му кабел.
2. Оставете температурата на нагревателния(ите) блок(ове) и пробните клетки да спадне, докато се охладят.
3. Отстранете течността с помощта на пипета. Не позволявайте течността да влезне в контакт с кожата.
4. Прехвърлете течността в подходящ за целта съд.
5. Отстранете счупеното стъкло с подходящи пинцети. Отстранете всякаква остатъчна течност от инструмента. Не позволявайте течността да влезне в контакт с кожата.

## Измерете температурата на нагревателния блок

Измерете температурата на нагревателния блок, за да сте сигурни, че показаната за нея стойност на дисплея е правилна.

Температурата, показана на дисплея, е температурата в затворена клетка за проба, напълнена с течност. Докато температурата на нагревателния блок се повишава, температурата на нагревателния блок в близост до топлинния източник може да е по-висока от тази, показана на дисплея.

Необходими инструменти:

- Клетка за проби (LT 200: LCW906, DRB 200: 2275800)
- Глицерол (анхидрид), 5 mL
- Термометър, стъблен тип, калибриран в диапазон от 95 до 155°C (от 203 до 311°F), тип 67C до ASTM

За да измерите температурата на нагревателния блок

1. Напълнете чиста, празна клетка за проби с глицерол на стайна температура.
2. Поставете термометъра в клетката за проби, докато докосне дъното ѝ.
3. LT 200: Проверете дали нивото на глицерола е  $62 \text{ mm} \pm 0,5 \text{ mm}$  ( $2,44 \text{ инча} \pm 0,02 \text{ инча}$ ) от дъното на клетката за проби, когато термометърът се намира в клетката за проби.
4. DRB 200: Проверете дали нивото на глицерола е  $56 \text{ mm} \pm 0,5 \text{ mm}$  ( $2,20 \text{ инча} \pm 0,02 \text{ инча}$ ) от дъното на клетката за проби, когато термометърът се намира в клетката за проби.
5. Поставете клетката за проби в централния отвор на втория ред на нагревателния блок.
6. Стартирайте температурна програма на  $100^\circ\text{C}$  в продължение на 60 минути с помощта на клавишите, след което натиснете бутона **OK**.
7. Когато нагревателният блок е на избраната температура (чуват се два звукови сигнала), температурата на термометъра трябва да бъде еднаква с тази, показана на дисплея.

## Отстраняване на повреди

Разгледайте [Таблица 5](#) относно съобщения за грешка, възможните причини и коригиращи действия.

Таблица 5 Съобщения за грешка

Грешка	Разтвор
BLOCK IS TOO HOT! (БЛОКЪТ Е ПРЕКАЛЕНО ГОРЕЩ!) PLEASE WAIT (МОЛЯ, ИЗЧАКАЙТЕ)	Температурата на нагревателния блок е по-висока от избраната. Изчакайте, докато температурата на нагревателния блок се понижи.
INIT ERROR (ГРЕШКА ПРИ ИНИЦИАЛИЗИ.)	Инструментът е дефектирал. Свържете се със сервисната служба.

## Резервни части и принадлежности

### ▲ ПРЕДУПРЕЖДЕНИЕ



Опасност от нараняване. Използването на части, които не са одобрени за употреба, може да причини нараняване, повреда на инструмента или неизправност на оборудването. Резервните части, упоменати в този раздел, са одобрени от производителя.

**Забележка:** Продуктовите и каталожните номера може да се различават в някои региони на продажба. Свържете се със съответния дистрибутор или посетете уебсайта на компанията за информация за контакт.

### Резервни части

Описание	Количество	Каталожен номер
Защитен капак	1	LZT048

### Принадлежности– DRB 200

Описание	Количество	Каталожен номер
Намаляващ адаптер, 20 > 16 мм	1	HNA155
Намаляващ адаптер, 16 > 13 мм	1	2895805
Тръба, 16 x 100 мм	1	2275800
Тръба, 16 x 100 мм	6	2275806
Термометър, -0 до 200°C	1	4565500

## Tartalomjegyzék

Műszaki adatok oldalon 136

Működtetés oldalon 142

Általános tudnivaló oldalon 136

Karbantartás oldalon 144

Beszerezés oldalon 138

Hibaelhárítás oldalon 145

A kezelőfelület és navigálás oldalon 140

Cserealkatrészek és tartozékok oldalon 145

Beindítás oldalon 141

## Műszaki adatok

A műszaki adatok előzetes bejelentés nélkül változhatnak.

Műszaki adatok	Részletes adatok
Méretek	25×14,5×31 cm (9,8×5,7×12,2 hüvelyk)
Tömeg	Egy fűtőblokkal: 2 kg (4,4 font) Két fűtőblokkal: 2,8 kg (6,17 font)
Teljesítményigény	100–240 V, +5%/–15%, 50/60 Hz, I. védelmi osztály
Bemenőteljesítmény	Egy fűtőblokkal: 115 V: 300 VA; 230 V: 450 VA Két fűtőblokkal: 115 V: 600 VA; 230 V: 900 VA
Tárolási hőmérséklet	–40 és +60 °C (–40 és +140 °F) között
Üzemi hőmérséklet	10–45 °C (50–113 °F)
Üzemi páratartalom	90% (nem lecsapódó)
Hőmérséklet tartomány	LT 200: 37 és 150 °C (98,6 és 302 °F) között DRB 200: 37 és 165 °C (98,6 és 329 °F) között Időzítő: 0–480 perc
Hőmérséklet-stabilizálás	LT 200: ± 1 °C (± 2 °F) DRB 200: ± 2 °C (± 3,5 °F)

Műszaki adatok	Részletes adatok
Hevítési sebesség	LT 200: 20-ról 148 °C-ra (68-ról 298 °F-ra) 10 perc (DIN 38409-44) DRB 200: 20-ról 150 °C-ra (68-ról 302 °F-ra) 10 perc
Tanúsítvány	CE, és cTUVus

## Általános tudnivaló

A gyártó semmilyen körülmények között sem felelős a jelen kézikönyv hibájából, vagy hiányosságából eredő közvetlen, közvetett, véletlenszerű, vagy következményként bekövetkezett kárért. A gyártó fenntartja a kézikönyv és az abban leírt termékek megváltoztatásának jogát minden értesítés vagy kötelezettség nélkül. Az átdolgozott kiadások a gyártó weboldalán találhatóak.

## Biztonsági tudnivaló

### MEGJEGYZÉS

A gyártó nem vállal felelősséget a termék nem rendeltetésszerű alkalmazásából vagy használatából eredő semmilyen kárért, beleértve de nem kizárólag a közvetlen, véletlen vagy közvetett károkat, és az érvényes jogszabályok alapján teljes mértékben elhárítja az ilyen kárigényeket. Kizárólag a felhasználó felelőssége, hogy felismerje a komoly alkalmazási kockázatokat, és megfelelő mechanizmusokat szereljen fel a folyamatok védelme érdekében a berendezés lehetséges meghibásodása esetén.

Kérjük, olvassa végig ezt a kézikönyvet a készülék kicsomagolása, beállítása vagy működtetése előtt. Szenteljen figyelmet az összes veszélyjelző és óvatosságra intő mondatra. Ennek elmulasztása a kezelő súlyos sérüléséhez vagy a berendezés megrongálódásához vezethet.

A berendezés nyújtotta védelmi funkciók működését nem szabad befolyásolni. Csak az útmutatóban előírt módon használja és telepítse a berendezést.



## A veszélyekkel kapcsolatos tudnivalók alkalmazása

### ▲ VESZÉLY

Lehetséges vagy közvetlenül veszélyes helyzetet jelez, amely halálhoz vagy súlyos sérüléshez vezet.

### ▲ FIGYELMEZTETÉS

Lehetséges vagy közvetlenül veszélyes helyzetet jelez, amely halálhoz vagy súlyos sérüléshez vezethet.

### ▲ VIGYÁZAT

Lehetséges veszélyes helyzetet jelez, amely enyhe vagy kevésbé súlyos sérüléshez vezethet.

### MEGJEGYZÉS

A készülék esetleges károsodását okozó helyzet lehetőségét jelzi. Különleges figyelmet igénylő tudnivaló.

## Figyelmeztető címkék

Olvasson el a műszeren található minden felirati táblát és függő címkét. Ha nem tartja be, ami rajtuk olvasható, személyi sérülés vagy műszer rongálódás következhet be. Ha szimbólum látható a műszeren, ez az útmutatóban is szerepelni fog a veszélyjelző vagy óvatosságra intéző megjegyzésnél.



Ha a készüléken ez a szimbólum látható, az a használati útmutató kezelési és/vagy biztonsági tudnivalóira utal.



Az ezzel a szimbólummal jelölt elektromos készülékek Európában nem helyezhetők háztartási vagy lakossági hulladékfeldolgozó rendszerekbe. A gyártó köteles ingyenesen átvenni a felhasználótól a régi vagy elhasznált elektromos készülékeket.



Ez a szimbólum azt jelzi, hogy a jelölt elem forró lehet, ezért csak óvatosan szabad megérinteni.



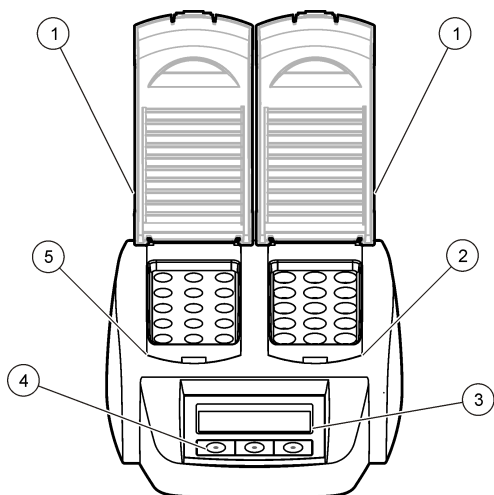
Az ilyen szimbólummal jelölt készülékhez védőföldelést kell csatlakoztatni. Ha a berendezés nem rendelkezik földelési csatlakozóval a vezetéken, hozza létre a védőföldelést a biztonsági vezetőterminálon.

## A termék áttekintése

A berendezés egy vagy két fűtőblokkot tartalmaz, amelyek a kerek mintacellákban lévő oldatot adott hőmérsékletűre hevítik, adott időtartamon keresztül (1. ábra).

Az LT 200 három tárolt hőmérsékleti programot kínál, valamint újabb hat programot állíthat be és menthet a felhasználó. A DRB 200 három tárolt hőmérsékleti programot kínál, valamint újabb hat programot állíthat be és menthet a felhasználó.

1. ábra Előnézet



1 Védőfedél	3 Kijelző	5 Baloldali fűtőblokk
2 Jobboldali fűtőblokk	4 Gombok	

## Beszerelés

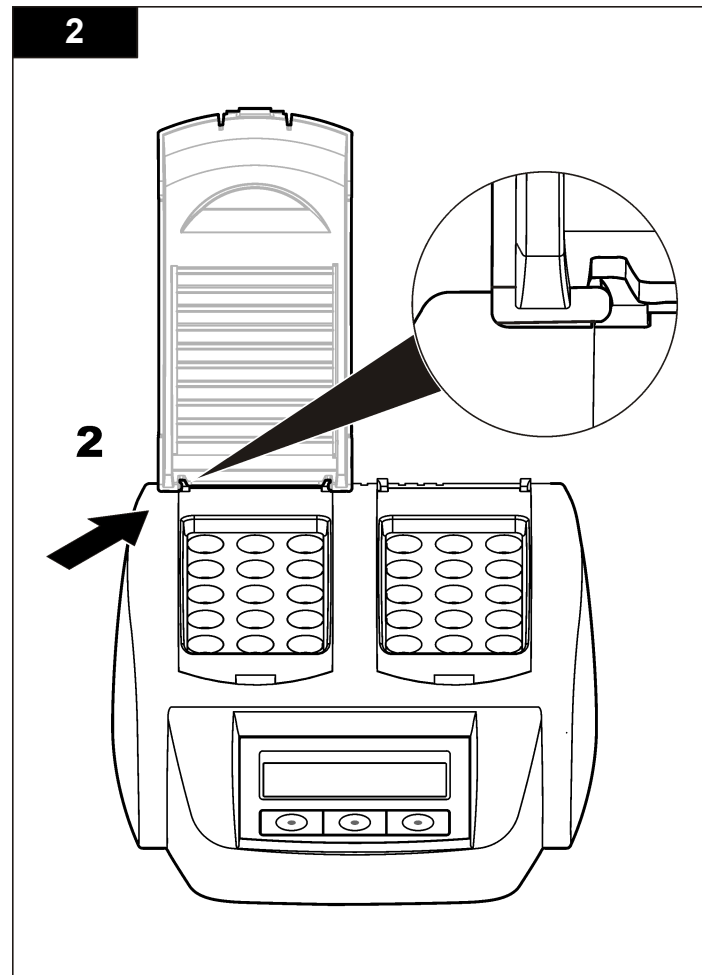
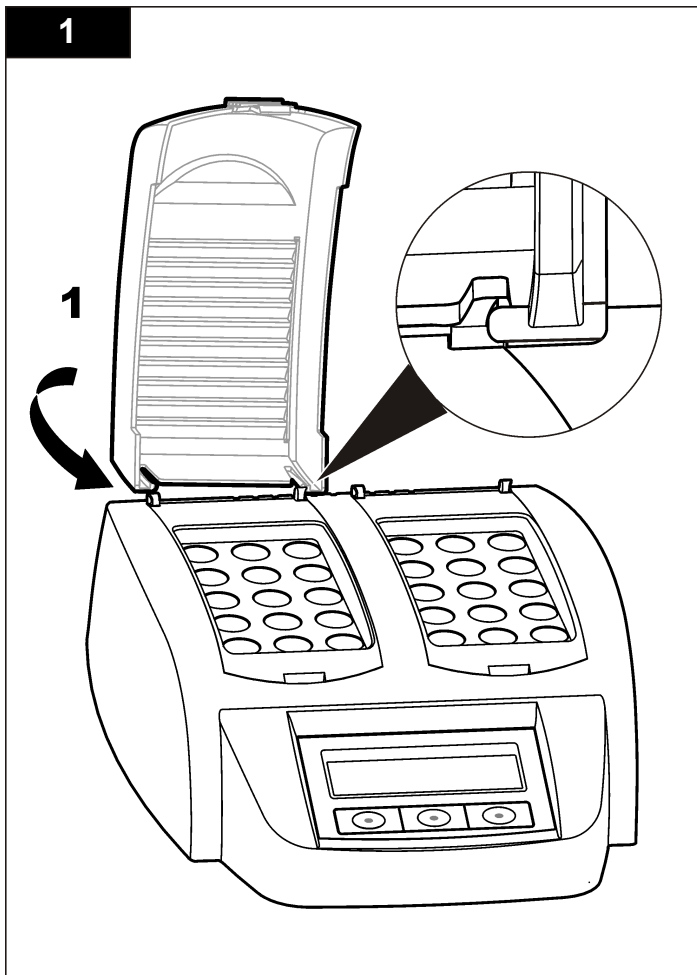
### Védőfedél felhelyezése

#### ▲ FIGYELMEZTETÉS



Áramütés és égési sérülés veszélye. A személyi sérülés elkerülésére védőfedelelet kell felszerelni. A védőfedél megelőzi az égési sérüléseket, és hogy a tápkábel a fűtőblokkhoz érjen.

Lásd az alábbi képeken bemutatott lépéseket.

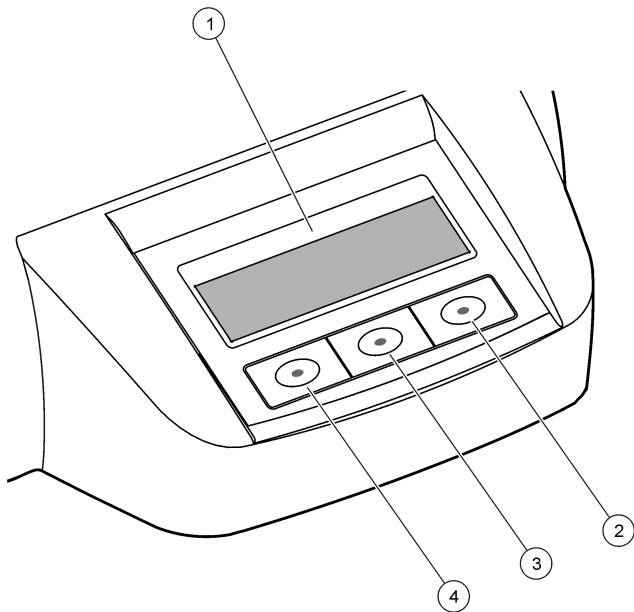


## A kezelőfelület és navigálás

### Felhasználói felület

A készüléket a kijelző alatt elhelyezkedő három gomb segítségével lehet működtetni (2. ábra). Az egyes gombok funkcióját a kijelző mutatja. Amelyik gombhoz éppen jelenik meg funkció, az a gomb nem aktív.

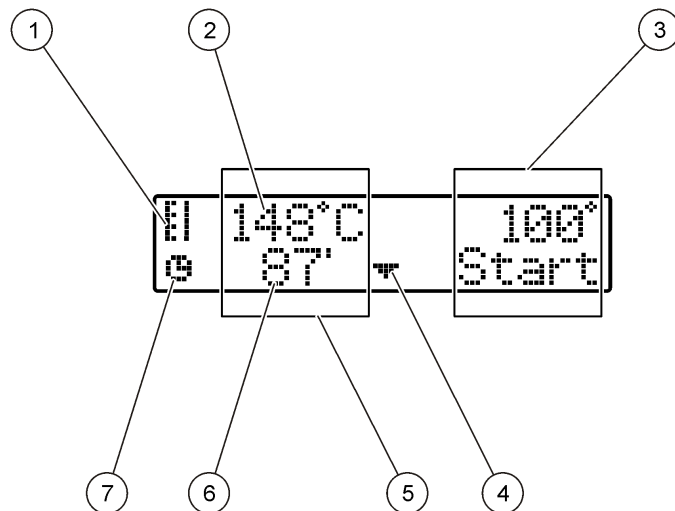
2. ábra Gombok leírása



1 Kijelző	3 Középső gomb
2 Jobb oldali gomb	4 Bal oldali gomb

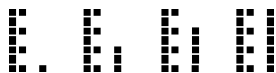

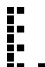
## A kijelző ismertetése

3. ábra A képernyő tartalma, amikor csak a bal oldali fűtőblokk programja aktív



1 Hőmérő szimbólum	5 Baloldali fűtőblokk
2 Fűtőblokk hőmérséklete	6 Hátralévő idő
3 Jobboldali fűtőblokk	7 Időzítő szimbólum
4 Le nyíl gomb (program kiválasztására)	

1. táblázat Hőmérő szimbólum

Szimbólum	Leírás
	A fűtőblokk hőmérséklete emelkedik.
	A fűtőblokk a kiválasztott hőmérsékletű.
	A fűtőblokk hőmérséklete csökken.

## Beindítás

### Kapcsolja be a készüléket

#### MEGJEGYZÉS

Tilos a készüléket kikapcsolás után gyorsan visszakapcsolni, mert ez károsíthatja a készüléket. A készülék újbóli bekapcsolása előtt várjon legalább 20 percet.

1. Helyezze a készüléket stabil, vízszintes, hőálló felületre.
2. Csatlakoztassa a tápkábelt a készülék hátoldalán található csatlakozóba.
3. Csatlakoztassa a hálózati kábelt földelt hálózati aljzathoz.
4. A készülék bekapcsolásához nyomja meg a hátoldalán található főkapcsolót.  
A készülék első bekapcsolásakor a nyelvválasztó képernyő jelenik meg. Lásd: [Válassza ki a nyelvet](#) oldalon 141.

### Válassza ki a nyelvet

1. Tartsa lenyomva a bal oldali gombot, és közben kapcsolja be a készüléket.

2. A menüt a jobbra nyíllal lehet görgetni. A menü végén a kijelző visszatér a menü elejére.
3. Amikor a kívánt nyelv megjelenik, nyomja meg a hozzá tartozó gombot. Lásd: [2. táblázat](#).

2. táblázat Nyelvi beállítások

Beállítás	Nyelv	Beállítás	Nyelv
GB	Angol	E	Spanyol
D	Német	NL	Holland
F	Francia	S	Svéd
I	Olasz	PL	Lengyel

### A kijelző kontrasztjának beállítása

1. Tartsa lenyomva a középső gombot, és közben kapcsolja be a készüléket.
2. A fel és le nyíl gombok lenyomásával és nyomva tartásával állítható be a kontraszt értéke.
3. A változtatások mentéséhez nyomja meg az **OK** gombot.

## Működtetés

### ▲ VESZÉLY



Kémiai expozíció veszélye. Kövesse a laboratóriumi biztonsági eljárásokat, és viselje a kezelt vegyszereknek megfelelő összes személyes védőfelszerelést. A biztonsági protokollokkal kapcsolatban lásd az aktuális biztonsági adatlapokat (MSDS/SDS).



## Rutinszerű működés

### ▲ VIGYÁZAT



Égési sérülés veszélye. Tilos ujjal a fűtőblokk nyílásaiba nyúlni. A fűtőblokk hőmérsékletének növelése előtt zárja le a védőfedelelet, és tartsa végig lezárva üzemeltetés közben.

### ▲ VIGYÁZAT



Égési sérülés veszélye. A mintacellák hőmérséklete magas. Viseljen hőszigetelő anyagot (pl. kesztyű, gumiujj). Tilos 80 °C feletti hőmérsékletű mintacellát eltávolítani. Tilos 80 °C feletti hőmérsékletű mintacellát koloriméterbe helyezni.

### ▲ VIGYÁZAT



Kémiai veszély. Ha egy cella eltörik, ne engedje, hogy a folyadék érintkezzen a bőrével. Szükség esetén elszívóval távolítsa el a vegyszergőzőket.

### ▲ VIGYÁZAT



Kémiai expozíció veszélye. Semmisítse meg a vegyszereket és a hulladékokat a helyi, területi és nemzeti előírásoknak megfelelően.

### MEGJEGYZÉS

A mintacellák és a készülék sérülésvédelme érdekében tartsa a fűtőblokk nyílásait szárazon. Szárítsa meg teljesen a mintacellák külsejét.

### MEGJEGYZÉS

Véletlen folyadékkiömlés vagy mintacellatörés esetén a készülék sérülésvédelme érdekében azonnal szüntesse meg a készülék hálózati csatlakozását. Lásd: [A készülék tisztítása](#) oldalon 144.

### MEGJEGYZÉS

Tilos a védőfedél szellőzőnyílásait letakarni. A készülék és a mintacellák túlhevülhetnek, és csökkenhet a mérés pontossága.

1. Készítse elő a vizsgálni kívánt mintacellákat az elemzőeljárásnál megadottak alapján.
2. Zárja le a mintacellákat a fedéllel.
3. Szárítsa meg teljesen a mintacellák külsejét.
4. Kapcsolja be a készüléket, majd nyissa fel a védőfedelelet. A kijelzőn a legutoljára kiválasztott egy vagy több hőmérsékleti program jelenik meg.
5. Ha a 20 mm-es nyílású fűtőblokkhoz 16 mm-es csöveket használ, akkor szerelje fel a nyílásokra az adaptereket.
6. LT 200: Helyezze a vizsgálni kívánt mintacellákat a megfelelő fűtőblokkokba, majd zárja le a védőfedelelet.
7. A gombokkal állítsa be a kívánt hőmérsékleti programot (és az esetlegesen kívánt feldolgozási időtartamot), majd nyomja meg a **Start** gombot. Lásd: [Tárolt programok](#) oldalon 143. Két fűtőblokk esetén az egyes blokkok hőmérsékleti programja egymástól függetlenül állítható be.  
*Megjegyzés: A program leállításához nyomja meg kétszer a program alatti gombot.*  
LT 200: Elindul a feldolgozási program. A fűtőblokk hőmérséklete a beállított értékre emelkedik, majd az idő automatikusan elkezd visszaszámlálni nulláig (0). Ha véget ér a feldolgozási program, a gép hármat sípol, és lekapcsol a fűtőblokk.  
DRB 200: A fűtőblokk hőmérséklete a kiválasztott hőmérsékletig melegszik.
8. DRB 200: Amikor a fűtőblokk elérte a beállított hőmérsékletet (két hangjelzés szólal meg), akkor helyezze a vizsgálni kívánt mintacellákat a megfelelő fűtőblokkokba, majd zárja le a védőfedelelet. A feldolgozó program indításához nyomja meg a **Start** gombot.

Ha véget ér a feldolgozási program, a készülék hármat sípol, és lekapcsol a fűtőblokk.

## Tárolt programok

3. táblázat megadja a tárolt hőmérsékleti programok leírását az LT 200 készülékhez. 4. táblázat megadja a tárolt hőmérsékleti programok leírását a DRB 200 készülékhez.

3. táblázat Tárolt programok – LT 200

Program	Leírás
KOI	120 percen keresztül 148 °C-ra növeli a mintacella hőmérsékletét. A lehűlési szakaszban a készülék négy hangjelzéssel jelzi, amikor a cellák elérik a 80 °C-ot. Távolítsa el, majd óvatosan forgass meg több alkalommal a cellákat, mielőtt az állványon hűlnek. A COD hőmérsékleti program az összes COD mintacella vizsgálatokhoz használható.
100 °C	10, 60 vagy 120 percen keresztül 100 °C-ra növeli a mintacella hőmérsékletét. A „100 °C, 60 perc” hőmérsékleti program használatos például: <ul style="list-style-type: none"><li>• Foszfát és króm azonosítása</li><li>• Nehézfémek feldolgozása</li><li>• Minták feldolgozása LCW 902 készlettel</li></ul>
40 °C	10 percen keresztül 40 °C-ra növeli a mintacella hőmérsékletét. Például „40 °C, 10 perc” hőmérsékleti program használatos formaldehidvizsgálathoz vagy enzimatikus élelmiszevizsgálatokhoz.

4. táblázat Tárolt programok – DRB 200

Program	Leírás
KOI	120 percen keresztül 150 °C-ra növeli a mintacella hőmérsékletét. A lehűlési szakaszban a készülék négy hangjelzéssel jelzi, amikor a cellák elérik a 120 °C-ot. Távolítsa el, majd óvatosan forgass meg több alkalommal a cellákat, mielőtt az állványon hűlnek.
TOC	120 percen keresztül 105 °C-ra növeli a mintacella hőmérsékletét. A TOC hőmérsékleti program az összes Hach TOC mintacella vizsgálatokhoz használható.
100 °C	30, 60 vagy 120 percen keresztül 100 °C-ra növeli a mintacella hőmérsékletét. A „100 °C, 60 perc” hőmérsékleti program használatos például: <ul style="list-style-type: none"><li>• Minták feldolgozása fémelőkészítő készlettel</li><li>• Foszfát és króm azonosítása</li><li>• Nehézfémek feldolgozása</li></ul>
105 °C	30, 60 vagy 120 percen keresztül 105 °C-ra növeli a mintacella hőmérsékletét.
150 °C	30, 60 vagy 120 percen keresztül 150 °C-ra növeli a mintacella hőmérsékletét.
165 °C	30, 60 vagy 120 percen keresztül 165 °C-ra növeli a mintacella hőmérsékletét.

## Felhasználói programok

Az LT 200 készüléken a felhasználó hat hőmérsékleti programot állíthat be (PRG1–PRG6). A DRB 200 készüléken a felhasználó három hőmérsékleti programot állíthat be (PRG1–PRG3).

Felhasználói hőmérsékleti program beállítása:

1. Válassza ki a gombokkal a kívánt hőmérsékleti programot.
2. A **Prog** gomb megnyomásával lépjen programozási üzemmódba.
3. Adjon meg egy négy karakterből álló programnevet. A bal oldali gombbal állítható be a karakter. A jobb oldali gombbal mozgatható a kurzor a következő pozícióba. A változtatások mentéséhez nyomja meg az **OK** gombot.

4. A fel és le nyíl gombok lenyomásával és nyomva tartásával állítható be a hőmérséklet (37–150 °C). A változtatások mentéséhez nyomja meg az **OK** gombot.
5. A fel és le nyíl gombok lenyomásával és nyomva tartásával állítható be az időtartam (0–480 perc). A változtatások mentéséhez nyomja meg az **OK** gombot.
6. A program mentéséhez nyomja meg az **OK** gombot.

## Karbantartás

### ⚠ VIGYÁZAT



Többszörös veszély. A dokumentumnak ebben a fejezetében ismertetett feladatokat csak képzett szakemberek végezhetik el.

### MEGJEGYZÉS

Ne szerelje szét a műszert karbantartás céljából. Ha a belső alkatrészek tisztítása vagy javítása válik szükségessé, forduljon a gyártóhoz.

## A készülék tisztítása

A folyamatos és pontos működés érdekében tartsa tisztán a műszert tisztán.

### ⚠ VIGYÁZAT



Tűzveszély. Ne használjon gyúlékony anyagokat a műszer tisztításához.

### ⚠ VIGYÁZAT



Égési sérülés veszélye. Ne tisztítsa a műszert, ha forró.

### MEGJEGYZÉS

A műszer károsodásának elkerülése érdekében a készülék, a kijelző és a tartozékok tisztításakor ne használjon tisztítószer, például terpentint, acetont vagy hasonló terméket.

1. Kapcsolja ki a készüléket, és csatlakoztassa le a tápkábelt.
2. Amikor a műszer kihűlt, tisztítsa le a felületét enyhén szappanos oldatban megnedvesített, puha ruhával. Ügyeljen, hogy ne jusson víz a műszerbe.

Ha kiömlik a folyadék egy mintacellából, vagy a mintacella összetörik:

1. Kapcsolja ki a készüléket, és csatlakoztassa le a tápkábelt.
2. Engedje a fűtőblokk(ok) és a mintacellák hőmérsékletét hűvösre lecsökkenni.
3. Távolítsa el a folyadékot pipettával. Ne engedje, hogy a folyadék a bőrével érintkezzen.
4. Helyezze szabályosan hulladékba a folyadékot.
5. Csipesszel távolítsa el az üvegcserepeket. Ha maradt a műszeren folyadék, távolítsa el. Ne engedje, hogy a folyadék a bőrével érintkezzen.

## A fűtőblokk hőmérsékletének mérése

A kijelzőn megjelenő hőmérséklet helyességét ellenőrizze a fűtőblokk hőmérsékletének mérésével.

A kijelző a lezárt, folyadékkal töltött cella hőmérsékletét mutatja. Míg a fűtőblokk hőmérséklete emelkedik, a fűtő közelében a fűtőblokk a kijelzőn megjelenő értéknél magasabb hőmérsékletű lehet.

Szükséges eszközök:

- Mintacella (LT 200: LCW906, DRB 200: 2275800)
- Glicerol (vízmentes), 5 ml
- Merülő hőmérő 95–155 °C (203–311 °F) kalibrálással, 67C–ASTM típusú

A fűtőblokk hőmérsékletének mérése:

1. Töltsön meg egy tiszta mintacellát szoba-hőmérsékletű glicerollal.
2. Merítse a hőmérőt a mintacellába olyan mélységig, hogy az elérje a cella alját.



- LT 200: A glicerolszint magassága a mintacella aljától számítva mindenképpen  $62 \pm 0,5$  mm (2,44 $\pm$ 0,02 hüvelyk) legyen, amikor a hőmérő a mintacellában van.
- DRB 200: A glicerolszint magassága a mintacella aljától számítva mindenképpen  $56 \pm 0,5$  mm (2,44 $\pm$ 0,02 hüvelyk) legyen, amikor a hőmérő a mintacellában van.
- Helyezze a mintacellát a második fűtőblokk sor középső nyílásába.
- A gombokkal állítson be 100 °C-os 60 perces hőmérsékletprogramot, majd nyomja meg az **OK** gombot.
- Amikor a fűtőblokk elérte a beállított hőmérsékletet (két hangjelzés szólal meg), akkor hőmérőnek a kijelzőn megjelenő hőmérsékletet kell mutatnia.

## Hibaelhárítás


A hibaüzeneteket, lehetséges hibaokokat és javítási eljárásokat lásd:

[5. táblázat](#)

**5. táblázat Hibaüzenetek**

Hiba	Megoldás
A BLOKK TÚL FORRÓ! KÉREM, VÁRJON	A fűtőblokk hőmérséklete magasabb a kívánt hőmérsékletnél. Várja meg, amíg a fűtőblokk hőmérséklete lecsökken.
INICIALIZÁLÁSI HIBA	A készülék hibás. Forduljon az ügyfélszolgálathoz.

## Cserealkatrészek és tartozékok

<b>▲ FIGYELMEZTETÉS</b>	
	Személyi sérülés veszélye. A nem jóváhagyott alkatrészek használata személyi sérüléshez, a műszer károsodásához vagy a berendezés meghibásodásához vezethet. Az ebben a fejezetben található cserealkatrészek a gyártó által jóváhagyott alkatrészek.

**Megjegyzés:** A termék- és cikkszám régióként eltérhet. A kapcsolattartási információkért forduljon a viszonteladóhoz vagy látogasson el a cég weboldalára.

## Cserealkatrészek

Leírás	Mennyiség	Cikksz.
Védőfedél	1	LZT048

## Tartozékok – DRB 200

Leírás	Mennyiség	Cikksz.
Szűkítő adapter, 20 > 16 mm	1	HHA155
Szűkítő adapter, 16 > 13 mm	1	2895805
Cső, 16×100 mm	1	2275800
Cső, 16×100 mm	6	2275806
Hőmérő, 0–200 °C	1	4565500

## Cuprins

[Specificații](#) de la pagina 146

[Funcționarea](#) de la pagina 152

[Informații generale](#) de la pagina 146

[Întreținerea](#) de la pagina 154

[Instalarea](#) de la pagina 148

[Depanarea](#) de la pagina 155

[Interfața pentru utilizator și navigarea](#)  
de la pagina 150

[Piese de schimb și accesorii](#)  
de la pagina 155

[Pornirea sistemului](#) de la pagina 151

## Specificații

Specificațiile pot fi modificate fără notificare prealabilă.

Specificație	Detalii
Dimensiuni	25 x 14,5 x 31 cm (9,8 x 5,7 x 12,2")
Greutate	O singură unitate de încălzire: 2 kg (4,4 lb) Unitate de încălzire dublă: 2,8 kg (6,17 lb)
Cerințe de alimentare	100 - 240 V, +5%/-15%, 50/60 Hz, clasa de protecție I
Consum de putere	O singură unitate de încălzire: 115 V: 300 VA; 230 V: 450 VA Unitate de încălzire dublă: 115 V: 600 VA; 230 V: 900 VA
Temperatură de depozitare	de la -40 la +60 °C (de la -40 la +140 °F)
Temperatură de funcționare	de la 10 la 45°C (de la 50 la 113°F)
Umiditatea de lucru	90% (necondensantă)
Domeniul de temperatură	LT 200: de la 37 la 150 °C (de la 98,6 la 302 °F) DRB 200: de la 37 la 165 °C (de la 98,6 la 329 °F)
	Cronometru: 0 - 480 minute

Specificație	Detalii
Stabilitatea temperaturii	LT 200: $\pm 1$ °C ( $\pm 2$ °F) DRB 200: $\pm 2$ °C ( $\pm 3,5$ °F)
Rata de încălzire	LT 200: de la 20 la 148 °C (68 - 298 °F) în 10 min. (conform DIN 38409-44) DRB 200: de la 20 la 150 °C (68 - 302 °F) în 10 minute
Certificare	CE și cTUVus

## Informații generale

Producătorul nu se face responsabil în nicio situație de deteriorări directe, indirecte, speciale, accidentale sau pe cale de consecință ce ar rezulta din orice defect sau omisiune din acest manual. Producătorul își rezervă dreptul de a efectua modificări în acest manual și produselor pe care le descrie, în orice moment, fără notificare sau obligații. Edițiile revizuite pot fi găsite pe site-ul web al producătorului.

## Informații privind siguranța

### NOTA

Producătorul nu este responsabil pentru daunele cauzate de utilizarea incorectă a acestui produs, inclusiv și fără a se limita la daunele directe, accidentale sau pe cale de consecință și neagă responsabilitatea pentru astfel de daune în măsura maximă permisă de lege. Utilizatorul este unicul responsabil pentru identificarea riscurilor critice și pentru instalarea de mecanisme corespunzătoare pentru protejarea proceselor în cazul unei posibile defectări a echipamentului.

Citiți în întregime manualul înainte de a despacheta, configura și utiliza aparatul. Respectați toate atenționările de pericol și avertismentele. Nerespectarea acestei recomandări poate duce la vătămări serioase ale operatorului sau la deteriorarea echipamentului.

Verificați dacă protecția cu care este prevăzută aparatul nu este defectă. Nu utilizați sau nu instalați aparatul în niciun alt mod decât cel specificat în prezentul manual.

## Informații despre utilizarea produselor periculoase

### ▲ PERICOL

Indică o situație periculoasă în mod potențial sau iminent care, dacă nu este evitată, va avea ca rezultat decesul sau vătămarea corporală gravă.

### ▲ AVERTISMENT

Indică o situație periculoasă în mod potențial sau iminent care, dacă nu este evitată, poate conduce la deces sau la o vătămare corporală gravă.

### ▲ ATENȚIE

Indică o situație periculoasă în mod potențial care poate conduce la o vătămare corporală minoră sau moderată.

### NOTĂ

Indică o situație care, dacă nu este evitată, poate provoca defectarea aparatului. Informații care necesită o accentuare deosebită.

## Etichete de avertizare

Citiți toate etichetele și avertismentele cu care este prevăzut instrumentul. În caz de nerespectare se pot produce vătămări personale sau avarieri ale instrumentului. Un simbol, aplicat pe instrument, este asociat unui anume pericol sau unui anume avertisment privitor la precauție, cuprins în manual.



Acest simbol, dacă este notat pe instrument, se regăsește în manualul de instrucțiuni referitor la funcționare și/sau siguranță.



Echipamentele electrice inscripționate cu acest simbol nu pot fi eliminate în sistemele publice europene de deșeurii. Returnați producătorului echipamentele vechi sau la sfârșitul duratei de viață în vederea eliminării, fără niciun cost pentru utilizator.



Acest simbol avertizează că elementul marcat poate fi fierbinte și trebuie atins cu grijă.



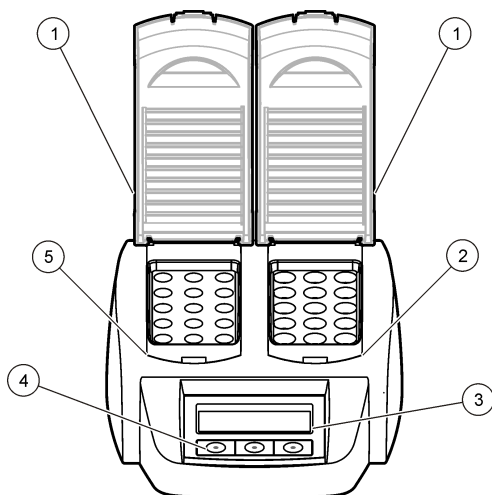
Acest simbol indică faptul că obiectul marcat are nevoie de o conexiune la masa de protecție. Dacă instrumentul nu este alimentat de la o priză împământată pe un cablu, realizați conexiunea la masa de protecție cu terminalul conductorului de protecție.

## Prezentarea generală a produsului

Acest instrument are una sau două unități de încălzire care cresc temperatura soluțiilor din cuvele rotunde, la temperatura specificată, pe o perioadă de timp specificată (Figura 1).

LT 200 are trei programe de temperatură stocate și șase programe de temperatură care sunt configurate de utilizator și salvate. DRB 200 are șase programe de temperatură stocate și trei programe de temperatură care sunt configurate de utilizator și salvate.

Figura 1 Vedere frontală



1 Carcasă de protecție	3 Afișaj	5 Unitate de încălzire stânga
2 Unitate de încălzire dreapta	4 Taste	

## Instalarea

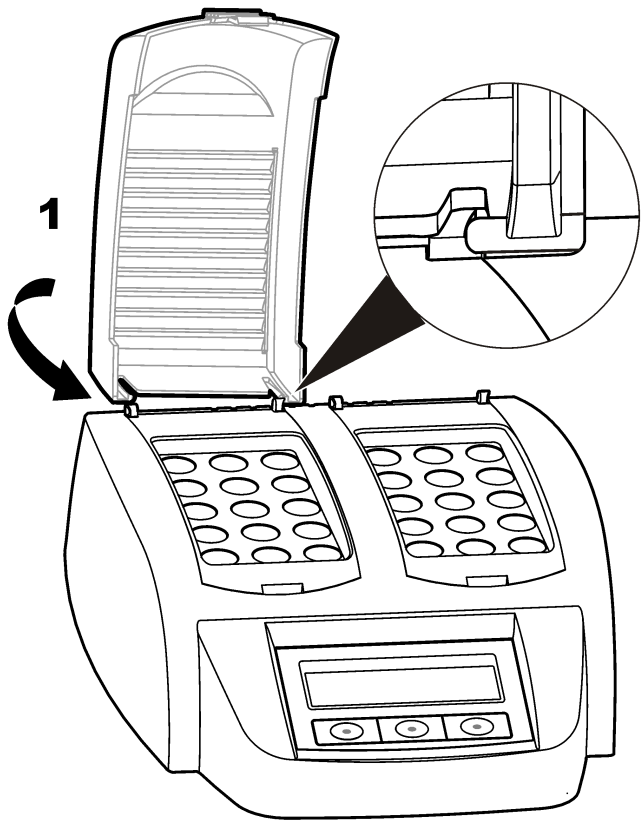
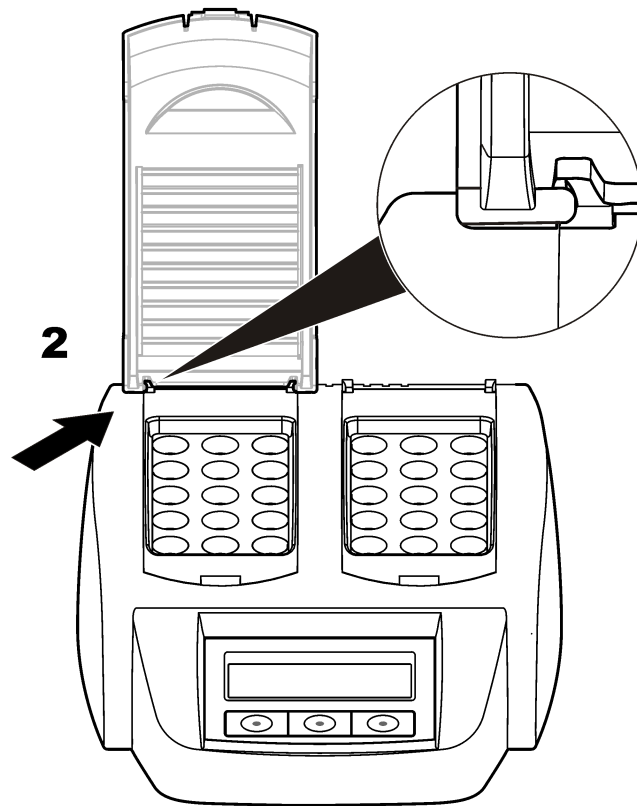
### Montarea carcaselor de protecție

#### ⚠ AVERTISMENT



Pericol de electrocutare și arsuri. Pentru a preveni vătămarea corporală, trebuie montată carcasa de protecție. Carcasa de protecție previne arsurile și contactul cablului de alimentare cu unitatea de încălzire.

Consultați pașii ilustrați care urmează.

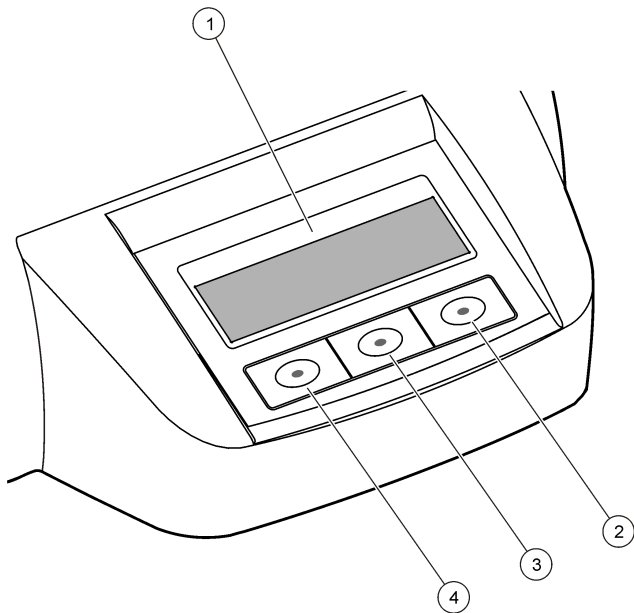
**1****2**

## Interfața pentru utilizator și navigarea

### Interfața cu utilizatorul

Utilizarea instrumentului se face cu ajutorul a trei taste aflate sub afișaj (Figura 2). Funcția fiecărei taste este prezentată pe afișaj. Dacă pentru o tastă nu este afișată nicio funcție, tastă respectivă nu este activă pentru moment.

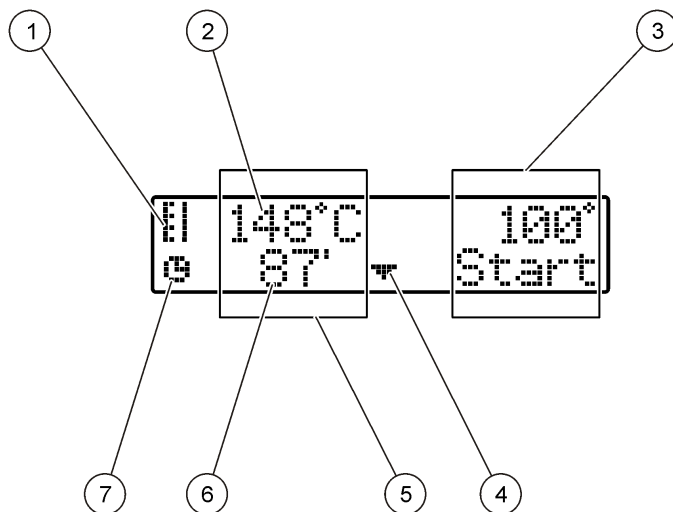
Figura 2 Descrierea tastaturii



1 Afișajul	3 Tasta din mijloc
2 Tasta dreaptă	4 Tasta stângă

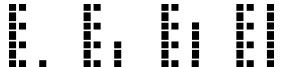
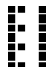
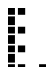
## Descrierea afișajului

Figura 3 Afișajul ecranului când este activ un program numai în unitatea de încălzire stânga



1 Simbolul termometru	5 Unitate de încălzire stânga
2 Temperatura unității de încălzire	6 Timp rămas
3 Unitate de încălzire dreapta	7 Simbolul cronometrului
4 Tastă săgeată jos (utilizați-o pentru a selecta programul)	

**Tabelul 1 Simbolurile termometrului**

Simbol	Descriere
	Temperatura unității de încălzire crește.
	Temperatura unității de încălzire este la valoarea selectată.
	Temperatura unității de încălzire scade.

## Pornirea sistemului

## Pornirea instrumentului

### NOTĂ

Nu opriți și porniți instrumentul la intervale scurte de timp, deoarece instrumentul se poate deteriora. Așteptați întotdeauna 20 de secunde înainte de a reporni instrumentul.

1. Așezați instrumentul pe o suprafață stabilă, plană și rezistentă la căldură.
2. Conectați cablul de alimentare la priza de alimentare din spatele instrumentului.
3. Conectați cablul de alimentare la o priză de alimentare cu împământare.
4. Apăsați comutatorul de alimentare din spatele instrumentului pentru a porni instrumentul.

Când porniți instrumentul pentru prima oară, va fi afișat ecranul de selectare a limbii. Consultați [Selectarea limbii](#) de la pagina 151.

## Selectarea limbii

1. Mențineți apăsată tasta stângă și porniți instrumentul.
2. Apăsați tasta săgeată dreapta pentru a derula meniul. La sfârșitul meniului, afișajul revine la începutul meniului.
3. Când este afișată limba corectă, apăsați tasta pentru limbă. Consultați [Tabelul 2](#).



**Tabelul 2 Setări de limbă**

Setare	Limbă	Setare	Limbă
GB	Engleză	E	Spaniolă
D	Germană	NL	Olandeză
F	Franceză	S	Suedeză
I	Italiană	PL	Poloneză


## Setarea contrastului afișajului


1. Mențineți apăsată tasta din mijloc și porniți instrumentul.
2. Apăsați sau mențineți apăsată tastele săgeată sus și jos pentru a modifica valoarea contrastului.
3. Apăsați **OK** pentru a salva modificarea.


## Funcționarea


▲ PERICOL	
	Pericol de expunere chimică. Respectați procedurile de siguranță în laborator și purtați toate echipamentele de protecție personală adecvate pentru substanțele chimice care sunt manipulate. Consultați fișele tehnice de securitate (MSDS/SDS) pentru protocoalele de siguranță.
	

## Utilizarea uzuală

▲ ATENȚIE	
	Pericol de arsuri. Nu introduceți degetul într-un orificiu din unitatea de încălzire. Închideți carcasa de protecție înainte de a crește temperatura unității de încălzire și mențineți permanent închisă carcasa de protecție în cursul utilizării.

▲ ATENȚIE	
	Pericol de arsuri. Cuvetele sunt fierbinți. Purtați material termoizolant (de ex. mănuși sau degetare). Nu scoateți o cuvătă cu temperatura de peste 80 °C. Nu introduceți într-un colorimetru o cuvătă cu temperatura de peste 80 °C.

▲ ATENȚIE	
	Pericol chimic. Dacă o cuvătă se sparge, nu permiteți contactul lichidului cu pielea. Pentru îndepărtarea aburilor chimici, utilizați o hotă, dacă este necesar.

▲ ATENȚIE	
	Pericol de expunere chimică. Substanțele chimice și deșeurile trebuie eliminate în conformitate cu reglementările locale, regionale și naționale.

NOTĂ	
Pentru a preveni deteriorarea cuvetei și a instrumentului, mențineți uscate deschizăturile din unitatea de încălzire. Uscați complet exteriorul cuvetei.	

NOTĂ	
Pentru a preveni deteriorarea instrumentului, deconectați imediat alimentarea dacă survine o scurgere accidentală sau dacă se sparge o cuvătă, apoi curățați instrumentul. Consultați <a href="#">Curățarea instrumentului</a> de la pagina 154.	

NOTĂ	
Nu acoperiți fantele de ventilare ale carcasei de protecție. Este posibil ca instrumentul și cuvetele să devină prea fierbinți și să reducă precizia măsurătorii.	

1. Pregătiți cuvetele conform specificațiilor din procedura de analiză.
2. Închideți cuvetele cu capacul.
3. Uscați complet exteriorul cuvetei.
4. Porniți instrumentul și deschideți carcasa de protecție. Ultimul(e) program(e) de temperatură selectat(e) este (sunt) afișat(e) pe afișaj.
5. Dacă utilizați tuburi de 16 mm cu o unitate de încălzire cu orificii de 20 mm, introduceți adaptoarele de reducere în orificii.
6. LT 200: Așezați cuvetele în unitatea de încălzire corectă și închideți carcasa de protecție.
7. Selectați programul de temperatură corect (și perioada de digestie, dacă este cazul), utilizând tastele, apoi apăsați **Start**. Consultați [Programe stocate](#) de la pagina 153. Programul de temperatură este selectat independent pentru fiecare unitate de încălzire când există două unități de încălzire.  
*Notă:* Pentru a opri un program, apăsați de două ori tasta de sub program.  
LT 200: Programul de digestie începe. Temperatura unității de încălzire crește la temperatura selectată, apoi timpul este cronometrat automat, până la zero (0). După finalizarea programului de digestie, sunt emise trei semnale sonore și încălzitorul se oprește.  
DRB 200: Temperatura unității de încălzire crește până la temperatura selectată.
8. DRB 200: când unitatea de încălzire este la temperatura selectată (se aud două semnale sonore), așezați cuvetele de testare în unitatea de încălzire corectă și închideți carcasa de protecție. Apăsați **Start** pentru a porni programul de digestie.  
După finalizarea programului de digestie, sunt emise trei semnale sonore și încălzitorul se oprește.



## Programe stocate

Tabelul 3 oferă descrierile programelor de temperatură stocate pentru LT 200. Tabelul 4 oferă descrierile programelor de temperatură stocate pentru DRB 200.

Tabelul 3 Programe stocate - LT 200

Program	Descriere
COD	Crește temperatura cuvetelor la 148 °C, timp de 120 de minute. În faza de răcire, se aud patru semnale sonore când cuvețele ating 80 °C. Scoateți și răsturnați cu grijă cuvețele de câteva ori înainte de a lăsa ca temperatura lor să scadă într-un stativ. Programul de temperatură COD poate fi utilizat pentru toate cuvețele de testare COD.
100 °C	Crește temperatura cuvetelor la 100 °C, timp de 10, 60 sau 120 de minute. De exemplu, programul de temperatură „100 °C, 60 de minute” este utilizat pentru: <ul style="list-style-type: none"><li>• Identificarea fosfatului și cromului</li><li>• Digestia metalelor grele</li><li>• Eșantioane de digestie care utilizează setul LCW 902</li></ul>
40 °C	Crește temperatura cuvetelor la 40 °C, timp de 10 de minute. De exemplu, programul de temperatură „40 °C, 10 minute” este utilizat pentru testul de aldehidă formică sau pentru testele de enzime alimentare.

Tabelul 4 Programe stocate - DRB 200

Program	Descriere
COD	Crește temperatura cuvetelor la 150 °C, timp de 120 de minute. În faza de răcire, se aud patru semnale sonore când cuvețele ating 120 °C. Scoateți și răsturnați cu grijă cuvețele de câteva ori înainte de a lăsa ca temperatura lor să scadă într-un stativ.
TOC	Crește temperatura cuvetelor la 105 °C, timp de 120 de minute. Programul de temperatură TOC poate fi utilizat pentru toate cuvețele de testare Hach TOC.

Tabelul 4 Programe stocate - DRB 200 (continuare)

Program	Descriere
100 °C	Crește temperatura cuvetelor la 100 °C, timp de 30, 60 sau 120 de minute. De exemplu, programul de temperatură „100 °C, 60 de minute” este utilizat pentru: <ul style="list-style-type: none"><li>• Digestia eșantioanelor care utilizează setul de pregătire a metalelor</li><li>• Identificarea fosfatului și cromului</li><li>• Digestia metalelor grele</li></ul>
105 °C	Crește temperatura cuvetelor la 105 °C, timp de 30, 60 sau 120 de minute.
150 °C	Crește temperatura cuvetelor la 150 °C, timp de 30, 60 sau 120 de minute.
165 °C	Crește temperatura cuvetelor la 165 °C, timp de 30, 60 sau 120 de minute.

## Programele utilizatorului


LT 200 are șase programe de temperatură care sunt configurate de utilizator (PRG1 - PRG6). DRB 200 are trei programe de temperatură care sunt configurate de utilizator (PRG1 - PRG3).

Pentru a configura un program de temperatură al utilizatorului:

1. Selectați un program de temperatură al utilizatorului utilizând tastele.
2. Apăsăți **Prog** pentru a intra în modul de programare.
3. Selectați un nume din 4 caractere pentru program. Apăsăți tasta stângă pentru a schimba caracterul. Apăsăți tasta dreaptă pentru a deplasa cursorul la următoarea poziție. Apăsăți **OK** pentru a salva modificarea.
4. Apăsăți sau mențineți apăsată tasta săgeată sus și jos pentru a seta temperatura (37 - 150 °C). Apăsăți **OK** pentru a salva modificarea.

- Apăsați sau mențineți apăsată tastele săgeată sus și jos pentru a seta timpul (0 - 480 de minute). Apăsați **OK** pentru a salva modificarea.
- Apăsați **OK** pentru a salva programul.

## Întreținerea


<b>▲ ATENȚIE</b>	
	Pericole multiple. Numai personalul calificat trebuie să efectueze activitățile descrise în această secțiune a documentului.

<b>NOTĂ</b>	
Nu demontați instrumentul pentru întreținere. În cazul în care componentele interne trebuie curățate sau reparate, contactați producătorul.	

## Curățarea instrumentului

Pentru ca instrumentul să funcționeze în mod continuu și precis, păstrați-l curat.

<b>▲ ATENȚIE</b>	
	Pericol de incendiu. Nu utilizați agenți inflamabili pentru a curăța instrumentul.

<b>▲ ATENȚIE</b>	
	Pericol de arsuri. Nu curățați instrumentul când este fierbinte.

<b>NOTĂ</b>	
Pentru a preveni deteriorarea instrumentului, nu utilizați niciodată agenți de curățare precum terebentina, acetona sau produse similare pentru a curăța instrumentul, inclusiv afișajul.	

- Oprii instrumentul și deconectați cablul de alimentare.

- Când instrumentul este rece, curățați suprafața instrumentului cu o cârpă moale și umedă și o soluție slabă de apă și săpun. Asigurați-vă că nu pătrunde apă în instrument.

Dacă se varsă lichidul dintr-o cuvetă sau dacă se sparge o cuvetă:

- Oprii instrumentul și deconectați cablul de alimentare.
- Lăsați să scadă temperatura unității(ilor) de încălzire și a cuvetelor, până când acestea se răcesc.
- Scoateți lichidul cu o pipetă. Nu permiteți contactul lichidului cu pielea.
- Mutați lichidul în dispozitivul de evacuare corect.
- Scoateți sticla spartă utilizând penseta. Îndepărtați orice urmă de lichid din instrument. Nu permiteți contactul lichidului cu pielea.

## Măsurarea temperaturii unității de încălzire

Măsurați temperatura unității de încălzire pentru a vă asigura că temperatura de pe afișaj este corectă.

Temperatura de pe afișaj corespunde temperaturii dintr-o cuvetă închisă, umplută cu lichid. În timp ce temperatura unității de încălzire crește, temperatura unității de încălzire în apropierea încălzitorului poate fi mai mare decât temperatura de pe afișaj.

Unelte necesare:

- Cuvetă (LT 200: LCW906, DRB 200: 2275800)
- Glicerină (anhidră), 5 mL
- Termometru cu tijă, calibrat pentru 95 -155 °C (203 - 311 °F), tip 67C pentru ASTM

Pentru a măsura temperatura unității de încălzire:

- Umpleți o cuvetă curată cu glicerină la temperatura camerei.
- Introduceți termometrul în cuvetă până când termometrul atinge fundul cuvetei.
- LT 200: Asigurați-vă că nivelul glicerinei este de 62 mm ± 0,5 mm (2,44 in. ± 0,02 in.) de la fundul cuvetei în timp ce termometrul se află în cuvetă.

- DRB 200: Asigurați-vă că nivelul glicerinei este de 56 mm ± 0,5 mm (2,20 in. ± 0,02 in.) de la fundul cuvetei în timp ce termometrul se află în cuvetă.
- Așezați cuvetă în orificiul central al celui de al doilea rând al unității de încălzire.
- Selectați un program de temperatură de 100 °C timp de 60 de minute, utilizând tastele, apoi apăsați **OK**.
- Când unitatea de încălzire este la temperatura selectată (se aud două semnale sonore), temperatura termometrului trebuie să fie egală cu temperatura de pe afișaj.

## Depanarea

Pentru mesajele de eroare, cauze posibile și acțiuni de remediere, consultați [Tabelul 5](#).

**Tabelul 5 Mesaje de eroare**

Eroare	Soluție
UNITATEA ESTE PREA FIERBINTE! VĂ RUGĂM AȘTEPTAȚI	Temperatura unității de încălzire este mai mare decât temperatura selectată. Așteptați până când temperatura unității de încălzire scade.
EROARE DE ÎNIȚIALIZARE	Instrumentul este defect. Contactați Serviciul de relații cu clienții.

## Piese de schimb și accesorii

### ▲ AVERTISMENT



Pericol de vătămare corporală. Utilizarea pieselor neaprobate poate cauza vătămare corporală, deteriorarea instrumentului sau defectarea echipamentului. Piese de schimb din această secțiune sunt aprobate de producător.

**Notă:** Numerele de produs și articol pot să varieze pentru unele regiuni de comercializare. Contactați distribuitorul corespunzător sau consultați site-ul Web al companiei pentru informații de contact.

## Piese de schimb

Descriere	Cantitate	Nr. articol
Carcasă de protecție	1	LZT048

## Accesorii—DRB 200

Descriere	Cantitate	Nr. articol
Adaptor de reducere, 20 > 16 mm	1	HHA155
Adaptor de reducere, 16 > 13 mm	1	2895805
Tub, 16 x 100 mm	1	2275800
Tub, 16 x 100 mm	6	2275806
Termometru, 0 - 200 °C	1	4565500

## Turinys

<a href="#">Techniniai duomenys</a> Puslapyje 156	<a href="#">Veikimas</a> Puslapyje 161
<a href="#">Bendrojo pobūdžio informacija</a> Puslapyje 156	<a href="#">Techninė priežiūra</a> Puslapyje 164
<a href="#">Įmontavimas</a> Puslapyje 158	<a href="#">Trikčių šalinimas</a> Puslapyje 165
<a href="#">Naudotojo sąsąją ir naršymas</a> Puslapyje 160	<a href="#">Atsarginės dalys ir priedai</a> Puslapyje 165
<a href="#">Paleidimas</a> Puslapyje 161	

## Techniniai duomenys

Techniniai duomenys gali būti keičiami neperspėjus.

Techniniai duomenys	Išsami informacija
Matmenys	25 x 14,5 x 31 cm (9,8 x 5,7 x 12,2 in)
Svoris	Vienas kaitinimo blokas: 2 kg (4,4 lb) Du kaitinimo blokai: 2,8 kg (6,17 lb)
Maitinimo reikalavimai	100–240 V, +5 % / –15 %, 50/60 Hz, I apsaugos klasė
Naudojama galia	Vienas kaitinimo blokas: 115 V: 300 W; 230 V: 450 W Du kaitinimo blokai: 115 V: 600 W; 230 V: 900 W
Laikymo temperatūra	nuo –40 iki 60 °C (nuo –40 iki 140 °F)
Darbinė temperatūra	10–45 °C (50–113 °F)
Darbinis drėgnis	90 % (be kondensacijos)
Temperatūros intervalas	LT 200: nuo 37 iki 150 °C (nuo 98,6 iki 302 °F) DRB 200: nuo 37 iki 165 °C (nuo 98,6 iki 329 °F) Laikmatis: 0–480 minučių
Temperatūros stabilumas	LT 200: ± 1 °C (± 2 °F) DRB 200: ± 2 °C (± 3,5 °F)

Techniniai duomenys	Išsami informacija
Įkaitimo greitis	LT 200: 20–148 °C (68–298 °F) per 10 minučių (pagal DIN 38409-44) DRB 200: 20–150 °C (68–302 °F) per 10 minučių
Sertifikavimas	CE ir „cTUVus“

## Bendrojo pobūdžio informacija

Gamintojas jokiū būdu nėra atsakingas už tiesioginę, netiesioginę, specialią, atsitiktinę arba didelę žalą, kuri būtų padaryta dėl šio vadovo bet kokio defekto ar praleidimo. Gamintojas pasilieka teisę bet kada iš dalies pakeisti šį vadovą ir jame aprašytus produktus nepranešdamas apie keitimą ir neprisiimdamas įsipareigojimų. Pataisytuosius leidimus rasite gamintojo žiniatinklio svetainėje.

## Saugos duomenys

### PASTABA

Gamintojas nėra atsakingas už jokus nuostolius dėl netinkamo šio gaminio taikymo ar naudojimo, įskaitant tiesioginius, atsitiktinius ir šalutinius nuostolius, bet tuo neapsiribojant, ir nepripažįsta jokios atsakomybės už tokius nuostolius, kiek tai leidžia galiojantys įstatymai. Tik naudotojas yra atsakingas už taikymo lemiamo pavojaus nustatymą ir tinkamų mechanizmų procesams apsaugoti per galimą įrangos triktį įrengimą.

Perskaitykite visą šį dokumentą prieš išpakuodami, surinkdami ir pradėdami naudoti šį įrenginį. Atkreipkite dėmesį į visus įspėjimus apie pavojų ir atsargumo priemones. Priešingu atveju įrenginio naudotojas gali smarkiai susižeisti arba sugadinti įrenginį.

Įsitikinkite, kad šio įrenginio apsauga nepažeista. Nenaudokite ir nemontuokite šio įrenginio kitokiu būdu, nei nurodyta šiame vadove.

## Informacijos apie pavojų naudojimas

### ▲ PAVOJUS

Žymi galimą arba neišvengiamą pavojingą situaciją, į kurią pakliuvus galima mirtinai ar stipriai susižeisti.

## ⚠ ĮSPĖJIMAS

Žymi galimą arba neišvengiamą pavojingą situaciją, kurios nevengiant gali grėsti mirtis ar stiprus sužeidimas.

## ⚠ ATSARGIAI





Žymi galimą pavojingą situaciją, dėl kurios galima lengvai ar vidutiniškai susižeisti.

## PASTABA

Žymi situaciją, kurios neišvengus gali būti sugadintas prietaisas. Informacija, kuriai reikia skirti ypatingą dėmesį.

### Apie pavojų perspėjančios etiketės

Perskaitykite visas prie prietaiso pritvirtintas etiketes ir žymas. Nesilaikant nurodytų įspėjimų galima, susižaloti arba sugadinti prietaisą. Jeigu šie simboliai pažymėti ant prietaiso, jie bus pateikti instrukcijoje šalia įspėjimų apie pavojų ar atsargumo priemonių.

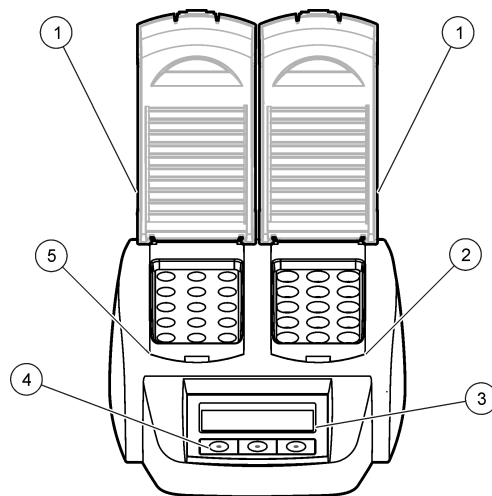
	Šis simbolis, jeigu juo pažymėtas įtaisas, reiškia, kad turite skaityti naudojimo vadovą ir (arba) saugos informaciją.
	Šiuo simboliu pažymėto elektros įrenginio negalima išmesti namų arba viešosiose atliekų išmetimo vietose Europoje. Nemokamai grąžinkite nebenaudojamą įrangą gamintojui, kad ji būtų再利用uota.
	Šis ženklas reiškia, kad pažymėtoji dalis gali būti įkaitusi, ir norint ją paliesti yra būtina imtis atsargumo priemonių.
	Šis simbolis rodo, kad juo pažymėtam gaminiui reikalingas apsauginis įžeminimas. Jei prietaisas pristatomas be įžeminimo kištuko, kuris turėtų būti ant laido, turi būti užtikrintas apsauginio laidininko gnybtų apsauginis įžeminimas.

## Gaminio apžvalga

Šis prietaisas turi vieną arba du kaitinimo blokus, kurie nurodytam laikui padidina tirpalų temperatūrą apvaliuose mėginių elementuose iki nurodytos temperatūros ([Paveikslėlis 1](#)).

Prietaise LT 200 yra trys atmintyje įrašytos temperatūros programos ir šešios naudotojo konfigūruojamos ir išsaugomos temperatūros programos. Prietaise DRB 200 yra šešios atmintyje įrašytos temperatūros programos ir trys naudotojo konfigūruojamos ir išsaugomos temperatūros programos.

### Paveikslėlis 1 Vaizdas iš priekio



1 Apsauginis gaubtas	3 Ekranas	5 Kairysis kaitinimo blokas
2 Dešinysis kaitinimo blokas	4 Klavišai	

## Įmontavimas

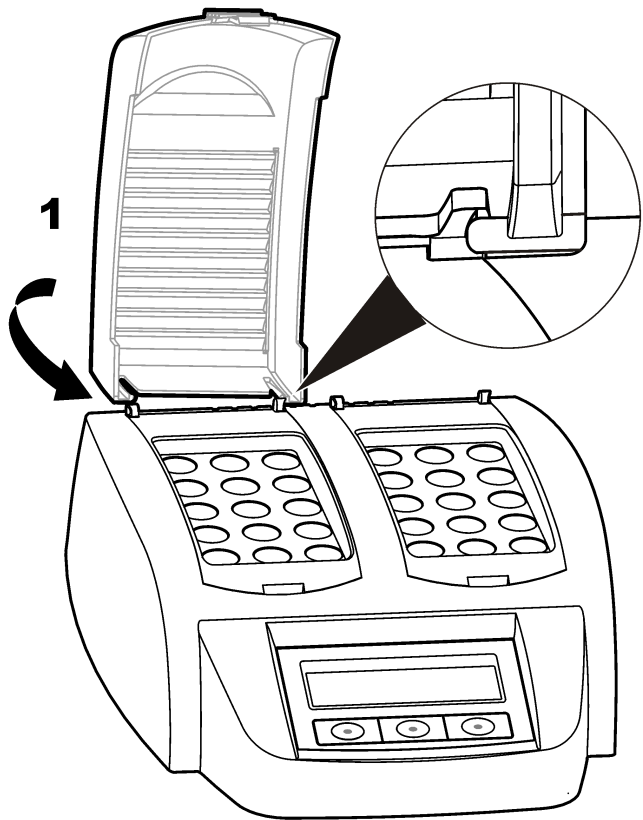
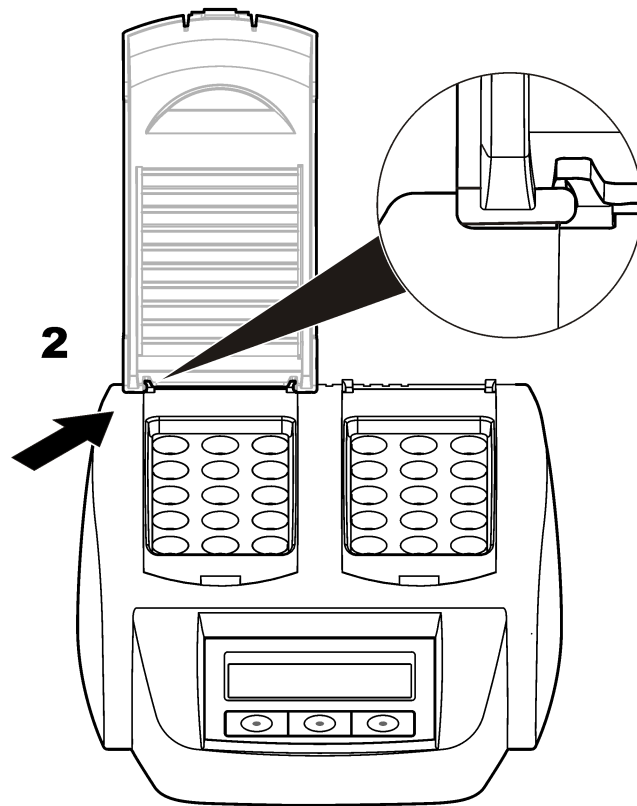
Žr. toliau pateiktas iliustracijas.

### Uždėkite apsauginius gaubtus

#### ⚠ ĮSPĖJIMAS



Pavojus patirti smūgį ir nudegti. Kad būtų išvengta traumų, būtina uždėti apsauginį gaubtą. Apsauginis gaubtas apsaugo nuo nudegimų ir neleidžia maitinimo laidui liestis prie kaitinimo bloko.

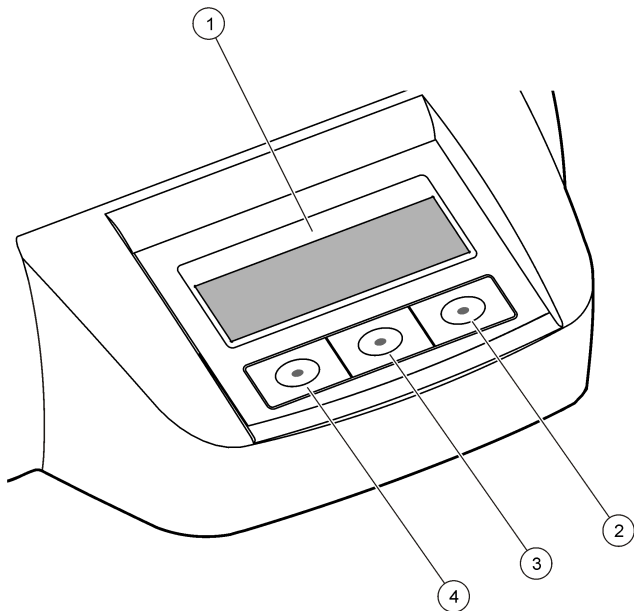
**1****2**

## Naudotojo sąsaja ir naršymas

### Naudotojo sąsaja

Prietaisas yra valdomas trimis klavišais, esančiais po ekranu (**Paveikslėlis 2**). Kiekvieno klavišo funkcija rodoma ekrane. Jeigu klavišui nerodoma jokia funkcija, šis klavišas šiuo menu nėra aktyvus.

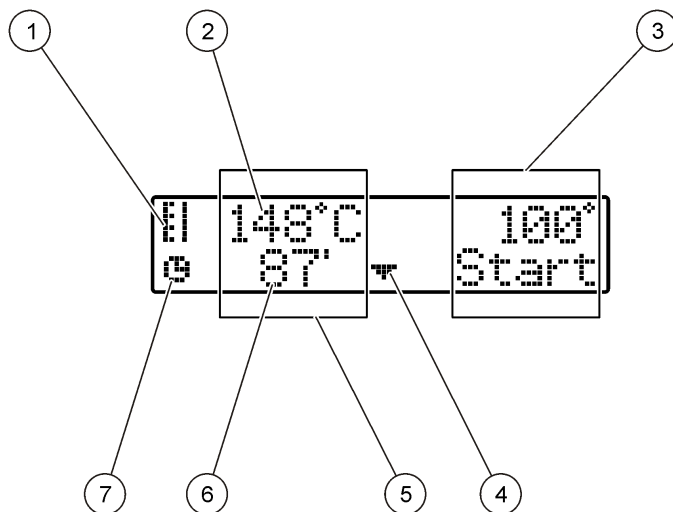
#### Paveikslėlis 2 Klaviatūros mygtukų aprašymas



1 Ekranas	3 Vidurinis klavišas
2 Dešinysis klavišas	4 Kairysis klavišas

## Ekranu aprašymas

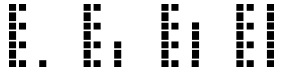
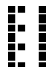
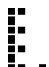
**Paveikslėlis 3** Ekranu kas nors rodoma tik tuomet, kai veikia programa kairiajame kaitinimo bloke



1 Termometro simbolis	5 Kairysis kaitinimo blokas
2 Kaitinimo bloko temperatūra	6 Likęs laikas
3 Dešinysis kaitinimo blokas	7 Laikmačio simbolis
4 Rodyklės žemyn klavišas (naudokite programai pasirinkti)	



Lentelė 1 Termometro simboliai

Simbolis	Aprašymas
	Kaitinimo bloko temperatūra didėja.
	Kaitinimo bloke palaikoma pasirinkta temperatūra.
	Kaitinimo bloko temperatūra mažėja.

## Paleidimas

### Prietaiso įjungimas

#### PASTABA

Neišjunkite ir neįjunkite prietaiso greitai, nes taip galite jį sugadinti. Visada palaukite apie 20 sekundžių prieš vėl įjungdami prietaisą.

1. Pastatykite prietaisą ant stabilaus, horizontalaus, karščiui atsparaus paviršiaus.
2. Prijunkite maitinimo laidą prie maitinimo jungties prietaiso gale.
3. Prijunkite maitinimo laidą prie maitinimo lizdo su įžeminimo kontaktu.
4. Paspauskite maitinimo jungiklį prietaiso gale norėdami įjungti prietaisą.

Pirmą kartą įjungus prietaisą, rodomas kalbos pasirinkimo langas. Žr. skyrių [Pasirinkite kalbą](#) Puslapyje 161.

### Pasirinkite kalbą

1. Laikykite paspaudę kairįjį klavišą ir įjunkite prietaisą.
2. Paspauskite rodyklės dešininį klavišą norėdami slinkti per meniu. Atėjus iki meniu galo ekranas grįš į meniu pradžią.

3. Kai rodoma reikiama kalba, paspaudę klavišą ją pasirinkite. Žr. skyrių [Lentelė 2](#).



Lentelė 2 Kalbos nustatymai

Nustatymas	Kalba	Nustatymas	Kalba
GB	Anglų	E	Ispanų
D	Vokiečių	NL	Olandų
F	Prancūzų	S	Švedų
I	Italų	PL	Lenkų


### Ekranų kontrastingumo nustatymas

1. Laikykite paspaudę vidurinį klavišą ir įjunkite prietaisą.
2. Spustelėdami arba laikydami paspaudę rodyklį aukštyn ir žemyn klavišus galite keisti kontrastingumo reikšmę.
3. Paspauskite **OK** (gerai) norėdami išsaugoti pakeitimus.

### Veikimas

<b>⚠ PAVOJUS</b>	
	Sąlyčio su cheminėmis medžiagomis pavojus. Vykdykite laboratorijos saugos procedūras ir dėvėkite visas asmeninės saugos priemones, tinkančias naudojamiems chemikalams. Saugos protokolai nurodyti galiojančiuose saugos duomenų lapuose (MSDS / SDS).
	

### Įprastinis darbas

<b>⚠ ATSARGIAI</b>	
	Pavojus nudegti. Nekiškite pirštų į angą kaitinimo bloke. Uždarykite apsauginį gaubtą prieš didindami kaitinimo bloko temperatūrą ir visada dirbdami laikykite jį uždarytą.

### ⚠️ ATSARGIAI



Pavojus nudegti. Mėginių elementai yra karšti. Dėvėkite šilumą izoliuojančias priemones (pvz., pirštines arba pirštų apsaugas). Neišimkite mėginio elemento, kurio temperatūra aukštesnė nei 80 °C. Nedėkite mėginio elemento, kurio temperatūra aukštesnė nei 80 °C, į kolorimetrą.

### ⚠️ ATSARGIAI



Cheminis pavojus. Jeigu mėginio elementas sudužo, saugokitės, kad skystis nepatektų ant odos. Jeigu reikia, naudokite garų gaubtą, kad pašalintumėte chemikalų garus.

### ⚠️ ATSARGIAI



Sąlyčio su cheminėmis medžiagomis pavojus. Chemikalus ir atliekas išmeskite pagal vietas, regiono ir valstybinės taisykles.

### PASTABA

Kad nesugadintumėte mėginio elemento ir prietaiso, kaitinimo bloko angos turi būti sausos. Visiškai išdžiovinkite mėginių elementų išorinį paviršių.

### PASTABA

Kad nesugadintumėte prietaiso, iškart atjunkite maitinimą, jeigu netyčia išsiliejo skystis arba sudužo mėginio elementas, tada išvalykite prietaisą. Žr. skyrių [Prietaiso valymas](#) Puslapyje 164.

### PASTABA

Neuždenkite apsauginio gaubto ventiliacinių plyšių. Prietaisais ir mėginių elementais gali per daug įkaisti, dėl to sumažės matavimo tikslumas.

1. Paruoškite tiriamųjų mėginių elementus, kaip nurodyta analizės procedūroje.
2. Uždarykite mėginių elementus dangteliais.
3. Visiškai išdžiovinkite mėginių elementų išorinį paviršių.
4. Įjunkite prietaisą ir atidarykite apsauginį gaubtą. Paskutinė pasirinkta temperatūros programa (-os) rodoma (-os) ekrane.
5. Jeigu naudojate 16 mm mėgintuvėlius, kai kaitinimo bloko angos yra 20 mm, į angas įdėkite mažinančius adapterius.

6. LT 200: įdėkite tiriamųjų mėginių elementus į reikiamą kaitinimo bloką ir uždarykite apsauginį gaubtą.
7. Klavišais pasirinkite reikiamą temperatūros programą (ir apdoravimo laikotarpį, jei reikia), tada paspauskite **Start** (pradėti). Žr. skyrių [Išsaugotos programos](#) Puslapyje 162. Kai yra du kaitinimo blokai, temperatūros programa pasirenkama atskirai kiekvienam kaitinimo blokui.

*Pastaba: Norėdami sustabdyti programą, du kartus paspauskite klavišą po programą.*

LT 200: pradedama apdoravimo programa. Kaitinimo bloko temperatūra didėja iki pasirinktos temperatūros, tada laikas automatiškai skaičiuojamas iki nulio (0). Apdoravimo programai pasibaigus, pasigirsta trys pyptelėjimai ir šildytuvai išjungiamas.

DRB 200: kaitinimo bloko temperatūra padidinama iki pasirinkto temperatūros lygio.

8. DRB 200: kai kaitinimo bloke pasiekiami pasirinkta temperatūra (pasigirsta du pyptelėjimai), įdėkite tiriamųjų mėginių elementus į reikiamą kaitinimo bloką ir uždarykite apsauginį gaubtą. Paspauskite **Start** (pradėti), kad paleistumėte apdoravimo programą.

Apdoravimo programai pasibaigus, pasigirsta trys pyptelėjimai ir šildytuvai išjungiamas.

## Išsaugotos programos

[Lentelė 3](#): pateikiamas prietaise LT 200 įrašytų temperatūros programų aprašas. [Lentelė 4](#): pateikiamas prietaise DRB 200 įrašytų temperatūros programų aprašas.

**Lentelė 3 Įrašytos programos – LT 200**

Programa	Aprašas
COD	Padidina mėginių elementų temperatūrą iki 148 °C ir laiko 120 minučių. Vėsinimo fazėje pasigirs keturi pyptelėjimai, kai mėginių elementų temperatūra bus 80 °C. Išimkite ir atsargiai apverskite mėginių elementus keletą kartų, prieš leisdami jiems atvėsti lentynoje. COD temperatūros programa gali būti naudojama atliekant visus COD mėginio elemento tyrimus.
100 °C	Padidina mėginių elementų temperatūrą iki 100 °C ir laiko 10, 60 arba 120 minučių. Pavyzdžiui, „100 °C, 60 minučių“ temperatūros programa yra naudojama norint: <ul style="list-style-type: none"> <li>• Identifikuoti fosfatus ir chromą</li> <li>• Tikrinti sunkiuosius metalus</li> <li>• Tikrinti mėginius naudojant „LCW 902 Crack“ rinkinį</li> </ul>
40 °C	Padidina mėginių elementų temperatūrą iki 40 °C ir laiko 10 minučių. Pavyzdžiui, „40 °C, 10 minučių“ temperatūros programa yra naudojama formaldehido tyrimams arba fermentinio maisto tyrimams atlikti.

**Lentelė 4 Įrašytos programos – DRB 200**

Programa	Aprašas
COD	Padidina mėginių elementų temperatūrą iki 150 °C ir laiko 120 minučių. Vėsinimo fazėje pasigirs keturi pyptelėjimai, kai mėginių elementų temperatūra bus 120 °C. Išimkite ir atsargiai apverskite mėginių elementus keletą kartų, prieš leisdami jiems atvėsti lentynoje.
TOC	Padidina mėginių elementų temperatūrą iki 105 °C ir laiko 120 minučių. TOC temperatūros programa gali būti naudojama atliekant visus „Hach“ TOC mėginio elemento testus.

**Lentelė 4 Įrašytos programos – DRB 200 (tęsinys)**

Programa	Aprašas
100 °C	Padidina mėginių elementų temperatūrą iki 100 °C ir laiko 30, 60 arba 120 minučių. Pavyzdžiui, „100 °C, 60 minučių“ temperatūros programa yra naudojama norint: <ul style="list-style-type: none"> <li>• Tikrinti mėginius naudojant metalų paruošimo rinkinį</li> <li>• Identifikuoti fosfatus ir chromą</li> <li>• Tikrinti sunkiuosius metalus</li> </ul>
105 °C	Padidina mėginių elementų temperatūrą iki 105 °C ir laiko 30, 60 arba 120 minučių.
150 °C	Padidina mėginių elementų temperatūrą iki 150 °C ir laiko 30, 60 arba 120 minučių.
165 °C	Padidina mėginių elementų temperatūrą iki 165 °C ir laiko 30, 60 arba 120 minučių.


## Naudotojo programos

Prietaise LT 200 yra šešios naudotojo konfigūruojamos temperatūros programos (PRG1–PRG6). Prietaise DRB 200 yra trys naudotojo konfigūruojamos temperatūros programos (PRG1–PRG3).

Norėdami konfigūruoti naudotojo temperatūros programą:

1. Klavišais pasirinkite naudotojo temperatūros programą.
2. Paspauskite **Prog**, kad įjungtumėte programavimo režimą.
3. Pasirinkite 4 simbolių programos pavadinimą. Spausdami kairįjį klavišą galite keisti simbolį. Paspaudę rodyklės dešinį klavišą perkelsite žymeklį į kitą padėtį. Paspauskite **OK** (gerai), kad išsaugotumėte pakeitimus.
4. Spustelėkite arba laikykite paspaudę rodyklių aukštyn ar žemyn klavišus, norėdami nustatyti temperatūrą (nuo 37 iki 150 °C). Paspauskite **OK** (gerai), kad išsaugotumėte pakeitimus.
5. Spustelėkite arba laikykite paspaudę rodyklių aukštyn ar žemyn klavišus, norėdami nustatyti laiką (nuo 0 iki 480 minučių). Paspauskite **OK** (gerai) norėdami išsaugoti pakeitimus.
6. Paspauskite **OK** (gerai) norėdami išsaugoti programą.


## Techninė priežiūra

<b>⚠️ ATSARGIAI</b>	
	Įvairūs pavojai. Šiame dokumento skyriuje aprašytas užduotis turi vykdyti tik kvalifikuoti darbuotojai.

<b>PASTABA</b>	
Neardykite prietaiso atlikdami techninę priežiūrą. Jeigu vidinius komponentus reikia valyti arba remontuoti, kreipkitės į gamintoją.	

### Prietaiso valymas

Prietaisas visada turi būti švarus, kad galėtumėte nepertraukiamai ir tiksliai dirbti.

<b>⚠️ ATSARGIAI</b>	
	Gaisro pavojus. Nenaudokite degių medžiagų prietaisui valyti.

<b>⚠️ ATSARGIAI</b>	
	Pavojus nudegti. Nevalykite prietaiso, kai jis karštas.

<b>PASTABA</b>	
Kad nesugadintumėte prietaiso, nenaudokite tokių valomųjų medžiagų kaip terpentinas, acetonas ar panašūs produktai prietaisui ir ekranui valyti.	

1. Išjunkite prietaisą ir atjunkite maitinimo laidą.
2. Kai prietaisas atauš, nuvalykite jo paviršių švelniu drėgnu skudurėliu ir silpnu muilo tirpalu. Saugokite, kad į prietaisą nepatektų vandens.

Jeigu į mėginio elementą pateko skysčio arba jis sudužo:

1. Išjunkite prietaisą ir atjunkite maitinimo laidą.
2. Palaukite, kol šildymo bloko (-ų) ir mėginių elementų temperatūra nukris.

3. Pašalinkite skystį pipete. Saugokite, kad skysčio nepatektų ant odos.
4. Tinkamai pašalinkite skystį.
5. Pincetu išimkite stiklo šukes. Pašalinkite visą prietaise likusį skystį. Saugokite, kad skysčio nepatektų ant odos.

### Pamatuokite kaitinimo bloko temperatūrą

Pamatuokite kaitinimo bloko temperatūrą, kad įsitikintumėte, jog ekrane rodoma temperatūra yra teisinga.

Ekrane rodoma temperatūra yra skysčio pripildyto uždaryto mėginio elemento temperatūra. Kol kaitinimo bloko temperatūra auga, prie šildytuvo ji gali būti didesnė nei rodoma ekrane.

Reikalingi įrankiai:

- Mėginio elementas (LT 200: LCW906, DRB 200: 2275800)
- Glicerolis (be vandens), 5 ml
- Termometras, stulpelinis, kalibruotas 95–155 °C (203–311 °F), tipas 67C–ASTM

Norėdami pamatuoti kaitinimo bloko temperatūrą:

1. Pripildykite švarų, tuščią mėginio elementą kambario temperatūros glicerolio.
2. Statykite termometrą į mėginio elementą, kol termometras palies mėginio elemento dugną.
3. LT 200: įsitinkinkite, kad glicerolio lygis yra 62 mm ± 0,5 mm (2,44 col. ± 0,02 col.) nuo mėginio elemento dugno, kai termometras įstatytas į mėginio elementą.
4. DRB 200: įsitinkinkite, kad glicerolio lygis yra 56 mm ± 0,5 mm (2,20 col. ± 0,02 col.) nuo mėginio elemento dugno, kai termometras įstatytas į mėginio elementą.
5. Įstatykite mėginio elementą į kaitinimo bloko antros eilės centrinę angą.

6. Klavišais paleiskite temperatūros programą 100 °C, nustatytą 60 minučių, tada paspauskite **OK** (gerai).
7. Kai pasiekiami pasirinkta kaitinimo bloko temperatūra (pasigirsta du pyptelėjimai), termometro temperatūra turi būti tokia pat kaip ir rodoma ekrane.

## Trikčių šalinimas

Žiūrėkite [Lentelė 5](#), ten pateikiami klaidų pranešimai, galimos priežastys ir koreguojamieji veiksmai.

**Lentelė 5 Klaidų pranešimai**

Klaida	Sprendimas
BLOCK IS TOO HOT! (blokas per karštas!) PLEASE WAIT (palaukite)	Kaitinimo bloko temperatūra yra aukštesnė negu pasirinkta. Palaukite, kol kaitinimo bloko temperatūra sumažės.
INIT ERROR (inicijavimo klaida)	Prietaisas sugedęs. Kreipkitės į klientų aptarnavimo tarnybą.

## Atsarginės dalys ir priedai

⚠   SPĖJIMAS	
	Pavojus susižeisti. Naudojant nepatvirtintas dalis galima sužaloti žmogus, sugadinti prietaisą arba įrangą gali imti blogai veikti. Šiame skyriuje nurodytos atsarginės dalys yra patvirtintos gamintojo.

**Pastaba:** Kai kuriuose pardavimo regionuose gaminių ir prekių numeriai gali skirtis. Kreipkitės į atitinkamą pardavimo agentą arba apsilankykite bendrovės tinklalapyje, kur rasite informaciją apie asmenis, į kuriuos galite kreiptis.

### Atsarginės dalys

Aprašas	Kiekis	Prekės Nr.
Apsauginis gaubtas	1	LZT048

### Priedai – DRB 200

Aprašas	Kiekis	Prekės Nr.
Mažinantis adapteris, 20 > 16 mm	1	HHA155
Mažinantis adapteris, 16 > 13 mm	1	2895805
Mėgintuvėlis, 16 x 100 mm	1	2275800
Mėgintuvėlis, 16 x 100 mm	6	2275806
Termometras, 0–200 °C	1	4565500

## Содержание

Характеристики на стр. 166

Общая информация на стр. 166

Монтаж на стр. 168

Пользовательский интерфейс и навигация на стр. 170

Запуск на стр. 171

Эксплуатация на стр. 172

Обслуживание на стр. 174

Поиск и устранение проблем на стр. 175

Запасные части и аксессуары на стр. 176

## Характеристики

Характеристики могут быть изменены без предварительного уведомления.

Характеристика	Подробности
Габариты	25 x 14,5 x 31 см (9,8 x 5,7 x 12,2")
Масса	С одним нагревательным блоком: 2 кг (4,4 фунтов) С двумя нагревательными блоками: 2,8 кг (6,17 фунтов)
Требования к электропитанию	100–240 В, +5%/–15%, 50/60 Гц, класс защищенности I
Подводимая мощность	С одним нагревательным блоком: 115 В: 300 ВА; 230 В: 450 ВА С двумя нагревательными блоками: 115 В: 600 ВА; 230 В: 900 ВА
Температура хранения	От –40 до 60 °C (от –40 до 140 °F)
Рабочая температура	от 10 до 45 °C (от 50 до 113 °F)
Рабочая влажность	90% (без конденсации)

Характеристика	Подробности
Диапазон температур	LT 200: от 37 до 150 °C (от 98,6 до 302 °F) DRB 200: от 37 до 165 °C (от 98,6 до 329 °F)
	Таймер: от 0 до 480 минут
Стабильность температуры	LT 200: $\pm 1$ °C ( $\pm 2$ °F) DRB 200: $\pm 2$ °C ( $\pm 3,5$ °F)
Скорость нагрева	LT 200: от 20 до 148 °C (от 68 до 298 °F) за 10 мин (в соответствии с DIN 38409-44) DRB 200: от 20 до 150 °C (от 68 до 302 °F) за 10 минут
Сертификация	CE и cTUVus

## Общая информация

Производитель ни при каких обстоятельствах не несет ответственности за прямой, не прямой, умышленный, неумышленный или косвенный ущерб в результате любых недочетов или ошибок, содержащихся в данном руководстве. Производитель оставляет за собой право вносить изменения в руководство или описанную в нем продукцию без извещений и обязательств. Все обновления можно найти на веб-сайте производителя.

## Указания по безопасности

### УВЕДОМЛЕНИЕ

Изготовитель не несет ответственности за любые повреждения, вызванные неправильным применением или использованием изделия, включая, помимо прочего, прямой, неумышленный или косвенный ущерб, и снимает с себя ответственность за подобные повреждения в максимальной степени, допускаемой действующим законодательством. Пользователь несет исключительную ответственность за выявление критических рисков в работе и установку соответствующих механизмов для защиты обследуемой среды в ходе возможных неполадок оборудования.

Внимательно прочтите все руководство пользователя, прежде чем распаковывать, устанавливать или вводить в эксплуатацию

оборудование. Соблюдайте все указания и предупреждения относительно безопасности. Их несоблюдение может привести к серьезной травме обслуживающего персонала или выходу из строя оборудования.

Чтобы гарантировать, что обеспечиваемая оборудованием защита не нарушена, не используйте или не устанавливайте данное оборудование никаким иным способом, кроме указанного в данном руководстве.

### Информация о потенциальных опасностях

<b>▲ ОПАСНОСТЬ</b>
Указывает на потенциально или неизбежно опасные ситуации, которые, если их не избежать, приведут к смерти или серьезным травмам.





<b>▲ ПРЕДУПРЕЖДЕНИЕ</b>
Указывает на потенциально или неизбежно опасные ситуации, которые, если их не избежать, могут привести к смерти или серьезным травмам.

<b>▲ ОСТОРОЖНО</b>
Указывает на потенциально опасную ситуацию, которая может привести к травмам малой и средней тяжести.

<b>УВЕДОМЛЕНИЕ</b>
Указывает на ситуацию, которая, если ее не избежать, может привести к повреждению оборудования. Информация, на которую следует обратить особое внимание.

### Этикетки с предупредительными надписями

Прочитайте все наклейки и ярлыки на корпусе прибора. При несоблюдении указанных на них требований существует опасность получения травм и повреждений прибора. Нанесенный на корпус прибора предупредительный символ будет включен в руководство пользователя с предупреждением или указанием на опасность.

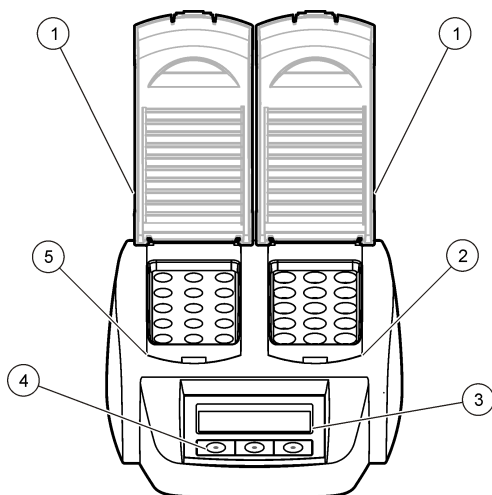
	Если данный символ нанесен на прибор, в руководстве по эксплуатации необходимо найти информацию об эксплуатации и/или безопасности.
	Возможен запрет на утилизацию электрооборудования, отмеченного этим символом, в европейских домашних и общественных системах утилизации. Пользователь может бесплатно вернуть старое или неработающее оборудование производителю для утилизации.
	Этот символ указывает, что отмеченный элемент может быть горячим, и прикасаться к нему следует с осторожностью.
	Этот символ указывает, что отмеченный элемент должен иметь защитное заземление. Если в комплект поставки прибора не входит электровилка с заземлением (на шнуре питания), следует подключить заземление к клемме защитного заземления.

### Основная информация о приборе

Данный прибор имеет один или два нагревательных блока, которые повышают температуру растворов в круглых ячейках для образцов до указанной температуры в течение указанного времени (Рисунок 1).

LT 200 имеет три сохраненные температурные программы и шесть температурных программ, которые может настраивать и сохранять пользователь. DRB 200 имеет шесть сохраненных температурных программ и три температурные программы, которые может настраивать и сохранять пользователь.

Рисунок 1 Вид спереди



1 Защитная крышка	3 Дисплей	5 Левый нагревательный блок
2 Правый нагревательный блок	4 Клавиши	

## Монтаж

### Установите защитные крышки

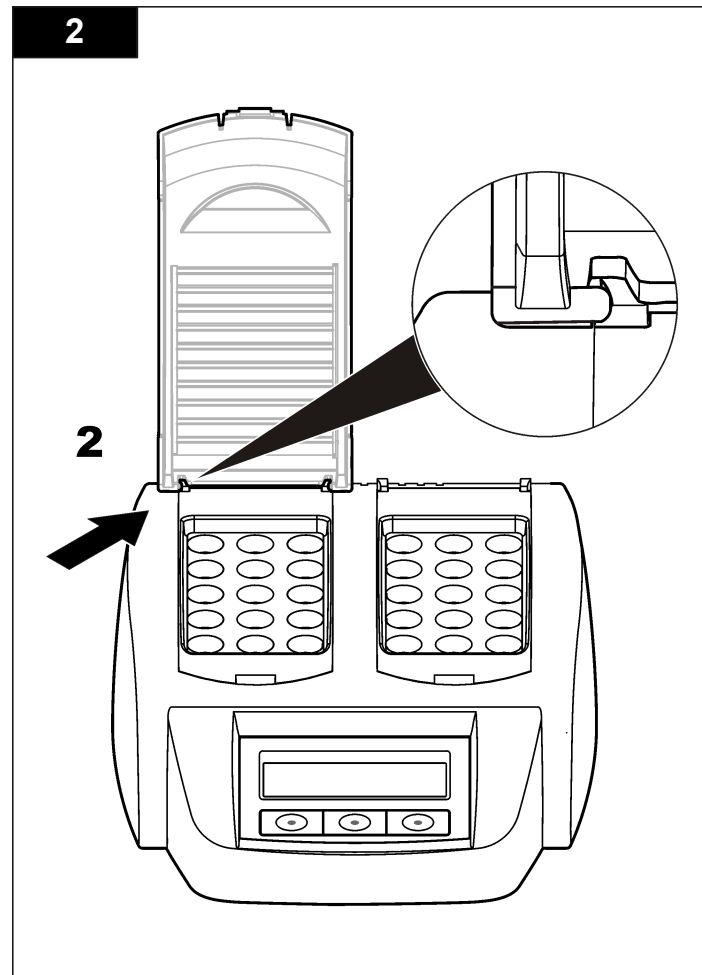
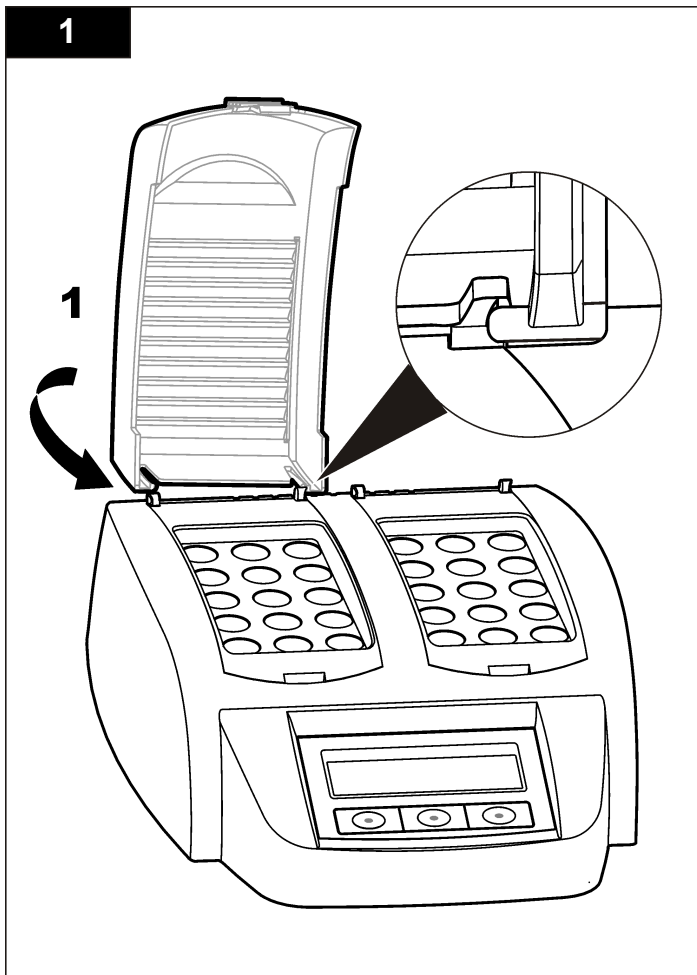
#### ▲ ПРЕДУПРЕЖДЕНИЕ



Опасность поражения током и ожога. Защитную крышку следует устанавливать во избежание травм. Защитная крышка защищает от ожогов и контакта кабеля питания с нагревательным блоком.

Следуйте инструкциям на нижеследующих иллюстрациях.



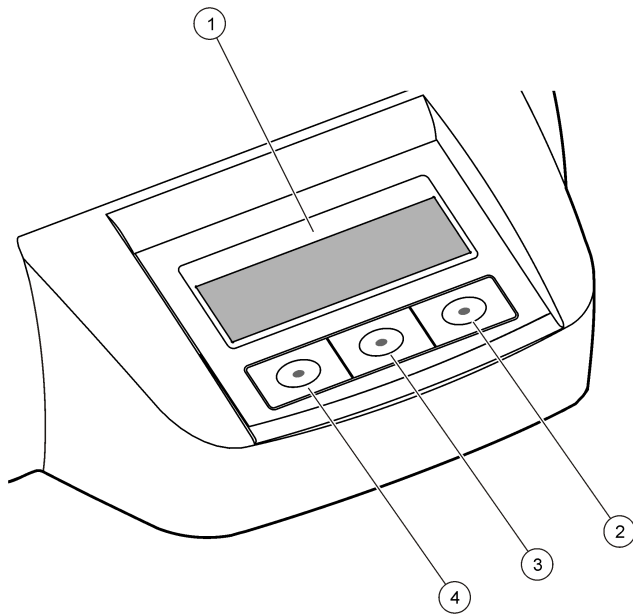


## Пользовательский интерфейс и навигация

### Пользовательский интерфейс

Прибор управляется тремя клавишами, расположенными под дисплеем (Рисунок 2). Функция каждой клавиши отображается на дисплее. Если для данной клавиши функция не отображается, то в данный момент она не активна.

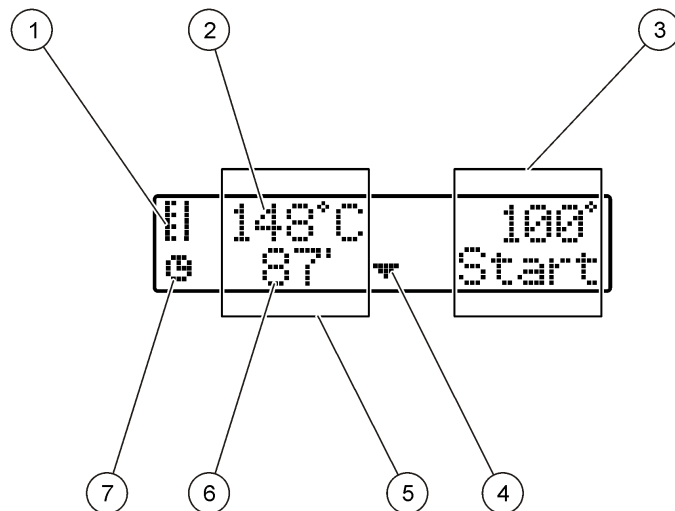
Рисунок 2 Описание клавиатуры



1 Экран	3 Средняя клавиша
2 Клавиша "стрелка вправо"	4 Клавиша "стрелка влево"

### Описание дисплея

Рисунок 3 Дисплей, когда программа активна только в левом блоке



1 Символ термометра	5 Левый нагревательный блок
2 Температура нагревательного блока	6 Оставшееся время
3 Правый нагревательный блок	7 Символ таймера
4 Клавиша "стрелка вниз" (для выбора программы)	

Таблица 1 Символы термометров

Символ	Наименование
	Нагревательный блок повышает температуру.
	Нагревательный блок поддерживает указанную температуру.
	Нагревательный блок понижает температуру.

## Запуск

### Включите прибор

#### УВЕДОМЛЕНИЕ

Недопустимо выключение и включение прибора за короткое время, т.к. это может привести к его повреждению. Всегда делайте паузу в 20 секунд перед повторным включением прибора.

1. Установите прибор на устойчивую, ровную, жароустойчивую поверхность.
2. Вставьте шнур питания в разъем на задней панели прибора.
3. Вставьте шнур питания в розетку с заземлением.
4. Нажмите выключатель питания на задней панели прибора, чтобы включить его.

При первом включении прибора отображается экран выбора языка. См. [Выберите язык](#) на стр. 171.

### Выберите язык

1. Удерживайте нажатой левую клавишу и включите прибор.

2. Нажмите клавишу "стрелка вправо", чтобы прокрутить меню. При достижении конца меню производится переход к началу меню.
3. Когда отображается требуемый язык, нажмите клавишу, соответствующую этому языку. См. [Таблица 2](#).

Таблица 2 Настройки языка

Настройка	Язык	Настройка	Язык
GB	английский	E	испанский
D	немецкий	NL	голландский
F	французский	S	шведский
I	итальянский	PL	польский

### Настройка контрастности дисплея

1. Удерживайте нажатой центральную клавишу и включите прибор.
2. Чтобы изменить контрастность дисплея, нажмите или удерживайте нажатыми клавиши "стрелка вверх" и "стрелка вниз".
3. Нажмите **OK** для сохранения изменений.

## Эксплуатация

### ▲ ОПАСНОСТЬ



Химическая опасность взрыва. Необходимо соблюдать правила техники безопасности и использовать индивидуальные средства защиты, соответствующие используемым химикатам. При составлении протоколов по технике безопасности воспользуйтесь действующими паспортами безопасности / паспортами безопасности материалов (MSDS/SDS).



## Повседневная эксплуатация

### ▲ ОСТОРОЖНО



Опасность ожога. Не касайтесь отверстия нагревательного блока. Закройте защитную крышку, прежде чем повышать температуру нагревательного блока, и всегда держите защитную крышку в закрытом положении во время работы аппарата.

### ▲ ОСТОРОЖНО



Опасность ожога. Ячейки для образцов горячие. Используйте термоизоляционные материалы (например, перчатки или напальчники). Не извлекайте ячейки для образцов, температура которых выше 80 °С. Не помещайте ячейки для образцов, температура которых выше 80 °С, в колориметр.

### ▲ ОСТОРОЖНО



Химическая опасность. В случае разрушения ячейки для образцов, не допускайте контакта жидкости с кожей. Вытяжной зонт следует, по мере необходимости, очищать от химических испарений.

### ▲ ОСТОРОЖНО



Химическая опасность взрыва. Утилизируйте химикаты и отходы в соответствии с местными, региональными и общегосударственными правилами и законами.

### УВЕДОМЛЕНИЕ

Во избежание повреждения ячейки для образцов и прибора, следите за чистой стороной нагревательного блока. Полностью просушите наружную сторону ячейки для образцов.

### УВЕДОМЛЕНИЕ

Во избежание повреждения прибора, немедленно отключите питание в случае непреднамеренной утечки или разрушения ячейки для образцов, затем прочистите прибор. См. [Очистка прибора](#) на стр. 174.

### УВЕДОМЛЕНИЕ

Не накрывайте вентиляционные отверстия в защитной крышке. Прибор и ячейки для образцов могут очень сильно нагреться, что снизит точность измерения.

1. Подготовьте ячейки для образцов согласно процедуре анализа
2. Закройте ячейки для образцов крышкой.
3. Полностью просушите внешнюю сторону ячейки с образцами.
4. Включите прибор и откройте защитную крышку. На дисплее отображается последняя выбранная температурная программа (программы).
5. При использовании 16-мм шлангов с нагревательным блоком с 20-мм отверстиями, установите уменьшающие адаптеры на отверстия.
6. LT 200: Установите испытательные ячейки для образцов в соответствующий нагревательный блок и закройте защитную крышку.
7. С помощью клавиш выберите нужную температурную программу (и период расщепления, если применимо), затем нажмите **Start** (Пуск). См. [Сохраненные программы](#) на стр. 173. Температурная программа выбирается независимо для каждого из температурных блоков, если в приборе установлено два нагревательных блока.

*Примечание:* Для остановки программы, два раза нажмите клавишу под программой.

LT 200: Запуск программы расщепления. Температура нагревательного блока повышается до указанной температуры,

затем автоматически производится отсчет в обратном порядке до нуля (0). По завершении программы расщепления прозвучат три сигнала, после чего нагреватель выключится.

DRB 200: Температура нагревательного блока растет до выбранного значения.

8. DRB 200: Когда нагревательный блок достигнет заданной температуры (прозвучат два сигнала), установите испытательные ячейки для образцов в соответствующий нагревательный блок и закройте защитную крышку. Нажмите **Start** (Пуск), чтобы запустить программу расщепления.

По завершении программы расщепления прозвучат три сигнала, после чего нагреватель выключится.

## Сохраненные программы

В [Таблица 3](#) приведено описание сохраненных температурных программ для LT 200. В [Таблица 4](#) приведено описание сохраненных температурных программ для DRB 200.

**Таблица 3 Сохраненные программы — LT 200**

Программа	Описание
ХПК	<p>Повышает температуру ячеек для образцов до 148 °C за 120 минут. В фазе охлаждения звучат четыре звуковых сигнала, когда ячейки для образцов нагреваются до 80 °C. Следует извлечь и несколько раз осторожно перевернуть ячейки для образцов, прежде чем температура в отсеке понизится.</p> <p>Температурная программа COD может использоваться для всех COD тестов с ячейками для образцов.</p>
100 °C	<p>Повышает температуру ячеек для образцов до 100 °C за 10, 60 или 120 минут.</p> <p>Например, температурная программа "100 °C, 60 минут", используется для:</p> <ul style="list-style-type: none"> <li>• Идентификации фосфата и хрома</li> <li>• Выдержки тяжелых металлов</li> <li>• Выдержки образцов с помощью набора LCW 902 Crack Set</li> </ul>
40 °C	<p>Повышает температуру ячеек для образцов до 40 °C за 10 минут.</p> <p>Например, температурная программа "40 °C, 10 минут", используется для формальдегидного теста или энзимных пищевых тестов:</p>

**Таблица 4 Сохраненные программы — DRB 200**

Программа	Описание
ХПК	<p>Повышает температуру ячеек для образцов до 150 °C за 120 минут. В фазе охлаждения звучат четыре звуковых сигнала, когда ячейки для образцов нагреваются до 120 °C. Следует извлечь и несколько раз осторожно перевернуть ячейки для образцов, прежде чем температура в отсеке понизится.</p>
ООУ	<p>Повышает температуру ячеек для образцов до 105 °C за 120 минут. Температурная программа ООУ может использоваться для всех проверок ООУ Nach с ячейками для образцов.</p>

**Таблица 4 Сохраненные программы — DRB 200 (продолжение)**

Программа	Описание
100 °C	Повышает температуру ячеек для образцов до 100 °C за 30, 60 или 120 минут. Например, температурная программа "100 °C, 60 минут", используется для: <ul style="list-style-type: none"> <li>• Выдержки образцов с использованием набора Metals Prep Set (Набор подготовки металлов)</li> <li>• Идентификации фосфата и хрома</li> <li>• Выдержки тяжелых металлов</li> </ul>
105 °C	Повышает температуру ячеек для образцов до 105 °C за 30, 60 или 120 минут.
150 °C	Повышает температуру ячеек для образцов до 150 °C за 30, 60 или 120 минут.
165 °C	Повышает температуру ячеек для образцов до 165 °C за 30, 60 или 120 минут.

## Методы пользователя

LT 200 имеет шесть температурных программ, настраиваемых пользователем (PRG1–PRG6). DRB 200 имеет три температурные программы, настраиваемые пользователем (PRG1–PRG3).

Настройка пользовательской температурной программы:

1. Клавишами выберите пользовательскую температурную программу.
2. Нажмите **Prog** (Программирование), чтобы выбрать режим программирования.
3. Введите 4-символьное название для программы. Нажмите левую клавишу, чтобы сменить символ. Нажмите клавишу "стрелка вправо" для перевода курсора на следующую позицию. Нажмите **OK** для сохранения изменений.
4. Чтобы задать температуру (от 37 до 150 °C), нажмите или удерживайте нажатыми клавиши "стрелка вверх" и "стрелка вниз". Нажмите **OK** для сохранения изменений.

5. Чтобы задать время (от 0 до 480 минут), нажмите или удерживайте нажатыми клавиши "стрелка вверх" и "стрелка вниз". Нажмите **OK** для сохранения изменений.
6. Нажмите **OK** для сохранения программы.

## Обслуживание

### ▲ ОСТОРОЖНО



Различные опасности. Работы, описываемые в данном разделе, должны выполняться только квалифицированным персоналом.

### УВЕДОМЛЕНИЕ

Не разбирайте прибор для обслуживания. При необходимости очистки или ремонта внутренних компонентов обратитесь к производителю.

## Очистка прибора

Для обеспечения продолжительной и точной работы прибора держите его в чистоте.

### ▲ ОСТОРОЖНО



Опасность возникновения пожара. Для очистки прибора не используйте огнеопасные вещества.

### ▲ ОСТОРОЖНО



Опасность ожога. Не очищайте прибор, если он нагрелся.

### УВЕДОМЛЕНИЕ

Во избежание повреждения прибора не допускается использование таких чистящих средств, как скипидар, ацетон и им подобных для очистки прибора, в том числе дисплея и принадлежностей.

1. Выключите прибор и отсоедините кабель питания.
2. Когда прибор охлажден, его внешние поверхности можно очищать влажной тканью, смоченной слабым мыльным раствором. Проследите, чтобы внутрь аппарата не попала вода.

Если жидкость пролилась из ячейки для образцов или, если ячейка для образцов разбилась:

1. Выключите прибор и отсоедините кабель питания.
2. Дождитесь, пока температура нагревательного блока (блоков) и чеек для образцов, не опустится до температуры окружающего воздуха.
3. Удалите жидкость пипеткой. Не допускайте контакта жидкости с кожей.
4. Утилизируйте жидкость согласно правилам.
5. Удалите стекло пинцетом. Удалите любую оставшуюся жидкость на приборе. Не допускайте контакта жидкости с кожей.

## Измерьте температуру нагревательного блока

Измерьте температуру нагревательного блока, чтобы убедиться, что температура, показанная на дисплее, верна.

Температура, отображаемая на дисплее, это температура в закрытой ячейке для образцов, заполненной жидкостью. При повышении температуры нагревательного блока, температура вблизи нагревателя может быть выше температуры, отображаемой на дисплее.

Необходимые инструменты:

- Ячейка для образцов (LT 200: LCW906, DRB 200: 2275800)
- Глицерин (безводный), 5 мл
- Термометр, палочный, калиброванный по 95-155 °C (203-311 °F), тип 67C для ASTM

Измерение температуры нагревательного блока:

1. Наполните пустую ячейку для образцов глицерином комнатной температуры.

2. Установите термометр в ячейку для образцов таким образом, чтобы термометр касался дна ячейки для образцов.
3. LT 200: Убедитесь, что уровень глицерина составляет 62 мм ± 0,5 мм (2,44 дюйма ± 0,02 дюйма) от дна ячейки для образцов, когда термометр находится в ячейке для образцов.
4. DRB 200: Убедитесь, что уровень глицерина составляет 56 мм ± 0,5 мм (2,20 дюйма ± 0,02 дюйма) от дна ячейки для образцов, когда термометр находится в ячейке для образцов.
5. Поставьте ячейку для образцов в центральное отверстие второго ряда нагревательного блока.
6. Запустите температурную программу 100 °C на 60 минут, нажимая клавиши, затем нажмите **OK**.
7. Когда нагревательный блок будет нагрет до указанной температуры (послышится два сигнала), температура термометра должна быть такой же, как отображаемая на дисплее температура.

## Поиск и устранение проблем

Сообщения об ошибках, вероятные причины и меры по устранению см. в [Таблица 5](#).

**Таблица 5 Сообщения об ошибках**

Ошибка	Способ устранения
BLOCK IS TOO HOT! (БЛОК СЛИШКОМ ГОРЯЧИЙ!) PLEASE WAIT (ПОЖАЛУЙСТА, ПОДОЖДИТЕ)	Температура нагревательного блока выше, чем выбранная температура. Дождитесь снижения температуры нагревательного блока.
INIT ERROR (ОШИБКА НАЧ.ЗАГР.)	Прибор неисправен. Обратитесь в отдел обслуживания клиентов.

## Запасные части и аксессуары

### ▲ ПРЕДУПРЕЖДЕНИЕ



Риск получения травмы. Использование несогласованных деталей может стать причиной травм, повреждения прибора или нарушения в работе оборудования. Запасные детали, описанные в данном разделе, одобрены производителем.

*Примечание: Номера изделия и товара могут меняться для некоторых регионов продаж. Свяжитесь с соответствующим дистрибьютором или см. контактную информацию на веб-сайте компании.*

### Запасные части

Описание	Количество	Изд. №
Защитная крышка	1	LZT048

### Принадлежности — DRB 200

Описание	Количество	Изд. №
Понижающий адаптер, 20 > 16 мм	1	ННА155
Понижающий адаптер, 16 > 13 мм	1	2895805
Шланг, 16 x 100 мм	1	2275800
Шланг, 16 x 100 мм	6	2275806
Термометр, 0-200 °С	1	4565500



## İçindekiler

Teknik özellikler sayfa 177

Çalıştırma sayfa 182

Genel Bilgiler sayfa 177

Bakım sayfa 185

Kurulum sayfa 179

Sorun giderme sayfa 186

Kullanıcı arayüzü ve gezinme sayfa 181

Yedek parçalar ve aksesuarlar sayfa 186

Başlatma sayfa 182

## Teknik özellikler

Teknik özellikler önceden bildirilmeksizin değiştirilebilir.

Teknik Özellik	Ayrıntılar
Boyutlar	25 x 14,5 x 31 cm (9,8 x 5,7 x 12,2 inç)
Ağırlık	Tekli ısıtma bloğu: 2 kg (4,4 lb) İkili ısıtma bloğu: 2,8 kg (6,17 lb)
Güç gereksinimleri	100–240 V, +%5/–%15, 50/60 Hz, Koruma Sınıfı I
Güç girişi	Tekli ısıtma bloğu: 115 V: 300 VA; 230 V: 450 VA İkili ısıtma bloğu: 115 V: 600 VA; 230 V: 900 VA
Depolama sıcaklığı	–40 - +60 °C (–40 - +140 °F)
Çalışma sıcaklığı	10 - 45 °C (50 - 113 °F)
Çalışma nemi	%90 (yoğuşturucu)
Sıcaklık aralığı	LT 200: 37 ila 150°C (98,6 ila 302°F) DRB 200: 37 ila 165°C (98,6 ila 329°F) Zamanlayıcı: 0 - 480 dakika
Sıcaklık kararlılığı	LT 200: ± 1°C (± 2°F) DRB 200: ± 2°C (± 3,5°F)

Teknik Özellik	Ayrıntılar
Isıtma hızı	LT 200: 10 dakikada 20°C'den 148°C'ye (68°F'den 298°F'ye) (DIN 38409-44'e) DRB 200: 10 dakikada 20°C'den 150°C'ye (68°F'den 302°F'ye)
Sertifikasyon	CE ve cTUVus

## Genel Bilgiler

Hiçbir durumda üretici, bu kılavuzdaki herhangi bir hata ya da eksiklikten kaynaklanan doğrudan, dolaylı, özel, tesadüfi ya da sonuçta meydana gelen hasarlardan sorumlu olmayacaktır. Üretici, bu kılavuzda ve açıkladığı ürünlerde, önceden haber vermeden ya da herhangi bir zorunluluğa sahip olmadan değişikliklik yapma hakkını saklı tutmaktadır. Güncellenmiş baskılara, üreticinin web sitesinden ulaşılabilir.

## Güvenlik bilgileri

### BILGI

Üretici, doğrudan, arızı ve sonuç olarak ortaya çıkan zararlar dahil olacak ancak bunlarla sınırlı olmayacak şekilde bu ürünün hatalı uygulanması veya kullanılmasından kaynaklanan hiçbir zarardan sorumlu değildir ve yürürlükteki yasalardan izin verdiği ölçüde bu tür zararları reddeder. Kritik uygulama risklerini tanımlamak ve olası bir cihaz arızasında prosesleri koruyabilmek için uygun mekanizmaların bulunmasını sağlamak yalnızca kullanıcının sorumluluğundadır.

Bu cihazı paketinden çıkarmadan, kurmadan veya çalıştırmadan önce lütfen bu kılavuzun tümünü okuyun. Tehlikeler ve uyarılarla ilgili tüm ifadeleri dikkate alın. Aksi halde, kullanıcının ciddi şekilde yaralanması ya da ekipmanın hasar görmesi söz konusu olabilir.

Bu cihazın korumasının bozulmadığından emin olun. Cihazı bu kılavuzda belirtilenden başka bir şekilde kullanmayın veya kurmayın.

## Tehlikeyle ilgili bilgilerin kullanılması

### ▲ TEHLİKE

Olması muhtemel veya yakın zamanda olmasından korkulan, engellenmediği takdirde ölüm veya ciddi yaralanmaya neden olacak tehlikeli bir durumu belirtir.

## ⚠ UYARI

Önlenmemesi durumunda ciddi yaralanmalar veya ölümlle sonuçlanabilecek potansiyel veya yakın bir zamanda meydana gelmesi beklenen tehlikeli durumların mevcut olduğunu gösterir.

## ⚠ DİKKAT





Daha küçük veya orta derecede yaralanmalarla sonuçlanabilecek potansiyel bir tehlikeli durumu gösterir.

## BİLGİ

Engellenmediği takdirde cihazda hasara neden olabilecek bir durumu belirtir. Özel olarak vurgulanması gereken bilgiler.

### Önlem etiketleri

Cihazın üzerindeki tüm etiketleri okuyun. Talimatlara uyulmadığı takdirde yaralanma ya da cihazda hasar meydana gelebilir. Cihazın üzerinde bulunan semboller, kılavuzda tehlike veya dikkat ifadesiyle yer alır.

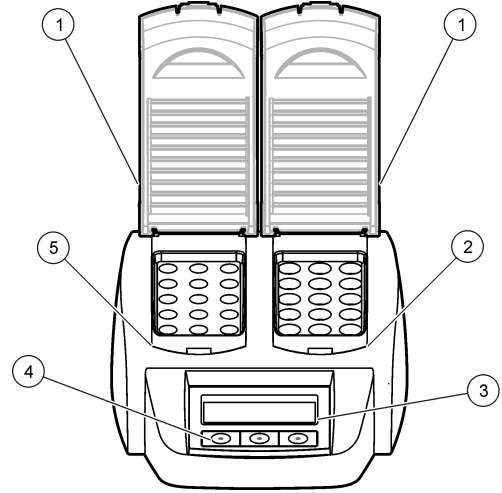
	Bu sembol cihazın üzerinde mevcutsa çalıştırma ve/veya güvenlik bilgileri için kullanım kılavuzuna referansta bulunur.
	Bu simgeyi taşıyan elektrikli cihazlar, Avrupa evsel ya da kamu atık toplama sistemlerine atılamaz. Eski veya kullanım ömrünü doldurmuş cihazları, kullanıcı tarafından ücret ödenmesine gerek olmadan atılması için üreticiye iade edin.
	Bu sembol işaretli parçanın sıcak olabileceğini ve parçaya dokunurken dikkatli olunması gerektiğini işaret eder.
	Bu sembol işaretli parçanın koruyucu topraklama bağlantısı gerektirdiğini gösterir. Cihaz beraberinde topraklama fiş kablosuyla birlikte gelmediyse koruyucu toprak bağlantısını koruma iletkenli bağlantı ucuna takın.

## Ürüne genel bakış

Bu cihazın, bir veya iki ısıtma bloğu bulunur ve bu bloklar belirli bir zaman aralığında yuvarlak numune hücrelerindeki çözelti sıcaklığının belirli bir sıcaklığa çıkmasını sağlar(Şekil 1).

LT 200 cihazında kayıtlı üç adet sıcaklık programı vardır ve altı adet sıcaklık programı kullanıcı tarafından yapılandırılarak kaydedilebilir. DRB 200 cihazında kayıtlı altı adet sıcaklık programı vardır ve üç adet sıcaklık programı kullanıcı tarafından yapılandırılıp kaydedilebilir.

### Şekil 1 Önden görünüm




1 Koruyucu kapak	3 Ekran	5 Sol ısıtma bloğu
2 Sağ ısıtma bloğu	4 Tuşlar	

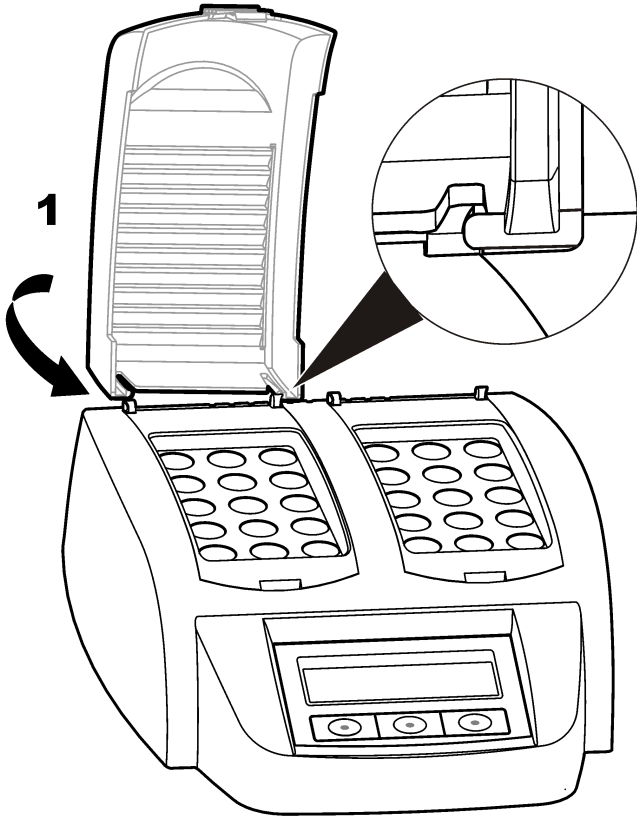
## Kurulum

Aşağıda gösterilen resimli adımları uygulayın.

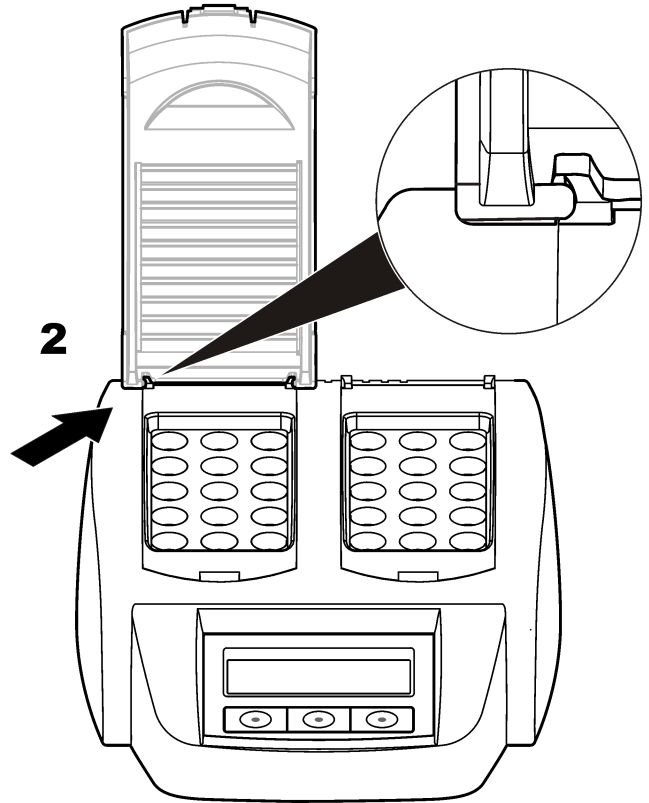
### Koruyucu kapakların takılması

<b>⚠ UYARI</b>	
	Elektrik Çarpması ve Yanma Tehlikesi. Yaralanmaları önlemek için koruyucu kapağın takılı olması gerekir. Koruyucu kapak yanma tehlikesini ve güç kablosunun ısıtma bloğuyla temas etmesini önler.

1



2

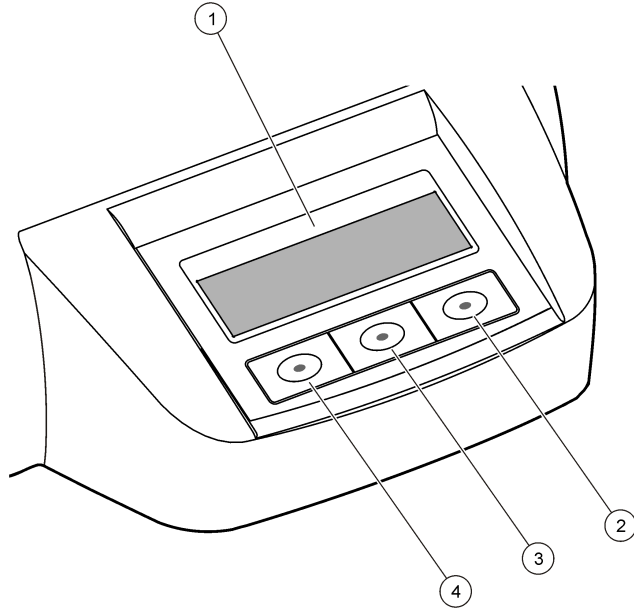


## Kullanıcı arayüzü ve gezinme

### Kullanıcı arayüzü

Cihaz, ekranın altında bulunan üç tuş kullanılarak çalıştırılır (Şekil 2). Her tuşun işlevi ekranda gösterilir. Bir tuş için herhangi bir işlev gösterilmiyorsa bu tuş o esnada aktif değildir.

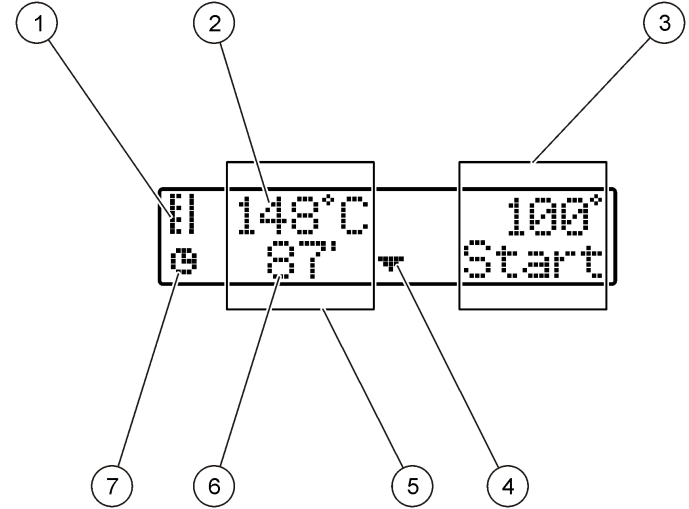
Şekil 2 Tuş takımının açıklaması



1 Ekran	3 Orta tuş
2 Sağ tuş	4 Sol tuş


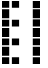

## Ekran açıklaması

Şekil 3 Bir program sadece sol ısıtma bloğunda etkin olduğu zaman oluşan ekran görüntüsü



1 Termometre sembolü	5 Sol ısıtma bloğu
2 Isıtma bloğu sıcaklığı	6 Kalan süre
3 Sağ ısıtma bloğu	7 Zamanlayıcı sembolü
4 Aşağı ok tuşu (program seçmek için)	

**Tablo 1 Termometre sembolleri**

Sembol	Açıklama
	Isıtma bloğunun sıcaklığı artıyor.
	Isıtma bloğu seçili sıcaklıkta.
	Isıtma bloğunun sıcaklığı azalıyor.

## Başlatma

### Cihazın açılması

#### BİLGİ

Cihaza zarar verebileceği için cihazı kapattıktan sonra hemen açmayın. Cihazı tekrar açmadan önce her zaman yaklaşık 20 saniye bekleyin.

1. Cihazı dengeli, düz ve ısıya dayanıklı bir yüzeye yerleştirin.
2. Güç kablosunu cihazın arkasındaki güç girişine bağlayın.
3. Güç kablosunu topraklaması olan güç prizine takın.
4. Cihazı açmak için cihazın arkasındaki güç düğmesine basın. Cihaz ilk açıldığında, dil seçim ekranı görünür. Bkz. [Dil seçimi](#) sayfa 182.

### Dil seçimi

1. Sol tuşu basılı tutun ve cihazı açın.
2. Menüde gezinmek için sağ ok tuşuna basın. Ekran, menünün sonunda menü başlangıcına geri döner.
3. Doğru dil gösterildiğinde seçmek için tuşa basın. Bkz. [Tablo 2](#).

**Tablo 2 Dil ayarları**

Ayar	Dil	Ayar	Dil
GB	İngilizce	E	İspanyolca
D	Almanca	NL	Flemenkçe
F	Fransızca	S	İsveççe
I	İtalyanca	PL	Lehçe

### Ekran kontrast ayarı

1. Orta tuşu basılı tutun ve cihazı açın.
2. Kontrast değerini değiştirmek için yukarı ve aşağı ok tuşlarına basın veya basılı tutun.
3. Değişiklikleri kaydetmek için **OK** (Tamam) tuşuna basın.

### Çalıştırma

#### ⚠ TEHLİKE



Kimyasal maddelere maruz kalma tehlikesi. Laboratuvar güvenlik talimatlarına uyun ve kullanılan kimyasallara uygun kişisel koruma ekipmanının tamamını kullanın. Güvenlik protokolleri için mevcut güvenlik bilgi formlarına (MSDS/SDS) bakın.

### Rutin çalıştırma

#### ⚠ DİKKAT



Yanma Tehlikesi. Parmağınızı ısıtma bloğu yuvalarına koymayın. Isıtma bloğu sıcaklığı artmadan önce koruyucu kapağı kapatın ve koruyucu kapağı cihaz çalışırken daima kapalı tutun.

## ⚠ DİKKAT



Yanma Tehlikesi. Numune hücreleri sıcak. Isı yalıtımlı materyaller giyin (örn. eldiven veya parmak koruyucu). 80 °C'den sıcak olan bir numune hücrelerini çıkarmayın. 80°C'den sıcak olan numune hücrelerini klorimetreye koymayın.

## ⚠ DİKKAT



Kimyasal Tehlike. Numune hücreleri kırılırsa, sıvıyı deriyle temas ettirmeyin. Kimyasal buharı yok etmek için bir davlumbaz kullanın.

## ⚠ DİKKAT



Kimyasal maddelere maruz kalma tehlikesi. Kimyasal maddeleri ve atıkları, yerel, bölgesel ve ulusal yönetmeliklere uygun şekilde atın.

## BİLGİ

Numune hücrelerinin ve cihazın zarar görmemesi için ısıtma bloğu yuvalarını kuru tutun. Numune hücrelerinin dışını iyice kurulayın.

## BİLGİ

yuvasına sıvı dökülürse veya numune hücreleri kırılırsa cihazın zarar görmemesi için gücü hemen kesin ve cihazı temizleyin. Bkz. [Cihazı temizleme](#) sayfa 185.

## BİLGİ

Koruyucu kapaktaki havalandırma aralıklarını kapatmayın. Cihaz ve numune hücreleri çok sıcak olursa ölçümün doğruluk oranı düşebilir.

1. Test numune hücrelerini analiz prosedüründe belirtilen şekilde hazırlayın.
2. Numune hücrelerinin kapağını kapatın.
3. Numune hücrelerinin dışını iyice kurulayın.
4. Cihazı açın ve koruyucu kapağı kaldırın. Seçili olan son sıcaklık program(lar)ı ekranda gösterilir.
5. 20 mm açıklığı olan bir ısıtma bloğuyla 16 mm'lik borular kullanıyorsanız, açıklığa redüksiyon adaptörlerini koyun.

6. LT 200: Test numune hücrelerini doğru ısıtma bloğuna koyun ve koruyucu kapağı kapatın.
7. Tuşları kullanarak doğru sıcaklık programını (ve uygulanabiliyorsa parçalama dönemini) seçin ve **Start** (Başlat) tuşuna basın. Bkz. [Kayıtlı programlar](#) sayfa 183. İki ısıtma bloğu bulunuyorsa her ikisi için ayrı ayrı sıcaklık programı seçilir.

**Not:** Bir programı durdurmak için programın altındaki tuşa iki kez basın.

LT 200: Parçalama programı başlar. Isıtma bloğunun sıcaklığı seçili sıcaklığa yükseldiğinde, süre otomatik olarak sıfıra (0) doğru azalır. Parçalama programı tamamlandığında üç sesli uyarı duyulur ve ısıtıcı kapanır.

DRB 200: Isıtma bloğunun sıcaklığı, seçili sıcaklığa yükselir.

8. DRB 200: Isıtma bloğu, seçili sıcaklıkta olduğunda (iki sesli uyarı duyulur) test numune hücrelerini doğru ısıtma bloğuna koyun ve koruyucu kapağı kapatın. Parçalama programını başlatmak için **Start** (Başlat) tuşuna basın.

Parçalama programı tamamlandığında üç sesli uyarı duyulur ve ısıtıcı kapanır.

## Kayıtlı programlar

[Tablo 3](#), LT 200 için kayıtlı sıcaklık programlarının açıklamalarını sağlar.

[Tablo 4](#), DRB 200 için kayıtlı sıcaklık programlarının açıklamalarını sağlar.

**Tablo 3 Kayıtlı programlar—LT 200**

Program	Açıklama
COD	Numune hücrelerinin sıcaklığını 120 dakika için 148 °C değerine çıkarır. Soğutma aşamasında, numune hücreleri 80 °C değerindeyken dört bip sesi duyulur. Numune hücrelerinin sıcaklığını bir ızgarada azaltmadan önce onları çıkarıp dikkatlice ters çevirin. COD sıcaklık programı tüm COD numune hücre testleri için kullanılabilir.
100°C	Numune hücrelerinin sıcaklığını 10, 60 veya 120 dakika için 100 °C değerine çıkarır. Örneğin, "100 °C, 60 dakika" sıcaklık programı şunlar için kullanılır: <ul style="list-style-type: none"> <li>Fosfat ve kromu tanımlama</li> <li>Ağır metalleri parçalama</li> <li>LCW 902 Çatlatma Seti kullanarak numuneleri parçalama</li> </ul>
40 °C	Numune hücrelerinin sıcaklığını 10 dakika için 40 °C değerine çıkarır. Örneğin, "40 °C, 10 dakika" sıcaklık programı formaldehit test veya enzimatik besin testleri için kullanılır.

**Tablo 4 Kayıtlı programlar—DRB 200**

Program	Açıklama
KOI	Numune hücrelerinin sıcaklığını 120 dakika boyunca 150°C değerine çıkarır. Soğutma aşamasında, numune hücreleri 120°C değerindeyken dört sesli uyarı duyulur. Numune hücrelerinin sıcaklığını rafta azaltmadan önce hücreleri çıkarıp dikkatlice ters çevirin.
TOK	Numune hücrelerinin sıcaklığını 120 dakika boyunca 105°C değerine çıkarır. TOK sıcaklık programı, tüm Hach TOC numune hücre testleri için kullanılabilir.

**Tablo 4 Kayıtlı programlar—DRB 200 (devamı)**

Program	Açıklama
100°C	Numune hücrelerinin sıcaklığını 30, 60 veya 120 dakika boyunca 100°C değerine çıkarır. Örneğin, "100°C, 60 dakika" sıcaklık programı şunlar için kullanılır: <ul style="list-style-type: none"> <li>Metalleri Hazırlama Seti'ni kullanarak numuneleri parçalama</li> <li>Fosfat ve kromu tanımlama</li> <li>Ağır metalleri parçalama</li> </ul>
105°C	Numune hücrelerinin sıcaklığını 30, 60 veya 120 dakika boyunca 105°C değerine çıkarır.
150°C	Numune hücrelerinin sıcaklığını 30, 60 veya 120 dakika boyunca 150°C değerine çıkarır.
165°C	Numune hücrelerinin sıcaklığını 30, 60 veya 120 dakika boyunca 165°C değerine çıkarır.

### Kullanıcı programları

LT 200 cihazının kullanıcı tarafından yapılandırılabilen altı sıcaklık programı bulunur (PRG1–PRG6). DRB 200 cihazının kullanıcı tarafından yapılandırılabilen üç sıcaklık programı bulunur (PRG1–PRG3).

Bir kullanıcı sıcaklık programını ayarlamak için:

1. Tuşları kullanarak bir kullanıcı sıcaklık programı seçin.
2. Programlama moduna girmek için **Prog** (Programlama) tuşuna basın.
3. Program için 4 karakterli bir ad seçin. Karakteri değiştirmek için sol tuşa basın. İmleri bir sonraki konuma taşımak için sağ ok tuşuna basın. Değişiklikleri kaydetmek için **OK** (Tamam) tuşuna basın.
4. Sıcaklığı ayarlamak için yukarı ve aşağı ok tuşlarına basın veya basılı tutun (37 - 150 °C). Değişiklikleri kaydetmek için **OK** (Tamam) tuşuna basın.
5. Süreyi ayarlamak için yukarı ve aşağı ok tuşlarına basın veya basılı tutun (0 - 480 dakika). Değişiklikleri kaydetmek için **OK** (Tamam) tuşuna basın.
6. Programı kaydetmek için **OK** (Tamam) tuşuna basın.



## Bakım

### ⚠ DİKKAT



Birden fazla tehlike. Belgenin bu bölümünde açıklanan görevleri yalnızca yetkili personel gerçekleştirmelidir.

### BİLGİ

Cihazı bakım için demonte etmeyin. Dahili bileşenlerin temizlenmesi ya da onarılması gerektiğinde üreticimize başvurun.

## Cihazı temizleme

Cihazın sürekli ve doğru çalışması için cihazı temiz tutun.

### ⚠ DİKKAT



Yangın tehlikesi. Cihazı temizlemek için yanıcı maddeler kullanmayın.

### ⚠ DİKKAT



Yanma tehlikesi. Sıcakken cihazı temizlemeyin.

### BİLGİ

Cihazın zarar görmemesi için ekran da dahil olmak üzere cihazı temizlerken terebentin, aseton gibi temizlik maddeleri veya benzer ürünler kullanmayın.

1. Cihazı kapatın ve güç kablosunu çıkarın.
2. Cihaz soğukken yumuşak, nemli bir bezle ve zayıf sabun çözeltilisiyle cihazın yüzeyini temizleyin. Cihazın içine su kaçmadığından emin olun.

Numune hücreindeki sıvı dökülürse veya numune hücreyi kırılırsa:

1. Cihazı kapatın ve güç kablosunu çıkarın.
2. Isıtma bloğunun/bloklarının ve numune hücrelerinin soğumasını bekleyin.

3. Bir pipetle sıvıyı boşaltın. Sıvıyı deriyle temas ettirmeyin.
4. Sıvıyı doğru bir şekilde bertaraf edin.
5. Cımbız kullanarak kırılmış camları toplayın. Cihazın üzerinde kalan sıvıyı yok edin. Sıvıyı deriyle temas ettirmeyin.

## Isıtma bloğu sıcaklığının ölçülmesi

Ekranda gösterilen sıcaklığın doğru olduğundan emin olmak için ısıtma bloğunun sıcaklığını ölçün.

Ekrandaki sıcaklık, sıvıyla dolu kapalı numune hücresinin içindeki sıcaklıktır. Isıtma bloğunun sıcaklığı artarken ısıtıcının yanındaki ısıtma bloğunun sıcaklığı, ekranda gösterilen sıcaklıktan daha fazla olabilir.

Gerekten araçlar

- Numune hücresi (LT 200: LCW906, DRB 200: 2275800)
- Gliserin (susuz), 5 mL
- Termometre, bağıt tip, 95 - 155 °C (203 - 311 °F) için kalibre edilmiş, tür 67C - ASTM

Isıtma bloğunun sıcaklığını ölçmek için:

1. Temiz ve boş numune hücresinin, oda sıcaklığındaki gliserin ile doldurun.
2. Termometreyi numune hücresinin tabanına değecek şekilde numune hücresinin üzerine koyun.
3. LT 200: Termometre numune hücresindeyken gliserol seviyesinin numune hücresinin tabanından itibaren 62 mm ± 0,5 mm (2,44 inç ± 0,02 inç) olduğundan emin olun.
4. DRB 200: Termometre numune hücresindeyken gliserin seviyesinin numune hücresinin tabanından itibaren 56 mm ± 0,5 mm (2,20 inç ± 0,02 inç) olduğundan emin olun.
5. Numune hücresinin, ısıtma bloğunun ikinci sırasının orta yuvasına koyun.
6. Tuşları kullanarak 60 dakika için 100 °C sıcaklık programını seçip **OK** (Tamam) tuşuna basın.
7. Isıtma bloğu seçili sıcaklıktayken (iki bip sesi duyulur), termometre sıcaklığıyla ekranda gösterilen sıcaklığın aynı olması gerekir.

## Sorun giderme

Hata mesajları ve muhtemel nedenleri hakkında bilgi almak ve düzeltmek için bkz. [Tablo 5](#).

**Tablo 5 Hata mesajları**

Hata	Çözüm
BLOCK IS TOO HOT! (BLOK AŞIRI SICAK!) PLEASE WAIT (LÜTFEN BEKLEYİN)	Isıtma bloğunun sıcaklığı seçili sıcaklıktan daha fazladır. Isıtma bloğunun sıcaklığı düşene kadar bekleyin.
INIT ERROR (KULLANIMA HAZIRLAMA HATASI)	Cihaz arızalıdır. Müşteri Hizmetleriyle iletişime geçin.

## Yedek parçalar ve aksesuarlar

### ⚠ UYARI



Fiziksel yaralanma tehlikesi. Onaylanmayan parçaların kullanımı kişisel yaralanmalara, cihazın zarar görmesine ya da donanım arızalarına neden olabilir. Bu bölümdeki yedek parçalar üretici tarafından onaylanmıştır.

**Not:** Bazı satış bölgelerinde Ürün ve Madde numaraları değişebilir. İrtibat bilgileri için uygun distribütörle bağlantı kurun veya şirketin web sitesine başvurun.

### Yedek parçalar

Açıklama	Miktar	Kat. no.
Koruyucu kapak	1	LZT048

### Aksesuarlar—DRB 200

Açıklama	Miktar	Öge no.
Redüksiyon adaptörü, 20 > 16 mm	1	HHA155
Redüksiyon adaptörü, 16 > 13 mm	1	2895805
Boru, 16 x 100 mm	1	2275800

### Aksesuarlar—DRB 200 (devamı)

Açıklama	Miktar	Öge no.
Boru, 16 x 100 mm	6	2275806
Termometre, 0 - 200 °C	1	4565500

## Obsah

Technické údaje na strane 187

Prevádzka na strane 192

Všeobecné informácie na strane 187

Údržba na strane 195

Montáž na strane 189

Riešenie problémov na strane 196

Užívateľské rozhranie a navigácia  
na strane 191

Náhradné diely a príslušenstvo  
na strane 196

Spustenie do prevádzky na strane 192

## Technické údaje

Špecifikácie podliehajú zmenám bez predchádzajúceho upozornenia.

Technický údaj	Podrobnosti
Rozmery	25 x 14,5 x 31 cm (9,8 x 5,7 x 12,2 palca)
Hmotnosť	Samostatný ohrievací blok: 2 kg (4,4 libry) Dvojitý ohrievací blok: 2,8 kg (6,17 libry)
Požiadavky na napájanie	100 – 240 V, +5 %/–15 %, 50/60 Hz, Trieda ochrany I
Vstup pri napájaní	Samostatný ohrievací blok: 115 V: 300 VA; 230 V: 450 VA Dvojitý ohrievací blok: 115 V: 600 VA; 230 V: 900 VA
Teplota skladovania	–40 až +60 °C (–40 až +140 °F)
Prevádzková teplota	10 až 45 °C (50 až 113 °F)
Prevádzková vlhkosť	90 % (bez kondenzácie)
Rozsah teplôt	LT 200: 37 až 150 °C (98,6 až 302 °F) DRB 200: 37 až 165 °C (98,6 až 329 °F)
	Časomer: 0 až 480 minút
Stabilita teploty	LT 200: ±1 °C (±2 °F) DRB 200: ±2 °C (±3,5 °F)

Technický údaj	Podrobnosti
Rozsah ohrevu	LT 200: Od 20 do 148 °C (68 až 298 °F) za 10 min (podľa DIN 38409-44) DRB 200: Od 20 do 150 °C (68 až 30 °F) za 10 minút
Certifikáty	CE a cTUVus

## Všeobecné informácie

Výrobca v žiadnom prípade nenesie zodpovednosť za priame, nepriame, mimoriadne, náhodné alebo následné škody spôsobené chybou alebo opomenutím v tomto návode na použitie. Výrobca si vyhradzuje právo na vykonávanie zmien v tejto príručke alebo na predmetnom zariadení kedykoľvek, bez oznámenia alebo záväzku. Revidované vydania sú k dispozícii na webových stránkach výrobcu.

## Bezpečnostné informácie

### POZNAMKA

Výrobca nie je zodpovedný za škody spôsobené nesprávnym alebo chybným používaním tohto zariadenia vrátane, okrem iného, priame, náhodné a následné škody, a odmieta zodpovednosť za takéto škody v plnom rozsahu povolenom príslušným zákonom. Používateľ je výhradne zodpovedný za určenie kritického rizika pri používaní a zavedenie náležitých opatrení na ochranu procesov počas prípadnej poruchy prístroja.

Pred vybalením, nastavením alebo prevádzkou tohto zariadenia si prečítajte prosím celý návod. Venujte pozornosť všetkým výstrahám a upozorneniam na nebezpečenstvo. Zanedbanie môže mať za následok vznik vážnych zranení alebo poškodenie zariadenia.

Ak si chcete byť istí, že ochrana tohto zariadenia nebude porušená, nepoužívajte ani nemontujte toto zariadenie iným spôsobom, ako je uvedený v tomto návode.

## Informácie o možnom nebezpečenstve

### ⚠ NEBEZPEČIE

Označuje potenciálne alebo bezprostredne nebezpečnú situáciu, ktorá, ak sa jej nezabráni, spôsobí smrť alebo vážne zranenie.

## VAROVANIE

Označuje potenciálne alebo bezprostredne nebezpečnú situáciu, ktorá, ak sa jej nezabráni, by mohla spôsobiť smrť alebo vážne zranenie.

## UPOZORNENIE





Označuje potenciálne ohrozenie s možným ľahkým alebo stredne ťažkým poranením.

## POZNAMKA

Označuje situáciu, ktorá, ak sa jej nezabráni, môže spôsobiť poškodenie prístroja. Informácie, ktoré vyžadujú zvýšenú pozornosť.

### Výstražné štítky

Preštudujte si všetky štítky a značky, ktoré sa na prístroji nachádzajú. Pri nedodržaní pokynov na nich hrozí poranenie osôb alebo poškodenie prístroja. Ak sa symbol nachádza na prístroji, v tomto návode je vysvetlený spolu s upozornením na nebezpečenstvo.

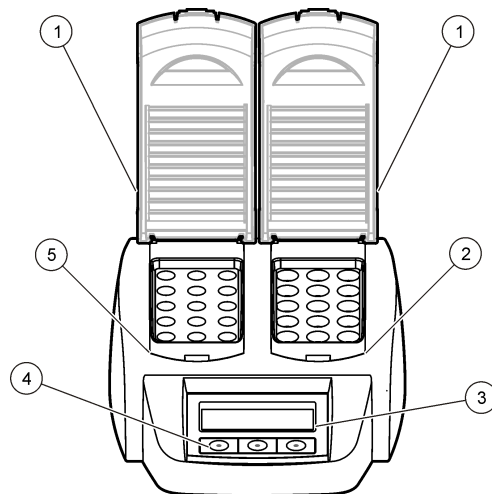
	Tento symbol na prístroji upozorňuje na prevádzkovú alebo bezpečnostnú informáciu v príručke s pokynmi.
	Elektrické zariadenie označené týmto symbolom sa v rámci Európy nesmie likvidovať v systémoch likvidácie domového alebo verejného odpadu. Staré zariadenie alebo zariadenie na konci životnosti vráťte výrobcovi na bezplatnú likvidáciu.
	Tento symbol indikuje, že označená časť môže byť horúca a pri dotyku musíte byť opatrní.
	Tento symbol indikuje, že označená položka si vyžaduje ochranné uzemňovacie zapojenie. Ak sa zariadenie nedodáva s uzemnenou zástrčkou na šnúre, ochranné uzemňovacie zapojenie vytvorte prepojením so svorkovnicami ochranného vodiča.

### Popis výrobku

Tento prístroj je vybavený jedným alebo dvoma ohrievacími blokmi, ktoré zvyšujú teplotu roztokov v okrúhlych vialkách na vzorky na určenú teplotu počas určenej doby (Obrázok 1).

LT 200 má k dispozícii tri teplotné programy uložené v pamäti a šesť teplotných programov, ktoré môže používateľ nakonfigurovať a uložiť. DRB 200 má k dispozícii šesť teplotných programov uložených v pamäti a tri teplotné programy, ktoré môže používateľ nakonfigurovať a uložiť.

Obrázok 1 Pohľad spredu




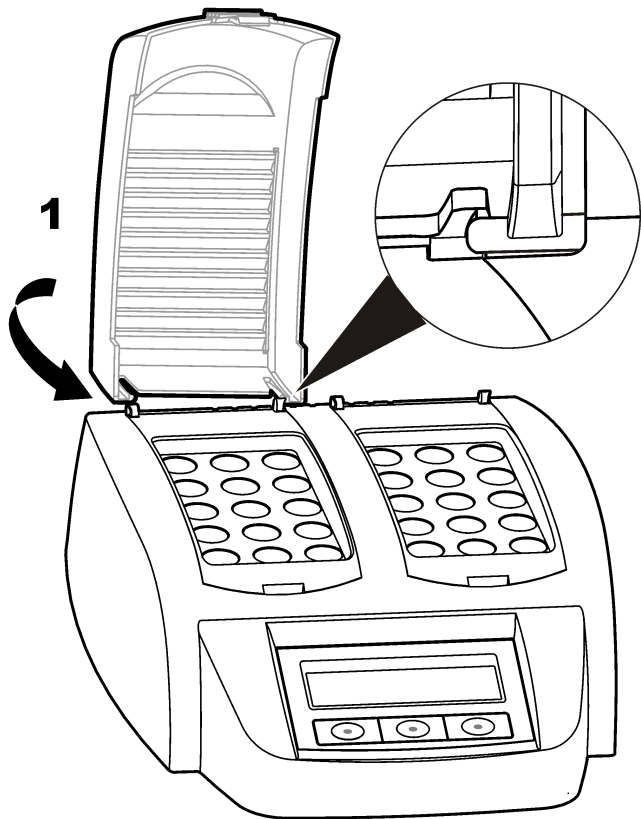
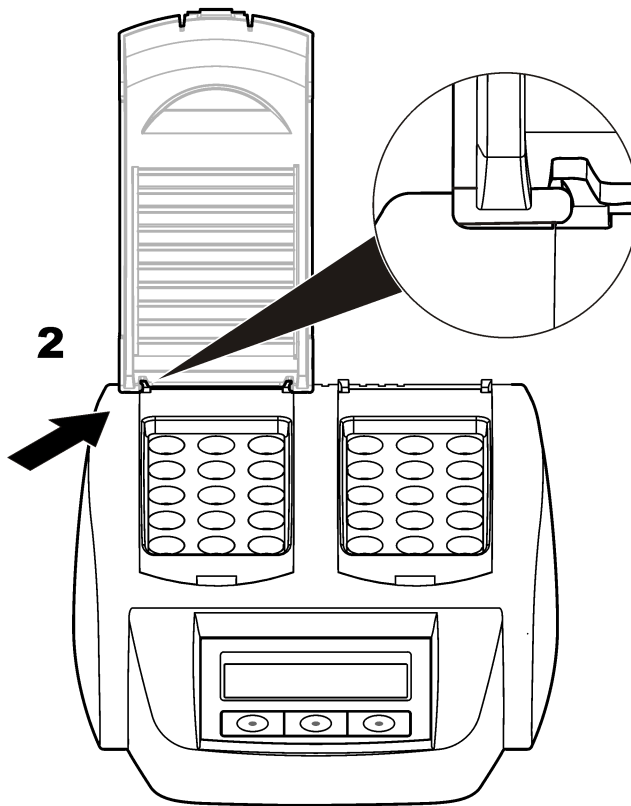
1 Ochranný kryt	3 Displej	5 Ľavý ohrievací blok
2 Právý ohrievací blok	4 Klávesy	

## Montáž

Pozrite si nasledujúci ilustrovaný postup.

### Nainštalujte ochranné kryty

<b>⚠ V A R O V A N I E</b>	
	Nebezpečenstvo úrazu elektrickým prúdom a vzniku popálenín. Ochranný kryt sa musí nainštalovať na ochranu pred osobnými úrazmi. Ochranný kryt bráni popáleninám a kontaktu prívodného elektrického kábla s ohrievacím blokom.

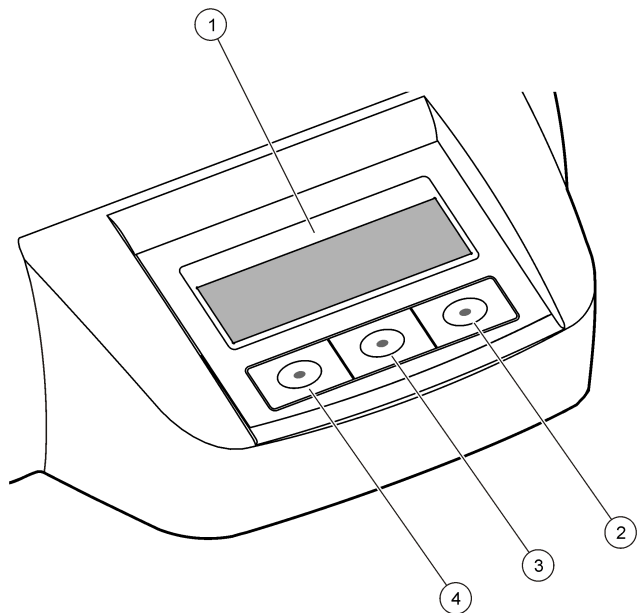
**1****2**

## Užívateľské rozhranie a navigácia

### Používateľské rozhranie

Prístroj sa obsluhuje použitím troch klávesov nachádzajúcich sa pod displejom (Obrázok 2). Funkcia každého klávesu je zobrazená na displeji. Ak pre kláves nie je zobrazená žiadna funkcia, znamená to, že kláves nie je aktívny.

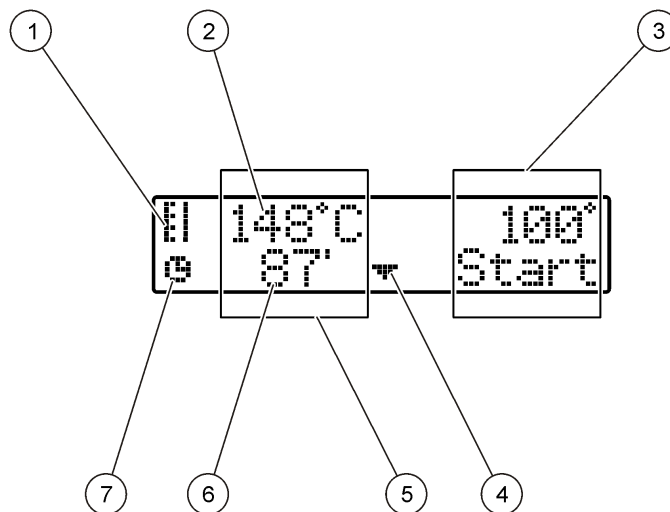
Obrázok 2 Popis klávesnice



1 Displej	3 Stredný kláves
2 Právý kláves	4 Ľavý kláves

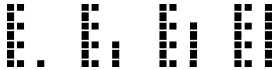
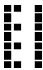

### Popis displeja

Obrázok 3 Displej obrazovky, keď je program aktívny iba na ľavom ohrievacom bloku



1 Symbol teplomera	5 Ľavý ohrievací blok
2 Teplota ohrievacieho bloku	6 Zostávajúca doba
3 Právý ohrievací blok	7 Symbol časomeru
4 Kláves so šípkou smerujúcou dolu (používa sa na voľbu programu)	

**Tabuľka 1 Symboly teplomera**

Symbol	Popis
	Teplota ohrievacieho bloku sa zvyšuje.
	Ohrievací blok je na zvolenej teplote.
	Teplota ohrievacieho bloku klesá.

## Spustenie do prevádzky

### Zapnite prístroj

#### POZNÁMKA

Prístroj nevypínajte a nezapínajte rýchlo po sebe, pretože sa tým môže poškodiť. Pred opätovným zapnutím prístroja počkajte približne 20 sekúnd.

1. Prístroj položte na stabilný, rovný a tepelne odolný povrch.
2. Zapojte prírodný elektrický kábel do zásuvky na zadnej strane prístroja.
3. Zapojte prírodný elektrický kábel do sieťovej zásuvky s uzemnením.
4. Stlačte vypínač na zadnej strane prístroja, čím prístroj zapnete.  
Pri prvom zapnutí prístroja sa zobrazí obrazovka voľby jazyka. Pozrite časť [Voľba jazyka](#) na strane 192.

### Voľba jazyka

1. Podržte stlačený ľavý kláves a zapnite prístroj.
2. Stlačte pravý kláves so šípkou, aby ste sa posúvali po ponuke. Displej sa po ukončení ponuky presunie opäť na začiatok ponuky.

3. Po zobrazení správneho jazyka stlačte na voľbu jazyka. Pozrite časť [Tabuľka 2](#).

**Tabuľka 2 Nastavenia jazykov**

Nastavenie	Jazyk	Nastavenie	Jazyk
GB	Anglický	E	Španielsky
D	Nemecký	NL	Holandský
F	Francúzsky	S	Švédsky
I	Taliansky	PL	Polský

### Nastavenie kontrastu displeja

1. Podržte stlačený stredný kláves a zapnite prístroj.
2. Stlačte alebo podržte stlačené klávesy so šípkou smerujúcou nahor alebo nadol, aby ste zmenili hodnotu kontrastu.
3. Stlačením **OK** sa zmena uloží.

### Prevádzka

#### ⚠ NEBEZPEČIE



Nebezpečenstvo vystavenia chemikáliám. Dodržiavajte laboratórne bezpečnostné postupy a používajte všetky osobné ochranné pomôcky zodpovedajúce chemikáliám, s ktorými pracujete. Bezpečnostné protokoly nájdete v aktuálnych kartách bezpečnostných údajov (KBÚ).

### Bežná obsluha

#### ⚠ UPOZORNENIE



Nebezpečenstvo vzniku popálenín. Nevkladajte prsty do otvoru na ohrievacom bloku. Pred zvýšením teploty ohrievacieho bloku zatvorte ochranný kryt a nechávajte ho zatvorený počas celého postupu.



### ▲ UPOZORNENIE



Nebezpečenstvo vzniku popálenín. Vialky na vzorky sú horúce. Navlečte si tepelne izolačné ochranné prostriedky (napr. rukavice alebo návleky na prsty). Ak je teplota vialky na vzorky vyššia ako 80 °C, nevyberajte ju. Ak je teplota vialky na vzorky vyššia ako 80 °C, nekladajte ju do kolorimetra.

### ▲ UPOZORNENIE



Nebezpečné chemické látky. Ak vialka na vzorky praskne, zabráňte kontaktu kvapaliny s pokožkou. Ak je to nevyhnutné, na odstránenie chemických výparov použite digester.

### ▲ UPOZORNENIE



Nebezpečenstvo vystavenia chemikáliám. Likvidácia chemikálií a odpadu podľa miestnej, regionálnej a národnej legislatívy.

### POZNÁMKA

Aby ste predišli poškodeniu vialky na vzorky a prístroja, udržiavajte otvory ohrievacieho bloku suché. Vonkajší povrch vialiek dokonale osušte.

### POZNÁMKA

Aby ste predišli poškodeniu prístroja, po náhodnom vylití kvapaliny alebo po prasknutí vialky na vzorky prístroj okamžite odpojte od elektrického napájania a potom ho vyčistite. Pozrite časť [Čistenie prístroja](#) na strane 195.

### POZNÁMKA

Neprikrývajte vetracie otvory na ochrannom kryte. Prístroj a vialky na vzorky sa môžu nadmerne zohriať, čo spôsobí zníženie presnosti merania.

1. Pripravte analyzované vzorky do vialiek podľa pracovného analytického postupu.
2. Zatvorte vialky viečkami.
3. Dokonale osušte vonkajší povrch vialiek.
4. Zapnite prístroj a otvorte ochranný kryt. Na displeji sa zobrazí teplotný program (programy), ktoré boli zvolené pri predchádzajúcom použití.

5. Pri použití 16mm skúmaviek s ohrievacím blokom s 20mm otvormi vložte do otvorov redukčné adaptéry.
6. LT 200: Vložte pripravené vialky do správneho ohrievacieho bloku a zatvorte ochranný kryt.
7. Pomocou klávesov zvolte správny teplotný program (a dobu mineralizácie, ak je to potrebné) a potom stlačte **Start** (Štart). Pozrite časť [Uložené programy](#) na strane 193. Pri použití dvoch ohrievacích blokov sa teplotný program volí nezávisle pre každý ohrievací blok.

**Poznámka:** Aby ste zastavili program, stlačte dvakrát kláves pod programom.

LT 200: Spustí sa program mineralizácie. Teplota ohrievacieho bloku sa bude zvyšovať, kým nedosiahne zvolenú teplotu, potom sa automaticky spustí odpočítavanie času až po nulu (0). Po dokončení programu mineralizácie zaznejú tri pípnutia a ohrievač sa vypne.

DRB 200: Teplota ohrievacieho bloku sa zvýši na zvolenú teplotu.

8. DRB 200: Keď ohrievací blok dosiahne zvolenú teplotu (zaznejú dve pípnutia), vložte pripravené vialky do správneho ohrievacieho bloku a zatvorte ochranný kryt. Stlačte **Start** (Štart) na spustenie programu mineralizácie.

Po dokončení programu mineralizácie zaznejú tri pípnutia a ohrievač sa vypne.

## Uložené programy

[Tabuľka 3](#) uvádza popis uložených teplotných programov pre LT 200.

[Tabuľka 4](#) uvádza popis uložených teplotných programov pre DRB 200.

**Tabuľka 3 Uložené programy – LT 200**

Program	Popis
COD	Zvyšuje teplotu vzorkových buniek na 148 °C za 120 minút. Pri fáze chladenia počuť štyri pípnutia, keď vzorková bunka dosiahne teplotu 80 °C. Vzorkové bunky vyberte a skôr, ako ich necháte vychladnúť na stojane, ich niekoľkokrát opatrne prevráťte. Teplotný program COD sa dá použiť pri všetkých testovacích vzorkovacích bunkách COD.
100 °C	Zvyšuje teplotu vzorkových buniek na 100 °C za 10, 60 alebo 120 minút. Napríklad, teplotný program „100 °C, 60 minút“ sa používa na: <ul style="list-style-type: none"> <li>• Identifikáciu fosfátu a chrómu</li> <li>• Asimiláciu ťažkých kovov</li> <li>• Asimiláciu vzoriek použitím súpravy LCW 902 Crack Set</li> </ul>
40 °C	Zvyšuje teplotu vzorkových buniek na 40 °C za 10 minút. Napríklad teplotný program „40 °C, 10 minút“ sa používa na formaldehydový test alebo enzymatické testy potravín.

**Tabuľka 4 Uložené programy – DRB 200**

Program	Popis
COD	Zvyšuje teplotu vzorkových buniek na 150 °C za 120 minút. Pri fáze chladenia počuť štyri pípnutia, keď vzorková bunka dosiahne teplotu 120 °C. Vzorkové bunky vyberte a skôr, ako ich necháte vychladnúť na stojane, ich niekoľkokrát opatrne prevráťte.
TOC	Zvyšuje teplotu vzorkových buniek na 105 °C za 120 minút. Teplotný program TOC sa môže použiť pri všetkých testoch vzorkových buniek Hach TOC.
100 °C	Zvyšuje teplotu vzorkových buniek na 100 °C za 30, 60 alebo 120 minút. Napríklad, teplotný program „100 °C, 60 minút“ sa používa na: <ul style="list-style-type: none"> <li>• Asimiláciu buniek použitím súpravy na prípravu kovov</li> <li>• Identifikáciu fosfátu a chrómu</li> <li>• Asimiláciu ťažkých kovov</li> </ul>

**Tabuľka 4 Uložené programy – DRB 200 (pokračovanie)**

Program	Popis
105 °C	Zvyšuje teplotu vzorkových buniek na 105 °C za 30, 60 alebo 120 minút.
150 °C	Zvyšuje teplotu vzorkových buniek na 150 °C za 30, 60 alebo 120 minút.
165 °C	Zvyšuje teplotu vzorkových buniek na 165 °C za 30, 60 alebo 120 minút.

### Používateľské programy

LT 200 má k dispozícii šesť teplotných programov, ktoré sú nakonfigurované používateľom (PRG1 – PRG6). DRB 200 má k dispozícii tri teplotné programy, ktoré sú nakonfigurované používateľom (PRG1 – PRG3).

Konfigurácia používateľského teplotného programu:

1. Použitím klávesov si zvolíte používateľský program.
2. Stlačením **Prog** (Program) zadajte režim programovania.
3. Zvoľte 4-znakový názov programu. Aby ste zmenili znak, stlačte ľavý kláves. Stlačením klávesu s šípkou smerujúcou vpravo posúvajte kurzor na ďalšiu polohu. Stlačením **OK** zmenu uložte.
4. Stlačte alebo podržte stlačené klávesy so šípkami smerujúcimi hore alebo dolu, aby ste nastavili teplotu (37 až 150 °C). Stlačením **OK** zmenu uložte.
5. Stlačte alebo podržte stlačené klávesy so šípkami smerujúcimi hore alebo dolu, aby ste nastavili dobu (0 až 480 minút). Stlačením **OK** zmenu uložte.
6. Stlačením **OK** uložte program.

## Údržba

### ▲ UPOZORNENIE



Viacnásobné nebezpečenstvo. Úkony popísané v tejto časti návodu smú vykonávať iba kvalifikovaní pracovníci.

### POZNÁMKA

Nerozoberajte merací prístroj na účely údržby. Ak je potrebné opraviť alebo vyčistiť vnútorné komponenty, obráťte sa na výrobcu.

## Čistenie prístroja

Na zaistenie nepretržitej a presnej činnosti prístroja ho udržiavajte v čistote.

### ▲ UPOZORNENIE



Nebezpečenstvo vzniku požiaru. Na čistenie prístroja nepoužívajte horľavé prípravky.

### ▲ UPOZORNENIE



Nebezpečenstvo popálenia. Prístroj nečistite, kým je horúci.

### POZNÁMKA

Aby ste predišli poškodeniu prístroja, nepoužívajte na jeho čistenie ani na čistenie jeho displeja čistiace prípravky ako terpentín, aceton alebo podobne.

1. Prístroj vypnite a odpojte prívodný elektrický kábel.
2. Po vychladnutí prístroja vyčistite jeho povrch mäkkou handričkou navlhčenou v roztoku jemného saponátu. Uistite sa, že do prístroja nevníkne voda.

Ak sa vyleje vzorka z vialky alebo vialka praskne:

1. Prístroj vypnite a odpojte prívodný elektrický kábel.

2. Nechajte, aby klesla teplota ohrievacieho bloku (blokov), kým vialky nevychladnú.
3. Odstráňte kvapalinu pipetou. Nedovoľte, aby sa kvapalina dostala do kontaktu s pokožkou.
4. Kvapalinu zneškodnite správnym spôsobom.
5. Rozbité sklo odstráňte kliešťami. Z prístroja odstráňte všetky zvyšky kvapaliny. Nedovoľte, aby sa kvapalina dostala do kontaktu s pokožkou.

## Odmerajte teplotu ohrievacieho bloku

Odmerajte teplotu ohrievacieho bloku, aby ste sa uistili, že teplota zobrazená na displeji je správna.

Teplota zobrazená na displeji je teplota v zatvorenej vialke naplnenej kvapalinou. Počas zvyšovania teploty ohrievacieho bloku môže byť teplota ohrievacieho bloku v blízkosti ohrievača vyššia ako je teplota zobrazená na displeji.

Potrebné nástroje:

- Vialka na vzorky (LT 200: LCW906, DRB 200: 2275800)
- Glycerol (bezvodý), 5 ml
- Teplomer tyčinkového typu, kalibrovaný na 95 až 155 °C (203 až 311 °F), typ 67C podľa ASTM

Pri meraní teploty ohrievacieho bloku:

1. Naplňte čistú, prázdnu vialku glycerolom pri izbovej teplote.
2. Vložte teplomer do vialky tak, aby sa dotýkal dna vialky.
3. LT 200: Uistite sa, že hladina glycerolu je 62 mm ± 0,5 mm (2,44 palca ± 0,02 palca) od dna vialky, keď je teplomer vo vialke.
4. DRB 200: Uistite sa, že hladina glycerolu je 56 mm ± 0,5 mm (2,20 palca ± 0,02 palca) od dna vialky, keď je teplomer vo vialke.
5. Vložte vialku do stredu otvoru druhého riadku ohrievacieho bloku.
6. Pomocou klávesov spusťte teplotný program 100 °C počas 60 minút a potom stlačte **OK**.
7. Keď ohrievací blok dosiahne zvolenú teplotu (počúť dve pípnutia), teplota by sa mala zhodovať s teplotou zobrazenou na displeji.

## Riešenie problémov

Správy o chybe, možné príčiny a nápravné opatrenia nájdete v [Tabuľka 5](#).

**Tabuľka 5 Chybové hlásenia**

Chyba	Riešenie
BLOCK IS TOO HOT! (BLOK JE PRÍLIŠ HORÚCI!) PLEASE WAIT (PROSÍM, POČKAJTE!)	Teplota ohrievacieho bloku je vyššia ako zvolená teplota. Počkajte, kým teplota ohrievacieho bloku neklesne.
INIT ERROR (POČIAT. CHYBA)	Prístroj nefunguje. Kontaktujte servis pre zákazníkov.

## Náhradné diely a príslušenstvo

### ⚠ V A R O V A N I E



Nebezpečenstvo poranenia osôb. Používanie neschválených častí môže spôsobiť poranenie osôb, poškodenie prístroja alebo poruchy zariadenia. Náhradné diely uvedené v tejto časti sú schválené výrobcom.

***Poznámka:** Čísla produktov a položiek sa môžu odlišovať v niektorých predajných oblastiach. Pre kontaktné informácie sa obráťte na príslušného distribútora alebo si pozrite webovú stránku spoločnosti.*

### Náhradné diely

Popis	Množstvo	Kód položky
Ochranný kryt	1	LZT048

### Príslušenstvo – RB 200

Popis	Množstvo	Kód položky
Redukčný adaptér, 20 > 16 mm	1	HHA155
Redukčný adaptér, 16 > 13 mm	1	2895805

### Príslušenstvo – RB 200 (pokračovanie)

Popis	Množstvo	Kód položky
Skúmavka, 16 x 100 mm	1	2275800
Skúmavka, 16 x 100 mm	6	2275806
Teplomer, 0 až 200 °C	1	4565500

## Kazalo vsebine

Specifikacije na strani 197

Splošni podatki na strani 197

Namestititev na strani 199

Uporabniški vmesnik in pomikanje na strani 201

Zagon na strani 202

Delovanje na strani 202

Vzdrževanje na strani 205

Odpravljanje težav na strani 206

Nadomestni deli in dodatna oprema na strani 206

## Specifikacije

Pridržana pravica do spremembe tehničnih podatkov brez predhodnega obvestila.

Tehnični podatki	Podrobnosti
Dimensions (Mere)	25 x 14,5 x 31 cm (9,8 x 5,7 x 12,2 palca)
Teža	Enojni grelni blok: 2 kg (4,4 lb) Dvojni grelni blok: 2,8 kg (6,17 lb)
Napajanje	100–240 V, +5 % / -15 %, 50/60 Hz, razred zaščite I
Napajanje	Enojni grelni blok: 115 V: 300 VA; 230 V: 450 VA Dvojni grelni blok: 115 V: 600 VA; 230 V: 900 VA
Temperatura skladiščenja	–40 do +60 °C (–40 do +140 °F)
Delovna temperatura	10 do 45 °C (50 do 113°F)
Delovna vlažnost	90 % (brez kondenzacije)
Temperaturno območje	LT 200: od 37 do 150 °C (od 98,6 do 302 °F) DRB 200: od 37 do 165 °C (od 98,6 do 329 °F) Časovnik: od 0 do 480 minut
Stabilnost temperature	LT 200: ± 1 °C (± 2 °F) DRB 200: ± 2 °C (± 3,5 °F)

Tehnični podatki	Podrobnosti
Hitrost segrevanja	LT 200: od 20 do 148 °C (od 68 do 298 °F) v 10 minutah (v skladu s standardom DIN 38409-44) DRB 200: od 20 do 150 °C (od 68 do 302 °F) v 10 minutah
Potrdila	CE in cTUVus

## Splošni podatki

V nobenem primeru proizvajalec ne prevzema odgovornosti za neposredno, posredno, posebno, nezgodno ali posledično škodo, nastalo zaradi kakršnekoli napake ali izpusta v teh navodilih. Proizvajalec si pridržuje pravico do sprememb v navodilih in izdelku, ki ga opisuje, brez vnaprejšnjega obvestila. Prenovljene različice najdete na proizvajalčevi spletni strani.

## Varnostni napotki

### OPOMBA

Proizvajalec ne odgovarja za škodo, ki bi nastala kot posledica napačne aplikacije ali uporabe tega izdelka, kar med drugim zajema neposredno, naključno in posledično škodo, in zavrača odgovornost za vso škodo v največji meri, dovoljeni z zadevno zakonodajo. Uporabnik je v celoti odgovoren za prepoznavo tveganj, ki jih predstavljajo kritične aplikacije, in namestitve ustreznih mehanizmov za zaščito procesov med potencialno okvaro opreme.

Še pred razpakiranjem, zagonom ali delovanjem te naprave v celoti preberite priložena navodila. Še posebej upoštevajte vse napotke o nevarnostih in varnostne napotke. V nasprotnem primeru obstaja nevarnost hudih poškodb uporabnika oz. škode na opremi.

Zaščita te opreme mora biti brezhibna. Uporabljajte in nameščajte jo izključno tako, kot je navedeno v tem priročniku.

## Uporaba varnostnih informacij

### ▲ NEVARNOST

Označuje možno ali neposredno nevarno situacijo, ki lahko povzroči smrt ali hude poškodbe.

## ▲ OPOZORILO

Označuje možno ali neposredno nevarno situacijo, ki lahko privede do hude poškodbe ali povzroči smrt, če se ji ne izognete.

## ▲ PREVIDNO





Označuje možno nevarno situacijo, ki lahko povzroči manjše ali srednje težke poškodbe.

## OPOMBA

Označuje situacijo, ki lahko, če se ji ne izognete, povzroči poškodbe instrumenta. Podatki, ki jih je potrebno posebej upoštevati.

### Opozorilne oznake

Upoštevajte vse oznake in tablice, ki so nameščene na napravo. Neupoštevanje tega lahko privede do telesnih poškodb ali poškodb naprave. Simbol je, če je označen na napravi, v navodilih naveden z napotkom o nevarnosti ali previdnostnim ukrepom.

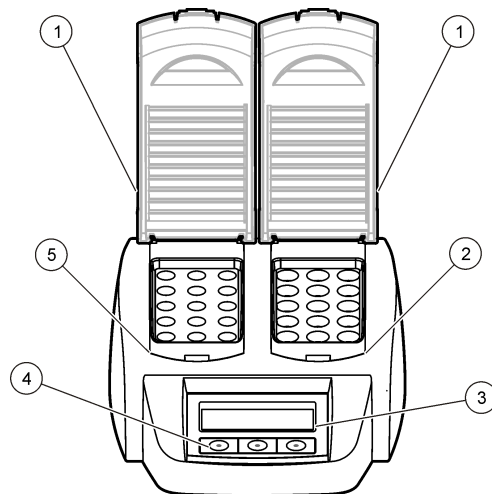
	Če je na napravi ta simbol, preberite podrobnosti o njem v navodilih za uporabo in/ali v razdelku za informacije o varnosti.
	Električne opreme, označene s tem simbolom, v EU ni dovoljeno odlagati v domačih ali javnih sistemih za odstranjevanje odpadkov. Staro ali izrabljeno opremo vrnite proizvajalcu, ki jo mora odstraniti brez stroškov za uporabnika.
	Ta simbol opozarja, da je označeni del lahko vroč, zato se ga ne dotikajte brez ustreznih zaščitnih ukrepov.
	Ta simbol označuje, da je treba označeni predmet zaščititi z ozemljitveno povezavo. Če instrument ni opremljen z ozemljitvenim vtičem na kablu, izdelajte zaščitno ozemljitveno povezavo do priključka zaščitnega vodnika. Če pozitivna ozemljitev ni predvidena že na vtiču ali kablu, jo povežite s tem priključkom (v kable za ameriški trg je ozemljitev vdelana).

### Pregled izdelka

Instrument je opremljen z enim ali dvema grelnima blokoma, namenjenima segrevanju raztopin v okroglih kivetah do določene temperature v določenem časovnem okviru (Slika 1).

Naprava LT 200 ima tri shranjene temperaturne programe in šest temperaturnih programov, ki jih lahko nastavi in shrani uporabnik. Naprava LT 200 ima šest shranjenih temperaturnih programov in tri temperaturne programe, ki jih lahko nastavi in shrani uporabnik.

Slika 1 Pogled od spredaj




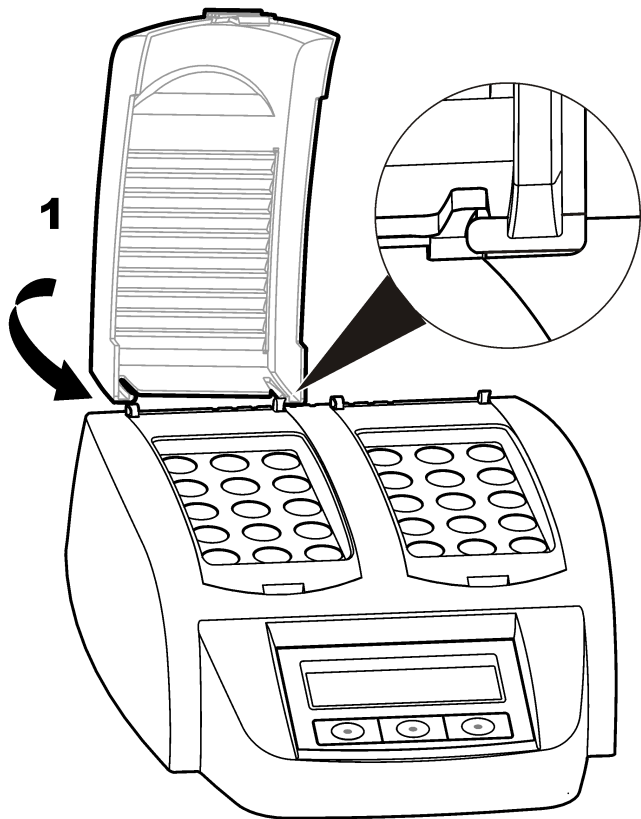
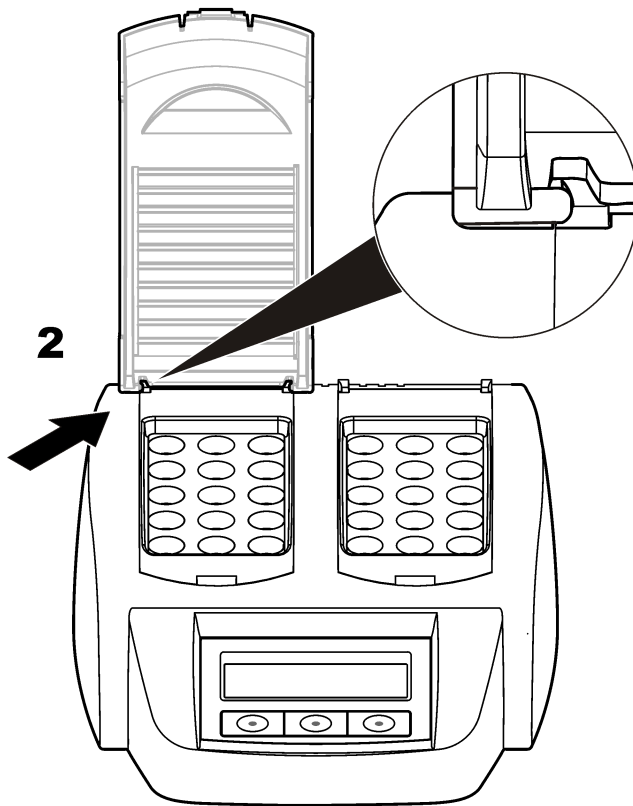
1 Zaščitni pokrov	3 Zaslona	5 Levi grelni blok
2 Desni grelni blok	4 Tipke	

## Namestitev

Glejte ilustrirana navodila v nadaljevanju.

### Namestitev zaščitnih pokrovov

<b>▲ OPOZORILO</b>	
	Nevarnost električnega udara in opeklin. Namestite zaščitni pokrov, da preprečite telesne poškodbe. Zaščitni pokrov ščiti pred opeklinami in preprečuje stik napajalnega kabla z grelnim blokom.

**1****2**

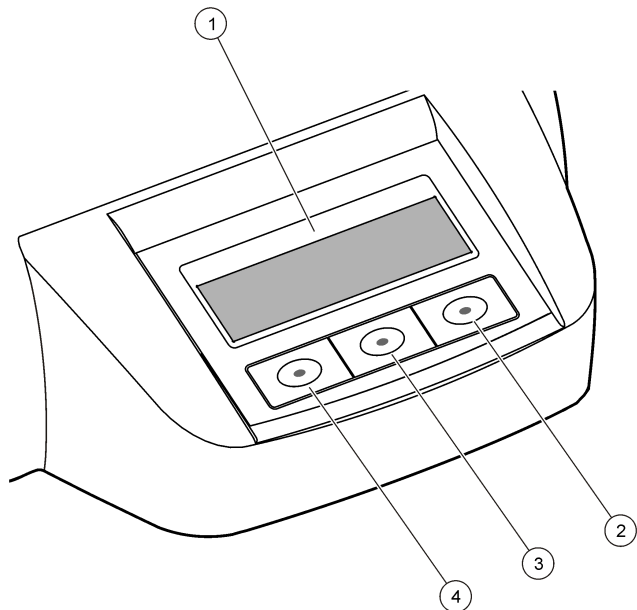


## Uporabniški vmesnik in pomikanje

### Uporabniški vmesnik

Instrument lahko upravljate s tremi tipkami pod zaslonom (Slika 2). Funkcija posamezne tipke je prikazana na zaslonu. Če funkcija za določeno tipko ni prikazana, ta tipka trenutno ne deluje.

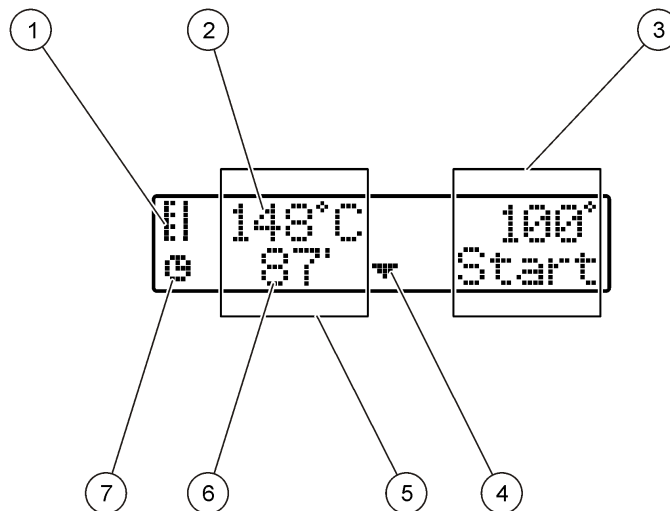
Slika 2 Opis tipkovnice



1 Zaslón	3 Srednja tipka
2 Desna tipka	4 Leva tipka


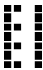

### Opis zaslona

Slika 3 Prikaz zaslona, ko je aktiven samo program na levem grelnem bloku.



1 Simbol termometra	5 Levi grelni blok
2 Temperatura grelnega bloka	6 Preostali čas
3 Desni grelni blok	7 Simbol štoparice
4 Tipka s puščico navzdol (za izbiro programa)	

**Tabela 1 Simboli termometra**

Simbol	Opis
	Grelni blok se segreva.
	Grelni blok je dosegel izbrano temperaturo.
	Grelni blok se ohlaja.

## Zagon

### Vklop instrumenta

#### OPOMBA

Instrumenta ne vklopite takoj po izklopu, saj bi ga lahko s tem poškodovali. Pred ponovnim vklopom instrumenta vedno počakajte približno 20 sekund.

- Instrument postavite na stabilno in ravno površino, odporno na vročino.
- Povežite napajalni kabel z napajalnim priključkom na hrbtni strani instrumenta.
- Napajalni kabel priključite v vtičnico z ozemljitvenim priključkom.
- Instrument vklopite s stikalom za vklop na hrbtni strani.  
Ob prvem vklopu instrumenta se pojavi zaslon za izbiro jezika. Glejte [Nastavitev jezika](#) na strani 202.

### Nastavitev jezika

- Pridržite levo tipko in vklopite instrument.
- Za pomikanje po meniju pritisnite desno puščico. Ko dosežete konec menija, se zaslon vrne na začetek menija.

- Ko je prikazan zeleni jezik, pritisnite tipko, da ga potrdite. Glejte [Tabela 2](#).

**Tabela 2 Jezikovne nastavitve**

Nastavitev	Jezik	Nastavitev	Jezik
GB	Angleščina	E	Španščina
D	Nemščina	NL	Nizozemščina
F	Francoščina	S	Švedščina
I	Italijanščina	PL	Poljščina

### Nastavitev kontrasta zaslona

- Pridržite srednjo tipko in vklopite instrument.
- Vrednost kontrasta spreminjate tako, da pritisnete ali držite puščici navzgor oziroma navzdol.
- Če želite shraniti spremembo, pritisnite možnost **OK** (v redu).

## Delovanje

### ▲ NEVARNOST



Nevarnost izpostavljenosti kemikalijam. Upoštevajte varnostne predpise v laboratoriju in nosite vso osebno zaščitno opremo, primerno za delo s kemikalijami, ki jih trenutno uporabljate. Za varnostne protokole glejte veljaven varnostni list (MSDS/SDS).

## Rutinski postopki

### ▲ PREVIDNO



Nevarnost opeklin. V odprtine v grelnem bloku ne vstavljajte prstov. Pred začetkom segrevanja grelnega bloka zaprite zaščitni pokrov, ki naj bo med delovanjem ves čas zaprt.

### ▲ PREVIDNO



Nevarnost opeklin. Vzorčne kivete so vroče. Nosite sredstva za zaščito pred vročino (npr. rokavice ali zaščitne naprstnike). Ne odstranjujte kivet s temperaturo nad 80 °C. V kolorimeter ne postavljajte kivet s temperaturo nad 80 °C.

### ▲ PREVIDNO



Kemijska nevarnost. Če kiveta počí, pazite, da tekočina ne pride v stik s kožo. Uporabljajte digestorij za odstranjevanje kemičnih hlapov.

### ▲ PREVIDNO



Nevarnost izpostavljenosti kemikalijam. Kemikalije in odpadke zavrzite v skladu z lokalnimi, regionalnimi in nacionalnimi predpisi.

### OPOMBA

Da se kiveta in instrument ne bi poškodovala, naj bodo odprtine v grelnem bloku vedno suhe. Zunanost kivet naj bo povsem suha.

### OPOMBA

Da se instrument ne bi poškodoval, nemudoma odklopite napajanje in očistite instrument, če se tekočina razlije ali se razbije kiveta. Glejte [Čiščenje senzorja](#) na strani 205.

### OPOMBA

Ne prekrijte rež za prezračevanje v zaščitnem pokrovu. Instrument in kivete z vzorcem se lahko pretirano segrejejo, zato meritev morda ne bo točna.

1. Pripravite testne kivete, kot je navedeno v postopku za analizo.
2. Zaprite vzorčne kivete s pokrovčkom.
3. Zunanost kivet naj bo povsem suha.
4. Vklomite instrument in odprite zaščitni pokrov. Na zaslonu je prikazan zadnji izbrani temperaturni program.
5. Če uporabljate 16-milimetrske cevke z grelnim blokom z 20-milimetrskimi odprtini, v odprtine vstavite nastavek adapter.

6. LT 200: V pravi grelni blok vstavite testne kivete in zaprite zaščitni pokrov.
7. S tipkami izberite pravilni temperaturni program (in, če je primerno, čas razklopa) in nato izberite možnost **Start** (začetek). Glejte [Shranjeni programi](#) na strani 203. Če sta grelna bloka dva, je temperaturni program izbran za vsakega ločeno.

**Napotek:** Če želite prekiniti program, dvakrat pritisnite tipko pod tem programom.

LT 200: Program razklopa se zažene. Grelni blok se segreje do izbrane temperature, nato se samodejno začne odštevanje časa do vrednosti nič (0). Ko je program razklopa končan, se slišijo trije piski in se grelnik izklopi.

DRB 200: Grelni blok se segreje do izbrane temperature.

8. DRB 200: Ko grelni blok doseže izbrano temperaturo (aparatus zapiska), v pravi grelni blok vstavite testne kivete in zaprite zaščitni pokrov. Za začetek programa razklopa pritisnite tipko **Start** (začetek). Ko je program razklopa končan, se slišijo trije piski in se grelnik izklopi.

## Shranjeni programi

[Tabela 3](#) navaja opise shranjenih temperatur programov za LT 200.

[Tabela 4](#) navaja opise shranjenih temperatur programov za DRB 200.

**Tabela 3 Shranjeni programi – LT 200**

Program	Opis
COD (KPK)	Segrevanje kivet na 148 °C za 120 minut. Med fazo ohlajanja aparat štirikrat zapiska, ko testne kivete dosežejo temperaturo 80 °C. Odstranite kivete in jih večkrat previdno obrnite, preden jih pustite hladiti v nosilcu. Temperaturni program COD (Chemical Oxygen Demand – kemijska potreba po kisiku) lahko uporabljate z vsemi kivetnimi testi za KPK družbe Hach.
100 °C	Segrevanje kivet na 100 °C za 10, 60 ali 120 minut. Temperaturni program "100 °C, 60 minut" je na primer namenjen za: <ul style="list-style-type: none"> <li>• Identifikacijo fosfatov in kroma</li> <li>• Digestacijo težkih kovin</li> <li>• Digestacijo vzorcev s kompletom LCW 902 Crack Set</li> </ul>
40 °C	Segrevanje kivet na 40 °C za 10 minut. Temperaturni program "40 °C, 10 minut" je na primer namenjen testom s formaldehidom in encimskim testom v živilski industriji.

**Tabela 4 Shranjeni programi – DRB 200**

Program	Opis
COD (KPK)	Segrevanje kivet na 150 °C za 120 minut. Med fazo ohlajanja aparat štirikrat zapiska, ko testne kivete dosežejo temperaturo 120 °C. Odstranite kivete in jih večkrat previdno obrnite, preden jih pustite hladiti v nosilcu.
TOC (skupni organski ogljik)	Segrevanje kivet na 105 °C za 120 minut. Temperaturni program TOC lahko uporabljate z vsemi kivetnimi testi za TOC družbe Hach.

**Tabela 4 Shranjeni programi – DRB 200 (nadaljevanje)**

Program	Opis
100 °C	Segrevanje kivet na 100 °C za 30, 60 ali 120 minut. Temperaturni program "100 °C, 60 minut" je na primer namenjen za: <ul style="list-style-type: none"> <li>• Digestacijo vzorcev s kompletom za pripravo kovin</li> <li>• Identifikacijo fosfatov in kroma</li> <li>• Digestacijo težkih kovin</li> </ul>
105 °C	Segrevanje kivet na 105 °C za 30, 60 ali 120 minut.
150 °C	Segrevanje kivet na 150 °C za 30, 60 ali 120 minut.
165 °C	Segrevanje kivet na 165 °C za 30, 60 ali 120 minut.


## Uporabniški programi

It 200 ima šest temperaturnih programov, ki jih lahko nastavlja uporabnik (PRG1–PRG6). DRB 200 ima tri temperaturne programe, ki jih lahko nastavlja uporabnik (PRG1–PRG3).

Za konfiguracijo uporabniškega temperaturnega programa:

1. S tipkami izberite uporabniški temperaturni program.
2. Pritisnite možnost **Prog** (programiranje), da odprete način za programiranje.
3. Določite 4-mestno ime programa. Če želite spremeniti znak, pritisnite levo tipko. Za premik na naslednji položaj pritisnite desno puščično tipko. Če želite shraniti spremembo, pritisnite možnost **OK** (v redu).
4. Za nastavitev temperature (med 37 in 150 °C) pritisnite ali pridržite puščični tipki navzgor oziroma navzdol. Če želite shraniti spremembo, pritisnite možnost **OK** (v redu).
5. Za nastavitev časa (med 0 in 480 minut) pritisnite ali pridržite puščični tipki navzgor oziroma navzdol. Če želite shraniti spremembo, pritisnite možnost **OK** (v redu).
6. Če želite shraniti program, pritisnite možnost **OK** (v redu).


## Vzdrževanje


▲ PREVIDNO	
	Različne nevarnosti Opravila, opisana v tem delu dokumenta, lahko izvaja samo usposobljeno osebje.

OPOMBA
Ne razstavljajte inštrumenta zaradi vzdrževanja. V kolikor je potrebno čiščenja ali zamenjava notranjih delov kontaktirajte proizvajalca.

## Čiščenje senzorja

Za neprekinjeno in natančno delovanje mora biti instrument čist.

▲ PREVIDNO	
	Nevarnost požara. Za čiščenje inštrumenta ne uporabljajte vnetljivih snovi.

▲ PREVIDNO	
	Nevarnost opeklin. Inštrumenta ne čistite, dokler je vroč.

OPOMBA
Za čiščenje inštrumenta in zaslona ne uporabljajte čistilnih sredstev, kot so terpentini, aceton ali podobni izdelki, da ga ne bi poškodovali.

1. Izklopite instrument in izključite napajalni kabel.
2. Ko se instrument ohladi, očistite njegovo površino z mehko krpo, navlaženo z blago milno raztopino. Pazite, da v notranjost inštrumenta ne prodre voda.

Če se tekočina v kivetu z vzorcem polije ali kiveta počí:

1. Izklopite instrument in izključite napajalni kabel.
2. Počakajte, da temperatura grelnih blokov in kivet z vzorcem pade.

3. Tekočino odstranite s pipeto. Pazite, da tekočina ne pride v stik s kožo.
4. Tekočino ustrezno zavržite.
5. Razbito steklo odstranite s pinceto. Odstranite vso preostalo tekočino z inštrumenta. Pazite, da tekočina ne pride v stik s kožo.

## Merjenje temperature grelnega bloka

Izmerite temperaturo grelnega bloka in se tako prepričajte, ali je na zaslonu prikazana pravilna temperatura.

Temperatura, prikazana na zaslonu, je temperatura v zaprti vzorčni kivetu, ki je napolnjena s tekočino. Med segrevanjem grelnega bloka lahko temperatura grelnega bloka v bližini grelnika presega temperaturo, prikazano na zaslonu.

Potrebni so naslednji pripomočki:

- Kiveta z vzorcem (LT 200: LCW906, DRB 200: 2275800)
- Glicerol (brezvodni), 5 ml
- Termometer, vbodni, umerjen za razpon med 95 in 155 °C (od 203 do 311 °F), tip 67 C po ASTM

Merjenje temperature grelnega bloka:

1. Prazno in čisto kiveto napolnite z glicerolom sobne temperature.
2. Termometer vstavite v kiveto, da se dotika njenega dna.
3. LT 200: Nivo glicerola mora segati 62 mm ± 0,5 mm (2,44 palca ± 0,02 palca) nad dno kivete, ko je v kiveto vstavljen termometer.
4. DRB 200: Nivo glicerola mora segati 56 mm ± 0,5 mm (2,20 palca ± 0,02 palca) nad dno kivete, ko je v kiveto vstavljen termometer.
5. Kiveto vstavite v srednje ležišče v drugi vrsti na grelnem bloku.
6. S tipkami zaženite temperaturni program 100 °C za 60 minut in pritisnite možnost **OK** (v redu).
7. Ko grelni blok doseže izbrano temperaturo (zaslišite dva piska), mora biti temperatura, izmerjena s termometrom, enaka temperaturi na zaslonu.

## Odpravljanje težav

Za sporočila o napakah, možnih vzrokih zanje in ukrepih za njihovo odpravo glejte [Tabela 5](#).

**Tabela 5 Sporočila o napakah**

Napaka	Rešitev
BLOCK IS TOO HOT! (Blok je prevroč!) PLEASE WAIT (Počakajte)	Temperatura grelnega bloka presega izbrano temperaturo. Počakajte, da se grelni blok ohladi.
INIT ERROR (Napaka v inicializaciji)	Instrument je okvarjen. Obrnite se na službo za pomoč uporabnikom.

## Nadomestni deli in dodatna oprema

### ⚠ OPOZORILO



Nevarnost telesnih poškodb. Z uporabo neodobrenih delov tvegate telesne poškodbe, materialno škodo na instrumentih ali okvaro opreme. Nadomestne dele v tem razdelku je odobril proizvajalec.

**Napotek:** Za nekatere prodajne regije se lahko številka izdelka in artikla razlikuje. Za kontaktne informacije stopite v stik z ustreznim prodajalcem ali pa jih poiščite na spletni strani podjetja.

### Nadomestni deli

Opis	Količina	Št. dela
Zaščitni pokrov	1	LZT048

### Dodatna oprema—DRB 200

Opis	Količina	Št. dela
Prilagoditveni nastavek, 20 > 16 mm	1	HHA155
Prilagoditveni nastavek, 16 > 13 mm	1	2895805
Cevka, 16 x 100 mm	1	2275800

### Dodatna oprema—DRB 200 (nadaljevanje)

Opis	Količina	Št. dela
Cevka, 16 x 100 mm	6	2275806
Termometer, od 0 do 200 °C	1	4565500

## Sadržaj

Specifikacije na stranici 207

Opći podaci na stranici 207

Instalacija na stranici 209

Korisničko sučelje i navigacija  
na stranici 211

Pokretanje na stranici 212

Rad na stranici 212

Održavanje na stranici 215

Rješavanje problema na stranici 216

Zamjenski dijelovi i dodatna oprema  
na stranici 216

## Specifikacije

Specifikacije se mogu promijeniti bez prethodne najave.

Specifikacije	Pojedinosti
Dimenzije	25 x 14,5 x 31 cm
Težina	Jedan grijači blok: 2 kg Dva grijača bloka: 2,8 kg
Potrošnja struje	100–240 V, +5%/–15%, 50/60 Hz, klasa zaštite I
Ulaz napajanja	Jedan grijači blok: 115 V: 300 VA; 230 V: 450 VA Dva grijača bloka: 115 V: 600 VA; 230 V: 900 VA
Temperatura za pohranu	–40 do +60°C
Radna temperatura	10 do 45°C
Vlaga pri radu	90% (bez kondenzacije)
Raspon temperature	LT 200: od 37 do 150 °C (98,6 do 302 °F) DRB 200: od 37 do 165 °C (od 98,6 do 329 °F) Mjerač vremena: 0 do 480 minuta
Stabilnost temperature	LT 200: ± 1 °C (± 2 °F) DRB 200: ± 2 °C (± 3,5 °F)

Specifikacije	Pojedinosti
Brzina zagrijavanja	LT 200: od 20 do 148 °C (od 68 do 298 °F) u 10 min. (do DIN 38409-44) DRB 200: od 20 do 150 °C (od 68 do 302 °F) u 10 min.
Certifikati	CE i cTUVus

## Opći podaci

Ni u kojem slučaju proizvođač neće biti odgovoran za direktne, indirektne, specijalne, slučajne ili posljedične štete uzrokovane nedostacima ili propustima u ovom priručniku. Proizvođač zadržava pravo na izmjene u ovom priručniku te na opise proizvoda u bilo kojem trenutku, bez prethodne najave ili obaveze. Izmijenjena izdanja nalaze se na proizvođačevoj web stranici.

## Sigurnosne informacije

### **OBAVIJEST**


Proizvođač nije odgovoran za štetu nastalu nepravilnom primjenom ili nepravilnom upotrebom ovog proizvoda, uključujući, bez ograničenja, izravnu, slučajnu i posljedičnu štetu, te se odriče odgovornosti za takvu štetu u punom opsegu, dopuštenom prema primjenjivim zakonima. Korisnik ima isključivu odgovornost za utvrđivanje kritičnih rizika primjene i za postavljanje odgovarajućih mehanizama za zaštitu postupaka tijekom mogućeg kvara opreme.


Prije raspakiranja, postavljanja ili korištenja opreme pročitajte cijeli ovaj korisnički priručnik. Poštujte sva upozorenja na opasnost i oprez. Nepoštivanje ove upute može dovesti do tjelesnih ozljeda operatera ili oštećenja na opremi.


Uvjerite se da zaštitna koja se nalazi uz ovu opremu nije oštećena. Ne koristite i ne instalirajte ovu opremu na bilo koji način koji nije naveden u ovom priručniku.

## Korištenje informacija opasnosti

<b>▲ OPASNOST</b>	
	Označava potencijalno ili neposredno opasnu situaciju koja će, ako se ne izbjegne, dovesti do smrti ili ozbiljnih ozljeda.



<b>▲ UPOZORENJE</b>	
	Označava potencijalno ili neposredno opasnu situaciju koja će, ako se ne izbjegne, dovesti do smrti ili ozbiljnih ozljeda.



<b>▲ OPREZ</b>	
	Označava potencijalno opasnu situaciju koja će dovesti do manjih ili umjerenih ozljeda.

<b>OBAVIJEST</b>	
	Označava situaciju koja, ako se ne izbjegne će dovesti do oštećenja instrumenta. Informacije koje je potrebno posebno istaknuti.

## Oznake mjera predostrožnosti

Pročitajte sve naljepnice i oznake na instrumentu. Ako se ne poštuju, može doći do tjelesnih ozljeda ili oštećenja instrumenta. Ako se na instrumentu nalazi simbol, bit će uključen u upozorenje za opasnost ili oprez u priručniku.

	Ovaj simbol, ako se nalazi na instrumentu, navodi korisnički priručnik kao referencu za informacije o radu i/ili zaštiti.
	Električna oprema označena ovim simbolom ne smije se odlagati u europskim domaćim ili javnim odlagalištima. Staru ili isteklu opremu vratite proizvođaču koji će je odložiti bez naknade.

	Simbol upućuje na to da označena stavka može biti vruća i s njom bi se trebalo oprezno rukovati.
	Ovaj simbol naznačuje da označena stavka zahtijeva zaštitno uzemljenje. Ako kabel instrumenta nije isporučen s utikačem za uzemljenje, postavite zaštitno uzemljenje na kraj zaštitnog provodnika.

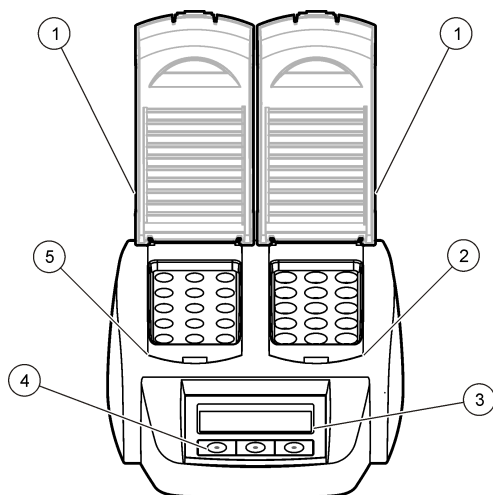
## Pregled proizvoda

Instrument sadrži jedan ili dva grijača bloka koji povećavaju temperaturu otopina u okruglim kivetama s uzorcima na određenu temperaturu u određenom vremenskom razdoblju ([Slika 1](#)).

LT 200 raspolaganju ima tri spremljena temperaturna programa i šest temperaturnih programa koje može konfigurirati i spremi sam korisnik. DRB 200 raspolaganju ima tri spremljena temperaturna programa i šest temperaturnih programa koje može konfigurirati i spremi sam korisnik.



Slika 1 Pogled sprijeda



## Instalacija

### Postavljanje zaštitnih poklopaca

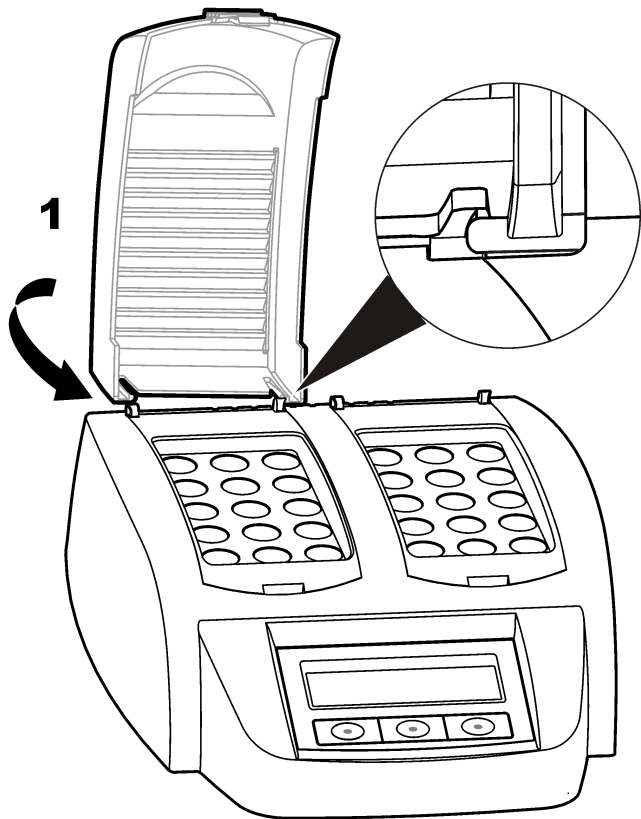
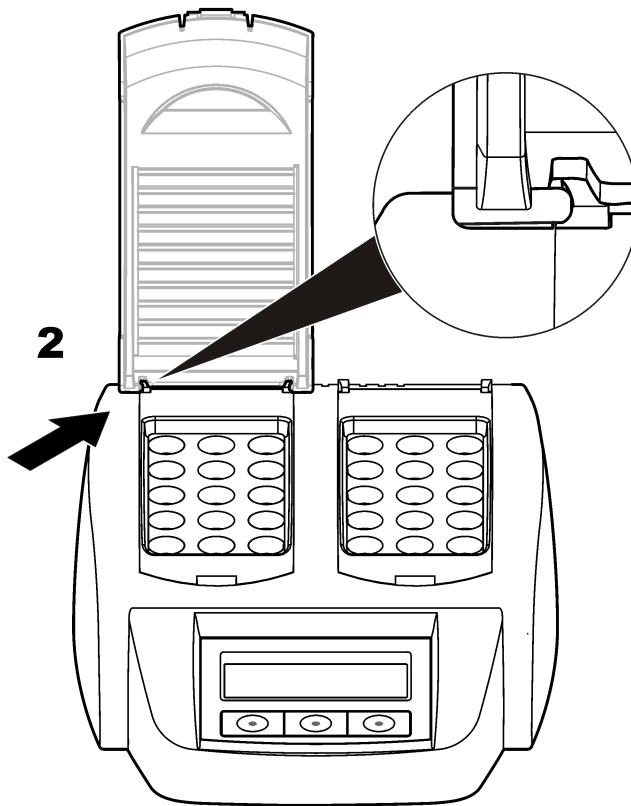
#### ⚠ UPOZORENJE



Opasnost od šoka i opekline. Zaštitni poklopac mora biti postavljen radi zaštite od ozljeda. Zaštitni poklopac štiti od opekline i onemogućava doticaj između kabela napajanja i grijaćeg bloka.

Pogledajte ilustrirane korake koji slijede.

1 Zaštitni poklopac	3 Zaslom	5 Lijevi grijaći blok
2 Desni grijaći blok	4 Tipke	

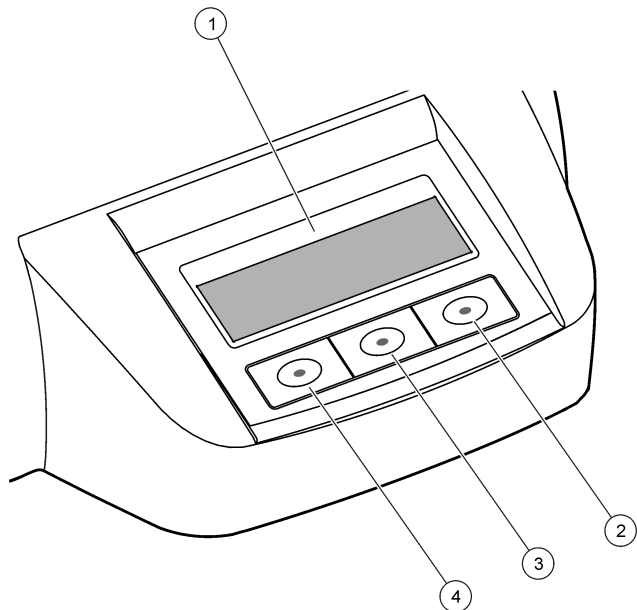
**1****2**

## Korisničko sučelje i navigacija

### Korisničko sučelje

Instrumentom se upravlja putem tri tipke koje se nalaze ispod zaslona (Slika 2). Funkcija svake od tipki prikazana je na zaslonu. Ako za tipku nije prikazana funkcija, ta će tipka biti privremeno neaktivna.

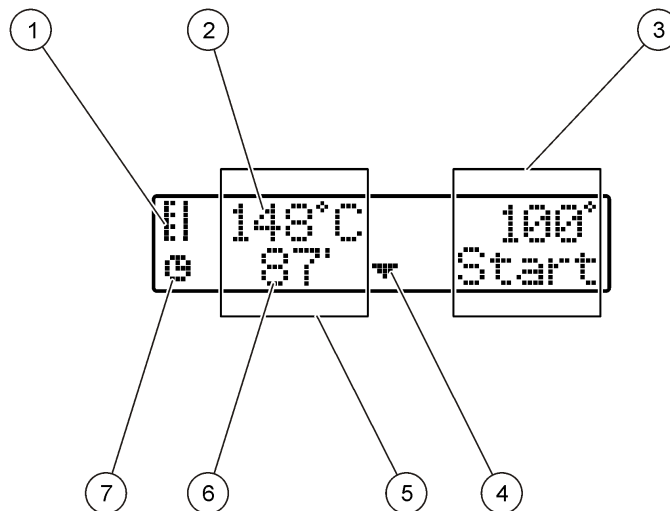
Slika 2 Opis tipkovnice



1 Zaslona	3 Srednja tipka
2 Tipka udesno	4 Tipka ulijevo


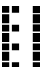

### Opis zaslona

Slika 3 Prikaz na zaslonu kada je program aktivan samo na lijevom grijačem bloku



1 Simbol termometra	5 Lijevi grijači blok
2 Temperatura grijaćeg bloka	6 Preostalo vrijeme
3 Desni grijači blok	7 Simbol mjeraca vremena
4 Tipka sa strelicom prema dolje (koristite je za odabir programa)	

**Tablica 1 Simboli termometra**

Simbol	Opis
	Temperatura grijaćeg bloka raste.
	Grijaći blok održava odabranu temperaturu.
	Temperatura grijaćeg bloka pada.

## Pokretanje

## Uključivanje instrumenta

### OBAVIJEST

Nemojte brzo isključivati i uključivati instrument jer time biste ga mogli oštetiti. Uvijek pričekajte oko 20 sekundi prije ponovnog uključivanja instrumenta.

1. Instrument postavite na stabilnu i ravnu površinu otpornu na visoke temperature.
2. Priključite kabel napajanja u pripadajući priključak na poleđini instrumenta.
3. Priključite kabel napajanja u utičnicu s uzemljenjem.
4. Pritisnite prekidač napajanja na poleđini instrumenta kako biste ga uključili.

Nakon prvog uključivanja instrumenta, prikazat će se zaslon za odabir jezika. Pogledajte [Odabir jezika](#) na stranici 212.

## Odabir jezika

1. Držite pritisnutom lijevu tipku i uključite instrument.

2. Za kretanje kroz izbornik pritisnite tipku sa strelicom udesno. Prikaz će se na kraju izbornika vratiti na njegov početak.
3. Nakon što se prikaže odgovarajući jezik, pritisnite tipku za jezik. Pogledajte [Tablica 2](#).

**Tablica 2 Postavke jezika**

Postavka	Jezik	Postavka	Jezik
GB	Engleski	E	Španjolski
D	Njemački	NL	Nizozemski
F	Francuski	S	Švedski
I	Talijanski	PL	Poljski

## Podešavanje kontrasta zaslona

1. Držite pritisnutom srednju tipku i uključite instrument.
2. Za promjenu vrijednosti kontrasta pritisnite ili držite pritisnutima tipke sa strelicama prema gore/dolje.
3. Za spremanje promjene pritisnite **OK**.

## Rad

### ⚠ OPASNOST



Opasnost od izlaganja kemikalijama. Poštujte laboratorijske sigurnosne propise i opremite se svom odgovarajućom osobnom zaštitnom opremom s obzirom na kemikalije kojima ćete rukovati. Sigurnosne protokole potražite na trenutno važećim sigurnosno tehničkim listovima materijala (MSDS/SDS).



## Rutinski rad

### ⚠ OPREZ



Opasnost od opekline. Nemojte stavljati prst u otvor grijaćeg bloka. Prije povećavanja temperature grijaćeg bloka zatvorite zaštitni poklopac i obavezno ga držite zatvorenim tijekom rada.

### ▲ OPREZ



Opasnost od opekline. Kivete s uzorcima su vruće. Obucite termoizolacijski materijal (npr. rukavice ili navlake za prste). Nemojte uklanjati kivetu s uzorkom koja je toplija od 80°C. Nemojte postavljati kivetu s uzorkom koja je toplija od 80°C u mjerač boje.

### ▲ OPREZ



Opasne kemikalije. Ako se kiveta s uzorkom razbije, nemojte dopustiti da tekućina dođe u doticaj s kožom. Prema potrebi za uklanjanje kemijskih para koristite laboratorijsku napu.

### ▲ OPREZ



Opasnost od izlaganja kemikalijama. Kemikalije i otpad odlažite sukladno lokalnim, regionalnim i državnim propisima.

### OBAVIJEST

Kako biste spriječili oštećenja kivete s uzorkom i instrumenta, otvore u grijačem bloku održavajte suhima. Vanjski dio kiveta s uzorcima mora biti potpuno suh.

### OBAVIJEST

Kako biste spriječili oštećenje instrumenta, odmah iskopčajte napajanje ako se uzorak slučajno prolje ili ako se kiveta s uzorkom razbije, a zatim očistite instrument. Pogledajte [Čišćenje instrumenta](#) na stranici 215.

### OBAVIJEST

Ne prekrivajte ventilacijske proreze na zaštitnom poklopcu. Instrument i kivete s uzorcima mogli bi se pregrijati i time smanjiti preciznost mjerenja.

1. Pripremite testne kivete s uzorcima kao što je navedeno u postupku analize.
2. Začepite kivete s uzorcima.
3. Vanjski dio kiveta s uzorcima mora biti potpuno suh.
4. Uključite instrument i otvorite zaštitni poklopac. Na zaslonu će se prikazati posljednji temperaturni program(i).
5. Ako koristite 16-mm cijevi uz grijaći blok s otvorom promjera 20 mm, u otvore stavite redukcijske adaptere.

6. LT 200: ćelije s uzrocima stavite u odgovarajući grijaći blok i zatvorite zaštitni poklopac.
7. Tipkama odaberite odgovarajući temperaturni program (prema potrebi i razdoblje digestije), a zatim pritisnite **Start** (Pokreni). Pogledajte [Spremljeni programi](#) na stranici 213. U slučaju dva grijaća bloka, temperaturni program odabire se neovisno za svaki od grijaćih blokova.

**Napomena:** *Kako biste zaustavili program, dvaput pritisnite tipku ispod programa.*

LT 200: pokreće se program razgradnje. Temperatura grijaćeg bloka povećat će se na odabranu temperaturu, a zatim će automatski krenuti odbrojavanje do nule (0). Kad se program razgradnje dovrši, čut će se tri zvučna signala, a grijač se isključuje.

DRB 200: temperatura grijaćeg bloka povećat će se na odabranu temperaturu.

8. DRB 200: nakon što grijaći blok postigne odabranu temperaturu (začut će se dva zvučna signala), kivete s uzorcima postavite u odgovarajući grijaći blok i zatvorite zaštitni poklopac. Za pokretanje programa razgradnje pritisnite **Start** (Pokreni).

Kad se program razgradnje dovrši, čut će se tri zvučna signala, a grijač se isključuje.

## Spremljeni programi

[Tablica 3](#) sadrži opise spremljenih temperaturnih programa za LT 200.  
[Tablica 4](#) sadrži opise spremljenih temperaturnih programa za DRB 200.

**Tablica 3 Spremljeni programi – LT 200**

Program	Opis
COD	Povećava temperaturu kiveta s uzorcima na 148°C, na 120 minuta. U fazi hlađenja, začut će se četiri zvučna signala nakon što kivete s uzorcima dosegnu temperaturu od 80°C. Izvadite i pažljivo okrenite kivete s uzorcima nekoliko puta i zatim ih ostavite da se ohlade na temperaturu okruženja. Temperaturni program COD možete koristiti za sve COD testove kiveta s uzorcima.
100°C	Povećava temperaturu kiveta s uzorcima na 100°C, na 10, 60 ili 120 minuta. Npr., temperaturni program "100°C, 60 minuta" koristi se za: <ul style="list-style-type: none"> <li>• Prepoznavanje fosfata i kroma</li> <li>• Digestiju teških metala</li> <li>• Digestija uzoraka pomoću kompleta LCW 902</li> </ul>
40°C	Povećava temperaturu kiveta s uzorcima na 40°C, na 10 minuta. Npr., temperaturni program "40°C, 10 minuta" koristi se za ispitivanje formaldehida ili za enzimsku analizu hrane.

**Tablica 4 Spremljeni programi – DRB 200**

Program	Opis
COD	Povećava temperaturu kiveta s uzorcima na 150°C, na 120 minuta. U fazi hlađenja, začut će se četiri zvučna signala nakon što kivete s uzorcima dosegnu temperaturu od 120°C. Izvadite i pažljivo okrenite kivete s uzorcima nekoliko puta i zatim ih ostavite da se ohlade na temperaturu okruženja.
TOC	Povećava temperaturu kiveta s uzorcima na 105°C, na 120 minuta. Temperaturni program TOC možete koristiti za sve Hach TOC testove kiveta s uzorcima.

**Tablica 4 Spremljeni programi – DRB 200 (nastavak)**

Program	Opis
100°C	Povećava temperaturu kiveta s uzorcima na 100°C, na 30, 60 ili 120 minuta. Npr., temperaturni program "100°C, 60 minuta" koristi se za: <ul style="list-style-type: none"> <li>• Digestiju uzoraka koristeći komplet za pripremu metala</li> <li>• Prepoznavanje fosfata i kroma</li> <li>• Digestiju teških metala</li> </ul>
105°C	Povećava temperaturu kiveta s uzorcima na 105°C, na 30, 60 ili 120 minuta.
150°C	Povećava temperaturu kiveta s uzorcima na 150°C, na 30, 60 ili 120 minuta.
165°C	Povećava temperaturu kiveta s uzorcima na 165°C, na 30, 60 ili 120 minuta.

### Korisnički programi

LT 200 ima šest korisnički konfiguriranih temperaturnih programa (PRG1–PRG6). DRB 200 ima tri korisnički konfigurirana temperaturna programa (PRG1–PRG3).

Za konfiguriranje korisničkog temperaturnog programa:

1. Pomoću tipki odaberite korisnički temperaturni program.
2. Za otvaranje načina rada za programiranje pritisnite **Prog**.
3. Odaberite 4 znaka za naziv programa. Za promjenu znaka pritisnite tipku uljevo. Za premještanje pokazivača na sljedeći položaj pritisnite tipku sa strelicom udesno. Za spremanje promjene pritisnite **OK**.
4. Za postavljanje temperature pritisnite ili držite pritisnutima tipke sa strelicama prema gore/dolje (37 do 150°C). Za spremanje promjene pritisnite **OK**.
5. Za postavljanje vremena pritisnite ili držite pritisnutima tipke sa strelicama prema gore/dolje (0 do 480 minuta). Za spremanje promjene pritisnite **OK**.
6. Za spremanje programa pritisnite **OK**.

## Održavanje

### ▲ OPREZ



Višestruka opasnost. Zadatke opisane u ovom odjeljku priručnika treba obavljati isključivo kvalificirano osoblje.

### OBAVIJEST

Ne rastavljajte instrument radi održavanja. U slučaju potrebe za čišćenjem ili popravkom internih dijelova, obratite se proizvođaču.

## Čišćenje instrumenta

Instrument održavajte čistim kako biste omogućili njegov dugotrajan i precizan rad.

### ▲ OPREZ



Opasnost od požara. Za čišćenje instrumenta nemojte koristiti zapaljive tvari.

### ▲ OPREZ



Opasnost od opekline. Instrument nemojte čistiti dok je vruć.

### OBAVIJEST

Kako biste spriječili oštećenja, za čišćenje instrumenta i zaslona nemojte koristiti sredstva za čišćenje kao što su terpentini, aceton ili slični proizvodi.

1. Isključite instrument i iskopčajte kabel napajanja.
2. Nakon što se instrument ohladi, očistite njegovu površinu mekom, vlažnom krpom i blagom otopinom sapuna. U instrument ne smije ući voda.

Ako se iz kivete s uzorkom prolje tekućina ili se kiveta s uzorkom razbije:

1. Isključite instrument i iskopčajte kabel napajanja.

2. Pričekajte dok se temperatura grijaćih blokova i kiveta s uzorcima ne spusti.
3. Tekućinu uklonite pomoću pipete. Nemojte dopustiti da tekućina dođe u doticaj s kožom.
4. Tekućinu premjestite u odgovarajuće odlagalište.
5. Slomljeno staklo uklonite pomoću pincete. Uklonite tekućinu koja je preostala na instrumentu. Nemojte dopustiti da tekućina dođe u doticaj s kožom.

## Mjerenje temperature grijaćeg bloka

Izmjerite temperaturu grijaćeg bloka kako biste se uvjerali da je temperatura prikazana na zaslonu točna.

Temperatura prikazana na zaslonu temperatura je u zatvorenoj kiveti ispunjenoj tekućinom. Dok se temperatura grijaćeg bloka povećava, temperatura grijaćeg bloka u blizini grijača mogla bi biti veća od temperature prikazane na zaslonu.

Potrebni alati:

- Kiveta s uzorkom (LT 200: LCW906, DRB 200: 2275800)
- Glicerol (anhidrirani), 5 mL
- Termometar, štapni, kalibriran za 95 do 155°C, vrsta 67C do ASTM

Za mjerenje temperature grijaćeg bloka:

1. Ispunite čistu, praznu kivetu s uzorkom glicerola sobne temperature.
2. Termometar spustite u kivetu s uzorkom tako da dotakne dno kivete.
3. LT 200: razina glicerola mora iznositi 62 mm ± 0,5 mm (2,44 in ± 0,02 in) od dna kivete s uzorkom dok je termometar uronjen u kivetu.
4. DRB 200: razina glicerola mora iznositi 56 mm ± 0,5 mm (2,20 in ± 0,02 in) od dna kivete s uzorkom dok je termometar uronjen u kivetu.
5. Kivetu s uzorkom postavite u središnji otvor u drugom redu grijaćeg bloka.

- Pomoću tipki pokrenite temperaturni program od 100°C na 60 minuta, a zatim pritisnite **OK**.
- Kada grijači blok postigne odabranu temperaturu (začut će se dva zvučna signala), temperatura termometra trebala bi biti identična onoj koja je prikazana na zaslonu.

## Rješavanje problema

Poruke o pogreškama, moguće uzroke i korektivne radnje potražite u [Tablica 5](#).

**Tablica 5 Poruke o pogreškama**

Pogreška	Rješenje
BLOCK IS TOO HOT! PLEASE WAIT (BLOK JE PREVIŠE VRUĆ! PRIČEKAJTE)	Temperatura grijaćeg bloka veća je od odabrane temperature. Pričekajte dok se temperatura grijaćeg bloka ne smanji.
INIT ERROR (POGREŠKA KOD POKRETANJA)	Instrument je oštećen. Obratite se u servisni odjel.

## Zamjenski dijelovi i dodatna oprema

### ⚠ UPOZORENJE



Opasnost od ozljede. Korištenje neodobrenih dijelova može uzrokovati osobne ozljede, oštećenje instrumenta ili neispravno funkcioniranje opreme. Proizvođač je odobrio upotrebu rezervnih dijelova navedenih u ovom odjeljku.

**Napomena:** Brojevi proizvoda i artikla mogu varirati za neke regije prodaje. Obratite se odgovarajućem distributeru ili pogledajte web stranicu tvrtke za kontaktne podatke.

### Zamjenski dijelovi

Opis	Količina	Broj proizvoda
Zaštitni poklopac	1	LZT048

### Dodatna oprema – DRB 200

Opis	Količina	Broj proizvoda
Redukcijski adapter, 20 > 16 mm	1	HHA155
Redukcijski adapter, 16 > 13 mm	1	2895805
Cijev, 16 x 100 mm	1	2275800
Cijev, 16 x 100 mm	6	2275806
Termometar, 0 do 200°C	1	4565500



## Πίνακας περιεχομένων

Προδιαγραφές στη σελίδα 217	Λειτουργία στη σελίδα 223
Γενικές πληροφορίες στη σελίδα 217	Συντήρηση στη σελίδα 225
Εγκατάσταση στη σελίδα 219	Αντιμέτωπιση προβλημάτων στη σελίδα 226
Διεπαφή και πλοήγηση χρήστη στη σελίδα 221	Ανταλλακτικά και εξαρτήματα στη σελίδα 227
Εκκίνηση στη σελίδα 222	

## Προδιαγραφές

Οι προδιαγραφές ενδέχεται να αλλάξουν χωρίς προειδοποίηση.

Προδιαγραφή	Λεπτομέρειες
Διαστάσεις	25 x 14,5 x 31 cm (9,8 x 5,7 x 12,2 in.)
Βάρος	Μονό θερμαντικό μπλοκ: 2 kg (4,4 lb) Διπλό θερμαντικό μπλοκ: 2,8 kg (6,17 lb)
Απαιτήσεις τροφοδοσίας	100/240 V, +5%/-15%, 50/60 Hz, Κατηγορία προστασίας I
Είσοδος ρεύματος	Μονό θερμαντικό μπλοκ: 115 V: 300 VA, 230 V: 450 VA Διπλό θερμαντικό μπλοκ: 115 V: 600 VA, 230 V: 900 VA
Θερμοκρασία αποθήκευσης	-40 έως +60 °C
Θερμοκρασία λειτουργίας	10 έως 45 °C
Υγρασία λειτουργίας	90% (χωρίς συμπύκνωση)
Εύρος θερμοκρασιών	LT 200: 37 έως 150 °C (98,6 έως 302 °F) DRB 200: 37 έως 165 °C (98,6 έως 329 °F)
	Χρονόμετρο: 0 έως 480 λεπτά

Προδιαγραφή	Λεπτομέρειες
Σταθερότητα θερμοκρασίας	LT 200: $\pm 1$ °C ( $\pm 2$ °F) DRB 200: $\pm 2$ °C ( $\pm 3,5$ °F)
Ρυθμός θέρμανσης	LT 200: Από 20 έως 148 °C (68 έως 298 °F) σε 10 λεπτά (κατά DIN 38409-44) DRB 200: Από 20 έως 150 °C (68 έως 302 °F) σε 10 λεπτά
Πιστοποίηση	CE και cTUVus

## Γενικές πληροφορίες

Σε καμία περίπτωση ο κατασκευαστής δεν είναι υπεύθυνος για άμεσες, έμμεσες, ειδικές, τυχαίες ή παρεπόμενες ζημιές που προκύπτουν από οποιοδήποτε ελάττωμα ή παράλειψη του παρόντος εγχειριδίου. Ο κατασκευαστής διατηρεί το δικαίωμα να πραγματοποιήσει αλλαγές στο παρόν εγχειρίδιο και στα προϊόντα που περιγράφει ανά στιγμή, χωρίς ειδοποίηση ή υποχρέωση. Αναθεωρημένες εκδόσεις διατίθενται από τον ιστόχωρο του κατασκευαστή.

## Πληροφορίες σχετικά με την ασφάλεια

### ΕΙΔΟΠΟΙΗΣΗ

Ο κατασκευαστής δεν φέρει ευθύνη για τυχόν ζημιές εξαιτίας της λανθασμένης εφαρμογής ή χρήσης του παρόντος προϊόντος, συμπεριλαμβανομένων, χωρίς περιορισμό, των άμεσων, συμπτωματικών και παρεπόμενων ζημιών, και αποποιείται τη ευθύνη για τέτοιες ζημιές στο μέγιστο βαθμό που επιτρέπει το εφαρμοστέο δίκαιο. Ο χρήστης είναι αποκλειστικά υπεύθυνος για την αναγνώριση των σημαντικών κινδύνων εφαρμογής και την εγκατάσταση των κατάλληλων μηχανισμών για την προστασία των διαδικασιών κατά τη διάρκεια μιας πιθανής δυσλειτουργίας του εξοπλισμού.

Παρακαλούμε διαβάστε ολόκληρο αυτό το εγχειρίδιο προτού αποσυνδεθείτε, εγκαταστήσετε ή λειτουργήσετε αυτόν τον εξοπλισμό. Προσέξτε όλες τις υποδείξεις κινδύνου και προσοχής. Η παράλειψη μπορεί να οδηγήσει σε σοβαρούς τραυματισμούς του χειριστή ή σε ζημιές της συσκευής.

Διασφαλίστε ότι δεν θα προκληθεί καμία βλάβη στις διατάξεις προστασίας αυτού του εξοπλισμού. Μην χρησιμοποιείτε και μην

εγκαθιστάτε τον συγκεκριμένο εξοπλισμό με κανέναν άλλον τρόπο, εκτός από αυτούς που προσδιορίζονται στο παρόν εγχειρίδιο.

## Χρήση των πληροφοριών προειδοποίησης κινδύνου

### ▲ ΚΙΝΔΥΝΟΣ

Υποδεικνύει κάποια ενδεχόμενη ή επικείμενη επικίνδυνη κατάσταση, η οποία, εάν δεν αποτραπεί, θα οδηγήσει σε θάνατο ή σοβαρό τραυματισμό.

### ▲ ΠΡΟΕΙΔΟΠΟΙΗΣΗ

Υποδεικνύει ενδεχόμενη ή επικείμενη επικίνδυνη κατάσταση, η οποία, αν δεν αποτραπεί, θα μπορούσε να προκαλέσει θάνατο ή σοβαρό τραυματισμό.

### ▲ ΠΡΟΣΟΧΗ

Υποδεικνύει κάποια ενδεχόμενη επικίνδυνη κατάσταση, η οποία μπορεί να καταλήξει σε ελαφρό ή μέτριο τραυματισμό.

### ΕΙΔΟΠΟΙΗΣΗ

Υποδεικνύει κατάσταση που, εάν δεν αποτραπεί, μπορεί να προκληθεί βλάβη στο όργανο. Πληροφορίες που απαιτούν ειδική έμφαση.

## Ετικέτες προφύλαξης

Διαβάστε όλες τις ετικέτες και τις σημάνσεις που είναι επικολλημένες στο όργανο. Εάν δεν τηρήσετε τις οδηγίες, ενδέχεται να προκληθεί τραυματισμός ή ζημιά στο όργανο. Ένα σύμβολο, εφόσον υπάρχει στο όργανο, θα συμπεριλαμβάνεται στο εγχειρίδιο με μια υπόδειξη κινδύνου ή προσοχής.



Το σύμβολο αυτό, εάν υπάρχει επάνω στο όργανο, παραπέμπει σε πληροφορίες σχετικά με την ασφάλεια ή/και το χειρισμό, στο εγχειρίδιο λειτουργίας.



Αν ο ηλεκτρικός εξοπλισμός φέρει το σύμβολο αυτό, δεν επιτρέπεται η απόρριψή του σε ευρωπαϊκά οικιακά και δημόσια συστήματα συλλογής απορριμμάτων. Μπορείτε να επιστρέψετε παλαιό εξοπλισμό ή εξοπλισμό του οποίου η ωφέλιμη διάρκεια ζωής έχει παρέλθει στον κατασκευαστή για απόρριψη, χωρίς χρέωση για το χρήστη.



Το σύμβολο αυτό υποδεικνύει ότι το επισήμασμένο αντικείμενο ενδέχεται να είναι πολύ ζεστό και ότι ο χρήστης πρέπει να το αγγίζει με προσοχή.



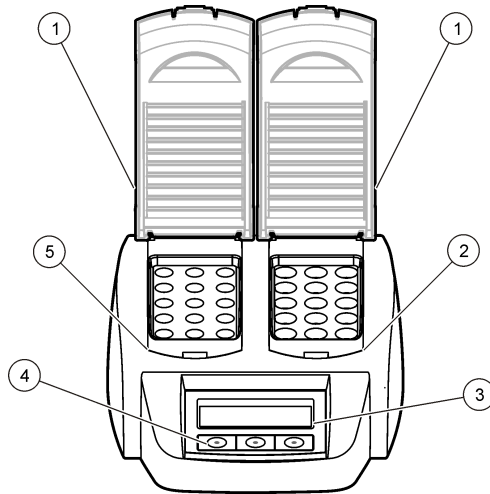
Το σύμβολο αυτό υποδεικνύει ότι το επισήμασμένο αντικείμενο χρειάζεται προστατευτική σύνδεση γείωσης. Εάν το όργανο δεν παρέχεται με βύσμα γείωσης πάνω στο καλώδιο, πραγματοποιήστε την προστατευτική σύνδεση γείωσης στον προστατευτικό ακροδέκτη γείωσης.

## Επισκόπηση προϊόντος

Το όργανο αυτό διαθέτει ένα ή δύο θερμομανόμετρα μπλοκ τα οποία αυξάνουν τη θερμοκρασία των διαλυμάτων που περιέχονται σε στρογγυλές κυψελίδες δείγματος έως μια καθορισμένη τιμή, για συγκεκριμένο χρονικό διάστημα (Εικόνα 1).

Το LT 200 διαθέτει τρία αποθηκευμένα προγράμματα θερμοκρασίας και έξι προγράμματα θερμοκρασίας τα οποία διαμορφώνει και αποθηκεύει ο χρήστης. Το DRB 200 διαθέτει έξι αποθηκευμένα προγράμματα θερμοκρασίας και τρία προγράμματα θερμοκρασίας τα οποία διαμορφώνει και αποθηκεύει ο χρήστης.

Εικόνα 1 Πρόσωση



## Εγκατάσταση

### Τοποθέτηση των προστατευτικών καλυμμάτων

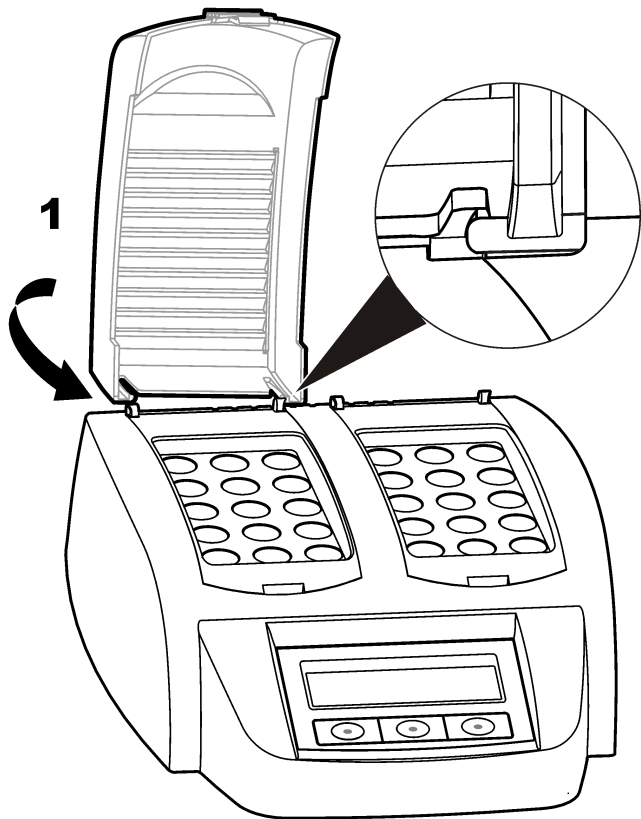
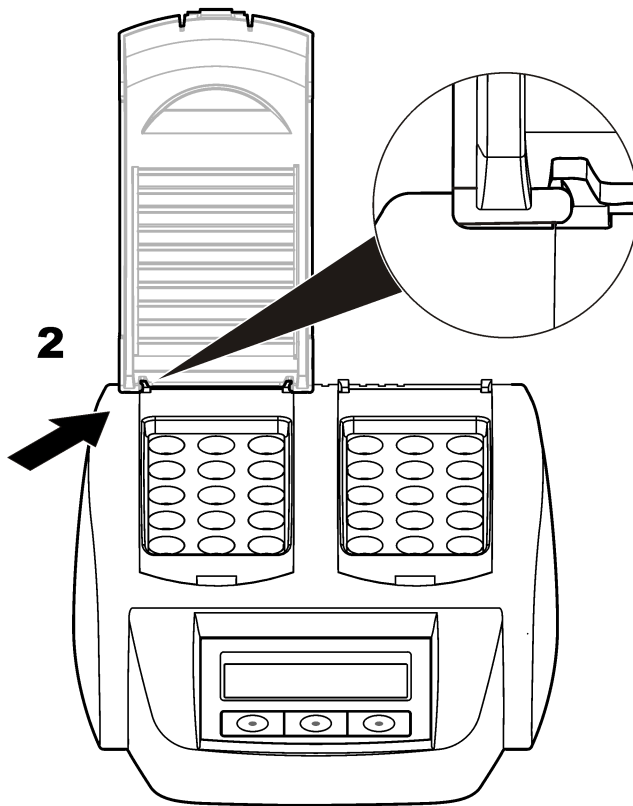
#### ⚠ ΠΡΟΕΙΔΟΠΟΙΗΣΗ



Κίνδυνος ηλεκτροπληξίας και εγκαύματος. Το προστατευτικό κάλυμμα πρέπει να είναι τοποθετημένο για την αποφυγή τραυματισμών. Το προστατευτικό κάλυμμα αποτρέπει την πρόκληση εγκαυμάτων και εμποδίζει την επαφή του καλωδίου τροφοδοσίας με το θερμαντικό μπλοκ.

Ανατρέξτε στις εικόνες βημάτων που ακολουθούν.

1 Προστατευτικό κάλυμμα	3 Οθόνη	5 Αριστερό θερμαντικό μπλοκ
2 Δεξί θερμαντικό μπλοκ	4 Πλήκτρα	

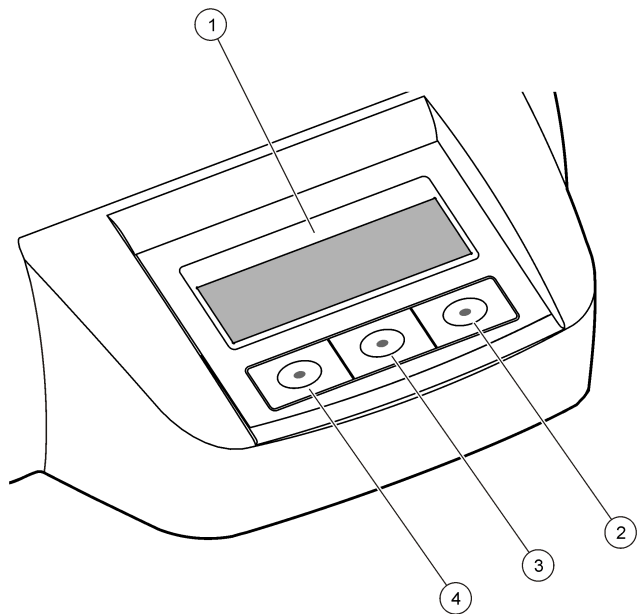
**1****2**

## Διεπαφή και πλοήγηση χρήστη

### Διεπαφή χειριστή

Ο χειρισμός του οργάνου γίνεται μέσω των τριών πλήκτρων που βρίσκονται κάτω από την οθόνη (Εικόνα 2). Η λειτουργία κάθε πλήκτρου εμφανίζεται στην οθόνη. Εάν δεν εμφανίζεται η λειτουργία ενός πλήκτρου, αυτό σημαίνει ότι το συγκεκριμένο πλήκτρο δεν είναι ενεργό.

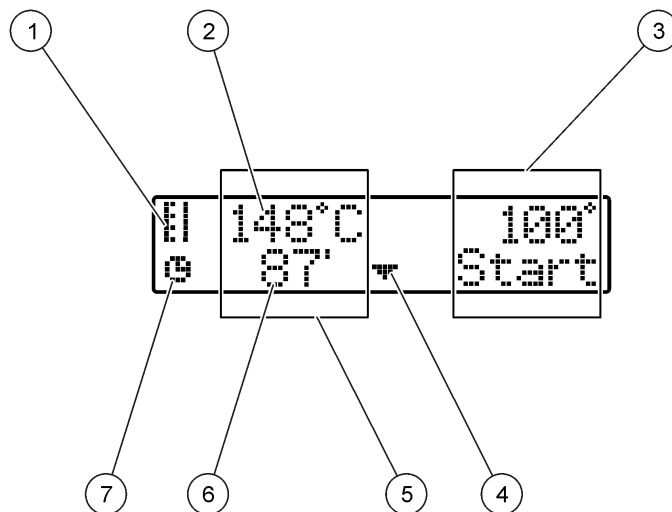
Εικόνα 2 Περιγραφή πληκτρολογίου



1 Οθόνη	3 Μεσαίο πλήκτρο
2 Δεξί πλήκτρο	4 Αριστερό πλήκτρο


## Περιγραφή οθόνης

Εικόνα 3 Προβολή της οθόνης όταν ένα πρόγραμμα είναι ενεργό μόνο στο αριστερό θερμομαντικό μπλοκ



1 Σύμβολο θερμομέτρου	5 Αριστερό θερμομαντικό μπλοκ
2 Θερμοκρασία θερμομαντικού μπλοκ	6 Υπολειπόμενος χρόνος
3 Δεξί θερμομαντικό μπλοκ	7 Σύμβολο χρονόμετρου
4 Πλήκτρο κάτω βέλους (χρησιμοποιείται για την επιλογή προγράμματος)	

**Πίνακας 1 Σύμβολα θερμομέτρου**

Σύμβολο	Περιγραφή
	Η θερμοκρασία του θερμαντικού μπλοκ αυξάνεται.
	Το θερμαντικό μπλοκ βρίσκεται στην επιλεγμένη θερμοκρασία.
	Η θερμοκρασία του θερμαντικού μπλοκ μειώνεται.

## Εκκίνηση

### Ενεργοποίηση της συσκευής

#### ΕΙΔΟΠΟΙΗΣΗ

Μην απενεργοποιείτε και ενεργοποιείτε ξανά το όργανο γρήγορα, καθώς μπορεί να προκληθεί βλάβη. Περιμένετε πάντοτε περίπου 20 δευτερόλεπτα πριν ενεργοποιήσετε ξανά το όργανο.

1. Τοποθετήστε το όργανο σε μια σταθερή, επίπεδη και ανθεκτική στις υψηλές θερμοκρασίες επιφάνεια.
2. Συνδέστε το καλώδιο τροφοδοσίας στην υποδοχή στο πίσω μέρος του οργάνου.
3. Συνδέστε το καλώδιο τροφοδοσίας σε μια πρίζα με γείωση.
4. Πατήστε το διακόπτη λειτουργίας στο πίσω μέρος του οργάνου για να ενεργοποιήσετε το όργανο.

Την πρώτη φορά που τίθεται σε λειτουργία το όργανο, εμφανίζεται η οθόνη επιλογής γλώσσας. Ανατρέξτε στο κεφάλαιο [Επιλογή γλώσσας](#) στη σελίδα 222.

## Επιλογή γλώσσας

1. Κρατήστε πατημένο το αριστερό πλήκτρο και ενεργοποιήστε το όργανο.
2. Πατήστε το πλήκτρο δεξιού βέλους για να μετακινηθείτε στο μενού. Όταν φτάνετε στο τέλος του μενού, η οθόνη εμφανίζει ξανά την αρχή του μενού.
3. Όταν εμφανιστεί η σωστή γλώσσα, πατήστε το πλήκτρο για τη γλώσσα. Ανατρέξτε στο κεφάλαιο [Πίνακας 2](#).



**Πίνακας 2 Ρυθμίσεις γλώσσας**

Ρύθμιση	Language (Γλώσσα)	Ρύθμιση	Language (Γλώσσα)
GB	Αγγλικά	E	Ισπανικά
D	Γερμανικά	NL	Ολλανδικά
F	Γαλλικά	S	Σουηδικά
I	Ιταλικά	PL	Πολωνικά


## Ρύθμιση της αντίθεσης οθόνης


1. Κρατήστε πατημένο το μεσαίο πλήκτρο και ενεργοποιήστε το όργανο.
2. Πατήστε ή κρατήστε πατημένα τα πλήκτρα άνω και κάτω βέλους, για να αλλάξετε την τιμή της αντίθεσης.
3. Πατήστε **OK** για να αποθηκεύσετε την αλλαγή.


## Λειτουργία


▲ ΚΙΝΔΥΝΟΣ	
 	Κίνδυνος έκθεσης σε χημικά. Τηρείτε τις εργαστηριακές διαδικασίες ασφάλειας και φοράτε όλα τα μέσα ατομικής προστασίας που είναι κατάλληλα για τα χημικά που χειρίζεστε. Ανατρέξτε στα υπάρχοντα φύλλα δεδομένων ασφάλειας υλικού (MSDS/SDS) για τα πρωτόκολλα ασφάλειας.

## Λειτουργία ρουτίνας

▲ ΠΡΟΣΟΧΗ	
	Κίνδυνος εγκαύματος. Μην βάζετε τα δάκτυλά σας στα ανοίγματα του θερμαντικού μπλοκ. Κλείνετε το προστατευτικό κάλυμμα πριν από την αύξηση της θερμοκρασίας του θερμαντικού μπλοκ και διατηρείτε πάντα το προστατευτικό κάλυμμα κλειστό κατά τη λειτουργία του οργάνου.

▲ ΠΡΟΣΟΧΗ	
	Κίνδυνος εγκαύματος. Η θερμοκρασία των κυψελίδων δείγματος είναι υψηλή. Χρησιμοποιείτε εξοπλισμό από θερμομονωτικά υλικά (π.χ. γάντια ή καλύπτρες δακτύλων). Μην αφαιρείτε μια κυψελίδα δείγματος με θερμοκρασία άνω των 80 °C. Μην τοποθετείτε μια κυψελίδα δείγματος με θερμοκρασία άνω των 80 °C σε ένα χρωματόμετρο.

▲ ΠΡΟΣΟΧΗ	
	Χημικός κίνδυνος. Εάν σπάσει μια κυψελίδα δείγματος, αποφύγετε την επαφή του υγρού με το δέρμα σας. Χρησιμοποιείτε απαγωγό αερίων, αν είναι απαραίτητο, για την απομάκρυνση των αναθυμιάσεων από τα χημικά.

▲ ΠΡΟΣΟΧΗ	
	Κίνδυνος έκθεσης σε χημικά. Απορρίπτετε τα χημικά και τα απόβλητα σύμφωνα με τους τοπικούς, περιφερειακούς και εθνικούς κανονισμούς.

## ΕΙΔΟΠΟΙΗΣΗ

Διατηρείτε στεγνά τα ανοίγματα του θερμαντικού μπλοκ για την αποφυγή πρόκλησης βλάβης στις κυψελίδες δείγματος και στο όργανο. Στεγνώστε πλήρως το εξωτερικό μέρος των κυψελίδων δείγματος.

## ΕΙΔΟΠΟΙΗΣΗ

Σε περίπτωση που χυθεί κατά λάθος πάνω στο όργανο κάποιο υγρό ή σπάσει μια κυψελίδα δείγματος, αποσυνδέστε αμέσως το όργανο από την τροφοδοσία ρεύματος και, στη συνέχεια, καθαρίστε το για την αποφυγή πρόκλησης βλάβης. Ανατρέξτε στο κεφάλαιο [Καθαρισμός του οργάνου](#) στη σελίδα 225.

## ΕΙΔΟΠΟΙΗΣΗ

Μην καλύπτετε τις σχισμές αερισμού του προστατευτικού καλύμματος. Η θερμοκρασία του οργάνου και των κυψελίδων δείγματος ενδέχεται να αυξηθεί υπερβολικά, με αποτέλεσμα να επηρεαστεί η ακρίβεια της μέτρησης.

1. Προετοιμάστε τις κυψελίδες δείγματος του τεστ όπως υποδεικνύεται στη διαδικασία ανάλυσης.
2. Κλείστε τις κυψελίδες δείγματος με το καπάκι.
3. Στεγνώστε πλήρως το εξωτερικό μέρος των κυψελίδων δείγματος.
4. Θέστε το όργανο σε λειτουργία και ανοίξτε το προστατευτικό κάλυμμα. Η οθόνη εμφανίζει τα τελευταία επιλεγμένα προγράμματα θερμοκρασίας.
5. Εάν χρησιμοποιείτε σωλήνες των 16 mm με ένα θερμαντικό μπλοκ το οποίο διαθέτει ανοίγματα των 20 mm, τοποθετήστε προσαρμογείς μείωσης στα ανοίγματα.
6. LT 200: Τοποθετήστε τις κυψελίδες δείγματος του τεστ στο κατάλληλο θερμαντικό μπλοκ και κλείστε το προστατευτικό κάλυμμα.
7. Χρησιμοποιήστε τα πλήκτρα για να επιλέξετε το κατάλληλο πρόγραμμα θερμοκρασίας (και την περίοδο χώνευσης, εάν ισχύει) και, στη συνέχεια, πατήστε **Start** (Έναρξη). Ανατρέξτε στο κεφάλαιο [Αποθηκευμένα προγράμματα](#) στη σελίδα 224. Όταν υπάρχουν δύο θερμαντικά μπλοκ, η επιλογή του προγράμματος θερμοκρασίας γίνεται ξεχωριστά για κάθε μπλοκ.

**Σημείωση:** Για να διακόψετε ένα πρόγραμμα, πατήστε το πλήκτρο κάτω από το πρόγραμμα δύο φορές.

LT 200: Ξεκινά το πρόγραμμα χώνευσης. Όταν η θερμοκρασία του θερμαντικού μπλοκ αυξηθεί και φτάσει στην επιλεγμένη τιμή, τότε το

χρονόμετρο αρχίζει αυτόματα να μετράει αντίστροφα μέχρι το μηδέν (0). Όταν το πρόγραμμα χώνευσης ολοκληρωθεί, ακούγονται τρία ηχητικά σήματα και ο θερμοαντήρας απενεργοποιείται.

DRB 200: Η θερμοκρασία του θερμαντικού μπλοκ αυξάνεται έως την επιλεγμένη θερμοκρασία.

8. DRB 200: Όταν το θερμαντικό μπλοκ φτάσει στην επιλεγμένη θερμοκρασία (ακούγονται δύο ηχητικά σήματα), τοποθετήστε τις κυψελίδες δείγματος του τεστ στο κατάλληλο θερμαντικό μπλοκ και κλείστε το προστατευτικό κάλυμμα. Πατήστε **Start** (Έναρξη) για να ξεκινήσει το πρόγραμμα χώνευσης.

Όταν το πρόγραμμα χώνευσης ολοκληρωθεί, ακούγονται τρία ηχητικά σήματα και ο θερμοαντήρας απενεργοποιείται.

### Αποθηκευμένα προγράμματα

Στην επιλογή **Πίνακας 3** παρέχονται περιγραφές των αποθηκευμένων προγραμμάτων θερμοκρασίας για το LT 200. Στην επιλογή **Πίνακας 4** παρέχονται περιγραφές των αποθηκευμένων προγραμμάτων θερμοκρασίας για το DRB 200.

**Πίνακας 3 Αποθηκευμένα προγράμματα—LT 200**

Πρόγραμμα	Περιγραφή
COD	Αυξάνει τη θερμοκρασία των κυψελίδων δείγματος στους 148 °C για 120 λεπτά. Στο στάδιο μείωσης της θερμοκρασίας, ακούγονται τέσσερις ήχοι "μπιπ" όταν οι κυψελίδες δείγματος φτάνουν στους 80 °C. Αφαιρέστε και αναστρέψτε προσεκτικά τις κυψελίδες δείγματος αρκετές φορές, προτού τις τοποθετήσετε σε ένα στατώ για να κρυώσουν.  Το πρόγραμμα θερμοκρασίας COD μπορεί να χρησιμοποιηθεί για όλα τα τεστ κυψελίδων δείγματος COD.
100 °C	Αυξάνει τη θερμοκρασία των κυψελίδων δείγματος στους 100 °C για 10, 60 ή 120 λεπτά.  Για παράδειγμα το πρόγραμμα θερμοκρασίας "100 °C, 60 minutes" (100 °C, 60 λεπτά) χρησιμοποιείται για: <ul style="list-style-type: none"><li>• Προσδιορισμό φωσφορικών και χρωμίου</li><li>• Χώνευση βαρέων μετάλλων</li><li>• Χώνευση δειγμάτων μέσω LCW 902 Crack Set</li></ul>
40 °C	Αυξάνει τη θερμοκρασία των κυψελίδων δείγματος στους 40 °C για 10 λεπτά.  Για παράδειγμα, το πρόγραμμα θερμοκρασίας "40 °C, 10 minutes" (40 °C, 10 λεπτά) χρησιμοποιείται για τεστ φορμαλδεΰδης ή για τεστ ενζυματικής αλλοίωσης τροφίμων.

**Πίνακας 4 Αποθηκευμένα προγράμματα—DRB 200**

Πρόγραμμα	Περιγραφή
COD	Αυξάνει τη θερμοκρασία των κυψελίδων δείγματος στους 150 °C για 120 λεπτά. Στο στάδιο μείωσης της θερμοκρασίας, ακούγονται τέσσερα ηχητικά σήματα όταν οι κυψελίδες δείγματος φτάνουν στους 120 °C. Αφαιρέστε και αναστρέψτε προσεκτικά τις κυψελίδες δείγματος αρκετές φορές, προτού τις αφήσετε σε ένα στατώ για να κρυώσουν.
TOC	Αυξάνει τη θερμοκρασία των κυψελίδων δείγματος στους 105 °C για 120 λεπτά. Το πρόγραμμα θερμοκρασίας TOC μπορεί να χρησιμοποιηθεί για όλα τα τεστ κυψελίδων δείγματος TOC της Hach.



**Πίνακας 4 Αποθηκευμένα προγράμματα—DRB 200 (συνέχεια)**

Πρόγραμμα	Περιγραφή
100 °C	Αυξάνει τη θερμοκρασία των κυψελίδων δείγματος στους 100 °C για 30, 60 ή 120 λεπτά. Για παράδειγμα το πρόγραμμα θερμοκρασίας "100 °C, 60 minutes" (100 °C, 60 λεπτά) χρησιμοποιείται για: <ul style="list-style-type: none"> <li>• Χώνευση δειγμάτων μέσω Metals Prep Set</li> <li>• Προσδιορισμό φωσφορικών και χρωμίου</li> <li>• Χώνευση βαρέων μετάλλων</li> </ul>
105 °C	Αυξάνει τη θερμοκρασία των κυψελίδων δείγματος στους 105 °C για 30, 60 ή 120 λεπτά.
150 °C	Αυξάνει τη θερμοκρασία των κυψελίδων δείγματος στους 150 °C για 30, 60 ή 120 λεπτά.
165 °C	Αυξάνει τη θερμοκρασία των κυψελίδων δείγματος στους 165 °C για 30, 60 ή 120 λεπτά.

## Προγράμματα χρήση

Το LT 200 διαθέτει έξι προγράμματα θερμοκρασίας που διαμορφώνονται από τον χρήστη (PRG1–PRG6). Το DRB 200 διαθέτει τρία προγράμματα θερμοκρασίας που διαμορφώνονται από τον χρήστη (PRG1–PRG3).

Για να διαμορφώσετε ένα πρόγραμμα θερμοκρασίας χρήστη:

1. Χρησιμοποιήστε τα πλήκτρα για να επιλέξετε ένα πρόγραμμα θερμοκρασίας χειριστή.
2. Πατήστε **Prog** (Πρόγρ.) για να μεταβείτε στη λειτουργία προγραμματισμού.
3. Επιλέξτε ένα όνομα με 4 χαρακτήρες για το πρόγραμμα. Πατήστε το αριστερό πλήκτρο για να αλλάξετε το χαρακτήρα. Πατήστε το πλήκτρο δεξιού βέλους για να μετακινήσετε το δρομέα στην επόμενη θέση. Πατήστε **OK** για να αποθηκεύσετε την αλλαγή.
4. Πατήστε ή κρατήστε πατημένα τα πλήκτρα άνω και κάτω βέλους για να ρυθμίσετε τη θερμοκρασία (37 έως 150 °C). Πατήστε **OK** για να αποθηκεύσετε την αλλαγή.

5. Πατήστε ή κρατήστε πατημένα τα πλήκτρα άνω και κάτω βέλους για να ρυθμίσετε το χρόνο (0 έως 480 λεπτά). Πατήστε **OK** για να αποθηκεύσετε την αλλαγή.
6. Πατήστε **OK** για να αποθηκεύσετε το πρόγραμμα.

## Συντήρηση

### ▲ ΠΡΟΣΟΧΗ



Πολλαπλοί κίνδυνοι. Μόνο ειδικευμένο προσωπικό πρέπει να εκτελεί τις εργασίες που περιγράφονται σε αυτήν την ενότητα του εγχειριδίου.

### ΕΙΔΟΠΟΙΗΣΗ

Μην αποσυναρμολογείτε τη συσκευή για συντήρηση. Εάν πρέπει να καθαριστούν ή να επισκευαστούν τα εσωτερικά εξαρτήματα, επικοινωνήστε με τον κατασκευαστή.

## Καθαρισμός του οργάνου

Διατηρείτε το όργανο καθαρό για συνεχή και ακριβή λειτουργία.

### ▲ ΠΡΟΣΟΧΗ



Κίνδυνος πυρκαγιάς. Μην χρησιμοποιείτε εύφλεκτες ουσίες για τον καθαρισμό του οργάνου.

### ▲ ΠΡΟΣΟΧΗ



Κίνδυνος εγκαύματος. Μην καθαρίζετε το όργανο όταν η θερμοκρασία του είναι υψηλή.

### ΕΙΔΟΠΟΙΗΣΗ

Για να αποτρέψετε την πρόκληση βλάβης στο όργανο, μην χρησιμοποιείτε καθαριστικά όπως διαλυτικό (νέφτι), ακετόνη ή παρόμοια προϊόντα για τον καθαρισμό του οργάνου και της κθόνης.

1. Απενεργοποιήστε το όργανο και αποσυνδέστε το καλώδιο τροφοδοσίας.
2. Όταν το όργανο κρυώσει, καθαρίστε την επιφάνειά του με ένα μαλακό, νωπό πανί και αραιό διάλυμα σαπουνιού. Βεβαιωθείτε ότι δεν θα εισχωρήσει νερό στο όργανο.

Εάν χυθεί το υγρό που περιέχει μια κυψελίδα δείγματος ή εάν σπάσει μια κυψελίδα δείγματος:

1. Απενεργοποιήστε το όργανο και αποσυνδέστε το καλώδιο τροφοδοσίας.
2. Αφήστε τα θερμαντικά μπλοκ και τις κυψελίδες δείγματος να κρυώσουν.
3. Αφαιρέστε το υγρό με μια πιπέτα. Αποφύγετε την επαφή του υγρού με το δέρμα.
4. Απορρίψτε το υγρό με τον κατάλληλο τρόπο.
5. Απομακρύνετε το σπασμένο γυαλί χρησιμοποιώντας λαβίδα. Απομακρύνετε τυχόν υγρό που έχει μείνει στο όργανο. Αποφύγετε την επαφή του υγρού με το δέρμα.

## Μέτρηση θερμοκρασίας θερμαντικού μπλοκ

Μετρήστε τη θερμοκρασία του θερμαντικού μπλοκ, για να βεβαιωθείτε ότι η ένδειξη της θερμοκρασίας που εμφανίζεται στην οθόνη είναι σωστή.

Η θερμοκρασία που εμφανίζεται στην οθόνη είναι η θερμοκρασία στο εσωτερικό μιας κλειστής κυψελίδας δείγματος που είναι γεμάτη υγρό. Όταν η θερμοκρασία του θερμαντικού μπλοκ αυξάνεται, η θερμοκρασία του θερμαντικού μπλοκ, κοντά στο θερμοστάτη, ενδέχεται να είναι πιο υψηλή από τη θερμοκρασία που εμφανίζεται στην οθόνη.

Απαιτούμενα εργαλεία:

- Κυψελίδα δείγματος (LT 200: LCW906, DRB 200: 2275800)
- Γλυκερίνη (άνυδρη) 5 mL
- Θερμόμετρο με στέλεχος, βαθμονομημένο για 95 έως 155 °C, τύπος 67C κατά ASTM

Για να μετρήσετε τη θερμοκρασία του θερμαντικού μπλοκ:

1. Γεμίστε μια καθαρή, άδεια κυψελίδα δείγματος με γλυκερίνη σε θερμοκρασία δωματίου.
2. Τοποθετήστε το θερμόμετρο στην κυψελίδα δείγματος έως ότου αυτό αγγίξει τη βάση της κυψελίδας δείγματος.
3. LT 200: Βεβαιωθείτε ότι η στάθμη της γλυκερίνης είναι 62 mm ± 0,5 mm (2,44 in. ± 0,02 in.) από τη βάση της κυψελίδας δείγματος, όταν το θερμόμετρο βρίσκεται μέσα στην κυψελίδα δείγματος.
4. DRB 200: Βεβαιωθείτε ότι η στάθμη της γλυκερίνης είναι 56 mm ± 0,5 mm (2,20 in. ± 0,02 in.) από τη βάση της κυψελίδας δείγματος, όταν το θερμόμετρο βρίσκεται μέσα στην κυψελίδα δείγματος.
5. Τοποθετήστε την κυψελίδα δείγματος στο κεντρικό άνοιγμα στη δεύτερη σειρά του θερμαντικού μπλοκ.
6. Χρησιμοποιήστε τα πλήκτρα για να επιλέξετε ένα πρόγραμμα θερμοκρασίας 100 °C για 60 λεπτά και, στη συνέχεια, πατήστε **OK**.
7. Όταν το θερμαντικό μπλοκ φτάσει στην επιλεγμένη θερμοκρασία (ακούγονται δύο ήχοι "μπιπ"), η θερμοκρασία του θερμομέτρου πρέπει να ισούται με την ένδειξη που εμφανίζεται στην οθόνη.

## Αντιμετώπιση προβλημάτων

Ανατρέξτε στον [Πίνακα 5](#) για μηνύματα σφάλματος, πιθανά αίτια και διορθωτικές ενέργειες.

**Πίνακας 5 Μηνύματα σφάλματος**

Σφάλμα	Λύση
BLOCK IS TOO HOT! PLEASE WAIT (ΠΟΛΥ ΥΨΗΛΗ ΘΕΡΜΟΚΡΑΣΙΑ ΜΠΛΟΚ! ΠΕΡΙΜΕΝΕΤΕ)	Η θερμοκρασία του θερμαντικού μπλοκ είναι υψηλότερη από την επιλεγμένη θερμοκρασία. Περιμένετε έως ότου μειωθεί η θερμοκρασία του θερμαντικού μπλοκ.
INIT ERROR (ΣΦΑΛΜΑ ΠΡΟΕΤ.)	Το όργανο είναι ελαττωματικό. Επικοινωνήστε με το Τμήμα εξυπηρέτησης πελατών.

## Ανταλλακτικά και εξαρτήματα

### ▲ ΠΡΟΕΙΔΟΠΟΙΗΣΗ



Κίνδυνος τραυματισμού. Η χρήση μη εγκεκριμένων εξαρτημάτων ενδέχεται να προκαλέσει τραυματισμό, ζημιά στο όργανο ή δυσλειτουργία του εξοπλισμού. Τα ανταλλακτικά εξαρτήματα της παρούσας ενότητας είναι εγκεκριμένα από τον κατασκευαστή.

**Σημείωση:** Οι κωδικοί προϊόντος και οι αριθμοί καταλόγου μπορεί να διαφέρουν σε ορισμένες περιοχές πώλησης. Επικοινωνήστε με τον κατάλληλο διανομέα ή ανατρέξτε στη δικτυακή τοποθεσία της εταιρείας για τα στοιχεία επικοινωνίας.

### Ανταλλακτικά

Περιγραφή	Ποσότητα	Αρ. προϊόντος
Προστατευτικό κάλυμμα	1	LZT048

### Εξαρτήματα—DRB 200

Περιγραφή	Ποσότητα	Αρ. προϊόντος
Προσαρμογέας μείωσης, 20 > 16 mm	1	HHA155
Προσαρμογέας μείωσης, 16 > 13 mm	1	2895805
Σωλήνας, 16 x 100 mm	1	2275800
Σωλήνας, 16 x 100 mm	6	2275806
Θερμόμετρο εύρους από 0 έως 200 °C	1	4565500

## Sisukord

[Tehnilised andmed](#) leheküljel 228

[Üldteave](#) leheküljel 228

[Paigaldamine](#) leheküljel 230

[Kasutajaliides ja navigeerimine](#)  
leheküljel 232

[Käivitamine](#) leheküljel 233

[Kasutamine](#) leheküljel 233

[Hooldus](#) leheküljel 235

[Veotsing](#) leheküljel 236

[Varuosad ja tarvikud](#) leheküljel 237

## Tehnilised andmed

Tehnilisi andmeid võidakse ette teatamata muuta.

Tehniline näitaja	Üksikasjad
Mõõtmed	25 x 14,5 x 31 cm (9,8 x 5,7 x 12,2 tolli)
Kaal	Ühe kuumutusplokiga: 2 kg (4,4 naela) Kahe kuumutusplokiga: 2,8 kg (6,17 naela)
Nõuded vooluvõrgule	100–240 V, +5%/–15%, 50/60 Hz, kaitseklass I
Võimsustarve	Ühe kuumutusplokiga: 115 V: 300 VA; 230 V: 450 VA Kahe kuumutusplokiga: 115 V: 600 VA; 230 V: 900 VA
Säilitustemperatuur	–40 kuni +60 °C (–40 kuni +140 °F)
Töötemperatuur	10 kuni 45 °C (50 kuni 113 °F)
Tööniiskus	90% (mittekondenseeruv)
Temperatuuripiirkond	LT 200: 37 kuni 150 °C (98.6 kuni 302 °F) DRB 200: 37 kuni 165 °C (98.6 kuni 329 °F) Taimer: 0 kuni 480 minutit
Temperatuuri stabiilsus	LT 200: ± 1 °C (± 2 °F) DRB 200: ± 2 °C (± 3.5 °F)

Tehniline näitaja	Üksikasjad
Kuumutuskiirus	LT 200: 10 minutiga vahemik 20 kuni 148 °C (68 kuni 298 °F) (DIN 38409-44) DRB 200: 10 minutiga vahemik 20 kuni 150 °C (68 kuni 302 °F)
Sertifikaadid	CE ja cTUVus

## Üldteave

Tootja ei ole mingil juhul vastutav otseste, kaudsete, erijuhtudest tingitud, kaasnevate või tulenevate vigastuste eest, mis on tingitud käesoleva kasutusjuhendi vigadest või puudustest. Tootja jätab endale õiguse igal ajal teha käesolevas kasutusjuhendis ja tootes muudatusi, ilma neist teatamata või kohustusi võtmata. Uuendatud väljaanded on kättesaadavad tootja veebilehel.

## Ohutusteave

### TEADE

Tootja ei vastuta mis tahes kahjude eest, mida põhjustab toote vale kasutamine, sealhulgas (kuid mitte ainult) otsesed, juhuslikud ja tegevuse tulemusest tingitud kahjud, ning ütleb sellistest kahjunõuetest lahti kohaldatava seadusega lubatud täielikul määral. Kasutaja vastutab ainuisikuliselt oluliste kasutusohetude tuvastamise ja sobivate kaitsemeetodite rakendamise eest protsesside kaitsemiseks seadme võimaliku rikke puhul.

Palun lugege enne lahtipakkimist, häälestamist või kasutamist läbi kogu käesolev juhend. Järgige kõiki ohutus- ja ettevaatusjuhiseid. Vastasel juhul võib kasutaja saada raskeid kehavigastusi või võib seade vigasta saada.

Tagage, et seadmega tarnitud ohutusseadised ei ole vigastatud. Ärge kasutage või paigaldage seadet mingil muul viisil kui käesolevas kasutusjuhendis kirjeldatud.

## Ohutusteabe kasutamine

### ⚠ OHT

Näitab võimalikku või vahetult ohtlikku olukorda, mis selle eiramisel põhjustab surma või raskeid vigastusi.

## ▲ HOIATUS

Näitab võimalikku või vahetult ohtlikku olukorda, mis selle eiramisel võib põhjustada surma või raskeid vigastusi.

## ▲ ETTEVAATUST





Näitab võimalikku ohtlikku olukorda, mis selle eiramisel võib põhjustada kergeid või keskmisi vigastusi.

## TEADE

Tähistab olukorda, mis selle eiramisel võib seadet kahjustada. Eriti tähtis teave.

### Hoiatussildid

Lugege läbi kõik seadmele kinnitatud sildid ja märgised. Juhiste eiramise korral võite saada kehavigastusi või võib seade kahjustada saada. Seadmel asuvatele sümbolitele on kasutusjuhendis lisajuhised, mis viitavad ohutus- või ettevaatusmeetmetele.

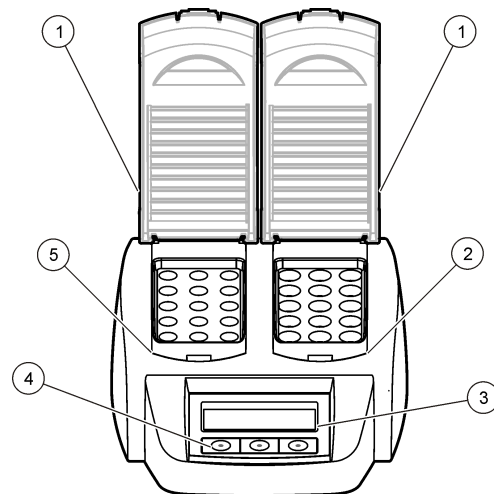
	See mõõteriistal olev sümbol viitab kasutusjuhendile ja/või ohutuseeskirjadele.
	Selle sümboliga tähistatud elektriseadmeid ei tohi käidelda Euroopa kodustes või avalikes jäätmekäitlussüsteemides. Tagastage vanad ja kasutuskõlbmatud seadmed tasuta utiliseerimiseks tootjale.
	Selle sümboliga tähistatud osad võivad olla kuumad ja nende puudutamisel tuleb olla ettevaatlik.
	See sümbol näitab, et märgistatud seade vajab kaitsemaandusühendust. Kui seadme juhtmel tarnimisel maanduspistikut ei ole, looge kaitsemaandusühendus kaitse- elektrijuhi klemmiga.

### Toote ülevaade

Seadmel on üks või kaks kuumutusplokki, mis suurendavad prooviküvetis oleva lahuse temperatuuri määratud aja jooksul seatud temperatuurini (Joonis 1).

Seadmel LT 200 on kolm eelmääratud temperatuuriprogrammi ja kuus kasutaja kohandatavat ja salvestatud temperatuuriprogrammi. Seadmel DRB 200 on kuus eelmääratud temperatuuriprogrammi ja kolm kasutaja kohandatavat ja salvestatud temperatuuriprogrammi.

### Joonis 1 Eestvaade




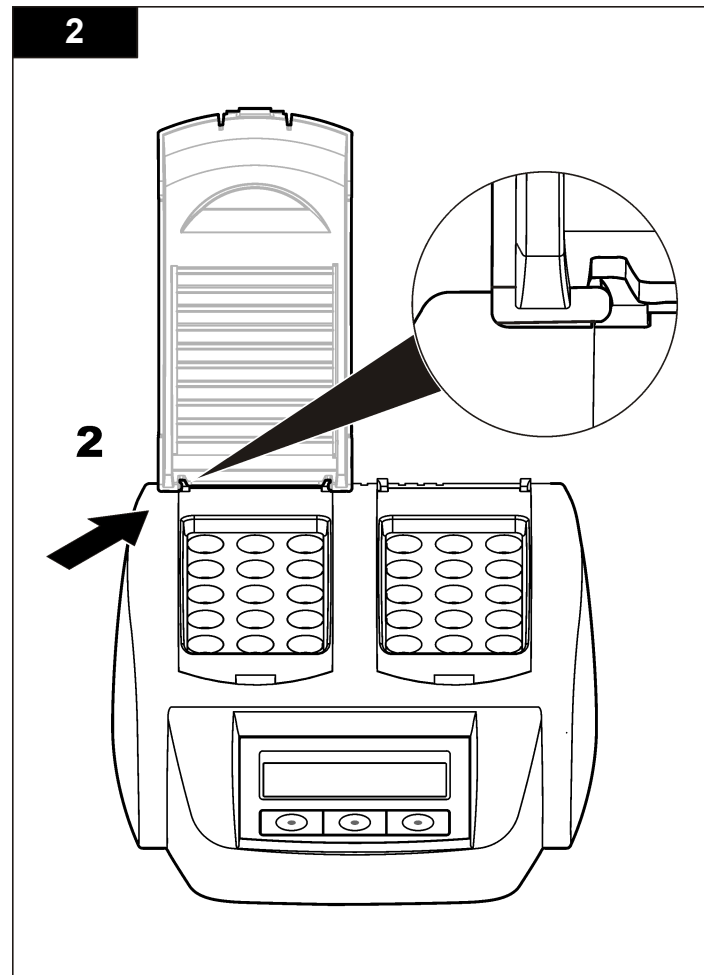
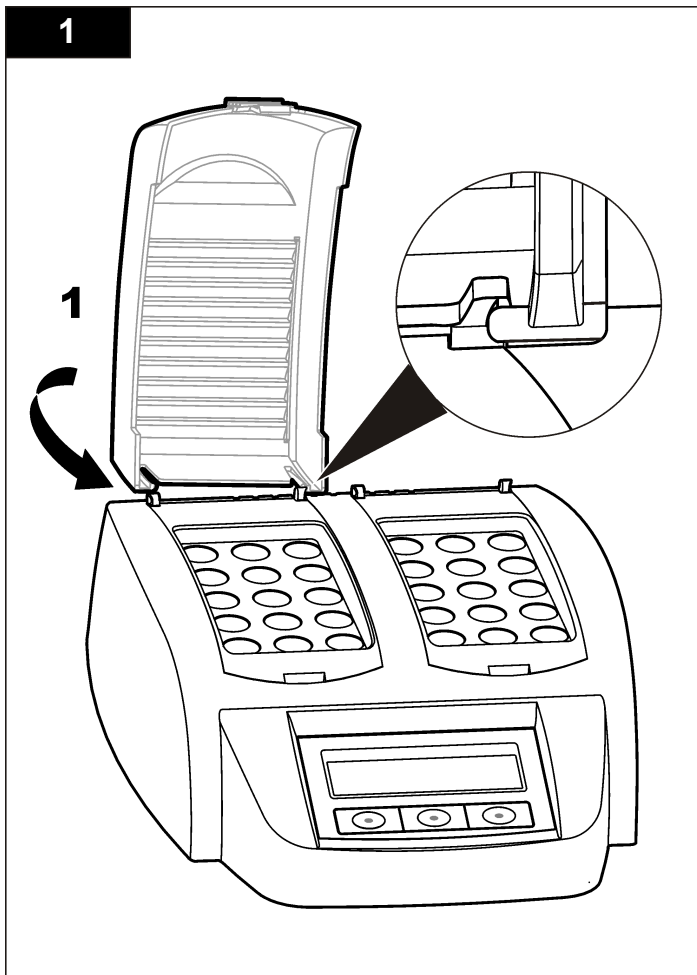
1 Kaitsekate	3 Näidik	5 Vasak kuumutusplakk
2 Parem kuumutusplakk	4 Nupud	

## Paigaldamine

Järgige alltoodud illustreeritud juhiseid.

### Kaitsekatete paigaldamine

<b>▲ HOIATUS</b>	
	Elektrilöögi- ja põletusoht! Selleks, et vältida vigastusi, tuleb paigaldada kaitsekate. Kaitsekate vähendab põletusohtu ja ei lase toitejuhtmel kuumutusplokiga kokku puutuda.

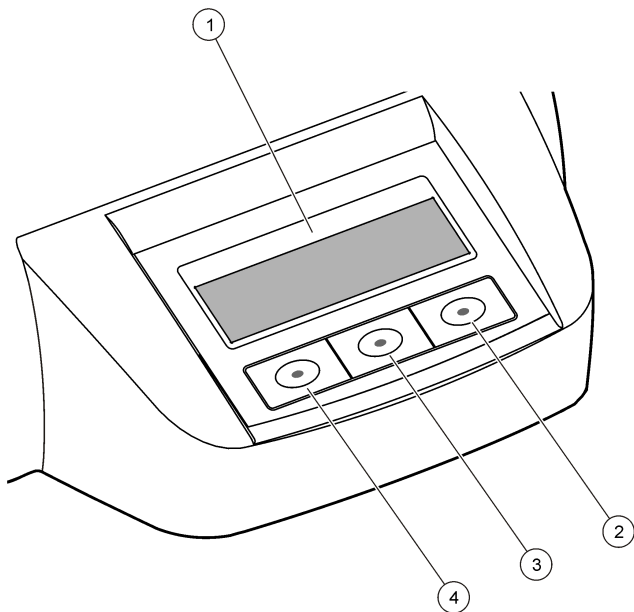


## Kasutajaliides ja navigeerimine

### Kasutajaliides

Mõddikut juhitakse kolme nupuga, mis asuvad ekraani all (Joonis 2). Nuppude funktsioone kuvatakse ekraanil. Kui nupu kohal funktsiooni ei kuvata, pole vastav nupp parajasti aktiivne.

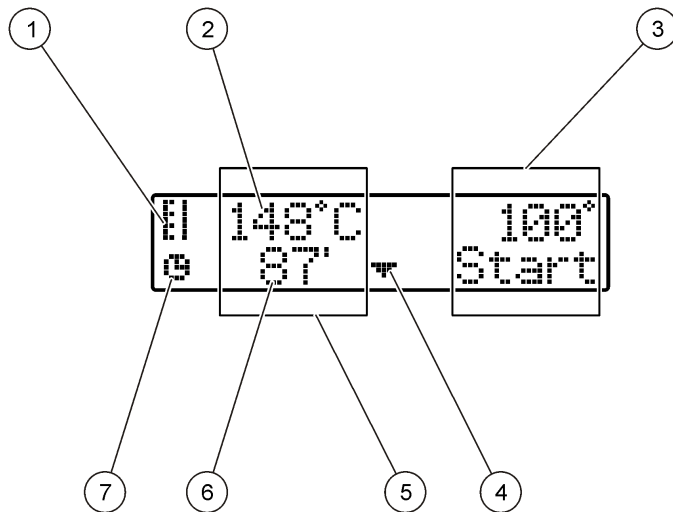
Joonis 2 Nupustiku kirjeldus



1 Ekraan	3 Keskmine nupp
2 Parem nupp	4 Vasak nupp

## Ekraani kirjeldus

Joonis 3 Ekraanikuva, kui ainult vasak kuumutusplokk on aktiivne



1 Termomeetri sümbol	5 Vasak kuumutusplokk
2 Kuumutusploki temperatuur	6 Järelejäänud aeg
3 Parem kuumutusplokk	7 Taimeri sümbol
4 Allanool (programmi valimiseks)	



Tabel 1 Termomeetri sümbolid

Sümbol	Kirjeldus
	Kuumutusploki temperatuur tõuseb.
	Kuumutusplokk on valitud temperatuuril.
	Kuumutusploki temperatuur väheneb.

## Käivitamine

### Mõõdiku käivitamine

#### TEADE

Ärge lülitage mõõdikut kiiresti välja ja sisse, sest see võib mõõdikut kahjustada. Enne mõõdiku uuesti sisselülitamist oodake vähemalt 20 sekundit.

1. Asetage mõõdik kindlale, tasasele, kuumuskindlale pinnale.
2. Ühendage toitejuhe mõõdiku tagaküljel olevasse pesasse.
3. Ühendage toitejuhe kaitsemaandusega pistikupesasse.
4. Vajutage mõõdiku tagaküljel olevat toitelülitit, et seade sisse lülitada. Mõõdiku esmakordsel sisselülitamisel kuvatakse keelemäärangu dialoog. Vaadake [Keele valimine](#) leheküljel 233.

### Keele valimine

1. Hoidke all vasakut nuppu ja lülitage mõõdik sisse.
2. Vajutage paremat noolt, et menüüd sirvida. Menüü viimase elemendini jõudes kuvatakse menüü jälle algusest.
3. Kui kuvatakse õige keel, vajutage keele nuppu. Vaadake [Tabel 2](#).

Tabel 2 Keelemäärangud

Määrang	Keel	Määrang	Keel
GB	inglise keel	E	hispaania keel
D	saksa keel	NL	hollandi keel
F	prantsuse keel	S	rootsi keel
I	itaalia keel	PL	poola keel

## Ekraani kontrastsuse reguleerimine

1. Hoidke all keskmist nuppu ja lülitage mõõdik sisse.
2. Vajutage (või hoidke all) üles- või allanoolt, et kontrastsust muuta.
3. Vajutage **OK**, et muudatus salvestada.

## Kasutamine

### ⚠ OHT



Kemikaalidega kokkupuute oht. Järgige labori ohutusprotseduure ja kasutage käideldavatele kemikaalidele vastavat kaitsevarustust. Ohutuseeskirjad leiata käesolevatelt ohutuskartidelt (MSDS/SDS).

## Tavaline tööprotseduur

### ⚠ ETTEVAATUST



Põletusohut! Ärge sisestage kuumutusploki avausse sõrme. Sulgege kaitsekate enne kuumutusploki temperatuuri tõstmist ja hoidke kaitsekate seadme töötamise ajal alati suletuna.

### ⚠ ETTEVAATUST



Põletusohut! Prooviküvetid on kuumad. Kandke soojusisolatsiooniga kaitsevahendeid (nt kindaid või kummist sõrmekaitseid). Ärge eemaldage seadmest prooviküvetit, mille temperatuur on kõrgem kui 80 °C. Ärge asetage kolorimeetrisse prooviküvetit, mille temperatuur on kõrgem kui 80 °C.

### ⚠ ETTEVAATUST



Keemiline oht! Kui prooviküvetit puruneb, ärge laske vedelikul nahaga kokku puutuda. Kasutage kemikaalaurude eemaldamiseks vajadusel tõmbekappi.

### ⚠ ETTEVAATUST



Kemikaalidega kokkupuute oht. Järgige kemikaalide ja jäätmete kõrvaldamisel kohalikke, piirkondlikke ja riiklikke õigusakte.

### TEADE

Hoidke kuumutusploki avased kuivana, et hoida ära prooviküveti ja mõõdiku kahjustumine. Kuivatage korralikult prooviküvetite välispinnad.

### TEADE

Selleks, et vältida mõõdiku kahjustamist, ühendage seade prooviküveti lekkimisel või purunemisel kohe vooluvõrgust lahti ja puhastage see. Vaadake [Mõõdiku puhastamine](#) leheküljel 236.

### TEADE

Ärge katke kaitsekatte ventilatsiooniasasid. Mõõdik ja prooviküvetid võivad üle kuumeneda ja mõõtmise täpsus võib seega väheneda.

1. Valmistage prooviküvetid ette nagu kirjeldatud analüüsi protseduuris.
2. Sulgege prooviküvetid korgiga.
3. Kuivatage prooviküvetite välispinnad täielikult.
4. Lülitage mõõdik sisse ja avage kaitsekate. Ekraanil kuvatakse viimased temperatuuriprogrammid.
5. Kui kasutate 20 mm avaustega 16 mm torusid, asetage avaustesse sobitusadapterid.

6. LT 200: asetage prooviküvetid õigesse kuumutusploki ja sulgege kaitsekate.
7. Valige nuppude abil õige temperatuuriprogramm (ja töötlemisperiood, kui on olemas) ning vajutage nuppu **Start**. Vt [Salvestatud programmid](#) leheküljel 234. Kahe kuumutusploki puhul saab valida kuumutusplokkide temperatuure üksteisest sõltumatult.

**Märkus.** Vajutage programmi all olevat nuppu kaks korda, et programm seisata.

LT 200: töötlemisprogramm algab. Kuumutusploki temperatuur suureneb valitud temperatuurini ja seejärel loendatakse aeg automaatselt nullini (0). Kui töötlemisprogramm lõpeb, kõlab kolm piiksu ja kuumutusplokk lülitub välja.

DRB 200: kuumutusploki temperatuur tõuseb valitud temperatuurini.

8. DRB 200: kui kuumutusplokk on valitud temperatuuril (kõlab kaks piiksu), asetage prooviküvetid õigesse kuumutusploki ja sulgege kaitsekate. Vajutage nuppu **Start**, et töötlemisprogramm käivitada. Kui töötlemisprogramm lõpeb, kõlab kolm piiksu ja kuumutusplokk lülitub välja.

## Salvestatud programmid

**Tabel 3:** seadme LT 200 eel määratud temperatuuriprogrammide kirjeldused. **Tabel 4:** seadme DRB 200 eel määratud temperatuuriprogrammide kirjeldused.

**Tabel 3 Eelmääratud programmid – LT 200**

Programm	Kirjeldus
COD	Tõstab 120-ks minutiks prooviküvetid temperatuurini 148 °C. Jahutusfaasis kõlab neli piiksu, kui prooviküvetid on temperatuuril 80 °C. Eemaldage ja pöörake prooviküvette korduvalt ümber enne, kui lasete neil raamis maha jahtuda. Temperatuuriprogrammi COD saab kasutada kõigi COD prooviküvetite testidega.
100 °C	Tõstab 10-ks, 60-ks või 120-ks minutiks prooviküvetid temperatuurini 100 °C. Nt 60-minutist 100 °C programmi kasutatakse järgmiseks: <ul style="list-style-type: none"> <li>fosfaadi ja kroomi tuvastamiseks;</li> <li>raskemetallide töötlemiseks;</li> <li>proovide töötlemiseks tootega LCW 902 Crack Set.</li> </ul>
40 °C	Tõstab 10-ks minutiks prooviküvetid temperatuurini 40 °C. Nt 10-minutist 40 °C temperatuuriprogrammi kasutatakse formaldehüüdi või toiduensüümide testides.

**Tabel 4 Eelmääratud programmid – DRB 200**

Programm	Kirjeldus
COD	Tõstab 120-ks minutiks prooviküvetid temperatuurini 150 °C. Jahutusfaasis kõlab neli piiksu, kui prooviküvetid on temperatuuril 120 °C. Eemaldage ja pöörake prooviküvette korduvalt ümber enne, kui lasete neil raamis maha jahtuda.
TOC	Tõstab 120-ks minutiks prooviküvetid temperatuurini 105 °C. Temperatuuriprogrammi TOC saab kasutada kõigi Hach TOC prooviküvetite testidega.
100 °C	Tõstab 30-ks, 60-ks või 120-ks minutiks prooviküvetid temperatuurini 100 °C. Nt 60-minutist 100 °C programmi kasutatakse järgmiseks: <ul style="list-style-type: none"> <li>proovide töötlemiseks metallide ettevalmistusmeetodina;</li> <li>fosfaadi ja kroomi tuvastamiseks;</li> <li>raskemetallide töötlemiseks;</li> </ul>

**Tabel 4 Eelmääratud programmid – DRB 200 (järgneb)**

Programm	Kirjeldus
105 °C	Tõstab 30-ks, 60-ks või 120-ks minutiks prooviküvetid temperatuurini 105 °C.
150 °C	Tõstab 30-ks, 60-ks või 120-ks minutiks prooviküvetid temperatuurini 150 °C.
165 °C	Tõstab 30-ks, 60-ks või 120-ks minutiks prooviküvetid temperatuurini 165 °C.

## Kasutajaprogrammid

Seadmel LT 200 on kuus kasutaja kohandatavat temperatuuriprogrammi (PRG1–PRG6). Seadmel DRB 200 on kolm kasutaja kohandatavat temperatuuriprogrammi (PRG1–PRG3).

Kasutaja kohandatava temperatuuriprogrammi konfigureerimiseks toimige järgmiselt.

1. Valige nuppe kasutades temperatuuriprogramm.
2. Vajutage nuppu **Prog**, et siseneda programmeerimisrežiimi.
3. Sisestage programmile neljakohaline nimi. Vajutage vasakut nuppu, et märki muuta. Vajutage paremat nuppu, et liigutada kursor järgmise koha juurde. Vajutage **OK**, et muudatus salvestada.
4. Vajutage või hoidke all üles-/allanoolt, et määrata temperatuur (37 kuni 150 °C). Vajutage **OK**, et muudatus salvestada.
5. Vajutage või hoidke all üles-/allanoolt, et määrata aeg (0 kuni 480 minutit). Vajutage **OK**, et muudatus salvestada.
6. Vajutage **OK**, et programm salvestada.

## Hooldus

### ⚠ ETTEVAATUST



Erinevad ohud. Selles dokumendi osas kirjeldatud toiminguid tohivad teha vaid pädevad töötajad.

## TEADE

Ärge võtke seadet hoolduseks lahti. Kui seadme sees olevad osad vajavad puhastamist või remonti, võtke ühendust tootjaga.

## Mõõdiku puhastamine

Hoidke mõõdik puhtana, et selle talitlus oleks pidev ja täpne.

### ⚠ ETTEVAATUST



Tuleoht. Ärge kasutage seadme puhastamisel kergestisüttivaid aineid.

### ⚠ ETTEVAATUST



Põletusohu. Ärge puhastage mõõdikut, kui see on kuum.

## TEADE

Selleks, et hoida ära mõõdiku kahjustumine, vältige järgmiste kemikaalide kasutamist seadme puhastamisel (k.a selle ekraani): tärpentiin, atsetoon jms.

1. Lülitage mõõdik välja ja ühendage toitejuhe lahti.
2. Kui mõõdik on jahtunud, puhastage selle pind pehme lapiga, mida on niisutatud kerges seebilahuses. Veenduge, et mõõdikusse ei pääse vett.

Prooviküveti vedeliku mahaloksumisel või prooviküveti purunemisel toimige järgmiselt.

1. Lülitage mõõdik välja ja ühendage toitejuhe lahti.
2. Laske kuumutusplokiil/-plokkidel ja prooviküvetidel maha jahtuda.
3. Eemaldage vedelik pipetiga. Ärge laske vedelikul nahaga kokku puutuda.
4. Kõrvaldage vedelik keskkonnasõbralikult ja korrektsetl.
5. Eemaldage klaasikillud pintsettidega. Eemaldage mõõdikust kogu ülejäänud vedelik. Ärge laske vedelikul nahaga kokku puutuda.

## Kuumutusploki temperatuuri mõõtmine

Mõõtke kuumutusploki temperatuuri, et veenduda, et ekraanil kuvatakse täpseid temperatuurinäite.

Ekraanil kuvatakse vedelikuga täidetud suletud prooviküveti temperatuuri. Kuumutusploki temperatuuri tõusmise ajal võib kuumuti lähedal olla temperatuur kõrgem kui näit, mis ekraanil kuvatakse.

Vajalikud tööriistad:

- prooviküvett (LT 200: LCW906, DRB 200: 2275800)
- glütserool (veevaba; 5 ml);
- varrastermomeeter, kalibreeritud vahemiku 95 kuni 155 °C (203 kuni 311 °F) jaoks (ASTM tüüp 67C).

Kuumutusploki temperatuuri mõõtmiseks toimige järgmiselt.

1. Täitke puhas, tühi prooviküvett toatemperatuuril oleva glütserooliga.
2. Asetage termomeeter prooviküveti, kuni selle ots puudutab prooviküveti põhja.
3. LT 200: veenduge, et glütserooli tase on 62 mm ± 0,5 mm (2,44 tolli ± 0,02 tolli) prooviküveti põhjast, kui termomeeter on prooviküvetis.
4. DRB 200: veenduge, et glütserooli tase on 56 mm ± 0,5 mm (2,20 tolli ± 0,02 tolli) prooviküveti põhjast, kui termomeeter on prooviküvetis.
5. Asetage prooviküvett kuumutusploki teise rea keskmisesse avausse.
6. Kasutage noolenuppe, et käivitada programm temperatuuriga 100 °C ja kestusega 60 minutit ning vajutage nuppu **OK**.
7. Kui kuumutusploki on valitud temperatuuril (kostub kaks piiksu), peaks varrastermomeetri näit olema sama kui ekraanil kuvatav temperatuurinäit.

## Veotsing

Veateateid, võimalikke põhjuseid ja lahendusi vt [Tabel 5](#).

**Tabel 5 Veateated**

Viga	Lahendus
BLOCK IS TOO HOT! PLEASE WAIT (PLOKK ON ÜLEKUUMENENUD! PALUN OODAKE.)	Kuumutusploki temperatuur on valitud temperatuurist kõrgemal. Palun oodake, kuni kuumutusploki temperatuur on vähenenud.
INIT ERROR (LÄHTESTUSVIGA)	Mõõdik on defektne. Võtke ühendust klienditeenindusega.

## Varuosad ja tarvikud

### ▲ HOIATUS



Kehavigastuse oht. Heakskiitmata osade kasutamine võib põhjustada kehavigastusi, kahjustada seadet või põhjustada selle talitlushäireid. Selles jaotises kirjeldatud varuosad on tootja heaks kiitnud.

**Märkus.** Toot- ja artiklinumbrid võivad müügipiirkondades erineda. Lisainfot saate edasimüüjatelt või firma veebilehelt.

### Varuosad

Kirjeldus	Hulk	Tootekood
Kaitsekate	1	LZT048

### Tarvikud – DRB 200

Kirjeldus	Hulk	Tootekood
Sobitusadapter (20 > 16 mm)	1	HHA155
Sobitusadapter (16 > 13 mm)	1	2895805
Toru (16 x 100 mm)	1	2275800
Toru (16 x 100 mm)	6	2275806
Termomeeter (0 kuni 200 °C)	1	4565500

## Sadržaj

[Specifikacije](#) na stranici 238

[Rad](#) na stranici 244

[Opšte informacije](#) na stranici 238

[Održavanje](#) na stranici 246

[Postavljanje](#) na stranici 240

[Rešavanje problema](#) na stranici 247

[Korisnički interfejs i navigacija](#)  
na stranici 242

[Rezervni delovi i pribor](#) na stranici 247

[Pokretanje](#) na stranici 243

## Specifikacije

Specifikacije su podložne promeni bez najave.

Specifikacija	Detalji
Dimenzije	25 x 14,5 x 31 cm (9,8 x 5,7 x 12,2 inča)
Težina	Jedan blok za zagrevanje: 2 kg (4,4 funte) Dva bloka za zagrevanje: 2,8 kg (6,17 funti)
Zahtevi za napajanje	100–240 V, +5%/–15%, 50/60 Hz, Klasa zaštite I
Električni ulaz	Jedan blok za zagrevanje: 115 V: 300 VA; 230 V: 450 VA Dva bloka za zagrevanje: 115 V: 600 VA; 230 V: 900 VA
Temperatura skladištenja	od –40 do +60°C (od –40 do +140°F)
Radna temperatura	od 10 do 45°C (od 50 do 113°F)
Radna vlažnost	90% (bez kondenzacije)
Opseg temperature	LT 200: 37 do 150 °C (98,6 do 302 °F) DRB 200: 37 do 165 °C (98,6 do 329 °F) Tajmer: od 0 do 480 minuta
Stabilnost temperature	LT 200: ± 1 °C (± 2 °F) DRB 200: ± 2 °C (± 3,5 °F)

Specifikacija	Detalji
Brzina zagrevanja	LT 200: Od 20 do 148°C (od 68 do 298°F) za 10 minuta (prema standardu DIN 38409-44) DRB 200: Od 20 do 150°C (od 68 do 302°F) za 10 minuta
Sertifikati	CE i cTUVus

## Opšte informacije

Proizvođač neće ni u kom slučaju biti odgovoran za direktna, indirektna, posebna, slučajna ili posledična oštećenja nastala usled greške ili propusta u ovom priručniku. Proizvođač zadržava pravo da u bilo kom trenutku, bez obaveštavanja ili obaveza, izmeni ovaj priručnik i uređaj koji on opisuje. Revizije priručnika mogu se pronaći na veb-lokaciji proizvođača.

## Bezbednosne informacije

### O B A V E S T E N J E

Proizvođač nije odgovoran ni za kakvu štetu nastalu usled pogrešne primene ili pogrešnog korišćenja ovog uređaja, što obuhvata, ali se ne ograničava na direktna, slučajna i posledična oštećenja, i u potpunosti se odriče odgovornosti za takva oštećenja u skladu sa zakonom. Prepoznavanje opasnosti od kritičnih primena i instaliranja odgovarajućih mehanizama za zaštitu procesa tokom mogućeg kvara opreme predstavljaju isključivu odgovornost korisnika.

Pažljivo pročitajte celo ovo uputstvo pre nego što raspakujete, podesite i počnete da koristite ovaj uređaj. Obratite pažnju na sve izjave o opasnosti i upozorenju. Ukoliko se toga ne budete pridržavali, može doći do teških povreda operatera ili oštećenja opreme.

Obezbedite da se zaštita koja se isporučuje uz uređaj ne ošteti. Nemojte da koristite ovu opremu na bilo koji način koji se razlikuje od onog opisanog u ovom priručniku.

## Korišćenje informacija o opasnosti

### ▲ O P A S N O S T

Označava potencijalnu ili neposredno opasnu situaciju koja će, ukoliko ne bude izbegnuta, dovesti do smrti ili teških povreda.

## ⚠ UPOZORENJE

Označava potencijalnu ili neposredno opasnu situaciju koja bi, ukoliko ne bude izbegnuta, mogla dovesti do smrti ili teških povreda.

## ⚠ OPREZ





Označava potencijalno opasnu situaciju koja može dovesti do lakših ili srednjih povreda.

## OBAVEŠTENJE

Označava situaciju koja, ukoliko ne bude izbegnuta, može dovesti do oštećenja uređaja. Informacije koje zahtevaju posebno isticanje.

### Oznake predostrožnosti

Pročitajte sve oznake postavljene na instrument. Ukoliko ne vodite računa o njima, može doći do povređivanja ili oštećenja instrumenta. Simbol koji se nalazi na instrumentu biće propraćen odgovarajućim tekstom o opasnosti ili upozorenju u priručniku.

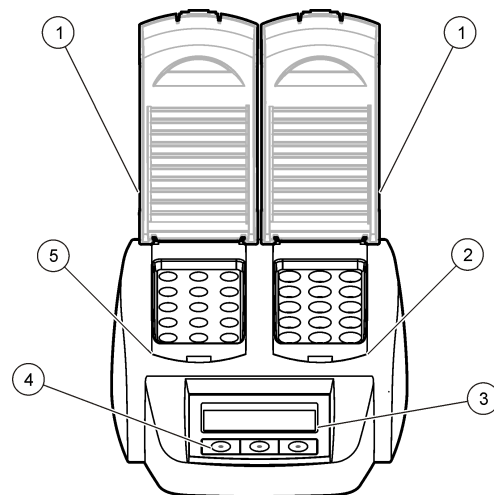
	Ukoliko se ovaj simbol nalazi na instrumentu, to znači da je neophodno informacije o načinu korišćenja i/ili bezbednosti potražiti u priručniku za korišćenje.
	Električni uređaj označen ovim simbolom se ne sme odlagati u okviru Evropskog sistema za odlaganje kućnog ili javnog otpada. Stara ili dotrajala opremu treba da se vrati proizvođaču radi pravilnog odlaganja, bez plaćanja nadoknade od strane korisnika.
	Ovaj simbol ukazuje na to da obeleženi proizvod može biti vruć i da ga pažljivo treba dodirivati.
	Ovaj simbol ukazuje na to da je za označenu stavku neophodno zaštitno uzemljenje. Ako instrument nije isporučen sa priključkom za uzemljenje na kablo, povežite zaštitno uzemljenje na terminal zaštitnog provodnika.

## Pregled uređaja

Instrument ima jedan ili dva bloka za zagrevanje koji povećavaju temperaturu rastvora u okruglim ćelijama za uzorke na navedenu temperaturu tokom navedenog perioda (Slika 1).

LT 200 ima tri sačuvana programa temperature i šest programa temperature koje konfigurise i čuva korisnik. DRB 200 ima tri sačuvana programa temperature i tri programa temperature koje konfigurise i čuva korisnik.

Slika 1 Izgled spreda



1 Zaštitni poklopac	3 Ekran	5 Levi blok za zagrevanje
2 Desni blok za zagrevanje	4 Tasteri	

## Postavljanje

Pogledajte prikazane korake koji slede.

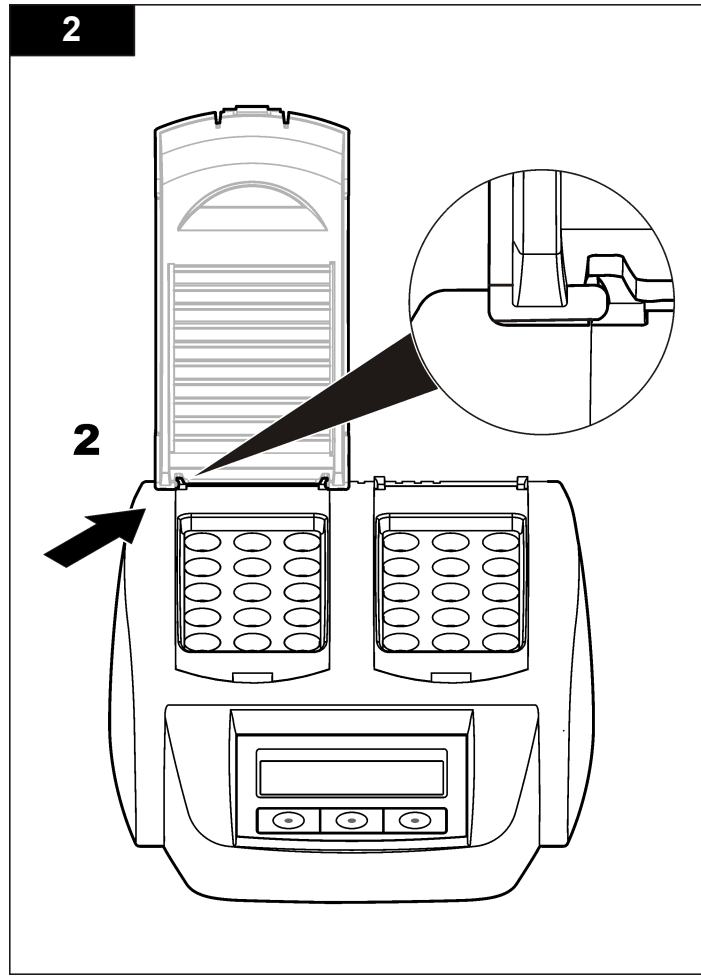
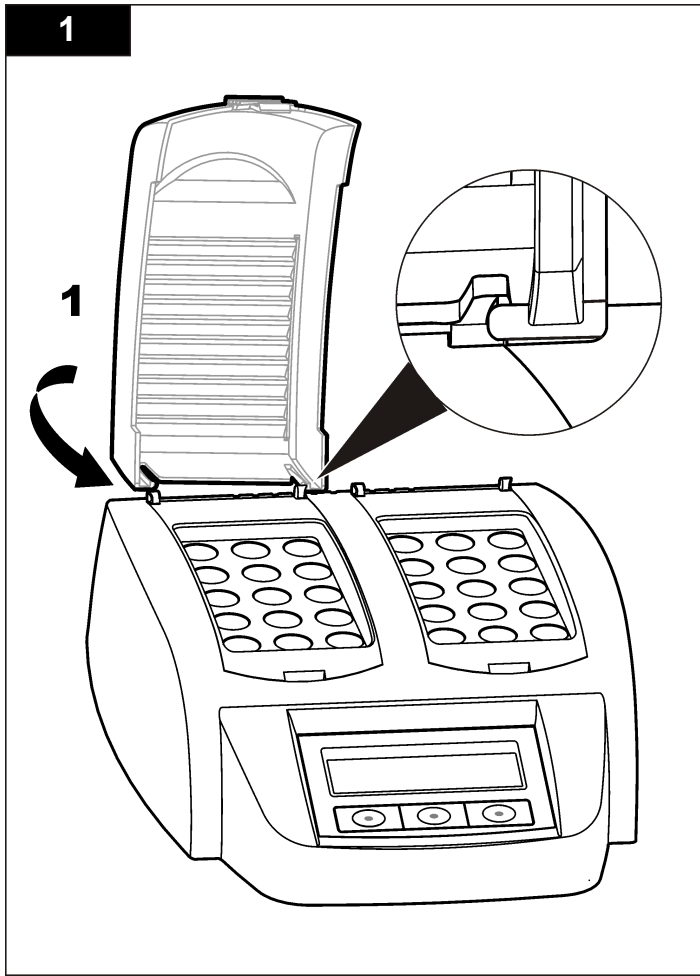
### Montiranje zaštitnih poklopaca

#### **▲ UPOZORENJE**



Opasnost od strujnog udara i opekotina. Zaštitni poklopac mota biti montiran da bi se sprečile telesne povrede. Zaštitni poklopac štiti od opekotina i kontakta kabla za napajanje sa blokom za zagrevanje.



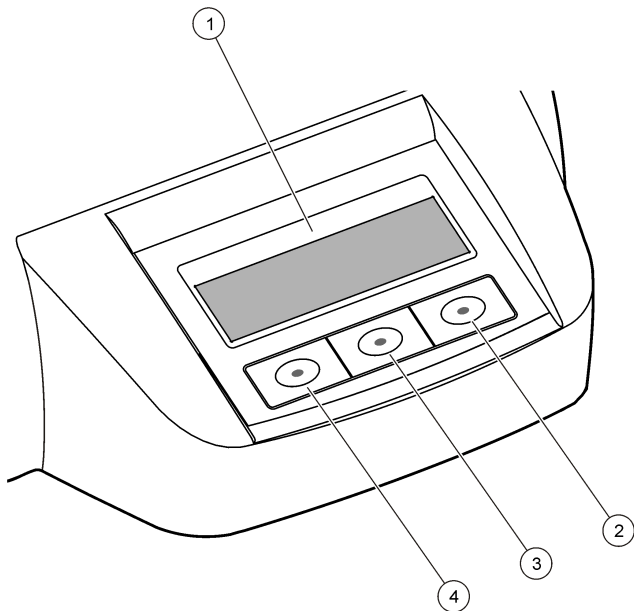


## Korisnički interfejs i navigacija

### Korisnički interfejs

Instrumentom se upravlja pomoću tri tastera koja se nalaze ispod ekrana (Slika 2). Funkcija svakog tastera je prikazana na ekranu. Ako nijedna funkcija nije prikazana za neki taster, taj taster nije aktivan.

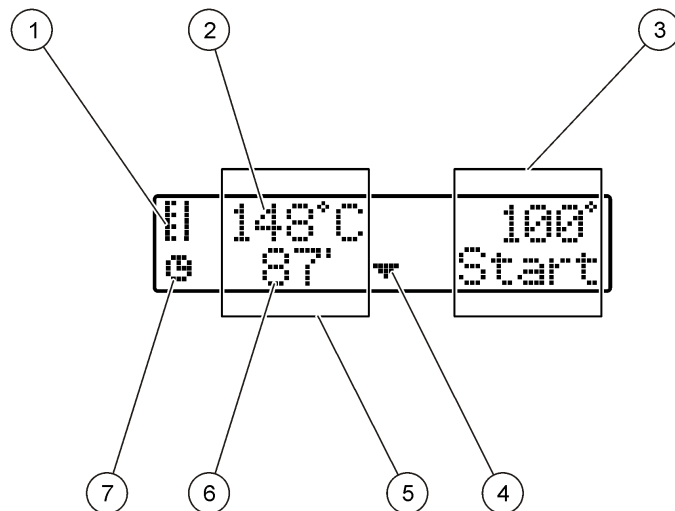
Slika 2 Opis tastature



1 Ekran	3 Srednji taster
2 Desni taster	4 Levi taster

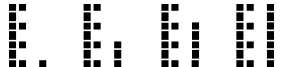

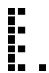
### Opis ekrana

Slika 3 Prikaz ekrana kada je program aktivan samo u levom bloku za zagrevanje



1 Simbol termometra	5 Levi blok za zagrevanje
2 Temperatura bloka za zagrevanje	6 Preostalo vreme
3 Desni blok za zagrevanje	7 Simbol tajmera
4 Taster sa strelicom nadole (koristi se za izbor programa)	

**Tabela 1 Simboli termometra**

Simbol	Opis
	Povećava se temperatura u bloku za zagrevanje.
	Blok za zagrevanje je na izabranoj temperaturi.
	Smanjuje se temperatura u bloku za zagrevanje.

## Pokretanje

### Uključivanje instrumenta

#### **OBAVEŠTENJE**

Nemojte brzo isključivati i uključivati instrument pošto to može da ošteti instrument. Uvek sačekajte oko 20 sekundi pre ponovnog uključivanja instrumenta.

1. Stavite instrument na stabilnu i ravnu površinu koja je otporna na toplotu.
2. Povežite kabl za napajanje sa utičnicom za napajanje na zadnjoj strani instrumenta.
3. Povežite kabl za napajanje sa uzemljenom električnom utičnicom.
4. Pritisnite prekidač za napajanje na zadnjoj strani instrumenta da biste uključili instrument.

Kada instrument bude prvi put uključen, prikazaće se ekran za izbor jezika. Pogledajte [Izbor jezika](#) na stranici 243.

### Izbor jezika

1. Držite desni taster i uključite instrument.

2. Pritisnite taster sa strelicom udesno da biste se kretali kroz meni. Na kraju menija se ekran se vraća na početak menija.
3. Kada se prikaže ispravan jezik, pritisnite taster za jezik. Pogledajte [Tabela 2](#).



**Tabela 2 Podešavanje jezika**

Podešavanje	Language (Jezik)	Podešavanje	Language (Jezik)
GB	engleski	E	španski
D	nemački	NL	holandski
F	francuski	S	švedski
I	italijanski	PL	poljski


### Postavljanje kontrasta prikaza


1. Držite srednji taster i uključite instrument.
2. Pritisnite ili držite tastere sa strelicom nagore ili nadole da biste promenili vrednost kontrasta.
3. Pritisnite **OK** da biste sačuvali promenu.


## Rad


▲ OPASNOST	
	Opasnost od izloženosti hemijskim supstancama. Pridržavajte se laboratorijskih sigurnosnih procedura i nosite kompletnu opremu za ličnu zaštitu koja mora biti u skladu sa vrstom hemikalija sa kojom rukujete. Bezbednosne protokole potražite na listovima sa trenutnim podacima o bezbednosti (MSDS/SDS).
	

## Rutinski rad

▲ OPREZ	
	Opasnost od opekotina. Nemojte stavljati prst u otvor u bloku za zagrevanje. Zatvorite zaštitni poklopac pre nego što povećate temperaturu bloka za zagrevanje. Tokom rada zaštitni poklopac mora uvek biti zatvoren.

▲ OPREZ	
	Opasnost od opekotina. Čelije za uzorke su vruće. Nosite termoizolacioni materijal (npr. rukavice ili navlake za prste). Nemojte uklanjati čelije za uzorke koje su toplije od 80°C. Nemojte stavljati čelije koje su toplije od 80°C u kalorimetar.

▲ OPREZ	
	Hemijska opasnost. Ako se slomi čelija za uzorak, nemojte dozvoliti da tečnost dodirne kožu. Po potrebi koristite aspirator da biste uklonili hemijska isparenja.

▲ OPREZ	
	Opasnost od izloženosti hemijskim supstancama. Hemikalije i otpad odlažite u skladu sa lokalnim, regionalnim i nacionalnim regulativama.

OBAVEŠTENJE	
Da bi se sprečilo oštećenje čelije za uzorak i instrumenta, otvori u bloku za zagrevanje treba da budu suvi. Potpuno osušite spoljnu stranu čelije za uzorak.	

OBAVEŠTENJE	
Da biste sprečili oštećenje instrumenta, odmah isključite napajanje ako dođe do slučajnog prosipanja tečnosti ili ako se slomi čelija za uzorak, a zatim očistite instrument. Pogledajte <a href="#">Čišćenje instrumenta</a> na stranici 246.	

OBAVEŠTENJE	
Nemojte pokrivati proreze za ventilaciju na zaštitnom poklopcu. Instrument i čelije za uzorke mogu postati suviše topli i smanjiti preciznost merenja.	

1. Pripremite probne čelije za uzorke kao što je navedeno u proceduri analize.
2. Zatvorite čelije za uzorke poklopcem.
3. Potpuno osušite spoljnu stranu čelije za uzorak.
4. Uključite instrument i otvorite zaštitni poklopac. Na ekranu će se prikazivati poslednji izabrani programi temperature.
5. Ako koristite cevi od 16 mm u bloku za zagrevanje sa otvorima od 20 mm, stavite reduktorske adaptere u otvore.
6. LT 200: Stavite probne čelije sa uzorcima u ispravan blok za zagrevanje i zatvorite zaštitni poklopac.
7. Izaberite ispravan program temperature (i period kotlovske obrade, ako je primenljivo) pomoću tastera, a zatim pritisnite **Start** (Pokreni). Pogledajte [Sačuvani programi](#) na stranici 245. Program temperature se bira odvojeno za svaki blok za zagrevanje ako postoje dva bloka za zagrevanje.

**Napomena:** Da biste zaustavili program, dvaput pritisnite taster ispod programa.

LT 200: Pokreće se program kotlovske obrade. Temperatura bloka za zagrevanje raste do izabrane temperature, a zatim automatski počinje odbrojavanje vremena do nule (0). Kada se program kotlovske obrade završi, čuće se tri zvučna signala i grejač će se isključiti.

DRB 200: Temperatura bloka za zagrevanje raste do izabrane temperature.

8. DRB 200: Kada blok za zagrevanje bude na izabranoj temperaturi (čuće se dva zvučna signala), stavite probne čelije za uzorke u ispravan blok za zagrevanje i zatvorite zaštitni poklopac. Pritisnite **Start** (Pokreni) da biste pokrenuli program kotlovske obrade.

Kada se program kotlovske obrade završi, čuće se tri zvučna signala i grejač će se isključiti.

## Sačuvani programi

Tabela 3 sadrži opise sačuvanih programa temperature za LT 200.

Tabela 4 sadrži opise sačuvanih programa temperature za DRB 200.

**Tabela 3 Sačuvani programi – LT 200**

Program	Opis
COD	Povećava temperaturu ćelija za uzorke do 148°C za 120 minuta. U fazi hlađenja čuće se četiri zvučna signala kada ćelije za uzorke budu na 80°C. Uklonite i nekoliko puta pažljivo prevrnite ćelije sa uzorcima pre neko što pustite da se ohlade u držaču. COD program temperature može da se koristi za sve COD probne ćelije za uzorke.
100°C	Povećava temperaturu ćelija za uzorke do 100°C za 10, 60 ili 120 minuta. Na primer, program temperature „100°C, 60 minuta“ koristi se u sledećim slučajevima: <ul style="list-style-type: none"> <li>• Određivanje fosfata ili hroma</li> <li>• Kotlovska obrada teških metala</li> <li>• Kotlovska obrada uzoraka pomoću kompleta LCW 902</li> </ul>
40°C	Povećava temperaturu ćelija za uzorke do 40°C za 10 minuta. Na primer, program temperature „40°C, 10 minuta“ koristi se za testiranje formaldehida ili testiranja hrane koja fermentiše.

**Tabela 4 Sačuvani programi – DRB 200**

Program	Opis
COD	Povećava temperaturu ćelija za uzorke do 150°C za 120 minuta. U fazi hlađenja čuće se četiri zvučna signala kada ćelije za uzorke budu na 120°C. Uklonite i nekoliko puta pažljivo prevrnite ćelije sa uzorcima pre neko što pustite da se ohlade u držaču.
TOC	Povećava temperaturu ćelija za uzorke do 105°C za 120 minuta. TOC program temperature može da se koristi za sve Hach TOC probne ćelije za uzorke.
100°C	Povećava temperaturu ćelija za uzorke do 100°C za 30, 60 ili 120 minuta. Na primer, program temperature „100°C, 60 minuta“ koristi se u sledećim slučajevima: <ul style="list-style-type: none"> <li>• Kotlovska obrada uzoraka pomoću pripremljenog kompleta za metale</li> <li>• Određivanje fosfata ili hroma</li> <li>• Kotlovska obrada teških metala</li> </ul>
105°C	Povećava temperaturu ćelija za uzorke do 105°C za 30, 60 ili 120 minuta.
150°C	Povećava temperaturu ćelija za uzorke do 150°C za 30, 60 ili 120 minuta.
165°C	Povećava temperaturu ćelija za uzorke do 165°C za 30, 60 ili 120 minuta.

## Korisnički programi

LT 200 ima šest programa temperature koje konfigurira korisnik (PRG1–PRG6). DRB 200 ima tri programa temperature koje konfigurira korisnik (PRG1–PRG3).

Da biste konfigurisali korisnički program temperature:

1. Izaberite korisnički program temperature pomoću tastera.
2. Pritisnite **Prog** (Program) da biste ušli u režim za programiranje.
3. Izaberite ime programa dužine 4 znaka. Pritisnite levi taster da biste promenili znak. Pritisnite desni taster da biste pomerili kursor na sledeće mesto. Pritisnite **OK** da biste sačuvali promenu.

4. Pritisnite ili držite tastere sa strelicom nagore ili nadole da biste podesili temperaturu (od 37 do 150°C). Pritisnite **OK** da biste sačuvali promenu.
5. Pritisnite ili držite tastere sa strelicom nagore ili nadole da biste podesili vreme (od 0 do 480 minuta). Pritisnite **OK** da biste sačuvali promenu.
6. Pritisnite **OK** da biste sačuvali program.

## Održavanje

### ▲ OPREZ



Višestruke opasnosti. Zadatke opisane u ovom odeljku dokumenta mora da obavlja isključivo stručno osoblje.

### OBAVEŠTENJE

Nemojte rastavljati instrument zbog održavanja. Ukoliko je neophodno očistiti ili popraviti unutrašnje komponente, obratite se proizvođaču.

## Čišćenje instrumenta

Održavajte instrument u čistom stanju da biste ostvarili neprekidan i precizan rad.

### ▲ OPREZ



Opasnost od požara. Nemojte koristiti zapaljive agense za čišćenje instrumenta.

### ▲ OPREZ



Opasnost od opekotina. Nemojte čistiti instrument kada je vruć.

### OBAVEŠTENJE

Da biste sprečili oštećenje instrumenta, nemojte koristiti sredstva za čišćenje kao što su terpentini, aceton i sl. da biste čistili instrument, što obuhvata i ekran.

1. Isključite instrument i isključite kabl za napajanje.
2. Kada je instrument hladan, obrišite površinu instrumenta mekanom, vlažnom krpom i blagim rastvorim sapuna. Vodite računa da voda ne uđe u instrument.

Ako se prospe tečnost u ćeliji za uzorak ili se slomi ćelija za uzorak:

1. Isključite instrument i isključite kabl za napajanje.
2. Pustite da se smanji temperatura blokova za zagrevanje i ćelija za uzorke dok se ne ohlade.
3. Pipetom uklonite tečnost. Nemojte dozvoliti da tečnost dodirne kožu.
4. Odložite tečnost na ispravan način.
5. Pincetom uklonite slomljeno staklo. Uklonite svu preostalu tečnost na instrumentu. Nemojte dozvoliti da tečnost dodirne kožu.

## Merenje temperature bloka za zagrevanje

Izmerite temperaturu bloka za zagrevanje da biste obezbedili da temperatura prikazana na ekranu bude ispravna.

Temperatura prikazana na ekranu predstavlja temperaturu u zatvorenoj ćeliji za uzorak u kojoj se nalazi tečnost. Dok se povećava temperatura bloka za zagrevanje, temperatura bloka za zagrevanje, blizu grejača, može biti veća od temperature prikazane na ekranu.

Potrebne alatke:

- Ćelija za uzorak (LT 200: LCW906, DRB 200: 2275800)
- Glicerol (bezvodni), 5 ml
- Termometar, sa cevčicom, kalibrisan za temperature od 95 do 155°C (od 203 do 311°F), tip 67C prema ASTM

Merenje temperature bloka za zagrevanje:

1. Napunite čistu, praznu ćeliju za uzorak glicerolom koji je na sobnoj temperaturi.
2. Stavite termometar u ćeliju za uzorak dok termometar ne dodirne dno ćelije za uzorak.

- LT 200: Vodite računa da nivo glicerola bude 62 mm ± 0,5 mm (2,44 inča ± 0,02 inča) od dna ćelije za uzorak kada je termometar u ćeliji za uzorak.
- DRB 200: Vodite računa da nivo glicerola bude 56 mm ± 0,5 mm (2,20 inča ± 0,02 inča) od dna ćelije za uzorak kada je termometar u ćeliji za uzorak.
- Stavite ćeliju za uzorak u centralni otvor u drugom redu bloka za zagrevanje.
- Pokrenite program temperature od 100°C tokom 60 minuta pomoću tastera, a zatim pritisnite **OK**.
- Kada blok za zagrevanje bude na izabranoj temperaturi (čuće se dva zvučna signala), temperatura na termometru treba da bude ista kao temperatura prikazana na ekranu.

## Rešavanje problema

Pogledajte **Tabela 5** da biste videli poruke o greškama, moguće uzroke i korektivne mere.

**Tabela 5 Poruke o greškama**

Greška	Rešenje
BLOCK IS TOO HOT! (BLOK JE PREVRUČ!) PLEASE WAIT (SAČEKAJTE)	Temperatura bloka za zagrevanje je veća od izabrane temperature. Sačekajte da se smanji temperatura bloka za zagrevanje.
INIT ERROR (GREŠKA POKRETANJA)	Instrument je neispravan. Obratite se korisničkom servisu.

## Rezervni delovi i pribor

<b>▲ UPOZORENJE</b>	
	Opasnost od povreda. Korišćenje neodobrenih delova može da dovede do telesne povrede, oštećenja instrumenta ili kvara opreme. Rezervne delove u ovom odeljku je odobrio proizvođač.

**Napomena:** Brojevi proizvoda i artikala mogu se razlikovati na nekim tržištima. Informacije za kontakt potražite od odgovarajućeg distributera ili na veb-lokaciji kompanije.

## Rezervni delovi

Opis	Količina	Br. stavke
Zaštitni poklopac	1	LZT048

## ADodatna oprema—DRB 200

Opis	Količina	Br. stavke
Reduktorski adapter, 20 > 16 mm	1	HHA155
Reduktorski adapter, 16 > 13 mm	1	2895805
Cev, 16 x 100 mm	1	2275800
Cev, 16 x 100 mm	6	2275806
Termometar, od 0 do 200°C	1	4565500







**HACH COMPANY World Headquarters**

P.O. Box 389, Loveland, CO 80539-0389 U.S.A.

Tel. (970) 669-3050

(800) 227-4224 (U.S.A. only)

Fax (970) 669-2932

orders@hach.com

www.hach.com

**HACH LANGE GMBH**

Willstätterstraße 11

D-40549 Düsseldorf, Germany

Tel. +49 (0) 2 11 52 88-320

Fax +49 (0) 2 11 52 88-210

info-de@hach.com

www.de.hach.com

**HACH LANGE Sàrl**

6, route de Compois

1222 Vérenaz

SWITZERLAND

Tel. +41 22 594 6400

Fax +41 22 594 6499

