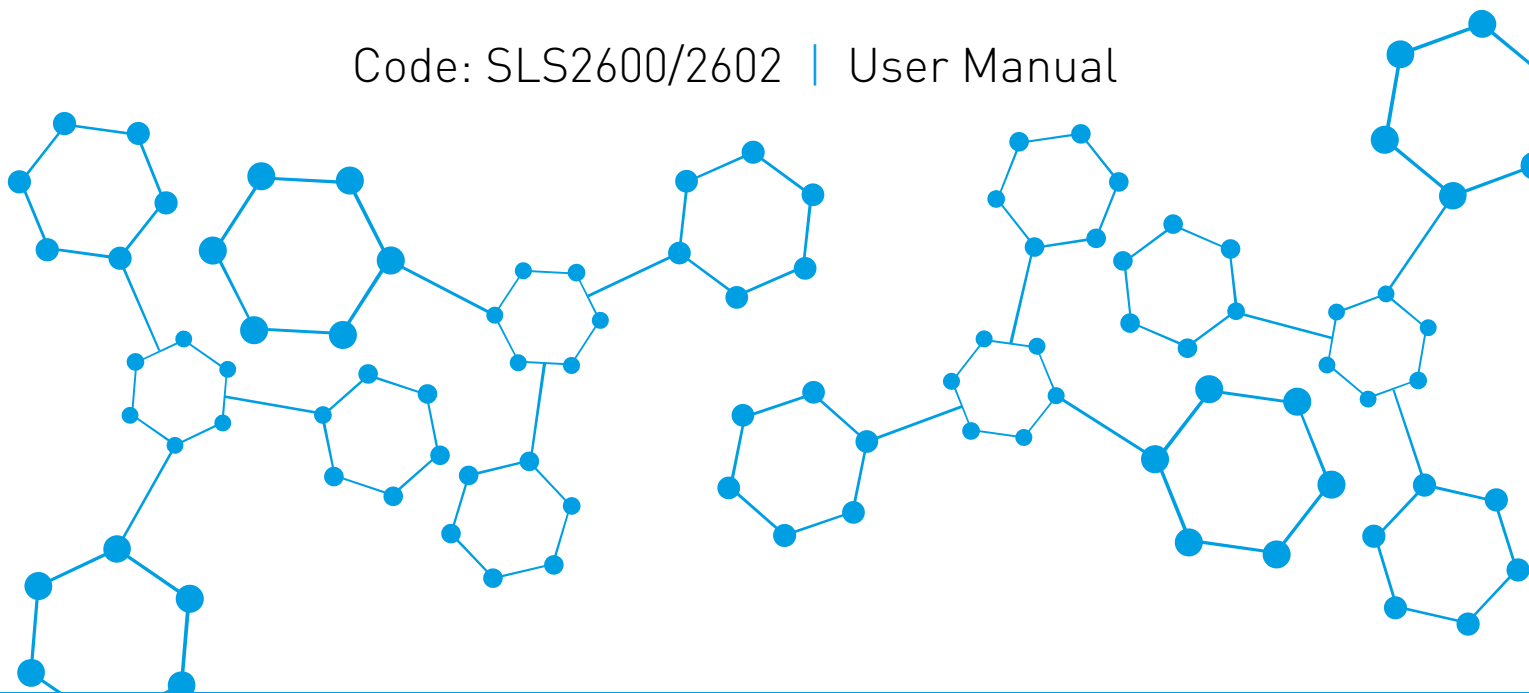


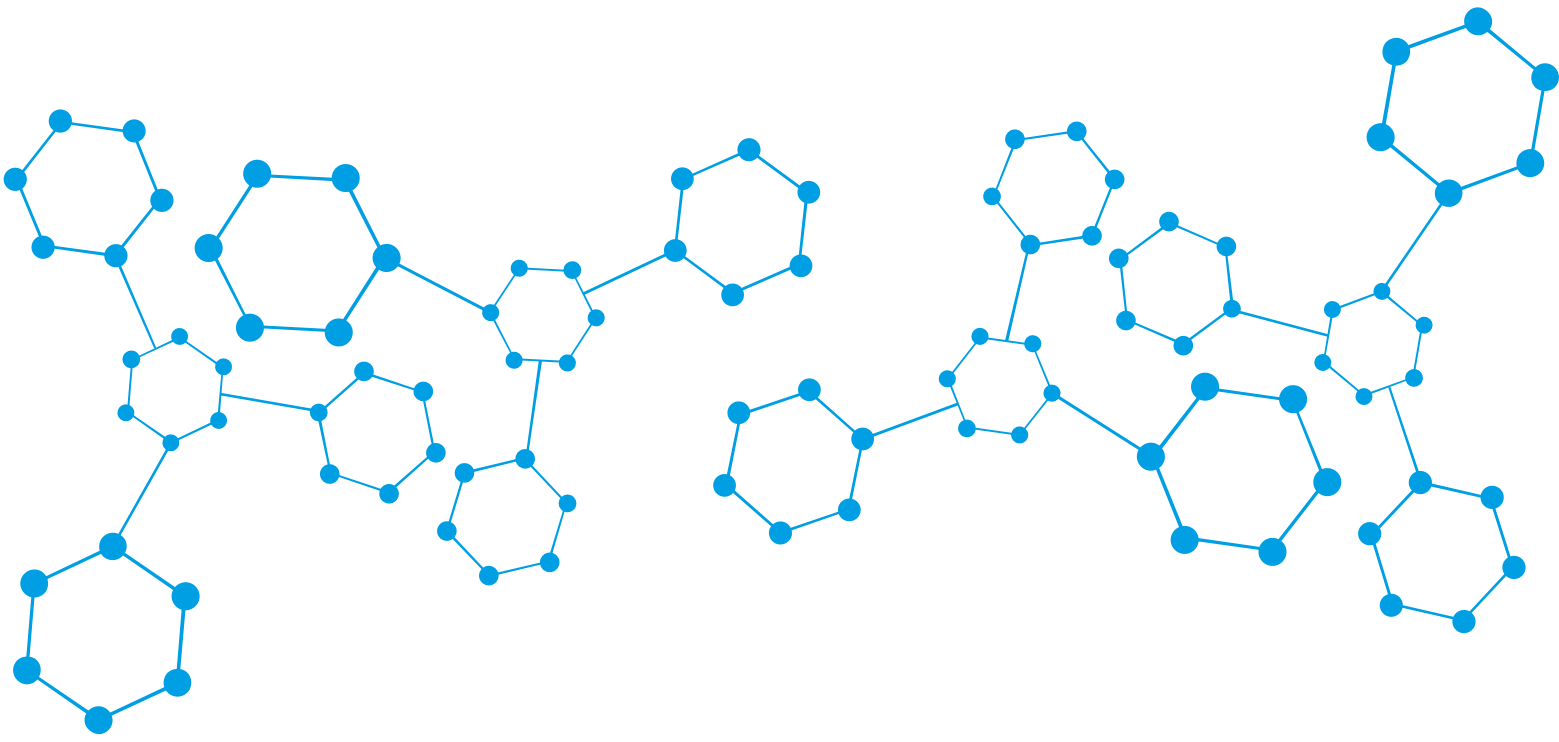


Code: SLS2600/2602 | User Manual



Contents

- 1. About this document.....3
- 2. Use4
- 3. Safety5
- 4. Technical Data 7
- 5. Design and Function10
- 6. Installation and connection.....11
- 7. Operation.....12
- 8. Servicing.....14
- 9. Troubleshooting.....17
- 10. Spare parts and accessories.....19



1 - About this document


1.1. Using the Operating Instructions

The Operating Instructions are part of the pump.

- ▶ Carefully study the Operating Instructions before using a pump.
- ▶ Always keep the Operating Instructions handy in the work area.
- ▶ Pass on the Operating Instructions to the next owner.

1.2. Symbols and Markings

Warning

	<p>A danger warning is located here. Possible consequences of a failure to observe the warning are specified here. The signal word, e.g. Warning, indicates the danger level.</p> <ul style="list-style-type: none"> ▶ Measures for avoiding the danger and its consequences are specified here.
--	---

Warning

Signal word	Meaning	Consequences if not observed
DANGER	Warns of immediate danger	Death or serious injuries and/or serious damage are the consequence.
WARNING	Warns of immediate danger	Death or serious injuries and/or serious damage are possible.
CAUTION	Warns of a possibly dangerous situation	Minor injuries or damage are possible.

Table. 1

Other information and symbols

- ▶ An activity to be carried out (a step) is specified here.

1. The first step of an activity to be carried out is specified here.
Additional, consecutively numbered steps follow.

i This symbol refers to important information.

2 · Use

2.1. Proper use

The pumps are exclusively intended for transferring gases and vapours.

Owner's responsibility

Operating parameters
and conditions

Only install and operate the pumps under the operating parameters and conditions described in chapter 4, Technical data.

Make sure that the installation location is dry and the pump is protected against rain, splash, hose and drip water.

Requirements for
transferred medium

Before using a medium, check whether the medium can be transferred danger-free in the specific application case.

Before using a medium, check the compatibility of the materials of the pump head, diaphragm and valves with the medium.

Only transfer gases which remain stable under the pressures and temperatures occurring in the pump.

Accessories

Laboratory equipment or additional components connected to a pump have to be suitable for use with the pneumatic capabilities of the pump.

2.2. Improper use

The pumps may not be operated in an explosive atmosphere.

The pumps are not suitable for transferring dusts.

The pumps are not suitable for transferring liquids.

The pumps must not be used to create vacuum and overpressure simultaneously.

An overpressure must not be applied to the suction side of the pump.

3 - Safety

i Note the safety precautions in chapters 6. *Installation and connection*, and 7. *Operation*.

The pumps are built according to the generally recognized rules of technology and in accordance with the occupational safety and accident prevention regulations. Nevertheless, dangers can result during their use which lead to injuries to the user or others, or to damage to the pump or other property.

Only use the pumps when they are in a good technical and proper working order, in accordance with their intended use, observing the safety advice within the operating instructions, at all times.

Personnel

Make sure that only trained and instructed personnel or specially trained personnel work on the pumps. This especially applies to assembly, connection and servicing work.

Make sure that the personnel has read and understood the operating instructions, and in particular the "Safety" chapter.

Working in a safety conscious manner

Observe the accident prevention and safety regulations when performing any work on the pump and during operation.

Do not expose any part of your body to the vacuum.

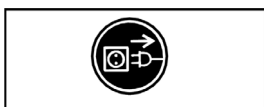


Fig. 1: Notice sticker

Open housing parts with notice sticker (see fig. 1) only after separating mains plug from power source.

Handling dangerous media

When transferring dangerous media, observe the safety regulations when handling these media.

Handling flammable media

Be aware that the pumps are not designed to be explosion-proof. Make sure the temperature of the medium is always sufficiently below the ignition temperature of the medium, to avoid ignition or explosion. This also applies for unusual operational situations. Note that the temperature of the medium increases when the pump compresses the medium.

Hence, make sure the temperature of the medium is sufficiently below the ignition temperature of the medium, even when it is compressed to the maximum permissible operating pressure of the pump. The maximum permissible operating pressure of the pump is stated in the technical specifications (see chapter 4).

If necessary, consider any external sources of energy, such as radiation, that may add heat to the medium.

Environmental protection

In case of doubt, consult the SLS customer service.

Store all replacement parts in a protected manner and dispose of them properly in accordance with the applicable environmental protection regulations. Observe the respective national and international regulations. This especially applies to parts contaminated with toxic substances.

Standards The pumps conform to the Directive 2011/65/EU (RoHS2).
The pumps conform to the safety regulations of the Directive 2014/30/EU concerning Electromagnetic Compatibility and the Directive 2006/42/EC concerning Machinery.

The following harmonized standards have been used:

- DIN EN 61010-1
- DIN EN 61000-3-2/3
- DIN EN 55014-1/2
- DIN EN 50581
- DIN EN 1012-2
- DIN EN ISO 12100

The pumps correspond to IEC 664:

- the overvoltage category II
- the pollution degree 2

4 · Technical Data

i All pumps are secured against overheating with thermal switches and are equipped with a mains fuse.

Pump materials

SLS2600

Component	Pump material
Pump head	PPS
Diaphragm	EPDM
Valve plates/sealings	FPM

Table. 2

SLS2602

Component	Pump material
Pump head	PPS
Diaphragm	PTFE-coated
Valve plates/sealings	FFPM

Table. 3

i Refer to the type plate for the pump's electrical configuration.

SLS2600

Pneumatic performance			
Max. permissible operating pressure [bar g]	2.4		
Ultimate vacuum [mbar abs.]	100		
Delivery rate at atm. pressure [l/min]*	6.0		
Pneumatic connections			
Hose connection [mm]	ID 4		
Ambient and media temperature			
Permissible ambient temperature	+ 5 °C to + 40 °C		
Permissible media temperature	+ 5 °C to + 40 °C		
Other parameters			
Weight [kg]	1.9		
Dimensions: L x H x W [mm]	164 x 141 x 90		
Maximum permissible ambient relative humidity	80% for temperatures up to 31 °C, decreasing linearly to 50 % at 40 °C		
Max. altitude of site [m above sea level]	2000		
Electrical Data			
Voltage [V]	100	115	230
Frequency [Hz]	50/60	60	50
Max. operating current [A]	1.8	1.1	0.65
Power consumption pump [W]	60	55	60
Maximum permitted mains voltage fluctuations	+/- 10 %	+/- 10 %	+/- 10 %
Fuse pump** (2x) T [A]	3.15	3.15	1.0
Protection class motor	IP20		

Table. 4

*Liters in standard state (1,013 mbar)

** For spare part-No. see chapter 10

SLS2602

Pneumatic performance			
Max. permissible operating pressure [bar g]	2.5		
Ultimate vacuum [mbar abs.]	160		
Delivery rate at atm. pressure [l/min]*	5.5		
Pneumatic connections			
Hose connection [mm]	ID 4		
Ambient and media temperature			
Permissible ambient temperature	+ 5 °C to + 40 °C		
Permissible media temperature	+ 5 °C to + 40 °C		
Other parameters			
Weight [kg]	1.9		
Dimensions: L x H x W [mm]	164 x 141 x 90		
Maximum permissible ambient relative humidity	80% for temperatures up to 31 °C, decreasing linearly to 50 % at 40 °C		
Max. altitude of site [m above sea level]	2000		
Electrical Data			
Voltage [V]	100	115	230
Frequency [Hz]	50/60	60	50
Max. operating current [A]	1.8	1.1	0.65
Power consumption pump [W]	60	55	60
Maximum permitted mains voltage fluctuations	+/- 10 %	+/- 10 %	+/- 10 %
Fuse pump** (2x) T [A]	3.15	3.15	1.0
Protection class motor	IP20		

Table. 5

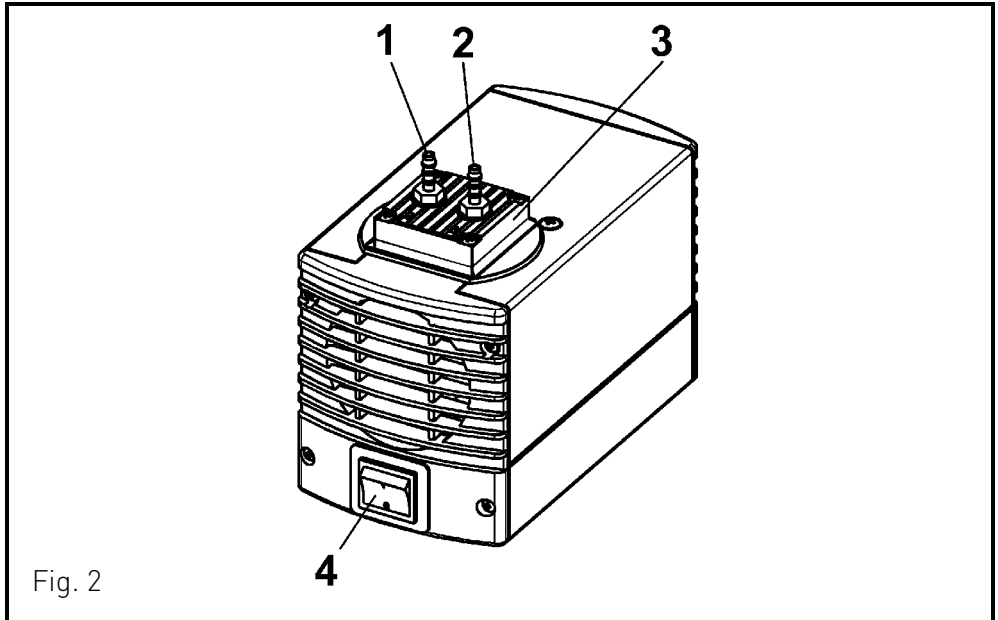
*Liters in standard state (1,013 mbar)

** For spare part-No. see chapter 10

5 · Design and Function

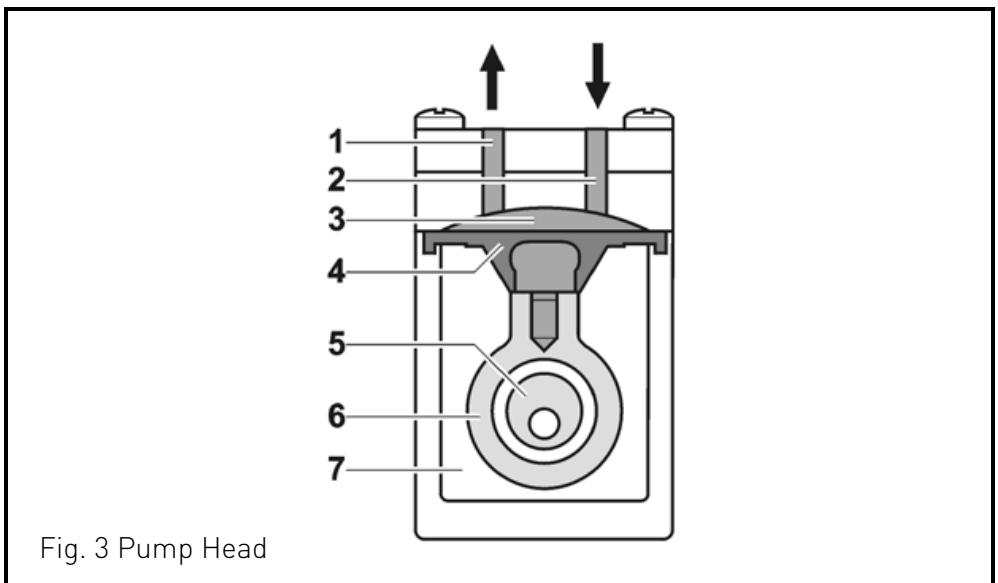
SLS2600/2602

- 1 Outlet (pressure side)
- 2 Inlet (suction side)
- 3 Pump head
- 4 Power switch



Function Diaphragm Pump

- 1 Outlet valve
- 2 Inlet valve
- 3 Transfer chamber
- 4 Diaphragm
- 5 Eccentric
- 6 Connecting rod
- 7 Pump drive



Diaphragm pumps transfer, compress (depending on pump version) and evacuate gases and vapours.

The elastic diaphragm (4) is moved up and down by the eccentric (5) and the connecting rod (6). In the downward stroke it aspirates the gas to be transferred via the inlet valve (2). In the upward stroke, the diaphragm presses the medium out of the pump head via the outlet valve (1). The transfer chamber (3) is hermetically separated from the pump drive (7) by the diaphragm.

6 · Installation and connection

Only install and operate the pumps under the operating parameters and conditions described in chapter 4, Technical data.

Observe the safety precautions (see chapter 3).

6.1. Installation

- ▶ Before installation, store the pump at the installation location to bring it up to room temperature.
- ▶ See chapter 4, Technical data, for the dimensions of pump.
- ▶ Install the pump so that the motor fan can intake sufficient cooling air.
- ▶ Make sure that the installation location is dry and the pump is protected against rain, splash, hose and drip water.
- ▶ Choose a safe location (flat surface) for the pump.
- ▶ Protect the pump from dust.
- ▶ Protect the pump from vibration and jolt.

6.2. Connection

- ▶ Only connect components to the pump which are designed for the pneumatic data of the pump (see chapter 4).
 - ▶ If the pump is used as a vacuum pump, safely discharge the pump exhaust at the pump's pneumatic outlet.
- i** A marking on the pump head shows the direction of flow.
1. Remove the protective plugs from the pneumatic connectors of the pump.
 2. Mount accessory parts filter or silencer (if present).
- i** If the pump is used as a vacuum pump, mount a silencer at the pressure side if necessary. If the pump is used as compressor, mount a filter at the suction side if necessary.
- Before mounting the filter or silencer, unscrew the corresponding hose connector from the threads in the pump head.
3. Connect the suction line and pressure line.
 4. Lay the suction and pressure line at a downward angle to prevent condensate from running into the pump.
 5. Insert the power cable's plug into a properly installed shockproof socket.

7 · Operation

7.1. Installation

Before switching on the pump, observe the following points:

	Operational requirements
Pump	All hoses attached properly
	Fan openings not blocked
	Specifications of the power supply correspond with the data on the pump's type plate.
	The pump outlet is not closed or constricted.

Table. 6

7.2. Starting

- ▶ Only operate the pump under the operating parameters and conditions described in chapter 4, Technical data.
- ▶ Make sure the pump is used properly (see chapter 2.1).
- ▶ Make sure the pump is not used improperly (see chapter 2.2).
- ▶ Observe the safety precautions (see chapter 3).



Hazard of the pump head bursting due to excessive pressure increase

- ▶ Do not exceed max. permissible operating pressure (see chapter 4).
- ▶ Monitor pressure during operation.
- ▶ If the pressure exceeds the maximum permissible operating pressure, immediately shut down pump and eliminate fault (see chapter 9. Troubleshooting).
- ▶ Only throttle or regulate the air or gas quantity in the suction line to prevent the maximum permissible operating pressure from being exceeded.
- ▶ If the air or gas quantity in the pressure line is throttled or regulated, make sure that the maximum permissible operating pressure of the pump is not exceeded.

i Excessive pressure (with all of the related hazards) can be prevented by placing a bypass line with a pressure-relief valve between the pressure and suction side of the pump. For further information, contact your SLS technical adviser.

- Pump standstill
- ▶ With the pump at a standstill, open pressure and suction lines to normal atmospheric pressure.



Automatic starting can cause personal injury and pump damage

When the operation of the pump is interrupted by the thermal switch, the pump will restart automatically after cooling down.

- ▶ After triggering of the thermal protection or in the event of power failure, remove the pump's mains plug from the socket so that the pump cannot start uncontrollably.
- ▶ Attempt work on the pump only if the pump is separated from mains power.

7.3. Switching pump on and off

Switching pump on

i The pump may not start up against pressure or vacuum during switch-on. This also applies in operation following a brief power failure. If a pump starts against pressure or vacuum, it may block. This activates the thermal switch, and the pump switches off.

- ▶ Make sure that no vacuum or pressure is present in the lines during switch-on.
- ▶ Switch on pump with mains switch (see fig. 2).

Switching off the pump/removing from operation

- ▶ When transferring aggressive media, flush the pump prior to switch-off to increase the service life of the diaphragm (see chapter 8.2.1).
- ▶ Switch off pump with mains switch (see fig. 2).
- ▶ Open pressure and suction lines to normal atmospheric pressure.
- ▶ Disconnect the power source.

8 - Servicing

8.1. Servicing Schedule

Component	Servicing interval
Pump	Regular inspection for external damage or leaks
Filter (Accessory)	Replace if it is dirty
Diaphragm and valve plates/sealings (valve plates)	Replace at the latest, when pump output decreases

Table. 7

8.2. Cleaning

i When cleaning, make sure that no liquids enter the inside of the housing.

8.2.1. Flushing Pump

▶ Before switching off the pump, flush it with air (if necessary for safety reasons: with an inert gas) for about five minutes under atmospheric conditions (ambient pressure).

8.2.2. Cleaning Pump

- ▶ As far as possible, clean the parts with a dry cloth.
- ▶ Only use solvents for cleaning if the head materials cannot be attacked (check the resistance of the material!).
- ▶ If compressed air is available, blow out the components.

8.3. Changing Diaphragm and Valves

- Conditions
- ▶ Pump is switched off and mains plug is removed from the socket
 - ▶ Pump is clean and free of hazardous materials
 - ▶ Tubes removed from pump's pneumatic inlet and outlet

Spare part/tool

Spare part/tool
Service Set (according to chapter 10)
Philips-head screwdriver No. 1
Small screwdriver, blade width 0.5 mm
Pencil

Table. 8

- Information on procedure
- ▶ Always replace diaphragm and valve plates together to maintain the pump performance.



Health hazard due to dangerous substances in the pump!
Depending on the substance transferred, caustic burns or poisoning are possible.

- ▶ Wear protective clothing if necessary, e.g. protective gloves.
- ▶ Flush pump before replacing the diaphragm and valve plates (see chapter 8.2.1).

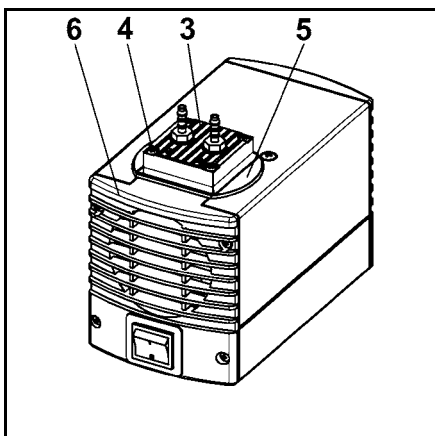


Fig. 4 Removing pump head

Removing pump head

1. Mark the position of head plate (Fig. 4 (3), cover (5) and cover plate (6) by a drawing line with a pencil. This helps to avoid incorrect assembly later.
2. Undo the 4 screws (4) in the head plate (3) and lift the head plate together with cover (5) off the pump housing.
3. Mark the position of intermediate plate (fig. 5 (2) and housing (1) relative to each other by a drawing line with a pencil.
4. Lift intermediate plate (2) off the housing (1).

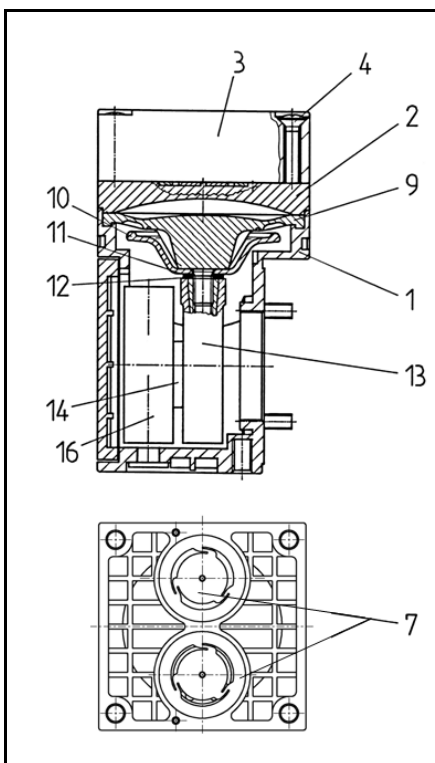


Fig. 5 Pump Head

Change diaphragm

1. Using a small screwdriver, between the housing (1) and the outer edge of the diaphragm (9), carefully lever the edge of the diaphragm lightly upwards
2. Grip the diaphragm (9) on opposite sides, unscrew it about two turns (anti-clockwise).
3. Hold the pump with one hand, so that the head is pointing downwards. Turn the diaphragm (9) anti-clockwise to unscrew it.
4. Take the diaphragm support (10) and diaphragm spacer(s) (11) off the threaded portion of the diaphragm (9) and retain them.
5. Check that all parts are free from dirt and clean them if necessary (see chapter 6. Cleaning).
6. Put the diaphragm support (10) and diaphragm spacer(s) (11), in that order, on the threaded portion of the new diaphragm (9).
7. Screw the new diaphragm (9) complete with diaphragm support (10) and diaphragm spacer(s) (11) into the connecting rod (clockwise) and tighten it by hand.

Changing the valve plates/sealings

1. Remove the valve plates/sealings (fig. 4 (7)) from the intermediate plate (2).
2. Check that the valve seats, the head plate (3) and intermediate plate (2) are clean. If scratches or distortion are evident on these parts they should be replaced.
3. Lay the new valve plates/sealings (7) in the recesses in the intermediate plate (2). The valve plates/sealings for suction and pressure sides are identical, as are upper and lower sides of the valve plates/sealings.
4. Check that the valve plates/sealings (7) are not deformed by moving them gently sideways in their recesses.
5. Dispose of the old diaphragm and valve plates/sealings properly.

Refitting pump head

1. Place the intermediate plate (2), with valve plates/sealings (7) on the housing, in the position indicated by the drawing line.
2. Place the head plate (3) with cover (fig. 4 (5)) on the housing (fig. 5 (1)), in the position indicated by the drawing line.
3. Check that the head plate (3) is centred by moving it gently sideways.
4. Tighten the screws (4), evenly and diagonally, first gently, then firmly.

Final steps

1. Reconnect suction and pressure line to the pump.
2. Reconnect the pump to the electricity supply.

If you have any question about servicing call your SLS technical adviser (see last page for contact telephone number).

9 - Troubleshooting



Extreme danger from electrical shock!

- ▶ Disconnect the pump power supply before working on the pump.
- ▶ Make sure the pump is de-energized and secure.

- ▶ Check the pump (see Tab. 9 to 12).

Pump produces no flow	
Cause	Fault remedy
No voltage in the power source	▶ Check room fuse and switch on if necessary.
Thermal switch has operated following to over-heating.	▶ Disconnect pump from mains. ▶ Allow pump to cool. ▶ Trace cause of over-heating and eliminate it.
Connections or lines blocked.	▶ Check connections and lines. ▶ Remove blockage.
External valve is closed or filter is clogged.	▶ Check external valves and filters.
Condensate has collected in pump head.	▶ Detach the condensate source from the pump. ▶ Flush pump (see chapter 8.2.1).
Diaphragm or valve plates/sealings (valve plates) are worn.	▶ Replace diaphragm and valve plates/sealings (valve plates) (see chapter 8.3).

Table. 9

Flow rate, pressure or vacuum too low The pump does not achieve the output specified in the Technical data or the data sheet.	
Cause	Fault remedy
Condensate has collected in pump head.	▶ Detach the condensate source from the pump. ▶ Flush pump (see chapter 8.2.1).
There is gauge pressure on pressure side and at the same time vacuum or a pressure above atmospheric pressure on suction side.	▶ Change the pressure conditions.
Pneumatic lines or connection parts have an insufficient cross section.	▶ Disconnect pump from system to determine output values. ▶ Eliminate throttling (e.g. valve) if necessary. ▶ Use lines or connection parts with larger cross section if necessary.
Leaks occur on connections, lines or pump head.	▶ Check that tubes sit correctly on hose nozzles. ▶ Replace leaky tubes. ▶ Eliminate leaks.

Flow rate, pressure or vacuum too low	
The pump does not achieve the output specified in the Technical data or the data sheet.	
Cause	Fault remedy
Connections or lines completely or partially jammed.	<ul style="list-style-type: none"> ▶ Check connections and lines. ▶ Remove the jamming parts and particles.
Head parts are soiled.	<ul style="list-style-type: none"> ▶ Change the pressure conditions.
Diaphragm or valve plates/sealings (valve plates) are worn.	<ul style="list-style-type: none"> ▶ Replace diaphragm and valve plates/sealings, (valve plates) (see chapter 8.3).
After diaphragm and valve plates/sealings (valve plates) have been replaced.	<ul style="list-style-type: none"> ▶ Check that the spacers have been replaced onto the diaphragm screw thread. ▶ Check head connection and hose connections for leaks. ▶ Possibly carefully tighten the outer screws of the top plate crosswise.

Table. 10

Pump is switched on, but does not run, the on/off-switch on the pump is not lit	
Cause	Fault remedy
Pump is not connected with the power source.	<ul style="list-style-type: none"> ▶ Connect pump to mains power.
No voltage in the power source.	<ul style="list-style-type: none"> ▶ Check room fuse and switch on if necessary.
Fuse in the pump is defective.	<ul style="list-style-type: none"> ▶ Remove pump's mains plug from the socket. ▶ Loosen marked lid on underside of the pump. ▶ Select and replace suitable fuse (see chapter 4).

Table. 11

Pump is switched on, but does not run, the on/off-switch on the pump is lit	
Cause	Fault remedy
The thermal switch has opened due to overheating	<ul style="list-style-type: none"> ▶ Remove pump's mains plug from the socket. ▶ Allow pump to cool. ▶ Trace cause of over-heating and eliminate it.

Table. 12

10 · Spare parts and accessories

10.1. Spare parts

A Service Set contains all spare parts needed for one complete service.

► For pump range SLS2600/2602:

1 diaphragm, 2 valve plates/sealings.

Service Set for pump type:	Order-No.:
SLS2600	043241
SLS2602	043242

Table. 13

Fuses

Each pump contains two fuses.

Pump range	Order-No. fuse (1 piece)
SLS2600/2602 – 230V	025250
SLS2600/2602 – 115V	020085
SLS2600/2602 – 100V	020085

Table. 14

10.1. Accessories

Description	Order-No.:
Silencer	000345
Filter	000346
Hose connector PVDF	025671

Table. 15

SLS Lab Basics Mini Vacuum Pumps



To book your service or for further information
please contact us...

Email:

servicecentre@scientific-labs.com

Telephone:

0115 977 5075

Scientific Laboratory Supplies Ltd
Wilford Industrial Estate
Ruddington Lane
Wilford
Nottingham
NG11 7EP



Website:

www.scientificlabs.co.uk/servicecentre

United Kingdom:
slsinfo@scientific-labs.com

International:
slsexport@scientific-labs.com

Northern Ireland:
NI.sales@scientific-labs.com

Republic of Ireland:
ROI.sales@scientific-labs.com

