

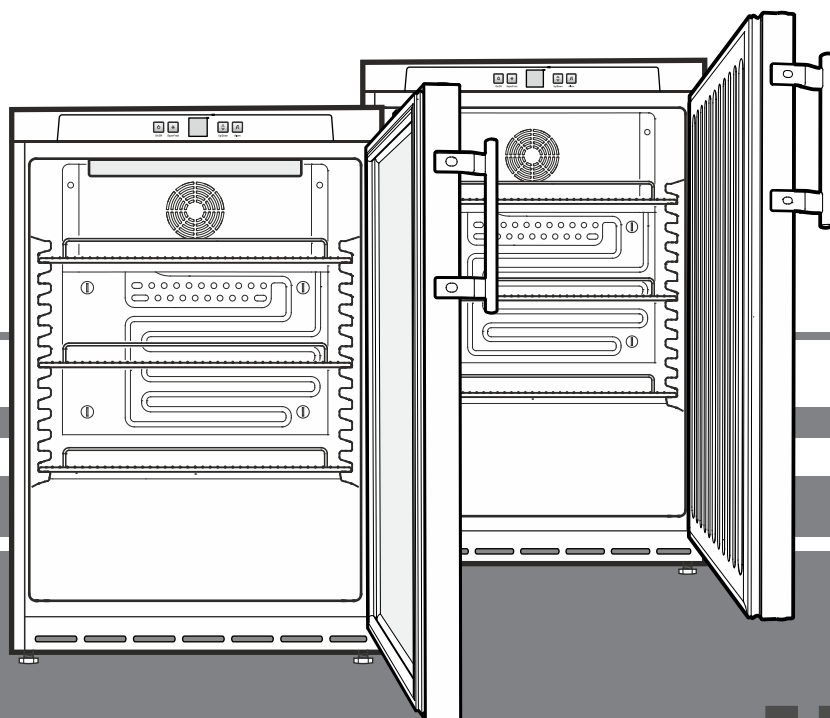
Original operating instructions

Beverage cooler

Read the operating instructions before switching on for the first time

Page 12

EN



FKUv 1610
FKUv 1613
FKUv 1660
FKUv 1663

7083 164-01

LIEBHERR

Content

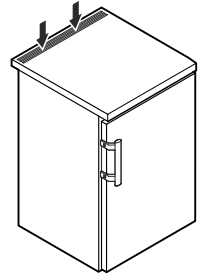
Priority of warnings.....	12
Safety instructions and warnings	12
Symbols on the appliance	13
Intended use.....	13
Foreseeable incorrect use.....	13
Declaration of conformity	13
Noise emissions from the appliance	13
EPREL database	13
Climate class	14
Description of the appliance.....	14
Setting up	14
Electrical connection.....	14
Installation dimensions (mm).....	15
Levelling the appliance.....	15
Operating and control elements	15
Switching the appliance on and off	15
Setting the temperature.....	16
Door open alarm.....	16
Temperature alarm	16
Setup mode	16
Cooling	17
Humidity function	17
Interior light.....	17
Safety lock.....	17
Cleaning	17
Shutting your appliance down	17
Malfunctions.....	18
Disposal notes.....	18
Additional information:.....	18
Changing over door hinges	19

Priority of warnings

⚠ DANGER	identifies a situation involving direct danger which, if not obviated, may result in death or severe bodily injury.
⚠ WARNING	identifies a dangerous situation which, if not obviated, may result in death or severe bodily injury.
⚠ CAUTION	identifies a dangerous situation which, if not obviated, may result in minor or medium bodily injury.
NOTICE	identifies a dangerous situation which, if not obviated, may result in damage to property.
Note	identifies useful information and tips.

Safety instructions and warnings

- **WARNING:** do not seal ventilation openings on the appliance housing or enclosure. →



- **WARNING:** only use the mechanical devices or other aids recommended by the manufacturer to help speed up the defrosting process.

- **WARNING:** do not damage the refrigerant circuit.

- **WARNING:** do not use any electrical devices in the refrigerator compartment which do not comply with the design recommended by the manufacturer.

- **WARNING:** the mains cable must not be damaged while installing the appliance.

- **WARNING:** multi-sockets or distributor strips and other electronic devices (such as halogen transformers) must not be positioned and operated at the rear of appliances.

- **WARNING:** danger of injury through electric shock. There are live parts under the cover. Only have the interior LED light replaced or repaired by customer service staff or trained personnel.

- **WARNING:** risk of injury from the LED lamp. The light intensity of the LED light complies with laser class RG 2. If the cover is defective, do not look directly at the light through optical lenses from close distance. This may damage your eyes.

- **WARNING:** this appliance must be secured as described in the operating instructions to rule out any potential risks due to its instability.

- This appliance can be used by children of 8 years old and over, and also by persons with restricted physical, sensory or mental capacity or lack of experience and knowledge, if they are supervised or have been instructed on safe use of the appliance and understand the resulting risks. Children must not be allowed to play with the appliance. Cleaning and user maintenance must not be carried out by children without supervision.




- Do not store any explosive substances, such as aerosol containers with flammable propellant gas, inside the appliance.

- To prevent injury and damage to property, the appliance should only be installed by two people.

- After unpacking it, check the appliance for signs of damage. Contact the supplier if it is damaged. Do not connect the appliance to the mains power supply.

- Avoid prolonged skin contact with cold surfaces (e.g. chilled/frozen products). If necessary, take safety action (e.g. gloves).
- All repairs and work on the appliance may only be carried out by customer service personnel or other trained personnel. The same applies to changing the mains power cable.
- Only carry out repair and other work on the appliance when the mains plug has visibly been disconnected.
- Only install, connect and dispose of the appliance as described in these operating instructions.
- In the event of a fault, pull out the plug or switch off the fuse.
- When disconnecting the appliance from the mains, pull on the plug. Do not pull on the cable.
- Ensure that food which has been stored for too long is not consumed. Dispose of food which has been stored for too long properly.
- Do not use the interior LED light to light the room. The interior LED light is only designed to illuminate the interior of the appliance.
- Do not allow naked flames or ignition sources to enter the appliance.
- Alcoholic drinks or other vessels containing alcohol should be sealed tightly for storage.

Symbols on the appliance

	The symbol can be located on the compressor. It refers to the oil in the compressor and indicates the following danger: swallowing or inhaling can be fatal. This is only relevant for recycling. There is no danger in normal operation.
	Warning about flammable substances.
	A sticker to this effect may be applied to the rear of the appliance. It refers to the foampadded panels in the door and/or the housing. This is only relevant for recycling. Do not remove the sticker.

Intended use

This professional refrigeration appliance is designed for storing, presentation and sale of chilled packed food and drink. It may be used for the presentation of packed food and drink in a commercial environment and in retail sales outlets. It is designed for the removal of chilled goods by customers.

The appliance is designed for use in enclosed rooms. All other types of use are not permitted.

Foreseeable incorrect use

Do not use the appliance for the following applications:

- Storage and cooling of medicines, blood plasma, laboratory preparations or similar substances and products subject to the Medical Devices Directive 2007/47/EC.
- Use in potentially explosive atmospheres.
- Use outdoors or in areas where it is exposed to splash water or damp conditions.

Incorrect use of the appliance will result in damaging or spoiling the goods stored in it.

Declaration of conformity

The refrigerant circuit has been tested for leaks. The appliance complies with the relevant safety regulations and EU Directives 2006/42/EG, 2014/30/EU, 2009/125/EG and 2011/65/EU.

Noise emissions from the appliance

The noise level while the appliance is operating is below 70 dB(A) (relative noise level 1 pW).

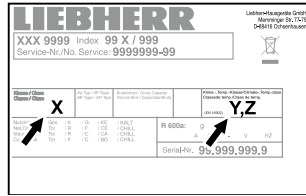
EPREL database

As from 1 March 2021, information about energy labelling and ecodesign requirements will be available in the European product database (EPREL). You can access the product database using the following link: <https://eprel.ec.europa.eu/>. You will be asked to enter the model identifier. You will find the model identifier on the type plate.

Climate class

The climate class [X] specifies the ambient conditions in which the appliance can be operated safely.

The climate class [Y] and temperature class [Z] define the maximum outline conditions in which the appliances will operate perfectly.



The climate rating is indicated on the type plate.

[X] Climate class	Max. room temperature	Max. relative humidity
3	25 °C	60 %
4	30 °C	55 %
5	40 °C	40 %
7	35 °C	75 %

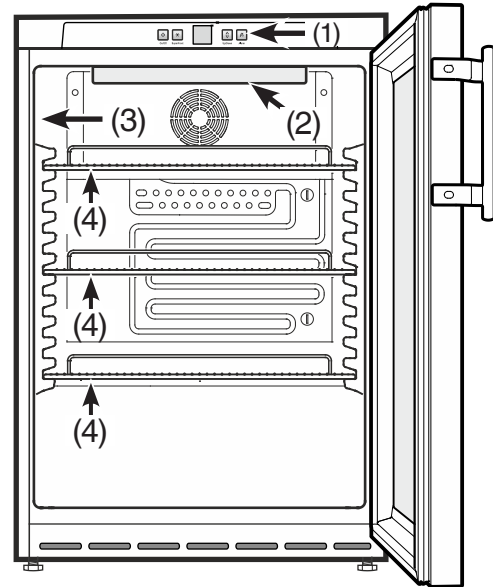
The minimum room temperature at the place of installation is 10°C.

[Y] Climate class	Temperature [°C]	Relative humidity [%]
CC1	25,0	60
CC2	32,2	65
CC3	40,6	75

Recommended temperature setting:

[Z] Temperature class	Temperature setting [°C]
K1	3,5
K2	2,5
K3	-1,0
K4	+5,0

Description of the appliance



- (1) Operating and control elements
- (2) Interior light (LED light strip) (FKUv 1613, FKUv 1663)
- (3) Type plate
- (4) Grid shelves

NOTICE

The maximum load per grid shelf is 45 kg.

Setting up

- Do not place the appliance in direct sunlight or near cookers, radiators and similar sources of heat.
- Do not place heat-emitting appliances, e.g. microwave oven, toaster, etc., on top of the appliance.
- The more coolant there is in the appliance, the larger the room in which the appliance is installed must be. If the room is too small, any leak may create a flammable mixture of gas and air. For each 8 g of coolant the installation space must be at least 1 m³. Information on the coolant is on the model plate inside the appliance.
- Always install the appliance directly against the wall.

Electrical connection

Only operate the appliance with **alternating current (AC)**.

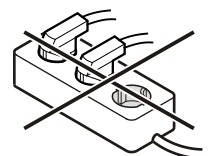
The permissible voltage and frequency are indicated on the type plate. The position of the type plate is shown in the section entitled **Description of the appliance**.

The socket must be properly earthed and protected by a fuse. The tripping current of the fuse must be between 10 A and 16 A.

The socket must not be situated behind the appliance and must be easily accessible.

Do not connect the appliance using an extension cable or extension socket.

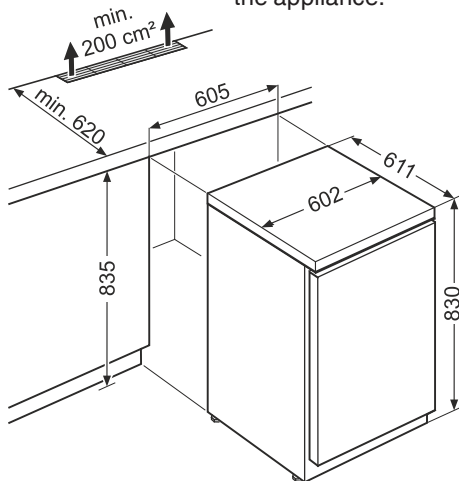
Do not use stand-alone inverters (conversion of direct current to alternating current/three-phase current) or energy-saving plugs. Risk of damage to the electronic control system!



Installation dimensions (mm)

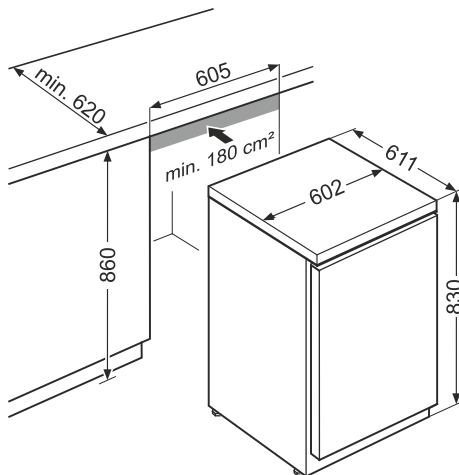
Version 1

A cross-section of **min. 200 cm²** is required in the worktop for ventilation of the rear of the appliance.



Version 2

If no ventilation grille is provided in the worktop, the recess must be **at least 860 mm** high to ensure adequate heat dissipation to the front.

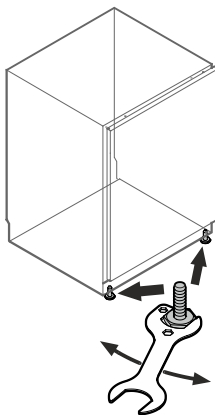


Levelling the appliance

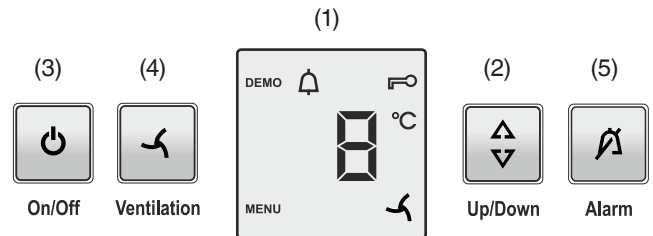
Compensate floor unevenness using the adjustable feet.

NOTICE

The appliance must be aligned horizontally and vertically. If the appliance is not level, the main body of the appliance can be deformed and the door will not close properly.




Operating and control elements



- (1) Temperature display (display)
- (2) Temperature setting button
- (3) On/Off button
- (4) Fan button
- (5) Audible warning on/off button

Symbols in the display

MENU Setup mode is activated (activating the child lock and adjusting the display brightness)

 Alarm (symbol flashes if the temperature inside the appliance is too high)


 Child lock is activated

 Fan ON symbol

DEMO Demo mode is activated

Switching the appliance on and off

Switching the appliance on

Press the **On/Off** button until the temperature display lights up. 

Switching the appliance off

Keep the **On/Off** button pressed for approx. 3 seconds so that the temperature display goes out.

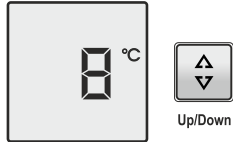
Note

If the On/Off button is held down for a further 3 seconds after the temperature display has gone out, the appliance is switched on again.

Setting the temperature

Press the **Up/Down** button. The temperature display flashes.

Press the **Up/Down** button, the next lower temperature value in the temperature display will light up.



Keep pressing the **Up/Down** button until the desired value is displayed.

Note

The temperature in the warmest area of the interior may be higher than the temperature setting.

If the door is left open for a lengthy period, the temperature in the appliance's compartments may rise dramatically.

Door open alarm

If the door is left open for more than 180 seconds, the audible warning signal will sound.

If the door must be opened for a lengthy period to place items into the appliance, cancel the audible warning signal by pressing the **Alarm** button.



The alarm switches back to standby when the door is shut.

Temperature alarm

If the temperatures in the interior are out of the permitted range, the audible warning signal will sound and the temperature display will flash.

After a lengthy power failure, the temperature in the interior may have risen to too high a level. After the power supply returns, the fall in temperature can be watched on the display.

- Cancel the audible warning signal by pressing the **Alarm** button.

The temperature display will stop flashing as soon as the temperature in the interior has reached the set value.

Temperature alarm after a fault in the appliance

If the appliance develops a fault, the temperature in the interior may rise too high or fall too low. The audible warning signal will sound and the temperature display will flash.

If the temperature displayed is too high (warm), first check whether the door is closed correctly.

If the temperature display continues to show a value that is too high or too low after one hour, contact the customer service department.


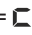
- Cancel the audible warning signal by pressing the **Alarm** button.

Setup mode

In setup mode, you can set the child lock and adjust the brightness of the display.

The child lock is designed to protect the appliance from being switched off and the temperature setting from being changed accidentally.

Activating the child lock

Press  for 5 seconds. Display = 



Press  Display =  |

Press  Display =  

Press  Display =  °C

The child lock is activated.

Deactivating the child lock

Press  for 5 seconds. Display = 



Press  Display =  

Press  Display = 

Press  Display =  °C


The child lock is deactivated.

Adjusting the display brightness

Press  for 5 seconds. Display = 

Press  Display =  h

Press  Display =  |

Press  Adjust to the desired brightness using the **Up/Down** button.

h0 = minimum brightness
h5 = maximum brightness

Press  Display =  h

Press  The adjusted brightness will be activated after one minute.

Note

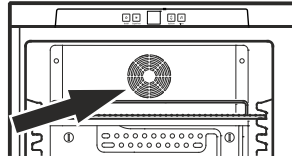
If a button is pressed, the display lights up for one minute at maximum brightness.

When commissioning the appliance, the adjusted brightness will only be active once the set interior temperature of the appliance has been reached.

Cooling

The grid shelves can be moved to accommodate different height bottles or packages.

The ventilation slots on the inside must not be covered!



NOTICE


Store raw meat or fish in clean sealed containers on the bottom shelf of the refrigerator/freezer compartment so that it cannot come into contact with any other food or drip liquid onto it.

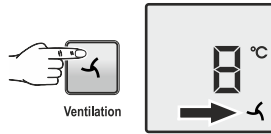
A failure to follow these instructions may result in the food being spoilt.

Humidity function

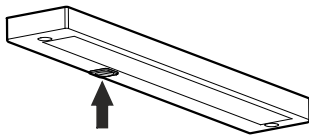
Certain foods must be stored in a humid atmosphere (e.g. baked goods). To prevent such foods from drying out, the humidity function must be activated.

To switch on

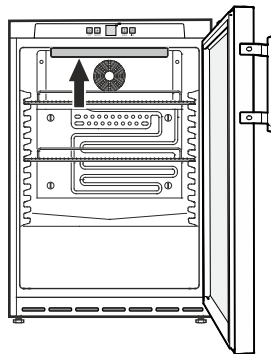
Press the fan button - the symbol  lights up.



Interior light (LED light strip)



Switch on switch, the interior light comes on.



Lighting	
Class ¹	Light source
This product contains a light source that meets energy efficiency rating F	LED
¹ The appliance may contain light sources with different energy efficiency classes. The lowest energy efficiency class is indicated.	

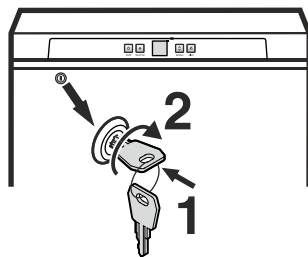
Safety lock

The lock in the appliance door is equipped with a safety mechanism.

Locking the appliance

- Insert the key as shown by arrow 1.
- Turn the key 90°.

To unlock the appliance, the same procedure must be repeated in the same order.



Defrosting

The refrigerator compartment defrosts automatically.

Cleaning

⚠ WARNING

Before cleaning, always disconnect the appliance from the mains. Pull out the plug or switch off the fuse.

Surfaces which may come into contact with food and accessible drain systems must be cleaned at regular intervals.

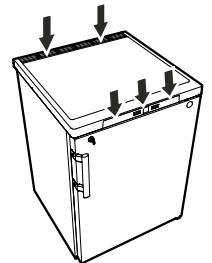
- Clean the inside, equipment parts and outer walls with lukewarm water and a little detergent. Do not use chemical solvents or any cleaning agents containing sand or acid.

⚠ CAUTION

Risk of damage to the appliance components and risk of injury due to hot steam.

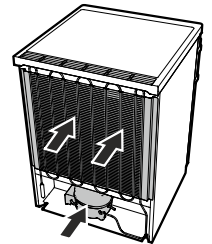
Do not use steam cleaning equipment to clean the appliance.

- Ensure that no cleaning water penetrates into the electrical components or ventilation grille.



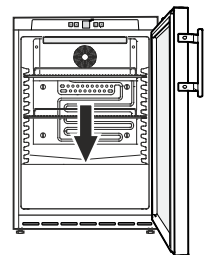
- Dry all parts well with a cloth.

- The dust should be removed from the refrigeration unit and heat exchanger - metal grid at the back of the appliance - once a year.



- Do not damage or remove the type plate on the inside of the appliance. It is very important for servicing purposes.

- Clean the drain hole in the refrigerator compartment with a thin object, e.g. cotton swab or the like.



Shutting your appliance down

If the appliance is left empty for a lengthy period, it must be switched off, defrosted, cleaned and dried and the door is to be left open to prevent mould formation.

Malfunctions

- **F1 or F2 appears in the display.**

- The appliance has suffered a fault. Contact the customer service department.

You may be able to rectify the following faults by checking the possible causes yourself:

- **Appliance does not function:**

- Is the appliance switched on?
- Is the plug correctly fitted in the mains socket?
- Is the fuse intact?

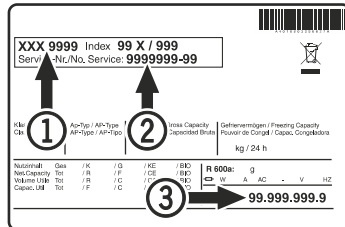
- **When inserting the mains plug, the refrigeration unit does not switch on, but a value is shown in the temperature display.**

- Demo mode is activated.
Contact the customer service department.

- **The temperature is not low enough:**

- Is the temperature setting correct (see "Setting the temperature")?
- Does the separately installed thermometer show the correct reading?
- Is the ventilation system working properly?
- Is the appliance set up too close to a heat source?

If none of the above causes apply and you cannot rectify the fault yourself, contact the nearest customer service department stating the type designation (1), service number (2) and appliance number (3) as indicated on the type plate.



The position of the type plate is shown in the section entitled **Description of the appliance.**

Additional information:

- Food will remain fresh for longer if stored at the correct temperature. This can prevent having to discard food needlessly.
- If the condenser coil is not cleaned every year, it will significantly reduce the appliance's efficiency.
- The period during which spare parts, necessary for the repair of the refrigerating appliance with a direct sales function, are available is 10 years.
- The minimum duration of the guarantee of the refrigerating appliance with a direct sales function offered by the manufacturer, importer or authorised representative is 2 years.

Disposal notes

The appliance contains reusable materials and should be disposed of properly - not simply with unsorted household refuse. Appliances which are no longer needed must be disposed of in a professional and appropriate way, in accordance with the current local regulations and laws.

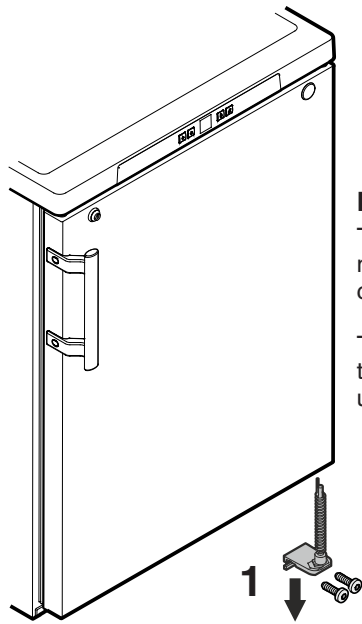


Do not damage the refrigerant circuit of an appliance that is no longer needed during its disposal.

This appliance contains inflammable gases in the refrigerant circuit and insulation foam.

Your local council or a waste disposal contractor can provide information about how to dispose of the appliance correctly.

Changing over door hinges

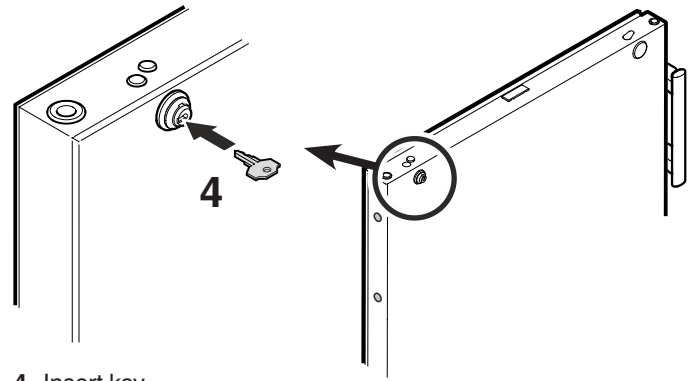


1. Unscrew the hinge bracket.

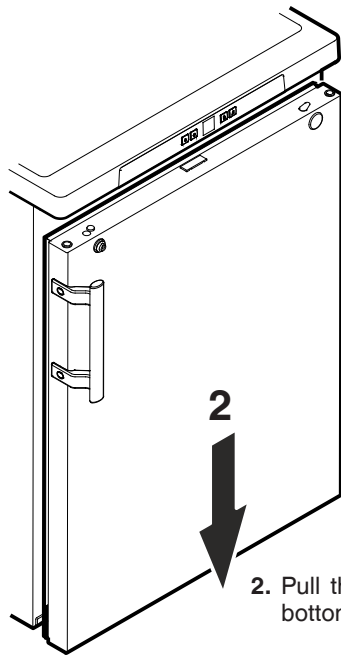
Important

The door mounting has a spring mechanism enabling the door to close by itself.

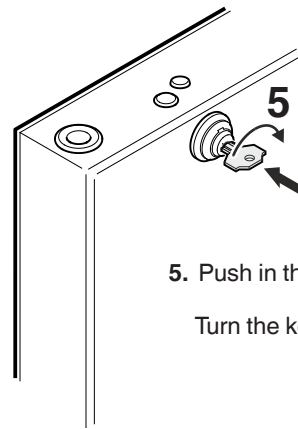
The hinge bracket turns to the left when the screws are undone.



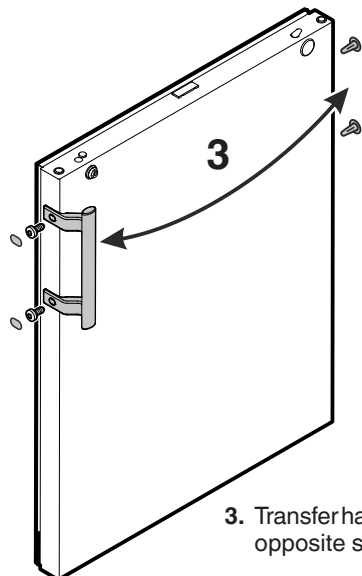
4. Insert key.



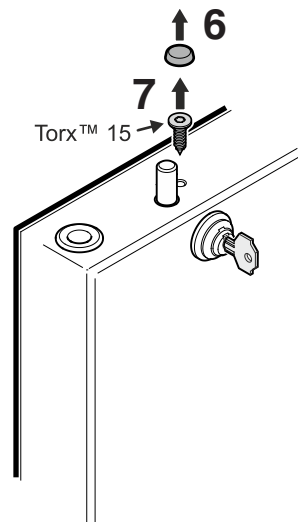
2. Pull the door out at the bottom and lift off.



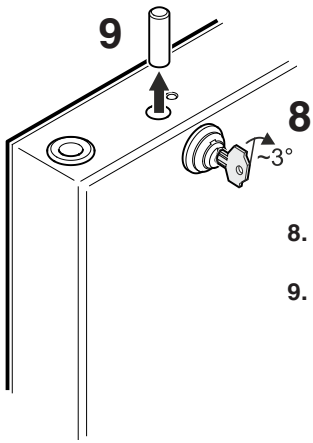
5. Push in the key.
Turn the key 90°.



3. Transfer handle and plugs to the opposite side of the door.

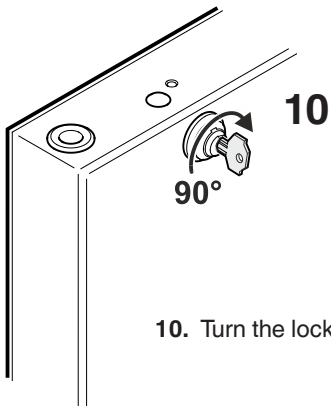


6. Remove cover.
7. Remove screw.

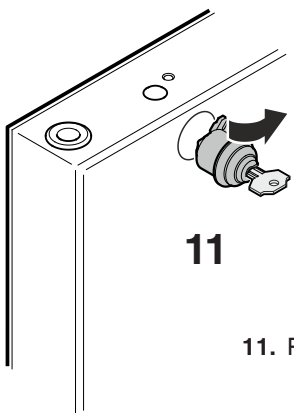


8. Turn the lock approx. 3° clockwise.

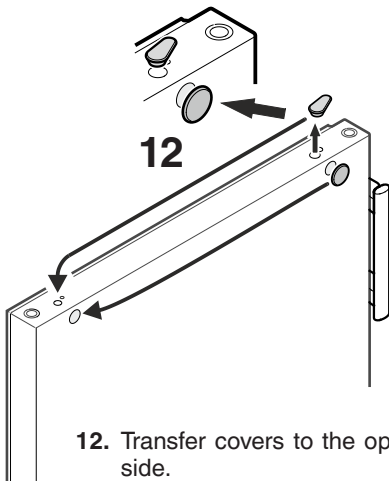
9. Remove pin.



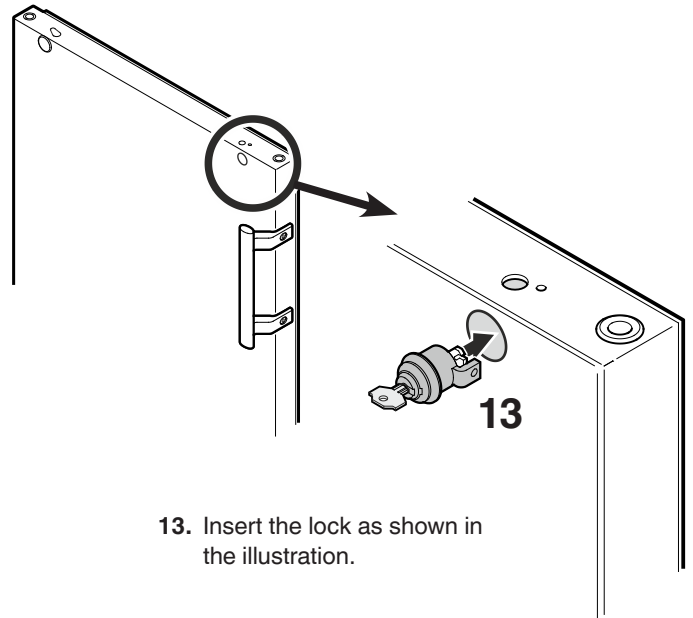
10. Turn the lock 90° clockwise.



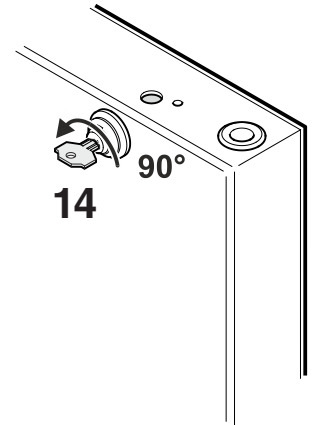
11. Remove lock.



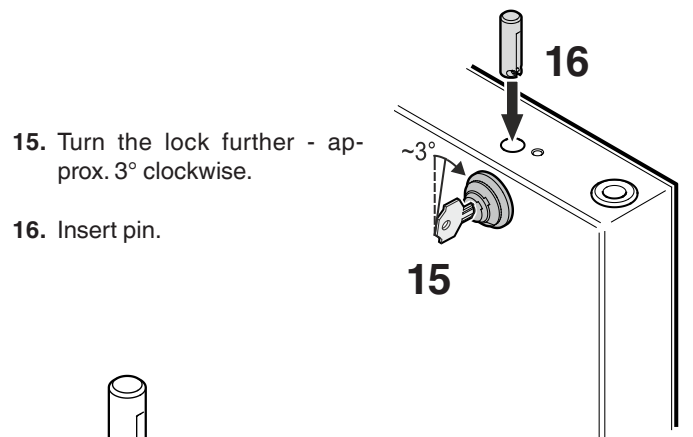
12. Transfer covers to the opposite side.



13. Insert the lock as shown in the illustration.

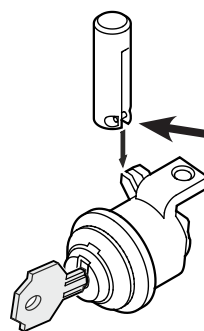


14. Turn back the lock 90° anticlockwise.



15. Turn the lock further - approx. 3° clockwise.

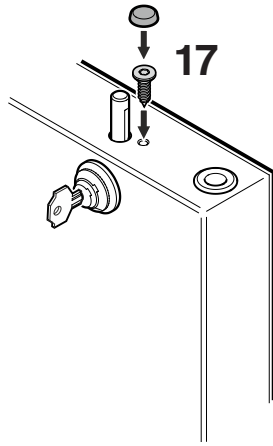
16. Insert pin.



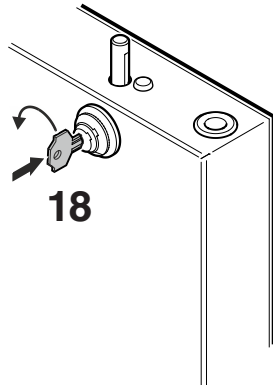
Note on point 16

After insertion, the pin's cross pin must be engaged in the groove of the catch.

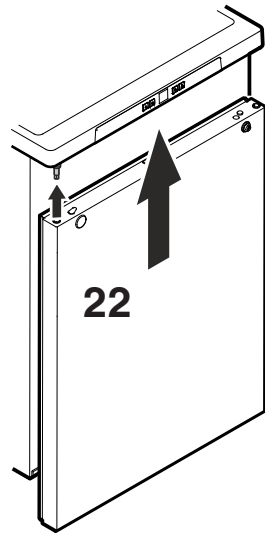
17. Screw in the screw and attach the cover cap.



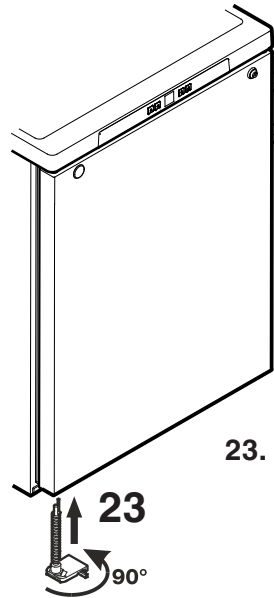
18. Push in the key.
Turn the key 90°.



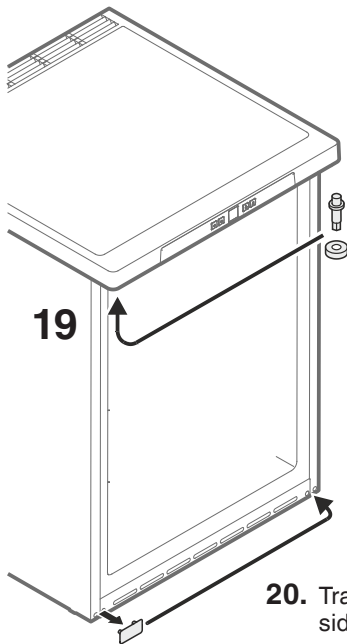
22. Mount door on hinge pin and close.



23. Insert hinge bracket in lower door mounting.
Turn hinge bracket by 90° - spring is compressed. Screw on hinge bracket.



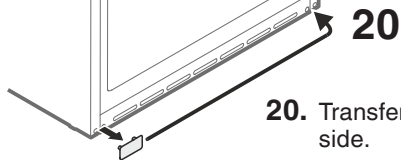
19. Move the pin at the top to the other side.



Adjusting the lateral tilt of the door

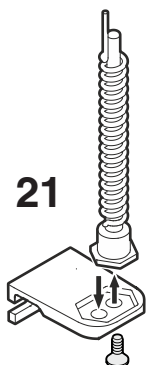
If the door is at an angle, adjust the angle.

20. Transfer cover plate to the opposite side.



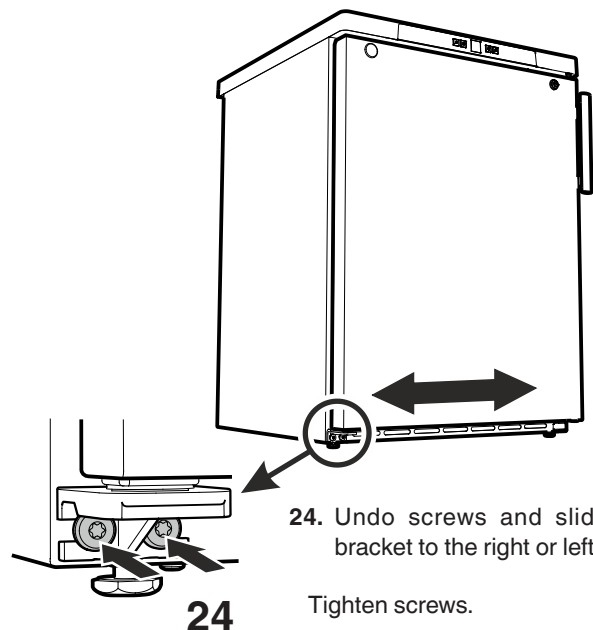
21

21. Transfer pin on hinge bracket to the opposite side.



24. Undo screws and slide hinge bracket to the right or left.

Tighten screws.





Liebherr-Hausgeräte GmbH
Memminger Straße 77-79
88416 Ochsenhausen
Germany
home.liebherr.com

