

ROTO-SHAKE GENIE®

ROTATING, ROCKING AND
ORBITAL SHAKING

OPERATING INSTRUCTIONS

Models SI-I 100 through SI-I 106



70 Orville Drive, Bohemia, NY 11716 U.S.A.
(631) 567-4700 • Fax: (631) 567-5896 • Toll Free: 888-850-6208
Customer Service: custsvc@scientificindustries.com
www.scientificindustries.com

Roto-Shake Genie® Operating Instructions

The Roto-Shake Genie is designed to provide rotating, rocking, and orbital shaking in one compact, durable and user-friendly unit. A magnetic stainless steel platform easily converts from rocking to rotating, and securely holds a non-skid metal rocker tray, various spring-clip mounting plates and bag mounting strips. An optional orbital shaker attachment (3-D or Horizontal) transforms the unit into an orbital shaker. Rotating and rocking speeds can be easily adjusted with the fingertip speed control knob.

APPLICATIONS

The stainless steel platform (200 x 340mm / 8 x 13.5in) is magnetized to securely hold various sample types and sizes. The following attachments are supplied with the Roto-Shake Genie:

- 1 non-skid metal rocker tray (305 x 305mm / 12 x 12in)
- 4 magnetic stainless steel bag mounting strips
- 1 clip plate for 12 each 10-13mm tubes
- 1 clip plate for 6 each 15-17mm tubes
- 1 clip plate for 3 each 28-30mm tubes

Additional attachments are available (listed under "Roto-Shake Genie Accessories") to provide maximum application versatility and can be purchased through most laboratory equipment distributors or visit www.scientificindustries.com.

The Roto-Shake Genie is ideal for mixing or washing of any sample type in life science, chemical, clinical/hospital, food, cosmetic, or environmental laboratories and can withstand temperatures from 0°C to 38°C to allow operation in cold rooms and incubators.

ASSEMBLY INSTRUCTIONS

We recommend that you retain your original packaging for 90 days in case you need to return the product for any reason to your distributor or Scientific Industries. (see "Magnetic Platform Assembly Instructions" provided with the platform for additional detail)

1. Carefully unpack the magnetic platform (Scientific Industries No. 0A-1100-030). The platform is shipped detached from the housing and must first be assembled (see fig. 1). Unscrew the lock shaft (D) from the right side of the housing (E) and remove it from the hole.
2. Affix the platform (B) into the housing with the hex hole (J) facing left, and the lock release (A) facing right, as shown. Rotate the platform to line up the hex shaft (I) with the hex hole and slide it onto the hex shaft.

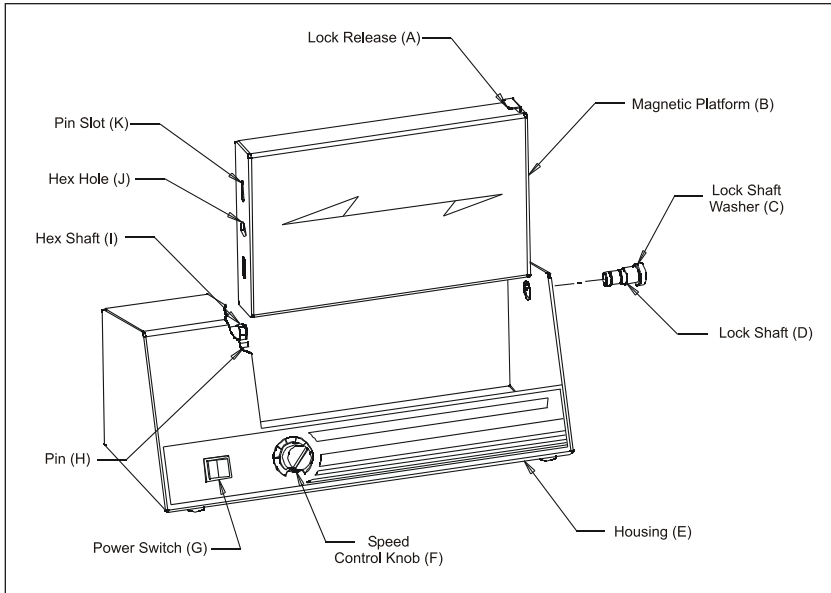


Figure 1

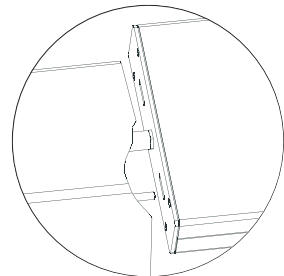
3. Depress and hold the lock release. Slide the lock shaft through the hole in the housing into the platform. Carefully screw the lock shaft fully into place - do not force it. Hand-tighten only. Release the lock release.
4. To remove the magnetic platform assembly (B), press and hold the lock release (A). Unscrew the lock shaft (D) from the right side of the housing (E) and remove it while supporting the right end of the platform. Release the lock release. Slide the platform to the right and rotate it to line up with the hex shaft (I). Slide the platform off of the hex shaft and remove it. The platform may be immersed for cleaning or decontamination. Do not autoclave.

⚠ CAUTION! The Roto-Shake Genie® platform is magnetic. Do not place materials on the platform that will be damaged by strong magnets.

OPERATING INSTRUCTIONS

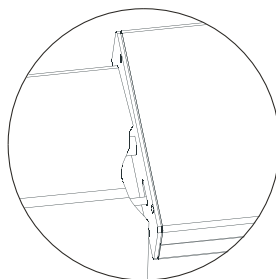
1. Rotating Mode

- a. Press lock release (A).
- b. Shift the magnetic platform (B) to the right.
- c. While shifting the platform right, release the lock release, and line up the hex shaft (I) to engage the lock shaft (D) properly.
- d. The platform will lock in place when it reaches the correct position.



2. Rocking Mode

- a. Press the lock release (A).
- b. Shift the magnetic platform (B) to the left.
- c. While shifting the platform left, release the lock release and rotate the platform to line up the pin (H) with the pin slot (K) in the end of the platform. Shift the platform onto the pin.
- d. The platform will lock in place when it reaches the correct position.



3. Orbital Mode

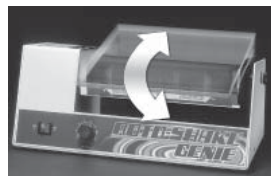
Requires optional orbital shaker attachment (3-D Attachment, SI-1150 or Horizontal Attachment, SI-1175)

- a. Remove magnetic platform (B) and all accessories from the Roto-Shake Genie®.
- b. Place orbital shaker attachment on the Roto-Shake Genie base, aligning the hex shaft (I) with the hex on the pulley of the orbital shaker attachment. Ensure that the base feet are in direct contact with the bottom of the Roto-Shake Genie.

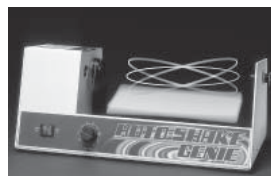
To Load Samples:

1. Both sides of the versatile magnetic platform can be loaded

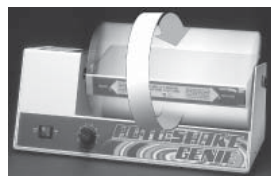
- a. **To rock open vessels (rocking):** Select rocking mode. Center the metal rocker tray on the magnetic platform. Place samples anywhere on the tray. **(NOTE: Metal rocker tray can only be used in rocking mode)**



- b. **To shake/mix open vessels (orbital shaking):** Insert optional orbital shaker attachment. Center sample containers on the platform.



- c. **To rotate or rock bags:** Select mode of operation and secure bags in the desired position using 2 - 4 magnetic stainless steel mounting strips. Additional mounting strips and tray expansion kit are available for higher sample quantities (refer to "Roto-Shake Genie Accessories").




- d. **To rotate or rock tubes:** Select mode of operation and load samples into the appropriate clip plate. Three tube clip plate sizes

are available (one clip plate of each size is supplied with the Roto-Shake Genie). Additional clip plates are available for holding additional tubes (refer to "Roto-Shake Genie Accessories")

Size	Diameter of Tube	Maximum Volume of Tube
Large	28 - 30mm	50ml
Medium	15 - 17mm	15ml
Small	10 - 13mm	1.5 - 2.0ml

NOTE: Clip plates may be aligned at various angles to produce different motions within the tubes. Before operation, rotate the platform to ensure that the tubes will clear the Roto-Shake Genie housing.

2. Turn the speed control knob to the lowest setting and turn the power switch on. The platform will begin to rotate, rock or orbital shake.
3. Select the speed by turning the speed control knob until the desired speed is attained. If using the Roto-Shake Genie in a cold room, allow the unit to acclimate to the room temperature before setting the exact speed.

 **CAUTION! Failure to follow operating instructions can compromise user's safety.**

 **CAUTION! Ensure that the power is off before shifting operating modes.**

 **CAUTION! Ensure that the power is off before removing the magnetic platform assembly.**

CARE AND HANDLING

1. Roto-Shake Genie® and Accessories:

The Roto-Shake Genie should be given the care normally required for any electrical appliance. Avoid wetting or unnecessary exposure to fumes. The surface may be cleaned with most cleaning agents. It cannot and should not be autoclaved. The magnetic platform assembly is stainless steel and can be cleaned with most cleaning agents. It cannot and should not be autoclaved. For thorough cleaning and decontamination, the platform should be removed from the Roto-Shake Genie. The clip plates and mounting strips are made of magnetic stainless steel and can be cleaned with most cleaning agents or autoclaved. The metal rocker tray cannot and should not be autoclaved. Clean up any spills promptly to prevent damage. Replacement parts are available through most laboratory equipment distributors or directly from Scientific Industries.

 **CAUTION! Ensure that the power is off before cleaning the Roto-Shake Genie.**

 **CAUTION! Do not immerse.**

2. Fuses:

The electronics are protected by a quick blow 5 x 20mm Fuse, 0.5 amp for all models.

To replace the fuse, locate the fuse holder on the back of the housing. Insert a screwdriver into the slot in the cap and push in gently while turning ¼ turn counterclockwise. Allow the cap to come off with the fuse. Remove the fuse from the cap and insert the proper replacement fuse. Push the fuse and cap back into the fuse holder and rotate the cap clockwise until it locks in.

 **CAUTION! Replace fuse with the correct type and value only.**

 **CAUTION! Ensure that the power is off before replacing the fuse.**

SPECIFICATIONS

Dimensions (HxWxD):	267 x 508 x 252mm (10.5 x 20.0 x 9.9in)
Depth with Rocker Tray:	305mm (12in)
Weight:	11.8 Kg (26 lb)
Speed:	Rocking - 10-70 cycles per minute Rotating - 5-35 RPM Orbital Shaking - 10-70 RPM (3-D, cat. no. SI-1150) 15-100 RPM (Horizontal, cat. no. SI-1175)
Rocking Angle:	±10 degrees from horizontal
Environmental:	The Roto-Shake Genie® is classified as "Installation Category 2". 0°C (32°F) to 38°C (100°F), 95% maximum relative humidity.
Maximum Load:	4.5 Kg (10 lb)

Standard Accessories:

- 1 clip plate for 12 each 10-13mm tubes
- 1 clip plate for 6 each 15-17mm tubes
- 1 clip plate for 3 each 28-30mm tubes
- 4 magnetic stainless steel bag mounting strips
- 1 non-skid metal rocker tray (305 x 305mm / 12 x 12in)

Additional accessories are available for increased capacity.



Roto-Shake Genie® Accessories

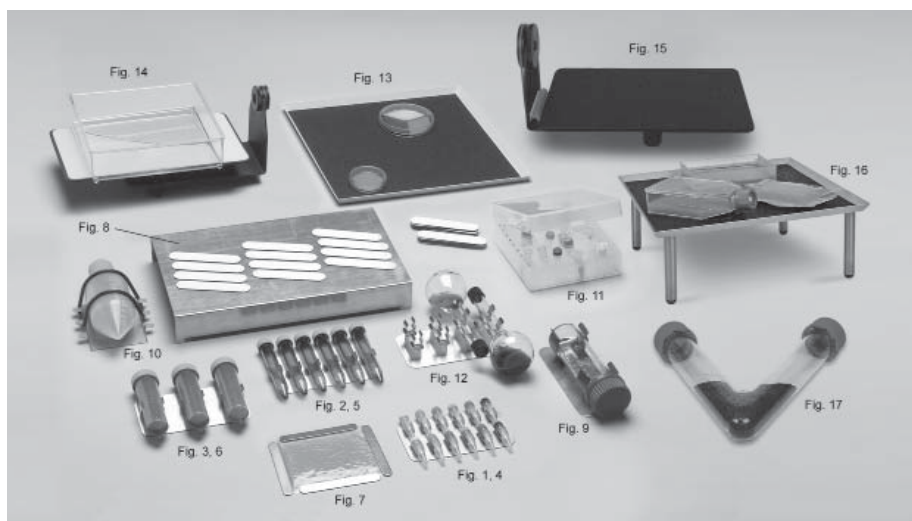
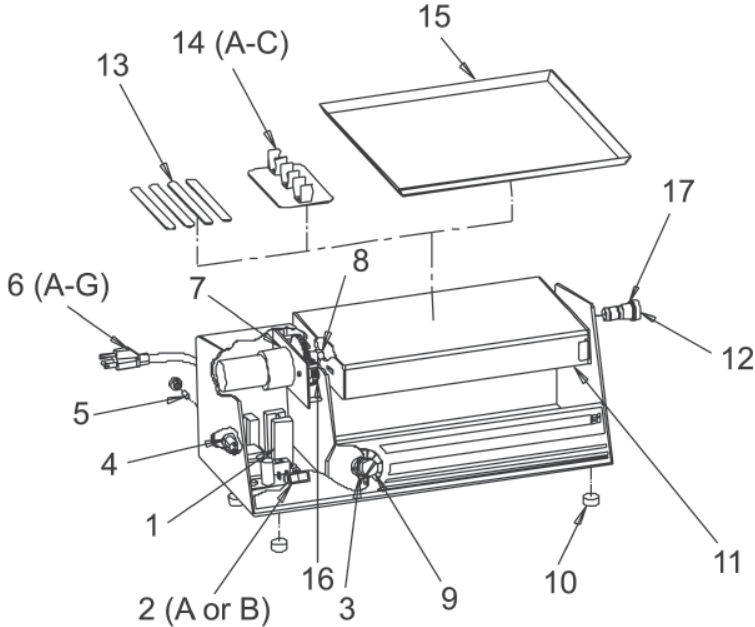


Fig.	Cat. No.	Description
1	SI-1123	1 Clip Plate for 12 each 10-13mm tubes
2	SI-1124	1 Clip Plate for 6 each 15-17mm tubes
3	SI-1125	1 Clip Plate for 3 each 28-30mm tubes
4	SI-1120	6 Clip Plates for 12 each 10-13mm tubes
5	SI-1121	6 Clip Plates for 6 each 15-17mm tubes
6	SI-1122	6 Clip Plates for 3 each 28-30mm tubes
7	SI-1126	Bag Mounting Strips (pack of 16)
8	SI-1127	Expansion Kit - two stainless steel trays, 24 bag mounting strips
9	SI-1130	2 Clip Plates for Hybridization Tubes
10	SI-1134	2 Universal Clip Plates
11	SI-1135	1 Magnetic Covered 100 Microtube Box
12	SI-1136	1 Clip Plate for 100ml Volumetric Flasks
13	0A-1100-070	Non-Skid Tray
14	SI-1150	3-D Orbital Shaker Attachment
15	SI-1175	Horizontal Orbital Shaker Attachment
16	SI-1170	Stackable Tray
17	SI-1137	Dual Port Mixing Tube (*)

ROTO-SHAKE GENIE®

PARTS ASSEMBLY LIST

To order parts for the Roto-Shake Genie:
 Contact your local distributor or visit
www.scientificindustries.com. Please specify
 Part No., quantity and electric voltage.



Indicator No.	Part No.	Description	Indicator No.	Part No.	Description
1	OK-1100-902	Power Supply Board Kit	8	OK-1100-900	Hex Shaft Kit
2A	ESP0001	100, 120V DPST Switch-Red	9	KBP0002	Speed Control Knob
2B	ESP0002	230V DPST Switch-Green	10	HWP0004	Bumper (4)
3	0A-1100-060	5K Potentiometer Assembly	11	0A-1100-030	Roto-Shake Platform Assembly
4	EPP0001	Fuse Holder	12	0M-1100-212	Lock Shaft
5	EFP0001	5mm x 20mm 'F' Fuse .50 amp	13	SI-1126	Magnetic Stainless Steel Bag Strip (Bag of 16)
6A	318-0510-02	Line Cord 120V	14A	SI-1123	Clip Plate 10-13mm dia. Tubes
6B	OK-0286-901	Line Cord 100V	14B	SI-1124	Clip Plate 15-17mm dia. Tubes
6C	OK-0246-901	Line Cord 230V No Plug	14C	SI-1125	Clip Plate 28-30mm dia. Tubes
6D	OK-0256-901	Line Cord 230V European Plug	15	0A-1100-070	Metal Rocker Tray
6E	OK-0266-901	Line Cord 230V British Plug	16	PP-1100-401	Small Gear, 30 T
6F	OK-0276-901	Line Cord 230V Swiss Plug	17	WAP0007	Lock Shaft Washer
6G	ECP0021	Australian Plug (only)			
7	0A-1100-020	Motor Assembly			