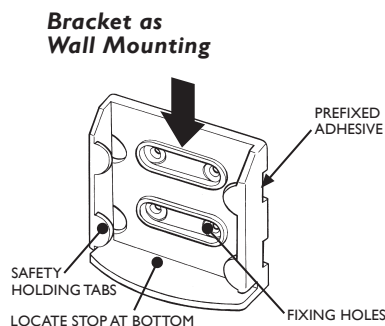


MOUNTING BRACKET FITTING TEMPLATE AND INSTRUCTIONS



CONTENTS
4 x Screws
4 x Wall Plugs

WALL MOUNTING

SEE REVERSE FOR BENCH MOUNTING INSTRUCTIONS

- 1 SELECT A MOUNTING LOCATION
 - The Qlicksmart blade remover is ideally located near the site of scalpel use or clean-up area.
 - For safety in use, mount bracket as near as practical to elbow height.
 - Use this template and dotted guide arrows for correct positioning, with minimum height/side clearance
 - Mounting location must provide stable mounting of bracket and blade remover.
 - **BEWARE** of concealed wires, pipes & conduits.

- 2 PREPARE MOUNTING SURFACE
 - Remove any loose or flaking paint.
 - Clean surface of any oil and grease.

- 3 MARK POSITION OF BRACKET (use this template for correct positioning)

- 4 FITTING (select your surface type: **A** or **B**)

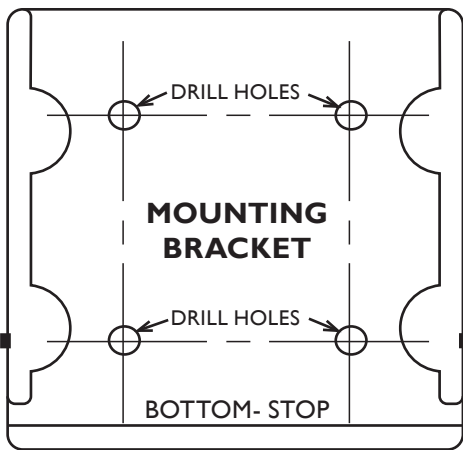
A. FOR CABINETRY, TIMBER OR METAL

B. FOR MASONRY OR HOLLOW WALLS

Adhere bracket with attached adhesive.

If not secure, use suitable fixing screws;

Drill holes and secure with suitable fixing screws.



Adhere bracket with attached adhesive.

If not secure, use suitable fixing screws;

Drill holes, insert wall plugs, and secure with suitable fixing screws.

MINIMUM HEIGHT CLEARANCE

MINIMUM SIDE CLEARANCE

MINIMUM SIDE CLEARANCE

WARNING

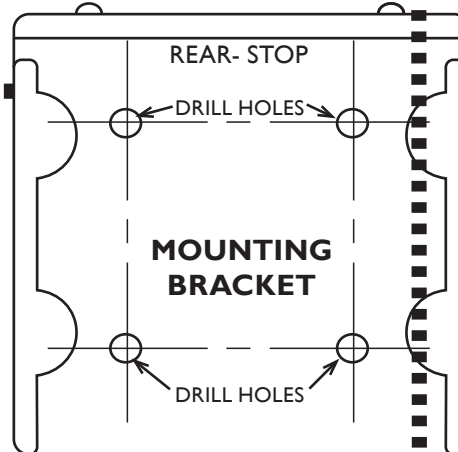
This is not a sterile device.

Do not mount in a sterile area.

Only use adhesive as sole permanent fixing method when secure fixing using the adhesive is achieved.

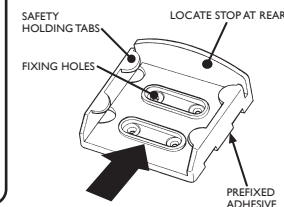
Replace bracket when fitting with Qlicksmart blade remover is loose.

MINIMUM SIDE CLEARANCE



MINIMUM SIDE CLEARANCE

Bracket as Bench Mounting



BENCH MOUNTING

SEE REVERSE FOR WALL MOUNTING INSTRUCTIONS

- 1 SELECT A MOUNTING LOCATION
 - The Qlicksmart blade remover is ideally located near the site of scalpel use or clean-up area.
 - For safety in use, mount bracket as near as practical to elbow height.
 - Use this template and dotted guide arrows for correct positioning, with minimum height/side clearance
 - Mounting location must provide stable mounting of bracket and blade remover.
 - **BEWARE** of concealed wires, pipes & conduits.

- 2 PREPARE MOUNTING SURFACE
 - Remove any loose or flaking paint.
 - Clean surface of any oil and grease.

- 3 MARK POSITION OF BRACKET (use this template for correct positioning)

- 4 FIT WITH ATTACHED ADHESIVE (if not secure use suitable fixing screws)

- 5 FIT WITH SCREWS (if required) (use supplied screws or other fixings as required to ensure a secure mounting)
 - Cover all exposed threads to prevent injury

WARNING

This is not a sterile device.

Do not mount in a sterile area.

Only use adhesive as sole permanent fixing method when secure fixing using the adhesive is achieved.

Replace bracket when fitting with Qlicksmart blade remover is loose.

MINIMUM CLEARANCE FROM BENCH FRONT

For further information on the Qlicksmart scalpel blade remover and Mounting Bracket, contact us at hello@qlicksmart.com, or your preferred local Qlicksmart distributor.

www.qlicksmart.com