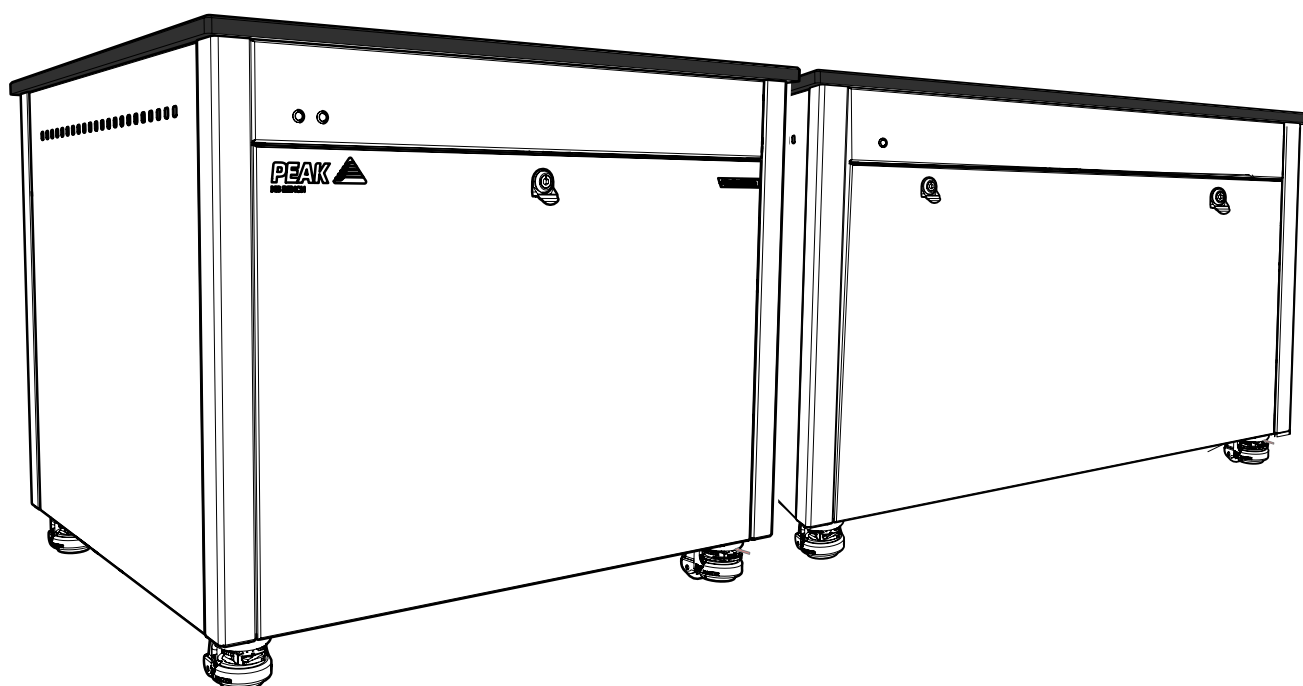


MS Bench (All Models)

User Manual



Contents

Change History	3
How to use this Manual	3
Intended Use of Equipment	3
Warranties and Liabilities	4
Safety Notices	5
Symbols	5
Safety Notice to Users	5
Weight Loading & Stability	6
Declaration of Conformity	7
Environmental Declaration	8
Technical Specification	9
Technical Specification	10
Unpacking	11
Fittings Kit Contents	12
Installation	13
Generator Environment	13
Generator Overview	14
General Dimensions SCI 1, G SCI 1 and G SCI 2	14
General Dimensions SCI 2	14
MS Bench G SCI 1 Rear Connections	15
MS Bench G SCI 1 Unit Controls	15
MS Bench SCI 1 Rear Connections	16
MS Bench SCI 1 Unit Controls	16
MS Bench G SCI 2 Rear Connections	17
MS Bench G SCI 2 Unit Controls	17
MS Bench SCI 2 Rear Connections	18
MS Bench SCI 2 Unit Controls	18
Drain Connection (MS Bench G SCI 1 & G SCI 2 Only)	19
Electrical Connection	20
Start-Up Sequence (MS Bench G SCI 1 & G SCI 2 Only)	21
Connecting to the application (MS Bench G SCI 1 & G SCI 2 Only)	22
Tubing Lengths	22
Normal Operation (MS Bench G SCI 1 & G SCI 2 Only)	23
On Demand Gas (MS Bench G SCI 1 & G SCI 2 Only)	23
Generator Cycling (MS Bench G SCI 1 & G SCI 2 Only)	23
Unusual Operation (MS Bench G SCI 1 & G SCI 2 Only)	23
Fan Power LED (MS Bench SCI 1 & SCI 2 Only)	24
Safe Operation of Pump Tray (MS Bench SCI 1 Only)	25
Safe Operation of Pump Tray (MS Bench SCI 2 Only)	26
Service Requirements (MS Bench G SCI 1)	27
Service Schedule	27
Service Requirements (MS Bench G SCI 2)	27
Service Schedule	27
Service Indication (MS Bench G SCI 1 & G SCI 2)	28
Stage 1	28
Stage 2	28
Service Indication Reset	28
Peak Protected	29
Cleaning	30
Troubleshooting (MS Bench G SCI 1 & G SCI 2)	31

Change History

Rev	Comment	Name	Date
1	Initial Release	L. Couttie	06/06/2019
2	CSA Feedback Updates	L. Couttie	20/06/2019
3	Weight Loading Update	L. Couttie	26/06/2019
4	MS Bench G SCI 2 & SCI 2 models added	L. Couttie	28/10/2019
5	CSA Feedback Updates	L. Couttie	02/12/2019
6	SCIEX Feedback Updates	L. Couttie	31/03/2020
7	Heat Output & Power Cord Update	L. Couttie	20/11/2020
8	Fittings Kit Update	L. Couttie	06/08/2021
9	Declarations Update	L. Couttie	30/11/2021
10	Intended Use of Equipment Update	L. Couttie	25/05/2022
11	Drain connection warning added	L. Couttie	02/11/2022
12	Declarations Update	D. Lai	06/12/2022
13	MS Bench G SCI 2 Flow Update	L. Couttie	03/02/2023
14	Gauges Note Update	L. Couttie	21/03/2024

How to use this Manual

This manual is intended for end users and has been written as a reference document where you can skip to the relevant information.

Users can refer to the contents page to find the relevant information.

Please review each of the following sections carefully.

Thank you for selecting Peak Scientific to meet your gas generation needs, and should you require any further assistance or support please do not hesitate to contact Peak Scientific or the Peak Partner from which you purchased your generator.

Intended Use of Equipment

MS Bench SCI 1, is a support cabinet with in-built cooling provided by fans, its top surface and slide out tray are available for use by the customer as required for their planned application.

MS Bench G SCI 1 is a support cabinet with an in-built Nitrogen generator. Its top surface and internal storage space are available for use by the customer as required.

However, it CANNOT be used to situate the MS due to vibration emitted by the internal generator.

The inbuilt generator provides an output of both compressed air and nitrogen for supply to customer application on demand via its compressors.

MS Bench SCI 2 is a support cabinet with two internal compartments, one containing inbuilt cooling provided by fans and a slide out tray, the other open for a larger roughing pump. The top surface is available for the customer to use for their planned application.

MS Bench G SCI 2 is a support cabinet with an in-built nitrogen generator, with higher gas flows than the G SCI 1. The top surface is available for the customer to use for their

Warranties and Liabilities




1. The Company warrants that it has title to the Goods.
2. Subject to the provisions of this clause the Company warrants that the Goods shall comply in all material respects with any specification referred to in the Order Confirmation (as the same may be amended) and shall, subject thereto, be free from defects in material and workmanship for the lesser of a period of twelve months from the date of delivery or thirteen months from the date of dispatch from the factory.
3. Save as provided in this clause and except where the Goods are sold to a person dealing as a consumer (within the meaning of the Unfair Contract Terms Act 1977) all warranties, conditions or other terms implied by statute or common law are hereby expressly excluded save to the extent they may not be lawfully excluded. When the Goods are sold to a consumer within the meaning of the Unfair Contract Terms Act 1977 their statutory rights are not affected by the provisions of this clause.
4. In the event of the Customer making a claim in respect of any defect in terms of clause 2 hereof the Customer must.
 1. Reasonably satisfy the Company that the Goods have been properly installed, commissioned, stored, serviced and used and without prejudice to the generality of the foregoing that any defect is not the direct or indirect result of lack of repair and/or servicing, incorrect repair and/or servicing, use of wrong materials and/or incorrect spare parts
 2. Allow the company to inspect the Goods and/or any installation and any relevant packaging as and when reasonably required by the Company.
5. Subject to the Company being notified of any defect as is referred to in sub-clause 2 hereof within a reasonable time of it becoming apparent and subject always to the terms of sub-clause 4 hereof, the Company shall, in its option, replace or repair the defective Goods or refund a proportionate part of the Price. The Company shall have no further liability to the Customer (save as mentioned in sub-clause 6 hereof).
6. The Company shall be liable to indemnify the Customer in respect of any claim for death or personal injury to any person in so far as such is attributable to the negligence or breach of duty of the Company or any failure by the Company to comply with the provisions of sub-clause 2 hereof.
7. Save as provided in sub-clause 2 hereof the Company shall not be liable in respect of any claim by the Customer for costs, damages, loss or expenses (whether direct, indirect, consequential or otherwise) or indemnity in any respect howsoever arising including, but not by way of limitation, liability arising in negligence (other than pursuant to clause 6 above) that may be suffered by the Customer or any third party.

Safety Notices

Peak Scientific Instruments cannot anticipate every possible circumstance which may represent a potential hazard. The warnings detailed within this manual refer to the most likely potential hazards, but by definition cannot be all inclusive. If the user employs an operating procedure, item of equipment or a method of working which is not specifically recommended by Peak Scientific, the user must ensure that the equipment will not be damaged or become hazardous to persons or property.

Symbols

This manual uses the following symbols to highlight specific areas important to the safe and proper use of the generator.

 <p>WARNING</p>	<p>A WARNING notice denotes a hazard. It calls attention to an operating procedure, process or similar, which if not correctly performed or adhered to, could cause personal injury or in the worst case death. Do not proceed beyond a WARNING notice until the indicated conditions are fully understood or met.</p>
 <p>CAUTION</p>	<p>A CAUTION notice denotes a hazard. It calls attention to an operating procedure, process or similar, which if not correctly performed or adhered to, could cause damage to the generator or the application. Do not proceed beyond a CAUTION notice until the indicated conditions are fully understood or met.</p>
	<p>Caution, risk of electric shock. Ensure power to the generator has been removed before proceeding.</p>

Safety Notice to Users



These instructions must be read thoroughly and understood before installation and operation of your Peak Generator. Use of the generator in a manner not specified by Peak Scientific MAY impair the SAFETY provided by the equipment.



When handling, operating or carrying out any maintenance, personnel must employ safe engineering practices and observe all relevant local health and safety requirements and regulations. The attention of UK users is drawn to the Health and Safety at Work Act 1974, and the Institute of Electrical Engineers regulations.



If the equipment is used in a manner not specified by the manufacturer, the protection provided by the equipment maybe impaired.



‘The MS Bench SCI 1 & SCI 2 are designed to support most RUO SCIEX MS Systems (except TripleTOF 5600+, 6600, and 6600+) per the weights and dimensions provided in Sciex site prep manuals.



The MS Bench G SCI 1 & G SCI 2 are designed to support Sciex liquid chromatography (LC) systems. **The MS Bench G SCI 1 & G SCI 2 are NOT suitable for placing the MS.**

Weight Loading & Stability

Additional weight added to product either on top surface or within cabinet must not exceed the following maximum combined total:

MS Bench SCI 1 : 272 Kg

MS Bench G SCI 1: 215 Kg

MS Bench SCI 2 : 272 Kg

MS Bench G SCI 2: 206 Kg



Failure to adhere to these values could lead to injury and or damage to the equipment.

Ensure placement of additional equipment / weight on top surface or with in cabinet does not cause overall Bench to become unstable, either in use or when sliding tray is extended and loaded on MS Bench SCI 1 and SCI 2.



Failure to ensure overall product is stable could lead to injury and or damage to the equipment.

EU Declaration of Conformity

We Peak Scientific Instruments Ltd.
Of Fountain Crescent, Inchinnan, Renfrewshire, PA4 9RE

Hereby declare that, this declaration of conformity is issued under the sole responsibility of the manufacturer.

Equipment: Bench and Nitrogen Generator Bench
Models: MS Bench SCI 1, MS Bench G SCI 1, MS Bench SCI 2 &
MS Bench G SCI 2

To which this declaration relates, is in conformity with the following applicable EU Directives, harmonized standards, and other normative requirements.

- **Low Voltage Directive 2014/35/EU**
EN 61010-1: 2010 Safety Requirements for Electrical Equipment for Measurement, Control and Laboratory Use.
- **Electromagnetic Compatibility Directive 2014/30/EU**
EN 61326-1: 2013 Electrical Equipment for Measurement, Control and Laboratory Use - EMC Requirements. (Class A)
- **Restriction on the use of certain hazardous substances in electronic equipment (RoHS) Directive 2011/65/EU as amended by EU 2015/863.**
- **FCC 47 CFR Part 15 class A**
Unintentional radiators; Conducted and Radiated emissions limits.

Signed for and on behalf of Peak Scientific by

Signed: 

Name: Fraser Dunn

Position: Design Engineering Manager
Peak Scientific Instruments Ltd,
Inchinnan, Renfrew, Scotland, PA4 9RE, UK.

Date: 10th August 2021



UK Declaration of Conformity

We Peak Scientific Instruments Ltd.
Of Fountain Crescent, Inchinnan, Renfrewshire, PA4 9RE

Hereby declare that, this declaration of conformity is issued under the sole responsibility of the manufacturer.

Equipment: Bench and Nitrogen Generator Bench
Models: MS Bench SCI 1, MS Bench G SCI 1, MS Bench SCI 2 &
MS Bench G SCI 2

To which this declaration relates, is in conformity with the following applicable UK Statutory Instruments, Standards and other normative requirements.

- **The Electrical Equipment (Safety) Regulations 2016 (SI 2016 / 1101) as amended.**
BS61010-1:2010 Safety Requirements for Electrical Equipment for Measurement Control and Laboratory Use.
- **The Electromagnetic Compatibility Regulations 2016 (SI 2016 / 1091) as amended.**
BS61326-1:2013 Electrical Equipment for Measurement , Control and Laboratory Use - EMC Requirements.
- **The Restriction of the Use of Certain Hazardous Substances in Electrical and Electronic Equipment Regulations 2012 (SI 2012 / 3032) as amended.**

Signed for and on behalf of Peak Scientific by

Signed: 

Name: Fraser Dunn

Position: Design Engineering Manager
Peak Scientific Instruments Ltd,
Inchinnan, Renfrew, Scotland, PA4 9RE, UK.

Date: 10th August 2021

**UK
CA**

WEEE Compliance Statement

The Waste Electrical and Electronic Equipment (WEEE) Regulations SI 2013 No 3113 and or the Waste Electrical and Electronic Equipment (WEEE) Directive 2012/19/EU apply to all electrical and electronic equipment placed on the market in the UK and EU covered by the scope of regulations which can be found in the Government Guidance Notes (PDF) produced by the Department for Business Innovation and skills for the UK and here for Europe.

All PEAK products that are subject to the WEEE directive are compliant with the WEEE marking requirement. Such products are marked with the “crossed-out wheellie bin” symbol (shown below) in accordance with European standard EN50419. All old electrical equipment can be recycled. Please do not dispose of any electrical equipment (including those marked with this symbol) in general rubbish bins. Please contact your dealer or distributor for clarity.



Technical Specification

Environment

	MS Bench SCI 1	MS Bench G SCI 1
Minimum Operating Ambient Temperature	5°C (41°F)	
Maximum Operating Ambient Temperature	30°C (86°F)	
Maximum Altitude	2000 m	
Maximum Relative Humidity	80% Non-Condensing	
Minimum Storage Temperature*	-20°C (-4°F)	
Maximum Storage Temperature*	60°C (140°F)	

*NOTE - Storage below 5°C (41°F) for long periods is not recommended. When taken out of storage the Generator should be allowed to acclimatize at room temperature for a minimum of 3 hours before operation.

Generator Outlets

Curtain Maximum Flow^	N/A	19 L/min @ 4.48 bar (0.670 cfm @ 65 psi)
Source Maximum Flow^		26 L/min @ 6.89 bar (0.918 cfm @ 100 psi)
Exhaust Maximum Flow^		25 L/min @ 4.13 bar (0.882 cfm @ 60 psi)
Particles		<0.01µm
Phthalates		NONE
Suspended Liquids		NONE
Gas Outlets		3 x ¼" BSPP
Drain Outlet		1 x ¼" BSPP

^NOTE - These performance characteristics are valid only when paired with an approved Sciex application. Please refer to current application matrix for a list of supported products.

Electrical Requirements

Voltage	100 - 240v ±10%	220 - 240v ±10%
Frequency	50/60 Hz	
Current	2 Amps	6 Amps
Input Connection	C20 Plug	
Power Cord	C19 socket to local connection (10A minimum)	
Pollution Degree	2	
Installation / Over Voltage Category	II	

General

Dimensions cm (inches) WxDxH	91.4 x 78.7 x 76.2 (36 x 31 x 30)	
Generator Weight Kg (lbs)	103 (227.1)	160 (352.8)
Shipping Weight Kg (lbs)	118 (260.2)	175 (385.9)

Technical Specification

Environment

	MS Bench SCI 2	MS Bench G SCI 2
Minimum Operating Ambient Temperature	5°C (41°F)	
Maximum Operating Ambient Temperature	30°C (86°F)	
Maximum Altitude	2000 m	
Maximum Relative Humidity	80% Non-Condensing	
Minimum Storage Temperature*	-20°C (-4°F)	
Maximum Storage Temperature*	60°C (140°F)	

*NOTE - Storage below 5°C (41°F) for long periods is not recommended. When taken out of storage the Generator should be allowed to acclimatize at room temperature for a minimum of 3 hours before operation.

Generator Outlets

Curtain Maximum Flow^	N/A	26 L/min @ 4.13 bar (0.918 cfm @ 60 psi)
Source Maximum Flow^		26 L/min @ 6.89 bar (0.918 cfm @ 100 psi)
Exhaust Maximum Flow^		25 L/min @ 4.13 bar (0.882 cfm @ 60 psi)
Particles		<0.01µm
Phthalates		NONE
Suspended Liquids		NONE
Gas Outlets		1 x 5/16" (Nitrogen) 2 x 1/4" BSPP (Air)
Drain Outlet		1 x 1/4" BSPP

^NOTE - These performance characteristics are valid only when paired with an approved Sciex application. Please refer to current application matrix for a list of supported products.

Electrical Requirements

Voltage	100 - 240v ±10%	220 - 240v ±10%
Frequency	50/60 Hz	
Current	2 Amps	9 Amps
Input Connection	C20 Plug	
Power Cord (Supplied)	C19 socket to local connection (13A minimum)	
Pollution Degree	2	
Installation / Over Voltage Category	II	

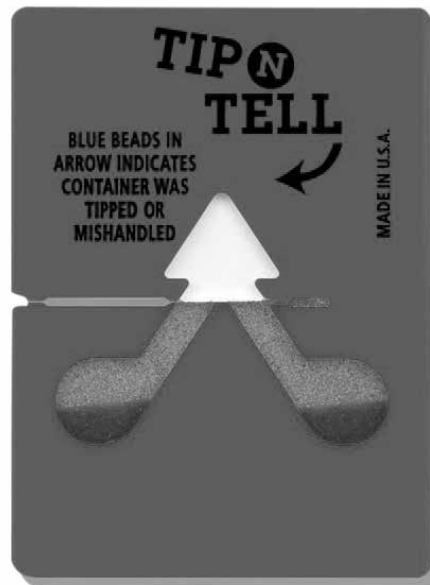
General

Dimensions cm (inches) WxDxH	104 x 78.7 x 76.2 (41 x 31 x 30)	91.4 x 78.7 x 76.2 (36 x 31 x 30)
Generator Weight Kg (lbs)	103 (227.1)	169 (372.5)
Shipping Weight Kg (lbs)	118 (260.2)	184 (405.6)
Maximum Heat Output	N/A	5545 BTU/hr

Unpacking

Although Peak Scientific takes every precaution with safe transit and packaging, it is advisable to fully inspect the unit for any sign of transit damage.

Check 'SHOCKWATCH' and 'TIP-N-TELL' labels for signs of rough handling prior to unpacking.



Any damage should be reported immediately to the carrier and Peak Scientific or the Peak Partner from where the unit was purchased.

Follow the unpacking instructions posted on the side of the crate. It will require two people to remove the unit from the shipping crate and to manoeuvre the generator to the desired location.

Please save the product packaging for storage or future shipment of the generator.

Note: Included with the generator is a "Fittings Kit" containing mains power leads for UK, EU & US and also all the required fittings and warranty registration card. Be careful not to discard these with the packaging.

Fittings Kit Contents

Supplied in the Fittings Kit are all the fittings required to connect the generator to the application. The contents of the Fittings Kit are as follows:

1. 1/4" Teflon Tubing x 3m*	x 2
2. 5/16" Teflon Tubing x 3m*	x 1
3. 6mm PE Tubing x 3m*	x 1
4. 1/4" Compression Fitting*	x 2
5. 5/16" Compression Fitting*	x 1
6. 6mm Push-Fit Fitting*	x 1
7. Flow Control Silencer*	x 3
8. UK Mains Power Cable 230v	x 1
9. EU Mains Power Cable 230v	x 1
10. US Mains Power Cable 230v	x 1
11. 8mm Hex Key	x 1

* MS Bench G SCI 1 & G SCI 2 only

All of the generators output ports are located on the output panel at the rear of the unit.

Installation

Generator Environment

The generator is designed for indoor use only. It should be installed adjacent to the application it is supplying. If this is not convenient then the unit can be sited elsewhere, however, consideration should be made of the lengths of pipe runs as pressure drops can result from extended runs of pipe.

Performance of the generator is affected by ambient conditions. Note should also be taken to the proximity of Air Conditioning outlets. These can sometimes give rise to “pockets” of air with high relative humidity. Operation of the unit within such a pocket could adversely affect its performance. Consideration should also be given to the air flow around the unit. It is recommended that an air gap of 100mm (3.9”) should be maintained down both sides and at the rear of the unit. Please refer to the drawing on the following page for the general dimensions of the unit.

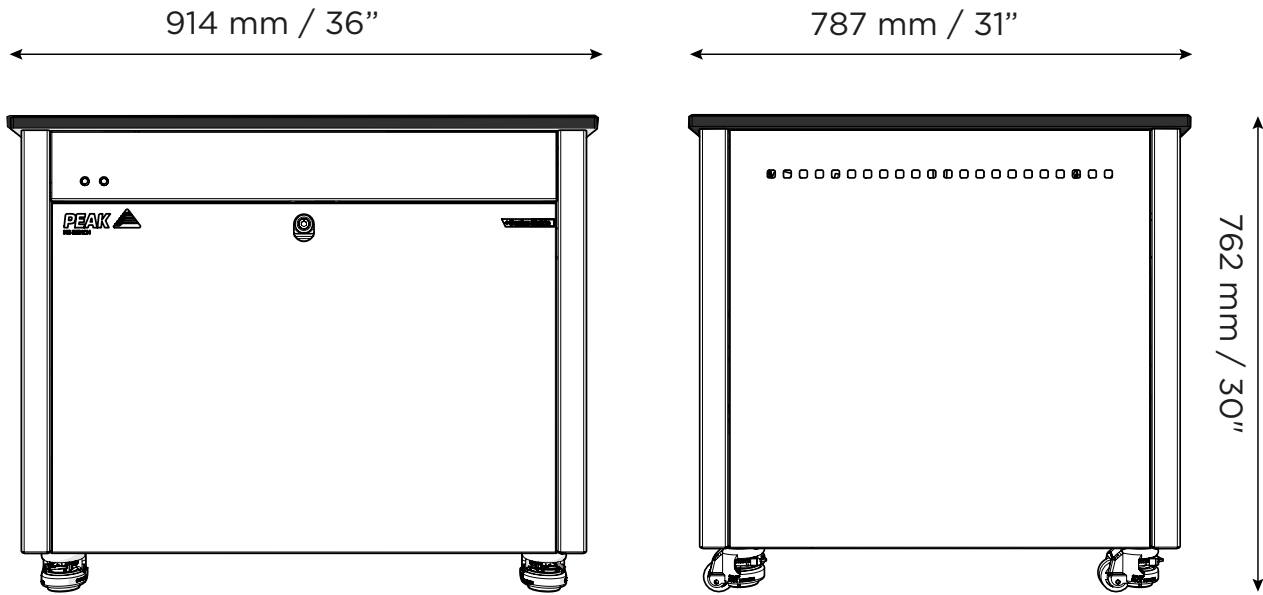
Please ensure Generator is situated in a well ventilated environment and is positioned to allow easy disconnection from the mains supply if required

Minimum Operating Ambient Temperature: 5 °C (41 °F)

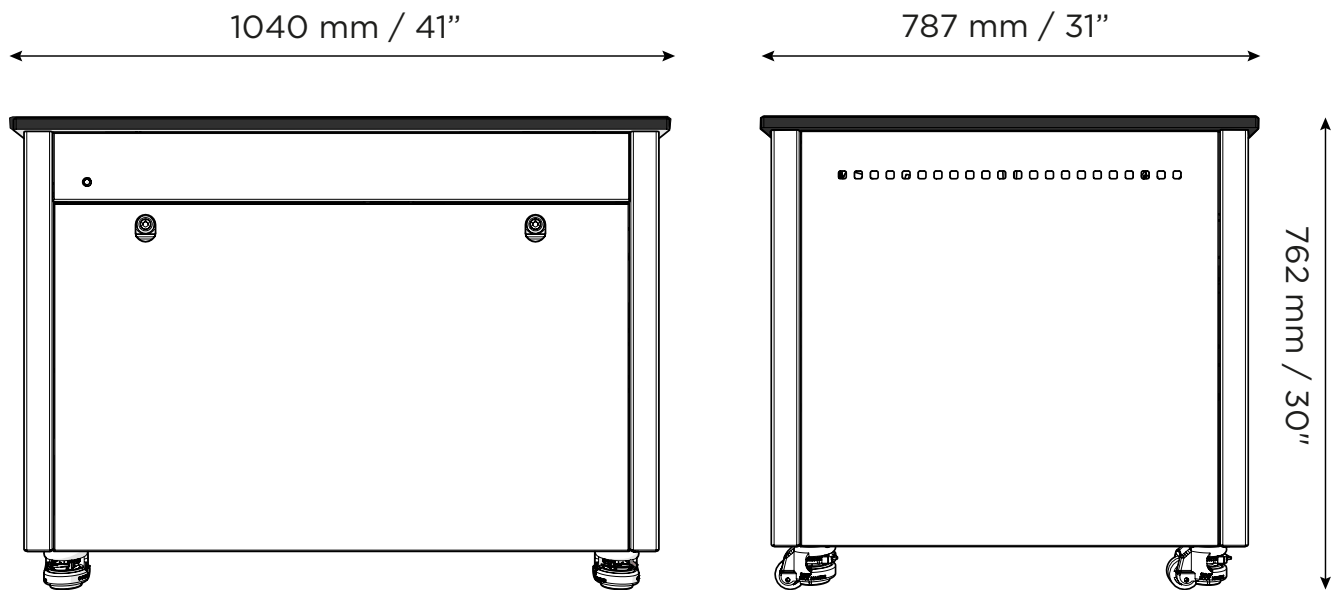
Maximum Operating Ambient Temperature: 30 °C (86 °F)

Generator Overview

General Dimensions SCI 1, G SCI 1 and G SCI 2

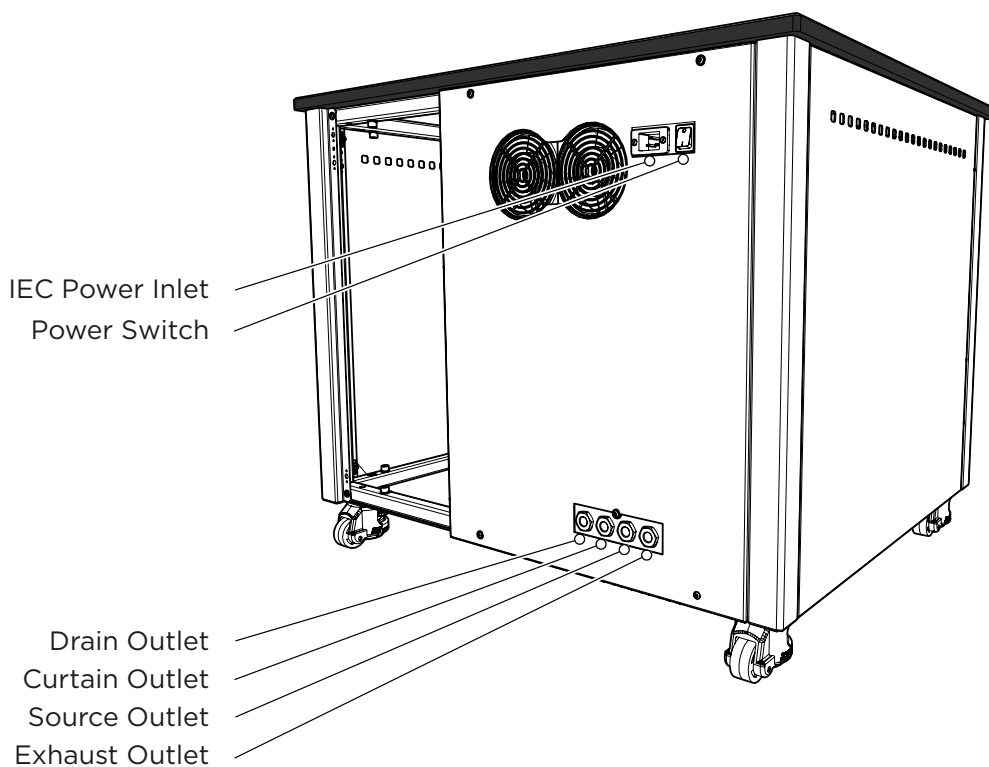


General Dimensions SCI 2



The generator must always be placed on a flat, level surface. Failure to do so will affect the performance of the generator.

MS Bench G SCI 1 Rear Connections



Ensure all inlets and outlets are connected to correct sources and applications

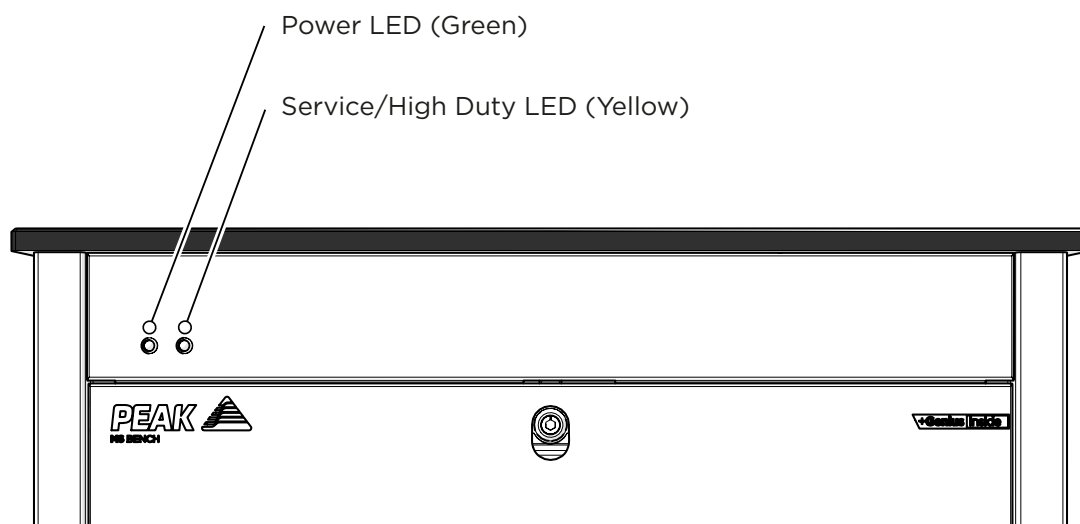


All Connections should only be carried out by trained personnel

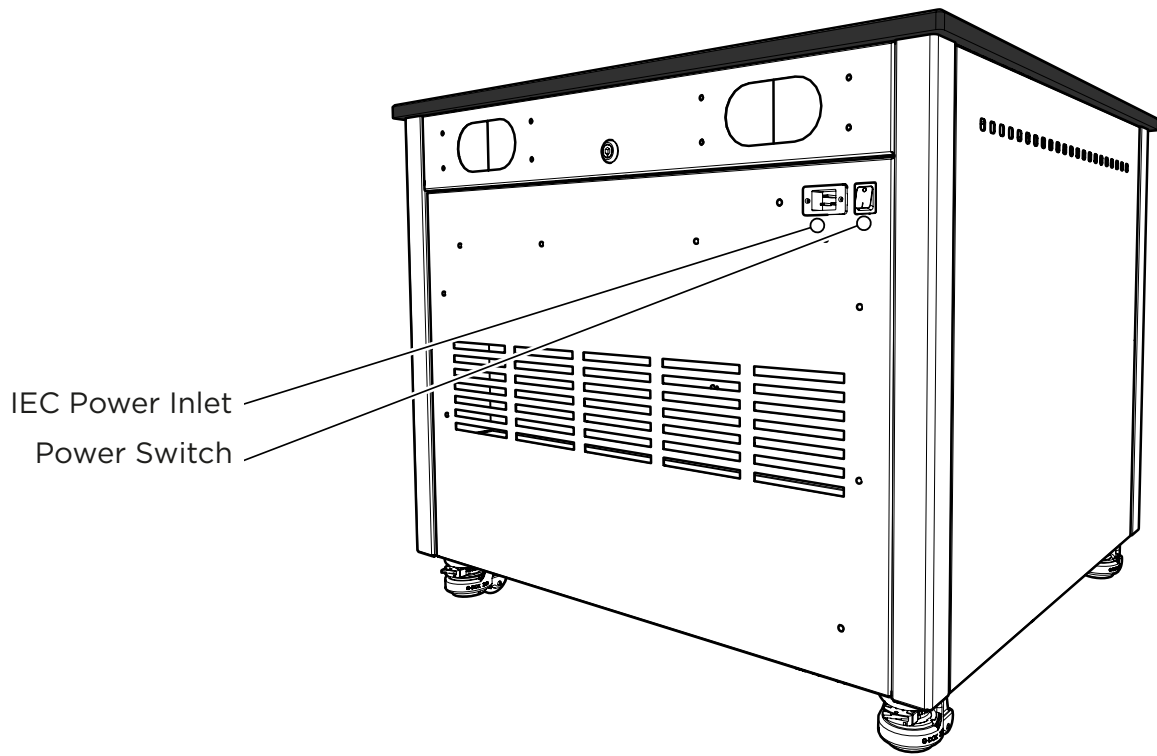


Generator must be switched off and unplugged prior to any cleaning or maintenance operations

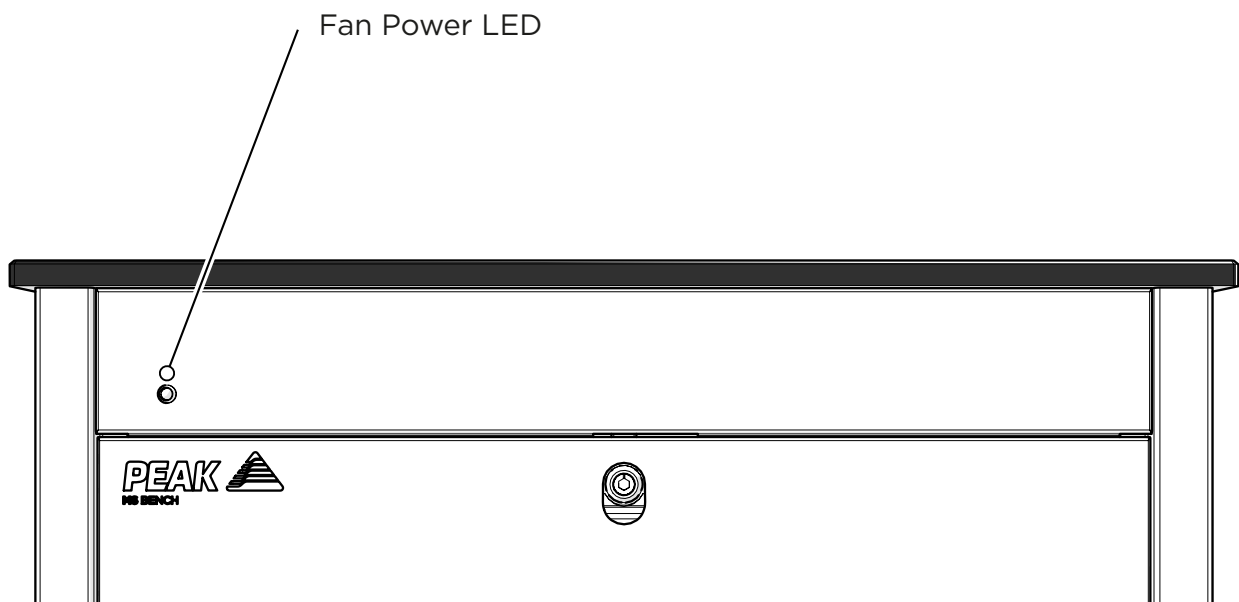
MS Bench G SCI 1 Unit Controls



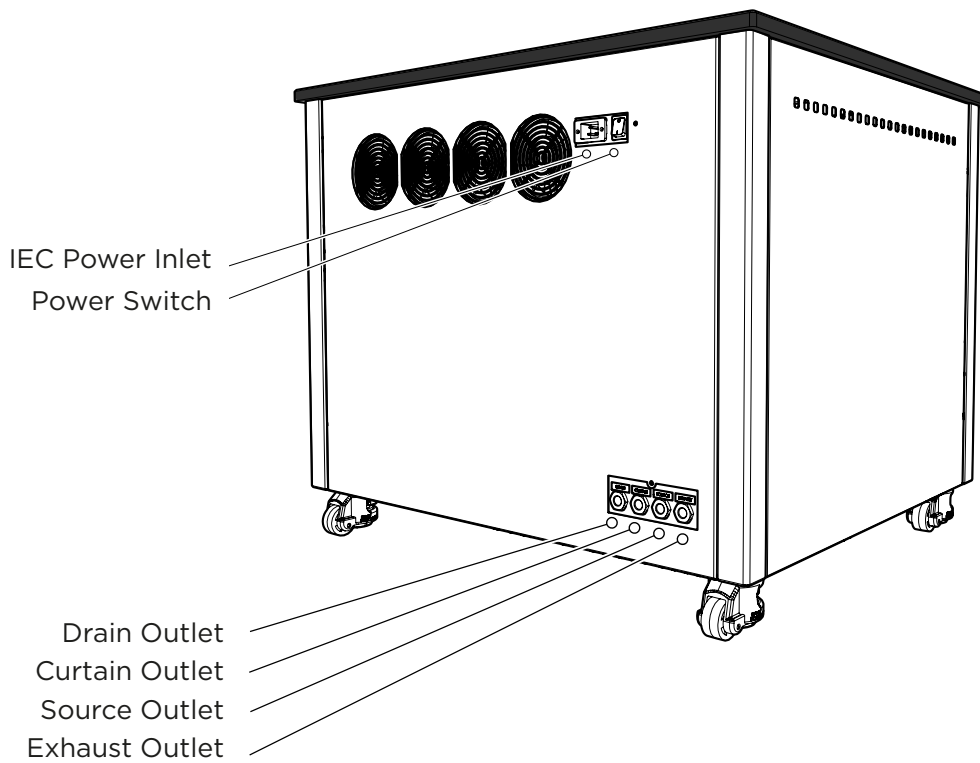
MS Bench SCI 1 Rear Connections



MS Bench SCI 1 Unit Controls



MS Bench G SCI 2 Rear Connections



Ensure all inlets and outlets are connected to correct sources and applications

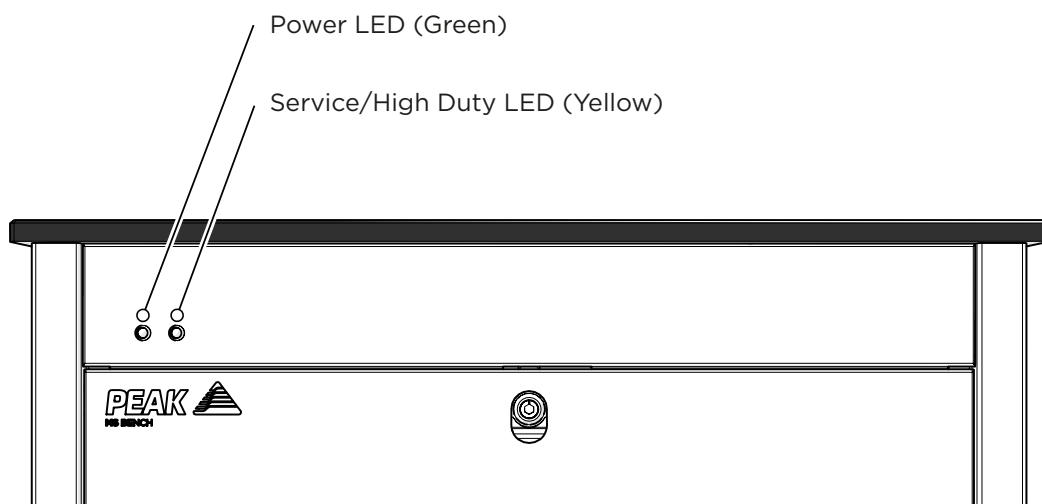


All Connections should only be carried out by trained personnel

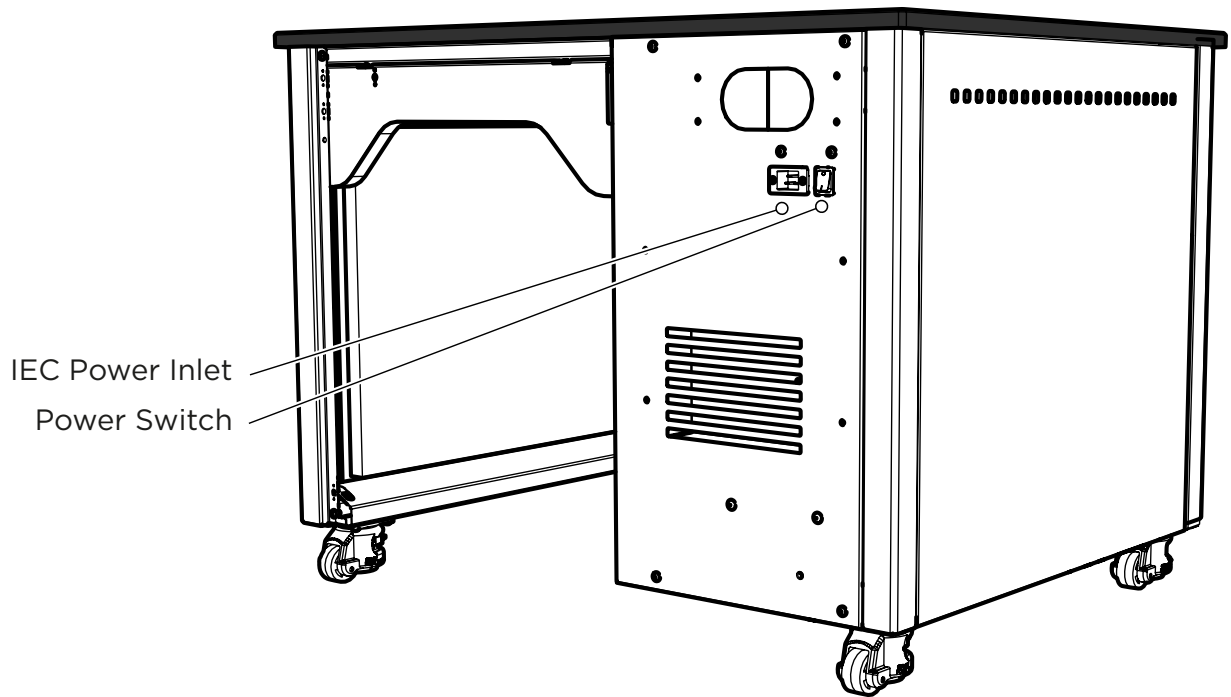


Generator must be switched off and unplugged prior to any cleaning or maintenance operations

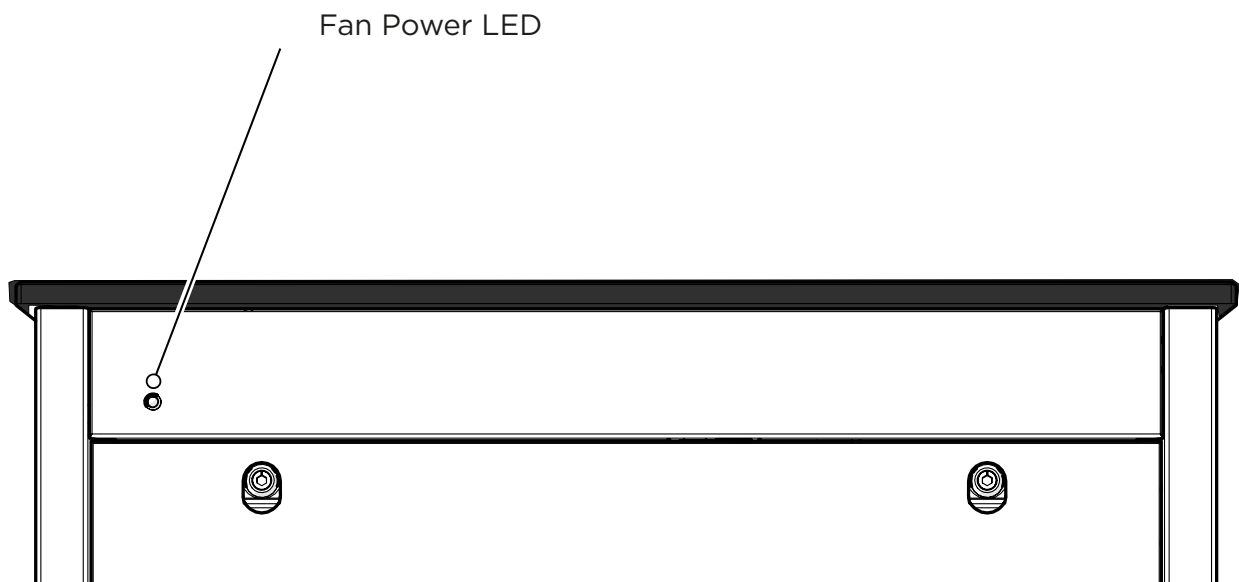
MS Bench G SCI 1 Unit Controls



MS Bench SCI 2 Rear Connections



MS Bench SCI 2 Unit Controls



Drain Connection (MS Bench G SCI 1 & G SCI 2 Only)

Fit the 6mm push fit fitting to the drain port located on the output panel. Tighten using a 16mm or 5/8" spanner. Use the 6mm tubing to connect this to a suitable drain connection or container. It should be noted that the Generator can expel a considerable amount of water from this (dependant on ambient humidity).



If a container is used it should be emptied at regular intervals. **The container used MUST be a plastic material and MUST NOT be glass for safety reasons. The container MUST NOT have an airtight seal as water and air will be expelled periodically under slight pressure.**

Electrical Connection

Connect the generator to an appropriate single-phase supply, refer to the generator serial plate for input specification and ensure your supply matches the requirements.

If an appropriate mains power cords is not supplied or a substitute one is used then ensure that all components of it the plug, cord and connector have adequate ratings for the generator and appropriate approvals for the country of use. Failure to do so could cause damage to the generator or risk overloading of the power cord



This unit is classified as SAFETY CLASS 1. THIS UNIT MUST BE EARTHED. Before connecting the unit to the mains supply, please check the information on the serial plate. The mains supply must be of the stated AC voltage and frequency.

EARTH/GROUND (E):- Green & Yellow or Green

LIVE (L):- Brown or Black

Neutral (N):- Blue or White

Electrical requirements are 220 - 240v $\pm 10\%$ (MS Bench G SCI 1& G SCI 2) & 100 - 240v $\pm 10\%$ (MS Bench SCI 1 & SCI 2). Running at voltages outwith this is not recommended. Extended periods at extremes can have a detrimental effect on the operation and life of the generator.



If the equipment is used in a manner not specified by the manufacturer, the protection provided by the equipment maybe impaired.

Start-Up Sequence (MS Bench G SCI 1 & G SCI 2 Only)



Before the Generator is connected to the application, the Generator should be operated in isolation (i.e. not connected to the application) for thirty minutes. This is to ensure any impurities present are purged from the system. Failure to do this may harm the application.

Once this is done, the Generator can be re-connected to the mains and switched on.

Pressure will start to build in the internal storage tanks. Once this pressure is reached, the compressors will continue to run until the internal tank upper pressure limit is reached and the compressor has run for a period of at least two minutes.

The compressors will then rest until the internal tank lower pressure limits is reached. Once this limit is reached the compressors will switch back on again. This compressor cycling is normal and will continue throughout the operation of the Generator.

When the system has been operated for a period of 30 minutes, all the internal pipe-work and storage tanks will have been purged with Nitrogen.

The Generator is now purged and the tubes can be connected at the rear of the unit.

Connecting to the application (MS Bench G SCI 1 & G SCI 2 Only)

Once the initial purge run of 30 minutes has completed, and the generator has been running for 15 mins, (required to reach purity for the application) it is ready to be connected to the application(s)



The pressure in the internal storage tanks must be allowed to dissipate before connecting the generator to the application(s)

Attach the ¼” compression fittings to the outlets of the generator. Using the ¼” tubing supplied, connect the outlets of the generator to the inlets on the application.

If you require more tubing than is supplied please refer to the Tubing Lengths section.



Once the tubing is connected to the application, please ensure that it is thoroughly checked for being leak-tight. Even the slightest leak in the gas supply between the generator and the application can lead to a reduction in efficiency.

Note: Gauges are for indication purposes only.

Tubing Lengths



The diameter of the tubing which will be connected to the gas outlets is important and is determined by the length of tubing required. Failure to follow these recommendations could lead to pressure between generator and application.

- < 10 meters: Use ¼”/⅜” (¼” O/D, ⅜” I/D) P.T.F.E. tubing.
- > 10 - 40 meters: Use ⅜”/ 5/16” (⅜” O/D, 5/16” I/D). Tubing and fittings not supplied in the fittings kit.
- > 40 metres: Please contact Peak Scientific with the relevant distance and we will calculate the flow resistance and the tubing size required.

A combination of ¼”/⅜” and ⅜”/5/16” tubing may be used to ensure that there is no large diameter tubing within the lab (i.e. for the first 20 meters from the generator use ⅜”/5/16” and the final 10 meters to the application use ¼”/⅜” tubing). Keep the connections and bends to a minimum.

Normal Operation (MS Bench G SCI 1 & G SCI 2 Only)

The generator is designed specifically to minimize operator involvement. Given that the system is installed as described in earlier sections and is serviced in accordance with the specified maintenance recommendations (see Service Requirements), then it should simply be a matter of turning the generator on when it is required.

The generator will automatically produce the factory set flow and pressure as detailed in the Technical Specifications.

On Demand Gas (MS Bench G SCI 1 & G SCI 2 Only)

When the application requires a gas flow, the generator will produce gas on demand.

The generator will continue to supply gas whilst the application is in a 'Standby' mode. As soon as a demand is detected from the application, the generator will match the applications requirements.

Generator Cycling (MS Bench G SCI 1 & G SCI 2 Only)

The generator is designed to operate in either a cyclic mode or run continuously, this will be dependent on the output flow.

The cyclic rate of the compressors will depend on the gas demand of the application; the generator will cycle when the upper tank pressure set limits are achieved within a 3-minute time period.

When the application demands increase, the compressor duty will be higher and the rest period of the compressor cycle will be shorter. If operated at maximum flow, the generator will run continuously to maintain the upper tank pressures. Another cause for continuous operation would be if the generator is installed at high altitude, in an extreme environment or subjected to low voltage supply. The compressors will undergo periods where they do not cycle.

Unusual Operation (MS Bench G SCI 1 & G SCI 2 Only)

If at any time the generator begins to emit excessive noise or vibration, then it should be switched off and you should contact Peak Scientific or the Peak Partner from which the generator has been purchased.

Fan Power LED (MS Bench SCI 1 & SCI 2 Only)

The MS Bench Bench is fitted with a fan power LED on the front panel.

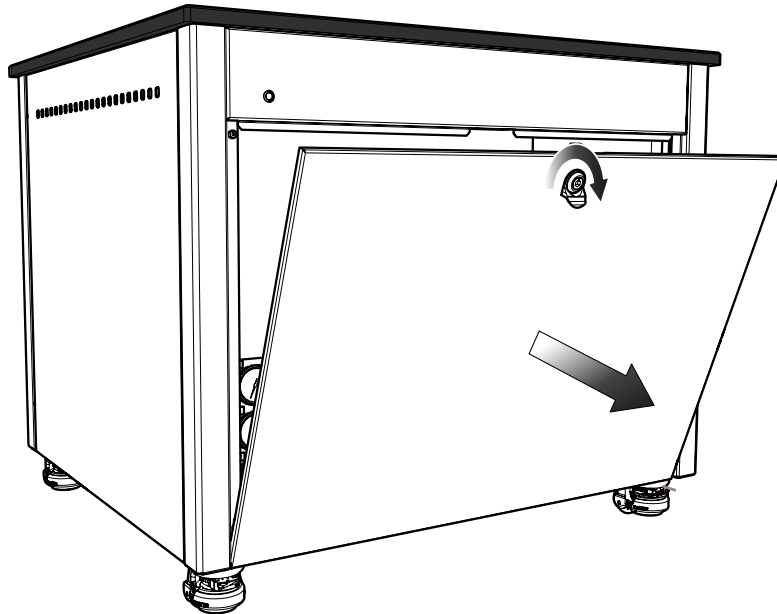
The LED should be illuminated when the table is supplied with power. This is indication that the internal cooling fans are being supplied with power, and are running correctly.

Safe Operation of Pump Tray (MS Bench SCI 1 Only)

For safe installation or removal of roughing pumps, we recommend use of the sliding function of the pump tray, as shown below.



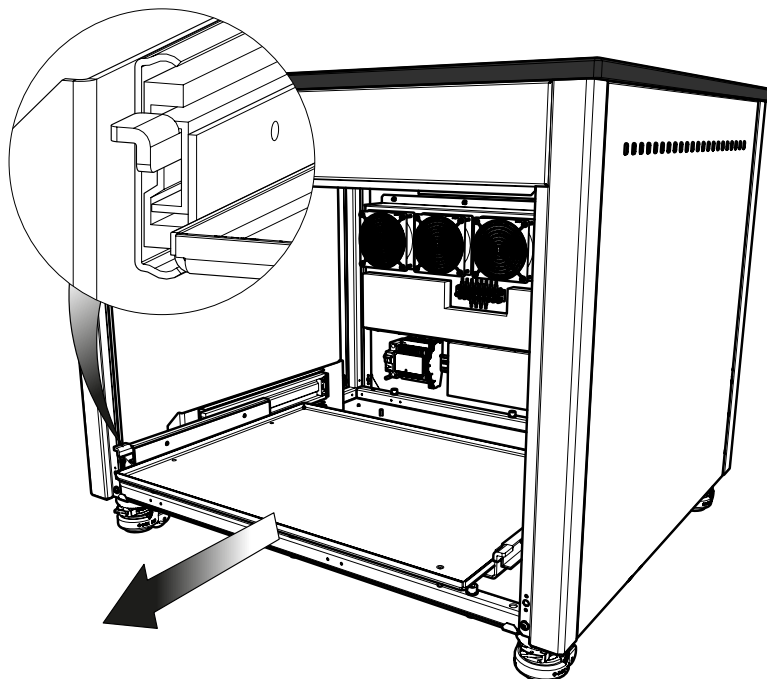
This should only be attempted once the Mass Spec has been positioned on top of the table.



Remove the front panel, ensuring that the fan power is disconnected.

Depress both yellow tabs simultaneously and pull tray outwards until it clicks into position.

Once pumps have been installed, ensure correct reconnection of the fan power lead.

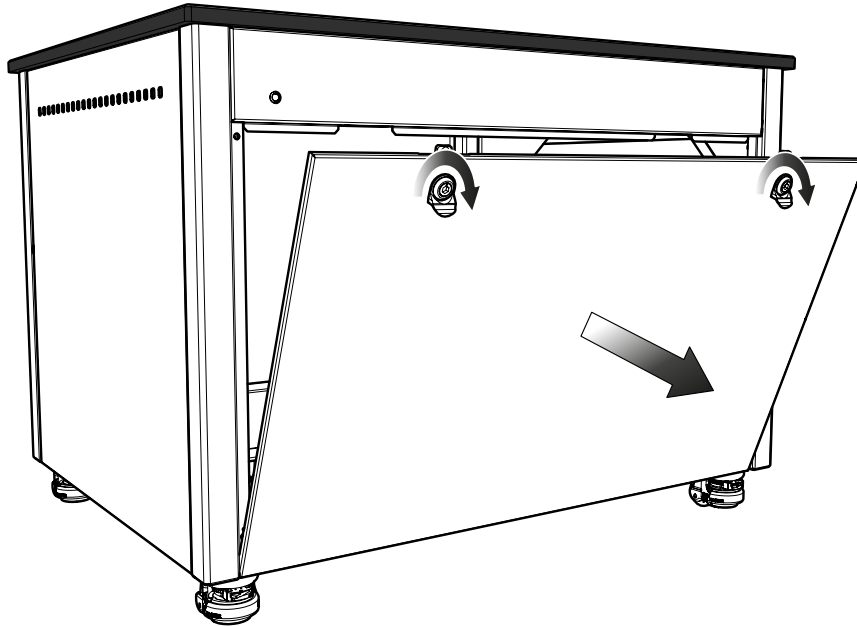


Safe Operation of Pump Tray (MS Bench SCI 2 Only)

For safe installation or removal of roughing pumps, we recommend use of the sliding function of the pump tray, as shown below.



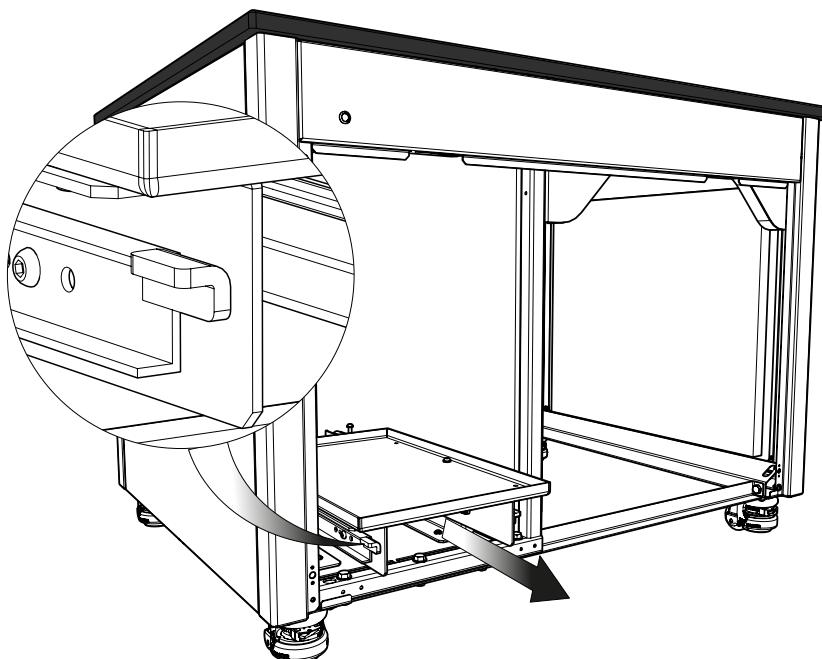
This should only be attempted once the Mass Spec has been positioned on top of the table.



Remove the front panel, ensuring that the fan power is disconnected.

Depress both yellow tabs simultaneously and pull tray outwards until it clicks into position.

Once pumps have been installed, ensure correct reconnection of the fan power lead.



Service Requirements (MS Bench G SCI 1)

Service Schedule

Purchase Interval	Component	Visit
12 Months	MS Bench G SCI 1 Annual Maintenance Kit*	www.peakscientific.com/ordering
4 Years	MS Bench G SCI 1 Year 4 Service Kit*	www.peakscientific.com/ordering

Service Requirements (MS Bench G SCI 2)

Service Schedule

Purchase Interval	Component	Visit
12 Months	MS Bench G SCI 2 Annual Maintenance Kit*	www.peakscientific.com/ordering
4 Years	MS Bench G SCI 2 Year 4 Service Kit*	www.peakscientific.com/ordering

* Please quote your generator serial number when ordering your Maintenance Kit to ensure selection of the appropriate kit for your generator.

Service Indication (MS Bench G SCI 1 & G SCI 2)

The generator has the following Service Indication Stages:-

Stage 1

Once either compressor requires a service the LED indicator (yellow) on the front of the generator will illuminate.

This is to make the user aware that a service of the generator is due and should be planned at the earliest convenience. The generator will continue to operate as normal with the LED on.

Stage 2

If the service is not completed the generator will continue to run. After 4 weeks, the service LED indicator (yellow) will start to flash.

This is to make the user aware that the service of the generator is now overdue and must be completed immediately to ensure the continuous trouble free operation of the generator.

Service Indication Reset

Once the service has been completed the Service Indication LED can be reset in the main control PCB. This will be performed by the Peak Service Engineer or trained service representative that completes the service operation.


Peak Protected

With Peak Scientific you invest in not only a product but peace of mind. With a network of certified Peak engineers stationed throughout the globe, Peak's rapid response team are never far away and our commitment is to keep your generator running day in, day out, protecting your laboratory workflow.

[Peak Protected] can provide...



Installation
A dedicated Peak engineer will visit your lab to install and setup your generator



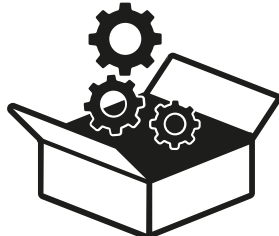
Complete plan
Swift response by a Peak Service Engineer within 72 hours & planned preventative maintenance



Premium Protected
Guaranteed rapid on-site response within 24 hours & planned preventative maintenance



IQ/OQ
Certified assurance for applications requiring documented qualification



Spares
Genuine Peak parts with express delivery, ensuring optimal performance and lifetime



Technical Support Hotline
Around the clock support by phone or online with our global technical helpdesk

To find out more about protecting your investment visit: www.peakscientific.com/protected

Cleaning

Clean the outside of the generator only using warm soapy water and a clean damp cloth. Ensure all excess fluid is thoroughly removed from the cloth prior to use.



Cleaning should only be undertaken with the power switched off and the power cord removed from the rear of the generator.



CAUTION


Under no circumstances should any solvents or abrasive cleaning solutions be used as these can contain fumes that could be harmful to the generator.



CAUTION

Care should be taken with Leak Detections Liquids.

Troubleshooting (MS Bench G SCI 1 & G SCI 2)

Problem	Possible Solution
<p>The Generator will not switch on and the power switch does not illuminate.</p>	<ul style="list-style-type: none"> • Ensure power cord is plugged into the Generator and that the power socket is turned on. • Check the fuse in the power cord plug. • Contact your service provider. 
<p>Compressors are running but pressure is not building.</p>	<ul style="list-style-type: none"> • Contact your service provider.
<p>The mass spec is reporting low pressure.</p>	<ul style="list-style-type: none"> • Contact your service provider.
<p>Yellow "SERVICE" LED on front panel is on constantly.</p>	<ul style="list-style-type: none"> • A compressor(s) due for service. Contact your service provider. • Refer to Service Indication section of this manual for further information.
<p>Yellow "SERVICE" LED on front panel is flashing.</p>	<ul style="list-style-type: none"> • A compressor(s) due for service. Contact your service provider. • A compressor(s) has not cycled for 8 hours. Refer to the Run Time Alarm section of this manual. • Ensure ambient temperatures are within the specification. • Turn the Generator off and on to reset the alarm and contact your service provider.

Go Online or Complete and Return

We know that registering any of your recently purchased products is not the first thing on your mind- but it is very important to both of us. Not all warranties are alike and Peak Scientific stand out against other gas suppliers as we offer a comprehensive, quick response, on-site warranty. This means that in the very unlikely case that your gas generator develops a fault we have rapid support teams on-hand around the world who are able to come to your lab and get you back up and running in no time.

Register for your **comprehensive 12 month on-site warranty** with ease online at www.peakscientific.com/protected.

Alternatively, you can send the completed form to Peak Scientific by post or email at warranty@peakscientific.com.

Go Online or Complete and Return

You can register for your **FREE 12 month Warranty** with ease online at www.peakscientific.com/protected.

Alternatively, you can send the completed form to Peak Scientific by post or email at warranty@peakscientific.com.

Product Warranty Registration			
Contact name			
Email address			
Company			
Address			
City/town			
Postcode			
Country			
Telephone			
Generator serial #			
Model type			
Installation date			
Do you still use an alternative gas solution i.e. cylinders or bulk liquid?	Yes	No	
What gas requirements do you have in your lab?	Hydrogen	Nitrogen	Zero Air

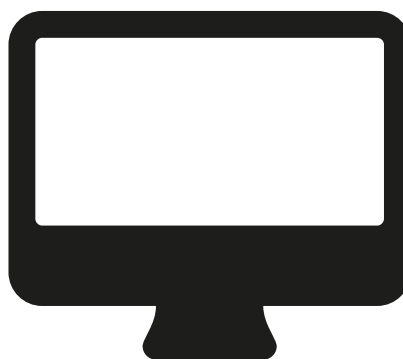
Extend your cover with

Peak Scientific offer comprehensive gas generator after sales support packages. Peak [Protected] aftercare support can guarantee an on-site response within 72 hours*, genuine parts from our ISO9001 approved factory and a 95% first-time fix rate. See our enclosed Peak [Protected] leaflet for further information.

Important!

You have 1 month to register your Peak Scientific product from the date of installation. Once registered the warranty will be honoured for a period of 12 months. If you wish to defer the installation of your generator, you must notify Peak Scientific immediately by emailing warranty@peakscientific.com. For generators that remain unregistered after 1 month from the shipment date, the warranty will be considered active from the date of factory dispatch.

* Complete Plan only



Important!

You have **1 month to register** your Peak Scientific product from the date of installation. Once registered the warranty will be honoured for a period of 12 months. If you wish to defer the installation of your generator, you must notify Peak Scientific immediately by emailing warranty@peakscientific.com. For generators that remain unregistered after 1 month from the shipment date, the warranty will be considered active from the date of factory dispatch.

CSA Compliance Statement

CSA Group (Canadian Standards Authority) is a Nationally Recognised Testing Laboratory (NRTL), headquartered in Toronto Canada.

They are authorised to evaluate product to both their own and Underwriters Laboratory (UL) standards and certify the product to be in compliance to the relevant standards.

Peak products are certified to the current in force revision of the following standards in order to cover both Canadian and United States requirements for “Safety Requirements for Electrical Equipment for Measurement, Control and Laboratory use, Part 1: general Requirements”.

Canada: CAN/CSA C22.2 No 61010-1-12

United States: UL 61010-1

As a result the products covered by this statement are certified and listed by CSA accordingly and are entitled to carry the CSA mark with both Canadian and United States subscripts, as shown below on the product rating label.



[**PEAK Protected**]TM

Peak Scientific has highly trained, fully certified Field Service Engineers located in over 20 countries across every continent around the world. This allows us to provide an industry-leading rapid response service to our customers. With [**Peak Protected**], your laboratory's productivity becomes our top priority.

To discuss Peak Protected generator cover and payment options speak to your local Peak Representative or for further information contact: protected@peakscientific.com

Peak Scientific

Fountain Crescent
Inchinnan Business Park
Inchinnan
PA4 9RE
Scotland, UK

Tel: +44 141 812 8100

Fax: +44 141 812 8200

For further information on any of our generator products please contact marketing@peakscientific.com

