

## Instructions for use

Loading Buckets

English (EN)

This document is a supplement to the operating manual of the centrifuge and not a replacement for it. Therefore, please also read the operating manual before starting up the rotors for the first time. You can find the current version on the Internet at [www.eppendorf.com](http://www.eppendorf.com).

## 1 User instructions

These instructions for use apply for loading the buckets of the swing-bucket rotors as listed in table 1.

You must not exceed the maximum admissible load and the loading height of the swing-bucket rotor.

Tab. 1: Maximum admissible load and loading height of the rotors

Rotor	Centrifuge	Maximum admissible loading height	Maximum admissible load
A-2-DWP	Centrifuge 5804/ 5804R/5810/5810 R	89 mm	380 g
A-4-62-MTP	Centrifuge 5804/ 5804R/5810/5810 R	53 mm	
A-4-81-MTP/Flex	Centrifuge 5810/ 5810 R	60 mm	
A-2-MTP	Centrifuge 5430/ 5430 R	29 mm	170 g

## 2 Safety



### CAUTION! Risk of injury due to asymmetric loading of a rotor.

- ▶ Load rotors symmetrically with identical tubes or plates and buckets.
- ▶ Only load adapters with suitable tubes or plates.
- ▶ Always use tubes or plates of the same type (weight, material/density and volume).
- ▶ Check that loading is symmetrical by balancing the adapters and tubes or plates used with scales.

## Instructions for use

### 2 Loading Buckets English (EN)

## 3 Loading the swing-bucket rotor

### 3.1 Inserting the buckets

#### Prerequisites

- The swing-bucket rotor has been inserted into the centrifuge.
- The combination of rotor and bucket has been approved by Eppendorf.
- Matching and tested tubes and plates.

#### 1. Insert the buckets into the rotor.

All rotor positions must be equipped with buckets.

#### 2. Check to see if all buckets are completely inserted and can freely swing out.

- i** ▶ Only use commercially available microplates, culture plates and deepwell plates.
- i** ▶ When using a vessel type or plate type for the first time, carry out a brief centrifugation test at low speed (e.g. 1000 rpm).

### 3.2 Loading the buckets symmetrically

- ▶ In order to avoid imbalances, always load the plates symmetrically.

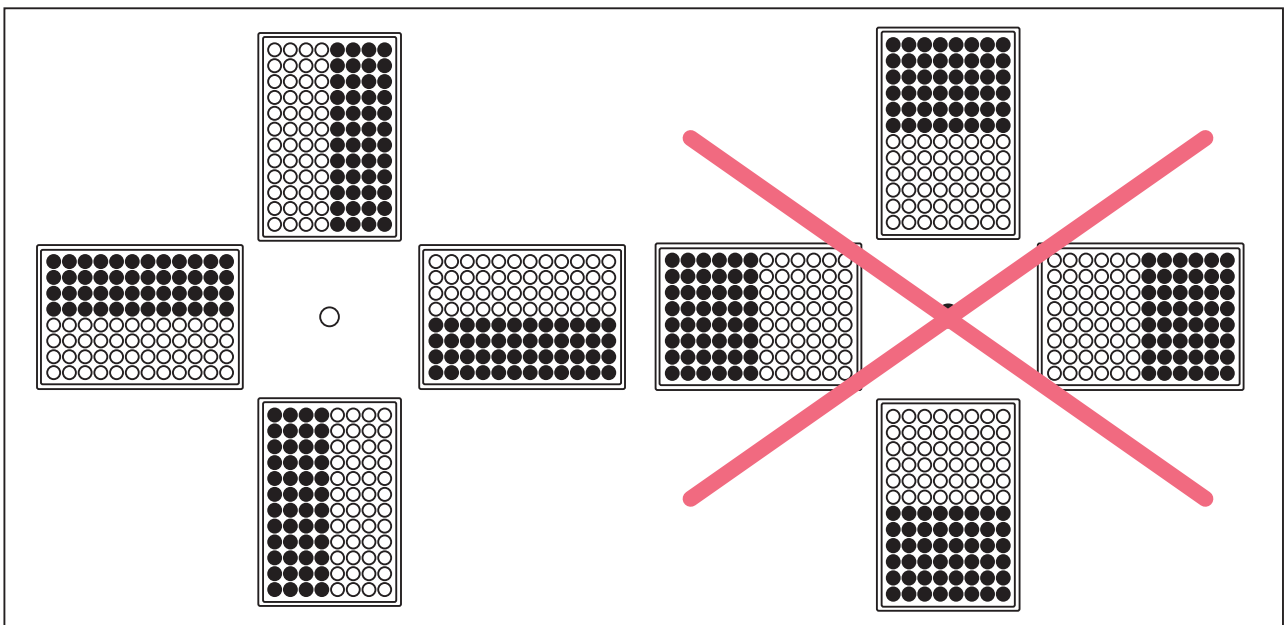


Fig. 1: Symmetrical loading of plates

The plate loading shown on the right-hand side is incorrect as the buckets will not swing properly if loaded in this way.

### 3.3 Incorrect loading

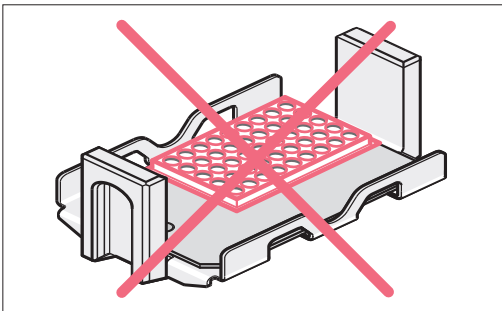


Fig. 2: The inserted plate is too small

Only use plate sizes that are appropriate for the plate bucket.

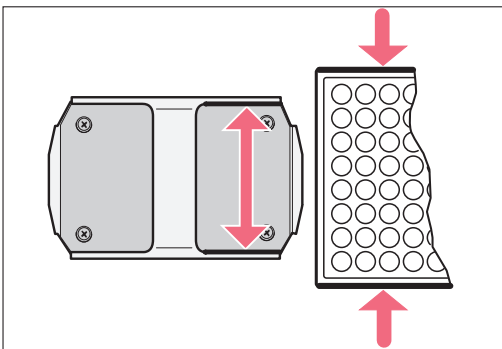


Fig. 3: The inserted plate is too wide

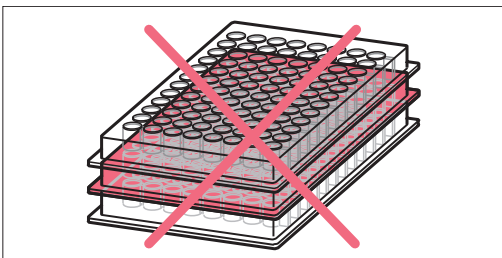


Fig. 4: Use of plates by different manufacturers

Only use plates by one and the same manufacturer for one plate bucket.

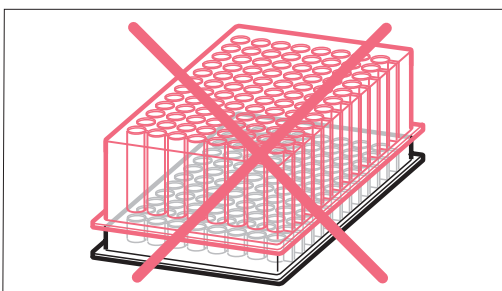


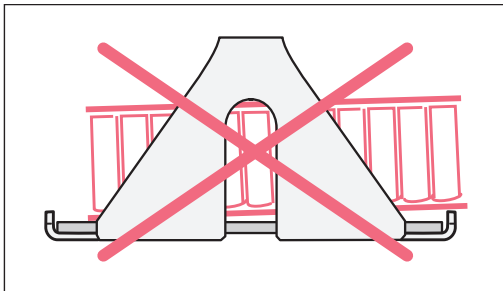
Fig. 5: Use of different plate types in one bucket

Only use plates of the same type (DWP or MTP) in one plate bucket.

## Instructions for use

Loading Buckets

English (EN)



Always insert the plates completely into the buckets.

Fig. 6: Plate has not been inserted completely

## 4 Ordering information

Order no. (International)	Order no. (North America)	Description
5804 740.009	022638564	<b>Rotor A-2-DWP</b> Deepwell plates rotor, incl. 2 buckets
5804 743.008	022638556	<b>Plate bucket</b> used in A-2-DWP Set of 2
5810 711.002	022638041	<b>Rotor A-4-62-MTP</b> incl. 4 MTP buckets
5810 702.003	022638068	<b>MTP bucket for A-4-62</b> for 4 MTP or 1 DWP Set of 4
5810 725.003	022638807	<b>Rotor A-4-81-MTP/Flex</b> Swing-bucket rotor, incl. 4 MTP/Flex buckets
5810 741.009	022638840	<b>MTP/Flex buckets for Rotor A-4-81 or A-4-81-MTP/Flex</b> for use with IsoRack and cell culture flask adapters as well as MTP and DWP Set of 4
5427 700.005	022634403	<b>Rotor A-2-MTP</b> with 2 buckets and windshield upper shell
5427 722.009	022634420	<b>MTP buckets for A-2-MTP</b> Set of 2

Your local distributor: [www.eppendorf.com/contact](http://www.eppendorf.com/contact)

Eppendorf AG · 22331 Hamburg · Germany

[eppendorf@eppendorf.com](mailto:eppendorf@eppendorf.com) · [www.eppendorf.com](http://www.eppendorf.com)