

Instructions for use

Loading Buckets

English (EN)

This document is a supplement to the operating manual of the centrifuge and not a replacement for it. Therefore, please also read the operating manual before starting up the rotors for the first time. You can find the current version on the Internet at www.eppendorf.com.

1 User instructions

These instructions for use apply for loading the buckets of the swing-bucket rotors as listed in table 1.

You must not exceed the maximum admissible load and the loading height of the swing-bucket rotor.

Tab. 1: Maximum admissible load and loading height of the rotors

Rotor	Centrifuge	Maximum admissible loading height	Maximum admissible load
A-2-DWP	Centrifuge 5804/ 5804R/5810/5810 R	89 mm	380 g
A-4-62-MTP	Centrifuge 5804/ 5804R/5810/5810 R	53 mm	
A-4-81-MTP/Flex	Centrifuge 5810/ 5810 R	60 mm	
A-2-MTP	Centrifuge 5430/ 5430 R	29 mm	170 g

2 Safety



CAUTION! Risk of injury due to asymmetric loading of a rotor.

- ▶ Load rotors symmetrically with identical tubes or plates and buckets.
- ▶ Only load adapters with suitable tubes or plates.
- ▶ Always use tubes or plates of the same type (weight, material/density and volume).
- ▶ Check that loading is symmetrical by balancing the adapters and tubes or plates used with scales.

Instructions for use

2 Loading Buckets English (EN)

3 Loading the swing-bucket rotor

3.1 Inserting the buckets

Prerequisites

- The swing-bucket rotor has been inserted into the centrifuge.
- The combination of rotor and bucket has been approved by Eppendorf.
- Matching and tested tubes and plates.

1. Insert the buckets into the rotor.

All rotor positions must be equipped with buckets.

2. Check to see if all buckets are completely inserted and can freely swing out.

- i** ▶ Only use commercially available microplates, culture plates and deepwell plates.
- i** ▶ When using a vessel type or plate type for the first time, carry out a brief centrifugation test at low speed (e.g. 1000 rpm).

3.2 Loading the buckets symmetrically

- ▶ In order to avoid imbalances, always load the plates symmetrically.

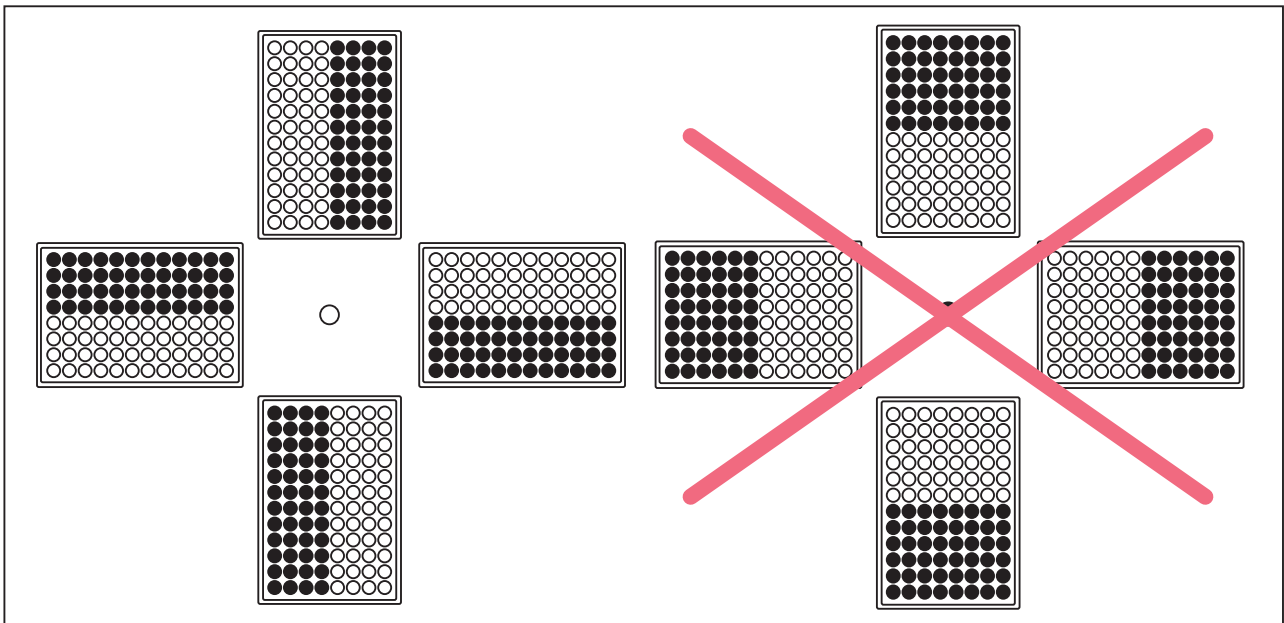


Fig. 1: Symmetrical loading of plates

The plate loading shown on the right-hand side is incorrect as the buckets will not swing properly if loaded in this way.

3.3 Incorrect loading

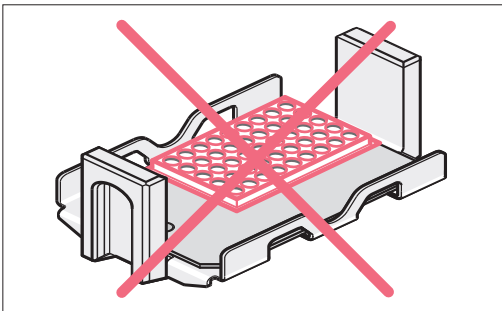


Fig. 2: The inserted plate is too small

Only use plate sizes that are appropriate for the plate bucket.

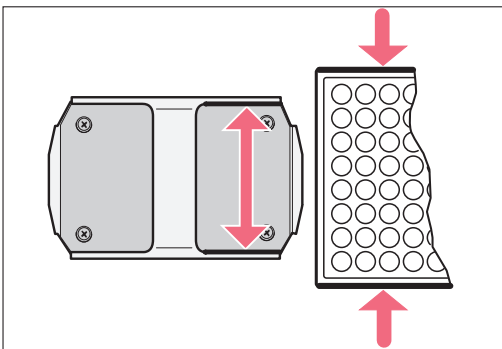


Fig. 3: The inserted plate is too wide

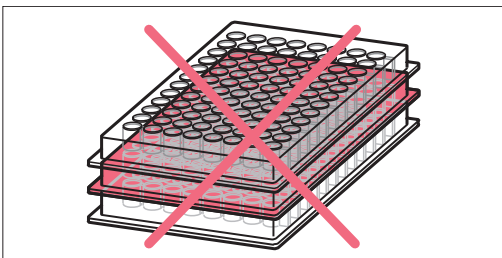


Fig. 4: Use of plates by different manufacturers

Only use plates by one and the same manufacturer for one plate bucket.

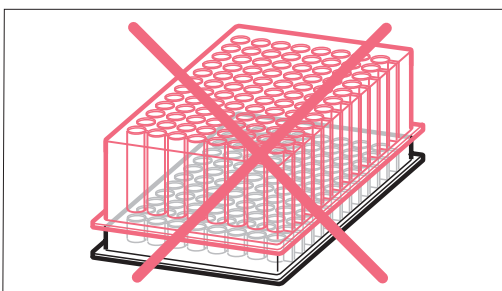


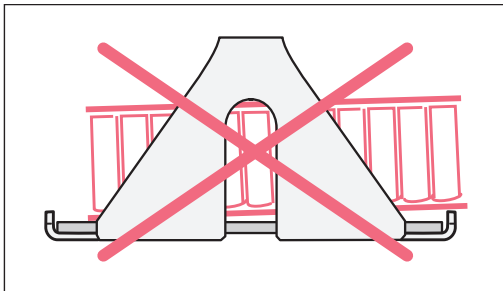
Fig. 5: Use of different plate types in one bucket

Only use plates of the same type (DWP or MTP) in one plate bucket.

Instructions for use

Loading Buckets

English (EN)



Always insert the plates completely into the buckets.

Fig. 6: Plate has not been inserted completely

4 Ordering information

Order no. (International)	Order no. (North America)	Description
5804 740.009	022638564	Rotor A-2-DWP Deepwell plates rotor, incl. 2 buckets
5804 743.008	022638556	Plate bucket used in A-2-DWP Set of 2
5810 711.002	022638041	Rotor A-4-62-MTP incl. 4 MTP buckets
5810 702.003	022638068	MTP bucket for A-4-62 for 4 MTP or 1 DWP Set of 4
5810 725.003	022638807	Rotor A-4-81-MTP/Flex Swing-bucket rotor, incl. 4 MTP/Flex buckets
5810 741.009	022638840	MTP/Flex buckets for Rotor A-4-81 or A-4-81-MTP/Flex for use with IsoRack and cell culture flask adapters as well as MTP and DWP Set of 4
5427 700.005	022634403	Rotor A-2-MTP with 2 buckets and windshield upper shell
5427 722.009	022634420	MTP buckets for A-2-MTP Set of 2

Your local distributor: www.eppendorf.com/contact

Eppendorf AG · 22331 Hamburg · Germany

eppendorf@eppendorf.com · www.eppendorf.com