

Mechanical XY Stage Quick Operation Guide

Unpacking:

Please confirm all items below are included:

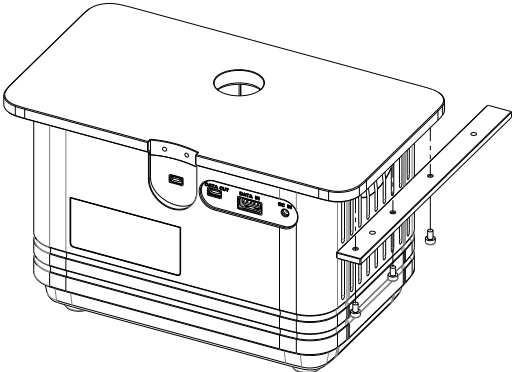
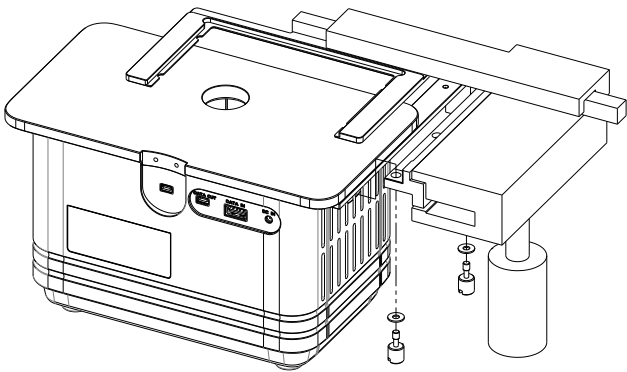
- XY Stage x 1 (with Thumbscrew x 2)
- Quick Operation Guide x 1
- Vessel Adaptor x 4
- Adaptor Plate x 1
- Hex Wrench x 1
- Fixation Screw x 3

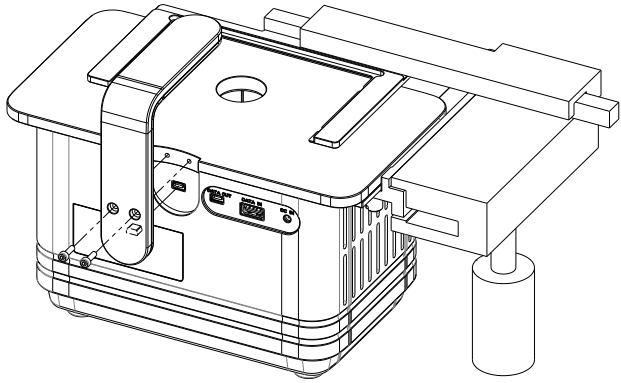
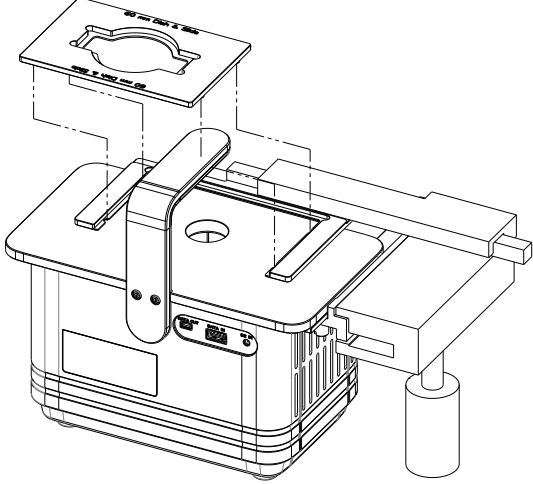
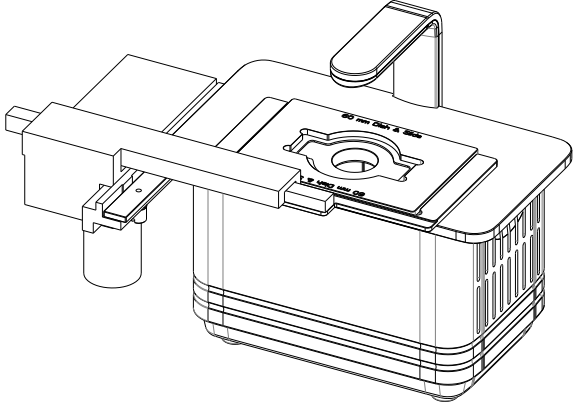
Before Start:

1. Clean the Mechanical XY Stage with a lint-free cloth or Kimwipe™ soaked with 70% EtOH.

Note: Do not use acetone to clean the device or autoclave the device.

2. **REMOVE** the LED Lamp Arm from the EzScope 101 before the XY Stage installation.

Step	Figure	Description
1		<p>Screw the Adaptor Plate to the EzScope 101.</p> <p>(Figure is showed from the rear)</p>
2		<p>Screw the XY Stage to the Adaptor Plate using 2 thumbscrews.</p>

Step	Figure	Description
3		<p>Plug the mini USB of the LED Lamp Arm into the mini USB port of the EzScope 101. Tighten 2 screws with the hex wrench.</p>
4		<p>(Optional) Place a Vessel Adaptor on the XY Stage.</p>
5		<p>Final front view.</p>

Note:

1. The contents of this document are subject to change without prior notice. Please visit Blue-Ray Biotech’s website at www.blue-raybio.com for updated information.
2. If you have any questions about the operation of the Mechanical XY Stage, please contact your local distributor or email sales@blue-raybio.com for assistance.