	TECHNICAL DELIVERY CONDITION 50145670	Page: 1 of 2 Date: 02.12.2020
	Article name: mySPIN6 Instruction Manual	Internal note: mySPIN6 Instruction Manual.pdf
		Editor:
		Approval:

Article name: MYSPIN 6 INSTRUCTION MANUAL

Editor: Gayathri Duggirala

Date: 02.12.2020

Place: R&D IEC HYD


Table of Contents

1	Description	2
2	Specifications	2
3	Attachment	2

History

f	TBD	Correction of product name, re-translation from EN	02.12.2020	Gayathri Duggirala
e	219460	Updated as per ECR 219460	26.08.2020	Gayathri Duggirala

Rev.	ECR No.	Description	Date	Name CHKD
f	TBD	Correction of product name, re-translation from EN	12.02.2020	Gayathri Duggirala

	TECHNICAL DELIVERY CONDITION 50145670	Page: 2 of 2 Date: 02.12.2020	
	Article name: mySPIN6 Instruction Manual	Internal note: mySPIN6 Instruction Manual.pdf	
			Editor:
			Approval:
Gayathri Duggirala			

1	Description
	Refers to the instruction manual for the mySPIN 6 in English, French, Italian, German and Spanish.
2	Specifications
	Only relevant, if printed! <ul style="list-style-type: none"> • Print in upright format. Custom page size: 4.9 inch x 8.50 inch. • 2 pages cover • Cover bright white 160 g/m² • Content bright white 80 g/m² • Double-sided print, colored • Stapled
3	Attachment
	User Instruction sheet in PDF format.

Rev.	ECR No.	Description	Date	Name CHKD
f	TBD	Correction of product name, re-translation from EN	12.02.2020	Gayathri Duggirala

thermo scientific



Thermo Scientific mySPIN 6 Mini Centrifuge

Instruction Manual

50145670-f • 12 / 2020

ThermoFisher
SCIENTIFIC

Contents

Safety Precautions	1
Specifications	5
Environmental Ratings.....	5
Technical Features	5
Electrical	5
Accessories	6
Operation.....	8
Operating the mySPIN 6 in a Lab	8
Operating the mySPIN 6 in a Remote	10
Environment.....	10
Rotor Replacement	10
Maintenance	11
Troubleshooting	12
Disposal	12
Regulatory Information	13
Warranty	14
Contact Information	15

Safety Precautions

The Thermo Scientific™ mySPIN 6 is a personal mini centrifuge designed for laboratories in the bioscience, medical, and chemistry fields. It may be used with biohazardous and/or hazardous materials. It is the responsibility of the user to consult and observe all health and safety precautions and to assess the instrument's suitability to the task.

Before starting the centrifuge for the first time, read this instruction manual carefully. This manual contains important information, safeguards, and operating instructions.



CAUTION Never use this product in any manner inconsistent with these instructions.



CAUTION This product is intended for separating aqueous solutions in approved test tubes compatible to the RCF of this unit.



CAUTION This product is not intended to centrifuge very dense materials. Do not use materials with a density greater than 1.2 g/cm³ (1.2 g/mL).



CAUTION Use only the power adapter delivered with the product. Use of other power adapters will void warranty.



CAUTION Do not put hands in the rotor area unless the rotor is completely stopped.



CAUTION Only use the originally supplied rotors, AC adapters, tube adapters and any other spare parts delivered with the unit. These parts have been designed to safely meet the maximum RCF that the centrifuge is able to deliver. **DO NOT USE ROTORS OR COMPONENTS FROM ANY OTHER MANUFACTURER.**



CAUTION Always make sure the rotors are securely seated.



CAUTION Observe general laboratory safety precautions and regulations.



CAUTION Do not attempt to operate with the cover removed or open.



CAUTION The rotor and lid must always be securely fastened when in operation.



CAUTION Do not use damaged rotors.



CAUTION Do not move unit while the rotor is spinning.



CAUTION Do not attempt to stop the rotor while the unit is running. Doing so may cause injury or the unit to fail and will void the warranty.



CAUTION mySPIN 6 mini centrifuge shall not be operated in wet conditions, including but not limited to rain, snow, immersion in water. Injury due to shock or fire may result.



CAUTION The rotor must be loaded symmetrically. Operating this unit with an unbalanced rotor will cause severe vibration and damage, which is not covered by warranty.



CAUTION Do not fill tubes while inserted in rotor. Spilled liquid may harm unit.



CAUTION Close tube lids before starting centrifuge. Open lids can be ripped off during centrifugation and damage the unit. Open lids can cause fluid to be dispersed inside the centrifuge.



CAUTION Do not insert non-standard tubes or other unfamiliar articles into the rotor.



CAUTION Follow all precautions from the Material Safety Data Sheet (MSDS) for any reagent you use with this instrument.



CAUTION Do not use solvent or flammable liquids near this or other electrical equipment.



CAUTION Do not centrifuge materials that in combination or alone are flammable, explosive, or corrosive, or may cause any other hazard.



CAUTION Do not operate in a hazardous or flammable environment.



CAUTION Do not use any solvent on the unit that may attack plastic or rubber or cause cracks in the rotor.



CAUTION Ensure the rotor is protected from corrosion and mechanical damage. The rotor must be cleaned with a pH-neutral cleaning liquid.



CAUTION Before using any cleaning or decontamination methods except those recommended in this manual, contact Thermo Fisher Scientific to ensure that the proposed method will not damage the device.



CAUTION If a single level of hazard protection is required, make sure to use containers that are tested to Risk Group II or above and that more than one level of protection is provided in the case of materials of a higher Risk Group.



CAUTION Should the unit fail to work to specification, stop centrifuging immediately and allow the rotor to come to a complete stop. Clean and troubleshoot the product according to the instructions under “**Troubleshooting**” before any further use of the product. Contact an authorized dealer or the manufacturer if trouble persists.



CAUTION Always work in a manner which endangers neither the user nor any other person.



CAUTION Repairs are to be performed by trained and authorized service personnel only. Contact Thermo Fisher Scientific.



CAUTION Opening the instrument housing or improper use of the instrument voids the warranty. If there is a failure during the warranty period, contact Thermo Fisher Scientific for warranty service.



CAUTION Do not use units that have not been correctly installed or repaired.



CAUTION Do not attempt to disassemble or modify this product.



CAUTION Store at room temperature in a dry area. Do not expose to sunlight, moisture, or extreme temperatures for prolonged periods of time.



WARNING The laboratory procedure shall ensure that no person or hazardous substances are present within a 12" (30 cm) zone around the centrifuge when operating.



WARNING If this product is not used as recommended by the manufacturer, the overall safety will be impaired.



WARNING Check MSDS, wear required Personal Protective Equipment, and observe all applicable local and national regulations before dispensing and disposing of hazardous materials.



WARNING This product does not contain bio-seals as per IEC/EN/CSA 61010-2-020 and cannot provide any level of containment in case of a spill or release of toxic, radioactive, or pathogenic micro-organisms. Thus these materials are not recommended to be used with this product.

Specifications

Environmental Ratings

Altitude:	up to 2000 m
Operating Temperature:	0 °C to 40 °C (32 °F to 104 °F)
Storage Temperature:	-20 °C to 40 °C (-4 °F to 104 °F)
Maximum Relative Humidity:	80% for temperatures up to 31 °C decreasing linearly to 50% relative humidity at 40 °C
Relative Humidity during operation:	10% to 90% (non-condensing)
Relative humidity during storage:	10% to 90%

Technical Features

Capacity:	Standard rotor 6 x 2.0 mL PCR strip rotor 2 x 8 x 0.2 mL
Maximum speed:	6,000 rpm
Maximum RCF:	2,000 x g
Dimensions:	153 mm x 128 mm x 104 mm (L x W x H)
Weight:	1.6 lb (0.73 kg) (with rotor) 1.9 lb (0.86 kg) (with power adapter)

Electrical

mySPIN 6

Input: 12 V DC

Current (under load): Approx. 0.6 A

Power: Approx. 7.3 W

Power Adapter rating

Input: 100–240 V AC 50/60 Hz, 1.0 A

Output: 12 V DC, 2.2 A

12 V Car Adapter

Input / Output: 12–13.8 V

Rating: 12 V DC

Accessories

Cat. No	Description
75004061	mySPIN 6 mini centrifuge Includes: <ul style="list-style-type: none">• 6 x 1.5 / 2.0 mL tube rotor• 16 x 0.2 mL tube rotor (singles or 2 x 8 strip)• 0.2 mL tube adapters (set of 6)• 0.5 mL tube adapters (set of 6)• Storage case for rotors and adapters• Tube rack• Universal power adapter 100–240 V 50 / 60 Hz, with 4 inter-changeable plug types
75004085	mySPIN 6 Portable Kit Complete
Replacement Parts	
75004062	6 x 1.5 / 2 mL circular rotor
75004063	16 x 0.2 mL tube rotor (singles or 2 x 8 strip)
20290729	Replacement O-ring
50146145	Tube adapter inserts for 0.2 / 0.5 mL (12 per pack; 6 of each size)
75004064	Power adapter and universal power cord set
75004086	mySPIN 6 Transport Box with inserts
75004087	mySPIN 6 12 V Car Adapter

mySPIN 6 Portable Kit (75004085):

The mySPIN 6 Portable Kit is intended for separating samples outside the laboratories or in a remote location. The kit includes:

- mySPIN 6 mini centrifuge complete with instruction manual
- Clear lockable transport box
- Set of dividers with integral tube rack, dividers designed to fit mySPIN 6
- 12 V automobile power adapter, for connection from cigarette lighter socket to mySPIN 6 mini centrifuge.

mySPIN 6 Transport Box with Inserts (75004086):

The transport box is intended to accommodate the mySPIN 6 mini centrifuge with other necessary accessories, like rotor and tube rack to carry them out from the laboratories for field work.

- Dimensions: 380 mm x 196 mm x 160 mm (L x W x H)
- Weight: 1.2 kg
- Autoclavable
- Watertight (leak-proof), silicone seal
- Leak proof when submerged in 1 meter of water
- Supports up to 4 kg of weight

The 6 inserts inside the transport box are shown in the figure below.

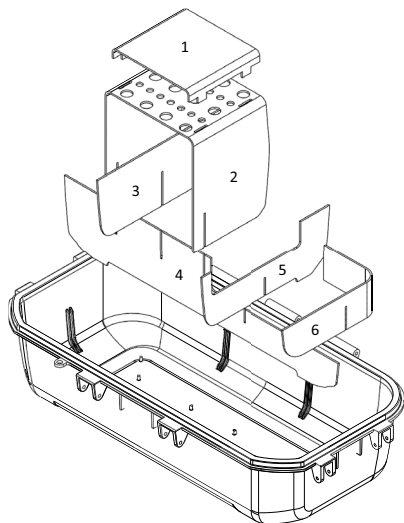


Figure 1. Inserts of Transport Box

You may add or remove the inserts as per your requirements.

12 V Car Adapter (75004087):

The 12 V car adapter is used to power up the mySPIN 6 unit and perform the sample separation in the field.

- Cable length: 1,500 mm
- 24 awg / 2 C cable
- Plug fit in different cars with a cigarette lighter socket

Operation

Operating the mySPIN 6 in a Lab

1. Remove the contents from the package, examining them carefully for breakage, defects, or missing parts. Save the packaging.

Notice The unit shall be discarded if the locks or housing are broken or cracked. Follow your facility or region policies for the disposal of biological hazardous materials.

2. Place the mySPIN 6 on a sturdy, level surface away from the edge of the counter and other moving equipment. Make sure the power cord is clear of hot surfaces and other hazards.



WARNING Spin balanced loads only. Do not place the tubes asymmetrically nor load unequal volume tubes. Improper placement of tubes will lead to insufficient centrifugation and may cause injury or accident.

3. Prior to every use, inspect unit for cracks, missing pieces, and/or any damage that would result in an impaired performance and notify Thermo Fisher Scientific BEFORE use.
4. Verify that the power switch is in the OFF position. Plug the power adapter cord into the rear of the unit and the power cord into an approved outlet. Make sure that the power cord connector can be readily grasped at the rear of the device so that it can be removed to easily disconnect it from the centrifuge.
5. Turn power switch ON. If there is a smooth whirring sound and the unit accelerates with little or no vibration, mySPIN 6 is ready to use. If there are loud or unusual sounds, or excessive vibration, DO NOT OPERATE. Contact Thermo Fisher Scientific Technical Support.
6. On benchtop prepare samples tubes in rack so that tubes are filled to equal levels. Close tube lids.
7. To open lid, firmly tilt lid toward rear of unit.

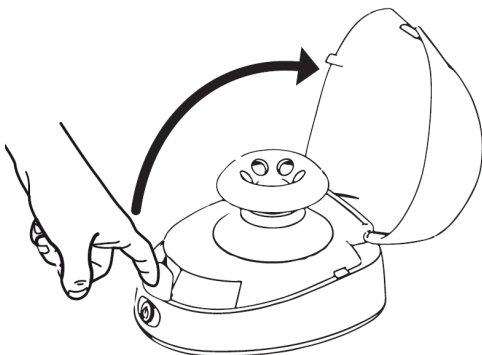


Figure 2. Open lid of mini centrifuge



WARNING The laboratory procedure shall ensure that no person or hazardous substances are present within a 12" (30 cm) zone around the centrifuge when operating.

- Tubes of equal weight and size shall be placed opposite each other. Use sample or water in tube to provide balance. Proper sample balancing illustrated below.
- Do not force tubes into the rotor. Use adapters and correctly sized rotors for your application.

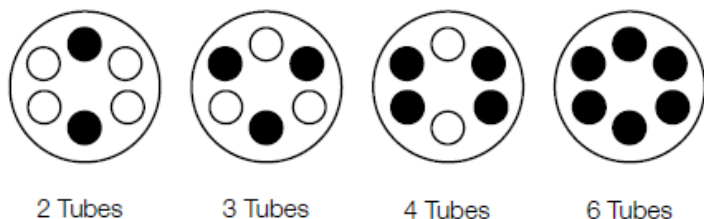


Figure 3. SnapSpin Circular Rotor

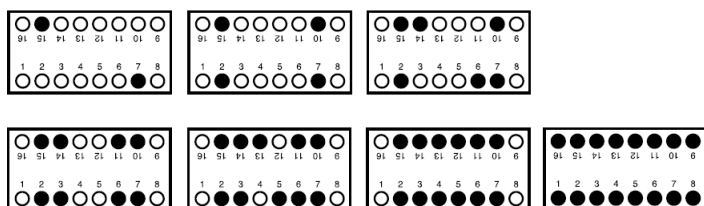



Figure 4. SnapSpin Strip Tube

- Close lid securely. A properly closed lid will grasp the front silicon tab keeping the lid closed. If a clicking sound is heard while the unit is operating, the lid is not fully closed. Do not attempt to operate with the lid removed or open. Turn power switch ON. Unit will not operate with lid open. If there is a smooth whirring sound and the unit accelerates with little or no vibration, mySPIN 6 is ready to use. If there are loud or unusual sounds, or excessive vibration, DO NOT OPERATE. Contact the Thermo Fisher Scientific Technical Support.
- To stop centrifugation, press power switch and wait until the rotor has completely stopped rotating before opening the lid.



WARNING Do not open lid until rotor has completely stopped! Avoid severe personal injury or property damage from moving parts.

Operating the mySPIN 6 in a Remote Environment

1. Place the mySPIN 6 on a sturdy, level surface away from the edge of the counter and other moving equipment.
2. Verify that the power switch is in the OFF position.
3. Plug the 12 V car adapter into the car cigarette lighter socket.
4. Press the power button  on the centrifuge.
5. Follow step 7 to step 10 from the procedure above in **Operating the mySPIN 6 in a Lab**.
6. Remove the adapter from the car.



CAUTION Prevent any twists or bends to the adapter cable to avoid any damages.

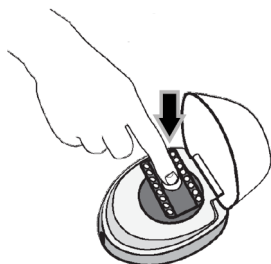
Notice The unit must be sealed securely and locked when carried with samples enclosed.

Rotor Replacement

To remove SnapSpin™ rotor: Press center button firmly and at the same time lift rotor upwards.



To install SnapSpin™ rotor: Set rotor onto the hex shaft. Press center button firmly and downward. Rotor shall latch with a click sound.



Maintenance

mySPIN 6 is normally maintenance-free. Clean unit only when it is not plugged into an electrical outlet. When necessary, the housing and rotor can be wiped using a damp cloth and a mild, non-corrosive detergent.



WARNING Do not use any solvent on the unit that may attack plastic or cause cracks in the rotor or the unit. Avoid exposure to UV radiation, either natural or man-made. In addition to cracks; discoloration, softening, or crazing of the plastic materials can occur. Corrosion can also occur to the metal parts which are part of the SnapSpin™ rotor feature. This damage can weaken them. Ensure the rotor is protected from corrosion and mechanical damage. The rotor must be cleaned with a neutral cleaning liquid.

Notice Ensure all parts are dry prior to operation.

The transport box can be cleaned using soap, water, bleach mixture, IPA & Ethanol. It is autoclavable at 121°C for 15 minutes.



WARNING Higher temperatures or autoclaving duration may damage the transport box. The box shall be unlocked and open during autoclaving with the silicone seal left in place.

Troubleshooting

Table 1. Troubleshooting

Problem	Possible Cause	Solution
Not working No light	Loose connection of power cord / adapter	Check power cord / adapter
	Front ON / OFF switch	Press front ON / OFF switch
	Lid not closed	Close Lid
Excessive vibration	Rotor not installed correctly	Reinstall rotor
	Rotor not balanced correctly	Check for tubes of equal weight and location (see Operation)
	Soft or uneven surface	Place the mySPIN 6 on a sturdy and level surface.
Noise clicking sound	Lid not fully closed	Close Lid engaging silicon tab with cover
Rotor falls off	Rotor not attached	Reattach rotor (See Rotor Replacement)

Disposal

The equipment you purchased may contain hazardous substances that could impact the environment. Per regulations on electronic devices in the European Community, you must use the appropriate disposal systems to avoid exposure of these substances to the environment. The disposal systems will reuse or recycle hazardous materials from your equipment responsibly.

The crossed-out wheeled bin symbol invites you to use those systems.



If you need more information on the collection, reuse and recycling systems, please contact your local or regional waste administration. You can also contact us for more information on the environmental performance of our products.

Regulatory Information



This mark is the confirmation that the unit conforms to the EU requirements.



Conforms to:

ANSI/UL Std. 61010-1

IEC/EN 61010-1

IEC/EN 61010-2-020

CAN/CSA C22.2 No. 61010-1.

Warranty

IN NO EVENT WILL THERMO FISHER SCIENTIFIC OBLIGATION UNDER THIS WARRANTY EXCEED THE PRICE OF THE PRODUCT.

Limited Warranty

Thermo Fisher Scientific warrants that mySPIN 6 will be free from defects in workmanship and material for 3 years from the date of purchase.

Thermo Fisher Scientific provides one year warranty for the transport box and 12 V car adapter from date of purchase.

If you believe that there is a defect in the product, you must, during the warranty period, notify Thermo Fisher Scientific, provide proof of purchase, and return the product to Thermo Fisher Scientific with a Return Authorization form.

If Thermo Fisher Scientific is properly notified and, after inspection, confirms that there is a defect and the warranty period has not expired, Thermo Fisher Scientific will repair, modify, or replace the product, at its sole option, at no charge.

OTHER THAN THIS LIMITED WARRANTY, THERMO FISHER SCIENTIFIC MAKES NO WARRANTIES, EXPRESS OR IMPLIED, WITH RESPECT TO THE QUALITY OR PERFORMANCE OF THE PRODUCT, INCLUDING BUT NOT LIMITED TO THE IMPLIED WARRANTIES OF MERCHANTABILITY AND FITNESS FOR PARTICULAR PURPOSE WHICH ARE HEREBY DISCLAIMED AND EXCLUDED. THERMO FISHER SCIENTIFIC WILL IN NO EVENT BE LIABLE FOR ANY LOSS OF USE, LOSS OF PROFITS, CONSEQUENTIAL, SPECIAL, EXEMPLARY OR PUNITIVE DAMAGES.

THIS WARRANTY DOES NOT COVER:

ACCESSORY PARTS, SUCH AS RUBBER PARTS, THAT ARE DAMAGED BY LIQUIDS OR MISUSE.

ANY DEFECT OR DAMAGE CAUSED BY IMPROPER OR UNREASONABLE USE OF THE PRODUCT. (mySPIN 6 IS DESIGNED FOR USE ONLY BY TRAINED LABORATORY TECHNICIANS. USE BY ANYONE ELSE WILL VOID THIS WARRANTY.)

ANY PRODUCT THAT HAS BEEN, IN THERMO FISHER SCIENTIFIC SOLE JUDGEMENT, TAMPERED WITH, ALTERED, OR REPAIRED BY ANYONE OTHER THAN THERMO FISHER SCIENTIFIC.

ANY PRODUCT THAT IS INOPERATIVE BECAUSE OF: (a) WEAR OCCASIONED BY USE, (b) NEGLIGENCE, (c) ACCIDENT, (d) INCORRECT MAINTENANCE, OR (e) USE UNDER ABNORMAL CONDITIONS OF TEMPERATURE, DIRT OR CORROSION, OR USE WITH ABRASIVE OR CORROSIVE MATERIALS.

Register your warranty online at

www.thermoscientific.com/warranty.

thermo scientific

Contact Information

Thermo Fisher Scientific products are backed by a global technical support team ready to support your applications. Visit www.thermofisher.com or call:

Countries	Sales	Services
North America	+1 866 984 3766	(800) 438-4851
India	1800 22 8374, +91 22 6716 2200	+91 22 6716 2200
China	+800 810 5118, +400 650 5118	+8621 68654588
Japan	+81 3 5826 1616	+81 3 3816 3355
Australia	+61 39757 4300	1 300 735 292
Austria	+43 1 801 40 0	+43 1 801 40 0
Belgium	+32 53 73 42 41	+32 2 482 30 30
France	+33 2 2803 2180	+33 2 2803 2180
Germany	0800 1 536 376, +49 6184 90 6000	0800 1 536 376
Italy	+32 02 95059 552	+39 02 95059 552, 432 254 375
Netherlands	+31 76 579 55 55	+31 76 571 4440
Nordic/Baltic/CIS	+358 9 329 10200	+358 9 329 100
Russia	+7 812 703 4215	+7 812 703 4215
Spain/Portugal	+34 93 223 09 18	+34 93 223 09 18
Switzerland	+41 44 454 12 22	+41 44 454 12 12
UK/Ireland	+44 870 609 9203	+44 870 609 9203
New Zealand	+64 9 980 6700	+64 9 980 6700
Other Asian Countries	+852 2885 4613	+852 2885 4613
Countries not listed	+49 6184 90 6000	+49 6184 90 6000

Distributor: Thermo Electron LED GmbH
Zweigniederlassung Osterode
Am Kalkberg, 37520 Osterode am Harz
Germany

Find out more at thermofisher.com/Centrifuge

© 2016–2020 Thermo Fisher Scientific Inc. All rights reserved. All trademarks are the property of Thermo Fisher Scientific and its subsidiaries unless otherwise specified. Heathrow Scientific is a registered trademark of Heathrow Scientific. All other trademarks are the property of Thermo Fisher Scientific Inc. and its subsidiaries. Specifications, terms and pricing are subject to change. Not all products are available in all countries. Consult your local sales representative for details. Shown pictures within the manual are examples and may differ considering the set parameters and language.

50145670 (English) is the original instruction manual.

Manufacturer: Heathrow Scientific
620 Lakeview Parkway, Vernon Hills
IL, 60061
USA

ThermoFisher
SCIENTIFIC

thermo scientific



Mini Centrifuge Thermo Scientific mySPIN 6

Manuel d'instructions

50145670-f • 12 / 2020

ThermoFisher
SCIENTIFIC

Contenu

Mesures de sécurité.....	1
Spécifications	5
Données environnementales	5
Caractéristiques techniques	5
Caractéristiques électriques	5
Accessoires	6
Fonctionnement.....	8
Utilisation de l'appareil mySPIN 6 dans un laboratoire	8
Utilisation de l'appareil mySPIN 6 dans un emplacement distant	10
Remplacement du rotor	10
Entretien	11
Dépannage	12
Exigences d'élimination	12
Informations réglementaires	13
Garantie.....	14
Coordonnées	15

Mesures de sécurité

La mini centrifugeuse mySPIN 6 de Thermo Scientific™ est un dispositif personnel conçu pour les laboratoires biologiques, médicaux et chimiques. Elle peut impliquer l'utilisation de matériaux biologiquement dangereux et/ou toxiques. Il est de la responsabilité de l'utilisateur de consulter et de respecter toutes les mesures de sécurité et de prévention des accidents et d'évaluer la compatibilité du matériel avec la tâche à effectuer.

Veuillez lire attentivement ce manuel avant la première utilisation de la centrifugeuse. Il contient des informations, des mises en garde et des consignes d'utilisation importantes.



ATTENTION Ne jamais utiliser ce produit d'une manière non conforme aux instructions.



ATTENTION Ce produit est conçu pour séparer des solutions aqueuses dans des tubes à essais approuvés, compatibles à l'ACR de cet appareil.



ATTENTION Ce produit n'est pas conçu pour centrifuger des matériaux très denses. Ne pas utiliser de matériaux d'une densité supérieure à 1,2 g/cm³ (1,2 g/ml).



ATTENTION Utiliser uniquement le bloc d'alimentation électrique fourni avec le produit. L'utilisation d'autres blocs d'alimentation annulerait la garantie.



ATTENTION Ne pas mettre les mains dans la zone du rotor à moins que celui ne soit complètement arrêté.



ATTENTION Utiliser uniquement les rotors, blocs d'alimentation CA, adaptateurs de tubes et autres pièces détachées d'origine fournies avec le produit. Ces pièces ont été conçues pour assurer l'ACR maximale que la centrifugeuse peut atteindre. **NE PAS UTILISER DE ROTORS NI D'AUTRES COMPOSANTS D'UN AUTRE FABRICANT.**



ATTENTION Toujours s'assurer que les rotors de la centrifugeuse mySPIN 6 sont installés en toute sécurité.



ATTENTION Respecter les mesures et les réglementations générales des laboratoires en matière de sécurité.



ATTENTION Ne pas essayer de faire fonctionner l'appareil avec le couvercle ouvert ou retiré.



ATTENTION Le rotor et le couvercle doivent toujours être solidement fixés lorsque l'appareil fonctionne.



ATTENTION Ne pas utiliser de rotors endommagés.



ATTENTION Ne pas déplacer l'appareil lorsque le rotor tourne.



ATTENTION Ne pas essayer d'arrêter le rotor lorsque l'appareil fonctionne. Cela pourrait entraîner des blessures ou un dysfonctionnement de l'appareil, conduisant à l'annulation de la garantie.



ATTENTION La mini centrifugeuse mySPIN 6 ne doit pas fonctionner dans des conditions humides, y compris mais sans s'y limiter, la pluie, la neige et l'immersion dans l'eau. Cela pourrait entraîner des blessures par brûlure ou choc électrique.



ATTENTION Le rotor doit être chargé de façon symétrique. Faire fonctionner l'appareil avec un rotor déséquilibré pourrait entraîner d'importantes vibrations et provoquer des dommages qui ne seraient pas couverts par la garantie.



ATTENTION Ne pas remplir les tubes lorsqu'ils sont insérés dans le rotor. Le déversement pourrait nuire à l'appareil.



ATTENTION Fermer les couvercles des tubes avant de démarrer la centrifugeuse. Les couvercles ouverts pourraient être arrachés lors de la centrifugation et endommager l'appareil. En outre, si les couvercles ne sont pas fermés, un déversement risque de se produire à l'intérieur de la centrifugeuse.



ATTENTION Ne pas insérer de tubes non standards ni d'autres accessoires non conformes dans le rotor.



ATTENTION Suivre toutes les précautions figurant dans la fiche de données de sécurité (FDS) concernant les réactifs utilisés avec cet appareil.



ATTENTION Ne pas utiliser de liquides solvants ou inflammables près de cet appareil ou tout autre équipement électrique.



ATTENTION Ne pas centrifuger de matériaux qui, seuls ou associés, seraient inflammables, explosifs ou corrosifs, ou qui pourraient constituer un danger.



ATTENTION Ne pas faire fonctionner l'appareil dans un environnement dangereux ou inflammable.



ATTENTION Ne pas utiliser de solvant qui pourrait attaquer le plastique ou le caoutchouc de l'appareil, ou créer des fissures dans le rotor.



ATTENTION S'assurer que le rotor est protégé de la corrosion et des dommages mécaniques. Le rotor doit être nettoyé avec un liquide de pH neutre.



ATTENTION Avant d'utiliser toute méthode de nettoyage ou de décontamination, à l'exception de celles recommandées dans ce manuel, veuillez contacter Thermo Fisher Scientific afin de vous assurer que celle-ci n'endommagerait pas le dispositif.



ATTENTION Si un seul niveau de protection est exigé, veiller à utiliser les récipients testés pour le groupe à risque II ou supérieur, et dans le cas de matériaux appartenant à un groupe de risque élevé, s'assurer qu'il existe plus d'un niveau de protection.



ATTENTION Si l'appareil cesse de fonctionner conformément aux spécifications, arrêter immédiatement la centrifugation et attendre l'arrêt complet du rotor. Nettoyer et résoudre le problème selon les « instructions d'entretien » (**Dépannage**) avant toute nouvelle utilisation. Contacter un revendeur autorisé ou le fabricant si le problème persiste.



ATTENTION Toujours faire fonctionner l'appareil de manière à ne pas mettre en danger l'utilisateur ou toute autre personne.



ATTENTION Les réparations doivent être exécutées uniquement par un personnel qualifié et autorisé. Contacter Thermo Fisher Scientific.



ATTENTION L'ouverture du boîtier de l'appareil ou l'utilisation inappropriée de celui-ci annulerait la garantie. En cas de dysfonctionnement durant la période de garantie, contacter le service de garantie de Thermo Fisher Scientific.



ATTENTION Ne pas utiliser les appareils qui n'ont pas été correctement installés ou réparés.



ATTENTION Ne pas essayer de démonter ou modifier ce produit.



ATTENTION Conserver à température ambiante dans un endroit sec. Ne pas exposer au soleil, à l'humidité ou à des températures extrêmes durant une période prolongée.



AVERTISSEMENT La procédure de laboratoire doit garantir qu'aucune personne ou substance dangereuse n'est présente dans une zone de 30 cm (12") autour de la centrifugeuse pendant son fonctionnement.



AVERTISSEMENT Si ce produit n'est pas utilisé comme recommandé par le fabricant, la sécurité globale s'en verra altérée.



AVERTISSEMENT Vérifier la FDS, porter un équipement de protection approprié et respecter toutes les réglementations locales et nationales en vigueur avant d'éliminer les matériaux dangereux.



AVERTISSEMENT Ce produit ne contient pas de scellés biologiques selon les normes CEI/EN/CSA 61010-2-020 et ne peut donc assurer aucun niveau d'isolation en cas de déversement ou de rejet de micro-organismes toxiques, radioactifs ou pathogènes. Ainsi, l'utilisation de ces matériaux n'est pas recommandée avec ce produit.

Spécifications

Données environnementales

Altitude :	jusqu'à 2000 m
Température de fonctionnement :	0 °C à 40 °C
Température de stockage :	-20 °C à 40 °C
Humidité relative maximale :	80 % pour des températures jusqu'à 31 °C, diminuant de façon linéaire jusqu'à 50 % d'humidité relative à 40 °C.
Humidité relative pendant le fonctionnement :	10 % à 90 % (sans condensation)
Humidité relative pendant le stockage :	10% à 90%

Caractéristiques techniques

Capacité :	Rotore standard 6 x 2,0 mL Rotore per strisce PCR 2 x 8 x 0,2 mL
Vitesse maximale :	6000 tr/min
ACR maximale :	2000 x g
Dimensions :	153 mm x 128 mm x 104 mm (L x l x H)
Poids :	0,73 kg (avec rotor) 0,86 kg (avec bloc d'alimentation électrique)

Caractéristiques électriques

mySPIN 6

Entrée : 12 V CC
Courant (sous charge) : env. 0,6 A
Puissance : environ 7,3 W

Puissance de l'adaptateur

Entrée : 100–240 V CA, 50/60 Hz, 1,0 A
Sortie : 12 V CC, 2,2 A

Adaptateur de voiture 12 V

Entrée / Sortie : 12–3,8 V
Données nominales : 12 V CC

Accessoires

Num. de cat.	Description
75004061	La mini centrifugeuse mySPIN 6 comprend : <ul style="list-style-type: none">• Rotor pour 6 tubes de 1,5 / 2,0 ml• Rotor pour 16 tubes x 0,2 ml (simples ou 2 x 8 bandes)• Adaptateurs pour tubes de 0,2 ml (jeu de 6)• Adaptateurs pour tubes de 0,5 ml (jeu de 6)• Boîte de rangement pour les rotors et les adaptateurs• Support de tubes• Adaptateur électrique universel 100–240 V 50 / 60 Hz, avec 4 types de prises interchangeables
75004085	Kit portable complet pour mySPIN 6
Pièces de rechange	
75004062	Rotor circulaire 6 x 1,5 / 2 ml
75004063	Rotor pour 16 tubes x 0,2 ml (simples ou 2 x 8 bandes)
20290729	Joint torique de remplacement
50146145	Inserts pour adaptateur de tube pour 0,2 / 0,5 ml (12 par paquet ; 6 de chaque taille)
75004064	Adaptateur électrique et cordon d'alimentation universel
75004086	Boîte de transport avec inserts pour mySPIN 6
75004087	Adaptateur de voiture 12 V pour mySPIN 6

Kit portable pour mySPIN 6 (75004085):

Le kit portable mySPIN 6 est destiné à la séparation des échantillons en dehors des laboratoires ou à un emplacement éloigné. Le kit comprend :

- Mini centrifugeuse mySPIN 6 livrée avec un manuel d'instructions
- Boîte de transport transparente et verrouillable
- Jeu de séparateurs avec support de tubes intégré, séparateurs conçus pour s'adapter à mySPIN 6
- Adaptateur de voiture 12 V, pour le raccordement de la prise de l'allumecigare à la mini centrifugeuse mySPIN 6.

Boîte de transport avec inserts pour mySPIN 6 (75004086) :

La boîte de transport est destinée à accueillir la mini centrifugeuse mySPIN 6 avec les autres accessoires nécessaires, comme le rotor et le support de tubes, pour les transporter depuis les laboratoires pour le travail sur le terrain.

- Dimensions : 380 mm x 196 mm x 160 mm (L x l x H)
- Poids : 1,2 kg
- Autoclavable
- Joint d'étanchéité en silicone (étanche)
- Étanchéité en cas d'immersion dans 1 mètre d'eau
- Supporte jusqu'à 4 kg

Les 6 inserts à l'intérieur de la boîte de transport sont présentés dans la figure ci - dessous.

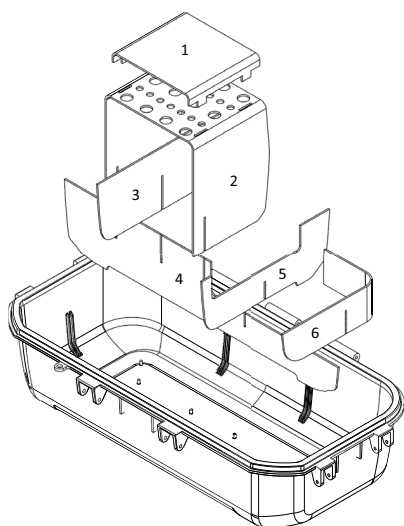


Figure 1. Inserts de la boîte de transport

Vous pouvez ajouter ou retirer les inserts selon vos besoins.

Adaptateur 12 V (75004087) :

L'adaptateur de voiture 12 V est utilisé pour alimenter la mini centrifugeuse mySPIN 6 et effectuer la séparation des échantillons sur le terrain.

- Longueur du câble : 1 500 mm
- Câble 24 awg / 2 C
- Prise adaptée aux différentes voitures équipées d'une prise d'allume-cigare

Fonctionnement

Utilisation de l'appareil mySPIN 6 dans un laboratoire

1. Retirer le contenu de l'emballage en l'examinant soigneusement pour repérer d'éventuels dommages, défauts ou pièces manquantes. Conserver l'emballage.

Avis : L'appareil doit être mis au rebut si les serrures ou le boîtier sont cassés ou fissurés. Suivez les politiques de votre établissement ou de votre région concernant l'élimination des matières biologiques dangereuses.

2. Placer la centrifugeuse mySPIN 6 sur une surface stable, nivelée et éloignée du bord du comptoir et de tout autre équipement mobile. S'assurer que le cordon d'alimentation électrique est éloigné des surfaces chaudes et de tout autre danger.



AVERTISSEMENT Veiller à ce que les charges soient équilibrées. Disposer les tubes de manière symétrique. Ne pas utiliser simultanément des tubes de volumes différents. Un placement incorrect des tubes pourrait conduire à une centrifugation insuffisante et provoquer une blessure ou un accident.

3. Avant chaque utilisation, inspecter l'appareil pour détecter les fissures, les pièces manquantes et/ou tout dommage qui pourrait entraîner une baisse de performance et en informer Thermo Fisher Scientific AVANT l'utilisation.
4. Vérifier que l'interrupteur d'alimentation électrique est en position ARRÊT / OFF. Brancher le cordon de l'adaptateur secteur à l'arrière de l'appareil et le cordon d'alimentation électrique dans une prise approuvée. S'assurer que le connecteur du cordon d'alimentation peut être facilement accédé à l'arrière de l'appareil et qu'il est possible de le retirer pour le déconnecter de la centrifugeuse.
5. Mettre l'interrupteur en position MARCHÉ / ON. Si l'appareil émet un léger bourdonnement et accélère avec peu ou pas de vibration, la centrifugeuse mySPIN 6 est prête à être utilisée. Si l'appareil émet des bruits forts ou inhabituels, ou a des vibrations excessives, NE PAS L'UTILISER. Contacter le service d'assistance technique de Thermo Fisher Scientific.
6. Sur le banc de travail, préparer les tubes à échantillon dans le support en les remplissant uniformément. Fermer les couvercles des tubes.
7. Pour ouvrir le couvercle, incliner énergiquement le couvercle vers l'arrière de l'appareil.

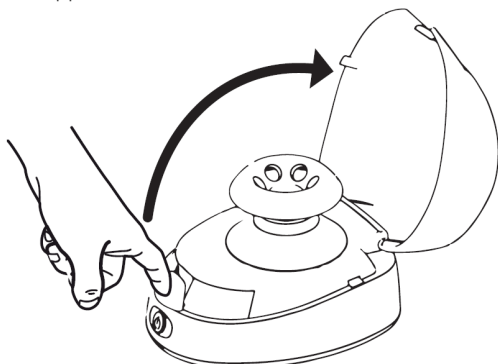


Figure 2. Ouverture du couvercle de la mini centrifugeuse



AVERTISSEMENT La procédure de laboratoire doit garantir qu'aucune personne ou substance dangereuse n'est présente dans une zone de 30 cm (12") autour de la centrifugeuse pendant son fonctionnement.

- Des tubes de même poids et de même taille sont placés de manière opposée. Utiliser un échantillon ou de l'eau dans le tube pour bien équilibrer la charge. L'équilibrage correct des échantillons est représenté ci-dessous.
- Ne pas forcer les tubes dans le rotor. Utiliser les adaptateurs de tubes et les rotors de taille appropriée à votre application.

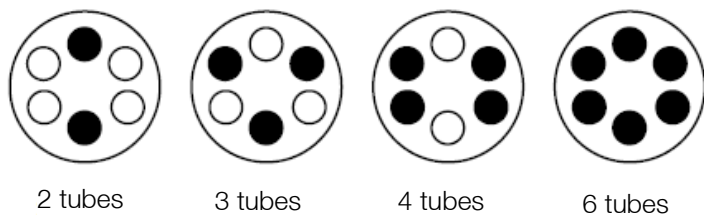


Figure 3. Rotor circulaire SnapSpin™

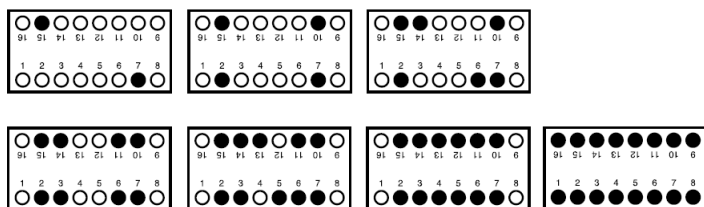



Figure 4. Bandes de support de tubes SnapSpin

- Solidement fermer le couvercle. Un couvercle correctement fermé bloquera la languette avant en silicone, maintenant le couvercle en position fermée. Si un cliquetis est entendu lorsque l'appareil fonctionne, le couvercle n'est pas complètement fermé. Ne pas essayer de faire fonctionner l'appareil lorsque le couvercle est retiré ou ouvert. Mettre l'interrupteur en position MARCHÉ / ON. L'unité ne fonctionnera pas avec le couvercle ouvert. Si l'appareil émet un léger bourdonnement et accélère avec peu ou pas de vibration, la centrifugeuse mySPIN 6 est prête à être utilisée. Si l'appareil émet des bruits forts ou inhabituels, ou a des vibrations excessives, NE PAS L'UTILISER. Contacter le service d'assistance technique de Thermo Fisher Scientific.
- Pour arrêter la centrifugation, appuyer sur interrupteur d'alimentation électrique et attendre que le rotor se soit complètement arrêté avant d'ouvrir le couvercle.



AVERTISSEMENT Ne pas ouvrir le couvercle jusqu'à ce que le rotor se soit complètement arrêté. Faire attention aux parties mobiles de l'appareil afin d'éviter tout risque de blessures graves ou de dommages matériels.

Utilisation de l'appareil mySPIN 6 dans un emplacement distant

1. Placer la mini centrifugeuse mySPIN 6 sur une surface stable, nivelée et éloignée du bord du comptoir et de tout autre équipement mobile.
2. Vérifier que l'interrupteur d'alimentation électrique est en position ARRÊT / OFF.
3. Brancher l'adaptateur de voiture 12 V dans la prise de l'allume-cigare de la voiture.
4. Appuyer sur le bouton d'alimentation  de la centrifugeuse.
5. Suivre les étapes 7 à 10 de la procédure décrite ci-dessus au chapitre **Utilisation de l'appareil mySPIN 6 dans un laboratoire.**
6. Retirer l'adaptateur de la voiture.



ATTENTION Afin de prévenir tout dommage, veiller à ce que le câble adaptateur ne soit étiré, tordu et ou courbé.

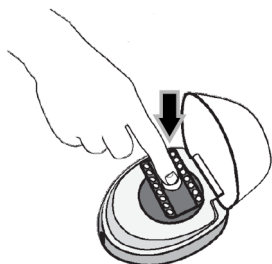
Avis : L'unité doit être solidement scellée et verrouillée lorsqu'elle est transportée avec les échantillons qu'elle contient.

Remplacement du rotor

Pour retirer le rotor SnapSpin, appuyer fermement sur le bouton central tout en soulevant le rotor vers le haut.



Pour installer le rotor SnapSpin, placer le rotor sur l'arbre hexagonal. Presser fermement le bouton central vers le bas. Le rotor doit s'emboîter avec un clic audible.



Entretien

La mini centrifugeuse mySPIN 6 ne nécessite normalement aucun entretien. Nettoyer l'appareil uniquement lorsqu'il n'est pas branché à une prise électrique. Si nécessaire, il est possible d'essuyer le boîtier et le rotor en utilisant un tissu humide et un détergent doux et non-corrosif.



AVERTISSEMENT Ne pas utiliser de solvant qui pourrait attaquer le plastique ou provoquer des fissures dans le rotor ou l'appareil. Éviter l'exposition aux rayons UV, qu'ils soient naturels ou artificiels. En plus des fissures, une décoloration, un ramollissement ou une fissuration des matières plastiques peuvent se produire. La corrosion peut également affecter les pièces métalliques qui font partie du rotor SnapSpin. Ces dommages peuvent les fragiliser. S'assurer que le rotor est protégé de la corrosion et des dommages mécaniques. Le rotor doit être nettoyé avec un liquide de nettoyage neutre.

Avis : S'assurer que toutes les pièces sont complètement sèches avant toute utilisation.

La boîte de transport peut être nettoyée avec du savon, de l'eau, un mélange d'eau de javel, de l'IPA et de l'éthanol. Elle est autoclavable à 121°C pendant 15 minutes.



AVERTISSEMENT Des températures plus élevées ou une durée d'autoclavage plus longue peuvent endommager la boîte de transport. La boîte doit être déverrouillée et ouverte pendant l'autoclavage avec le joint en silicone laissé en place.

Dépannage

Table 1. Dépannage

Problème	Cause possible	Solution
Ne fonctionne pas Pas de lumière	Mauvaise connexion du cordon d'alimentation / adaptateur	Vérifier le cordon d'alimentation/adaptateur
	Interrupteur MARCHÉ/ARRÊT sur le devant de l'appareil	Appuyer sur l'interrupteur MARCHÉ/ARRÊT sur le devant de l'appareil
	Le couvercle n'est pas fermé	Fermer le couvercle
Vibrations excessives	Le rotor n'est pas installé correctement	Réinstaller le rotor
	Le rotor n'est pas correctement équilibré	S'assurer que le poids des tubes est égal et qu'ils sont également répartis (voir la section Fonctionnement)
	Surface molle ou inégale	Placer l'appareil mySPIN 6 sur une surface solide et plane.
Bruit – cliquetis	Le couvercle n'est pas complètement fermé	Fermer le couvercle en bloquant la languette en silicone
Le rotor tombe	Le rotor n'est pas fixé	Fixer à nouveau le rotor (voir la section Remplacement du rotor)

Exigences d'élimination

L'appareil que vous avez acheté peut contenir des substances dangereuses qui pourraient affecter l'environnement. En vertu des réglementations de la Communauté européenne sur les appareils électroniques, vous devez utiliser les systèmes d'élimination appropriés pour éviter d'exposer l'environnement à ces substances. Les systèmes d'élimination réutiliseront ou recycleront les matériaux dangereux de votre appareil de manière à respecter l'environnement.

Le symbole de la poubelle barrée d'une croix vous encourage à utiliser ces systèmes.



Si vous avez besoin de plus d'informations sur les systèmes de collecte, de réutilisation et de recyclage, veuillez contacter votre administration locale ou régionale en charge des déchets. Vous pouvez également nous contacter pour plus d'informations sur les caractéristiques environnementales de nos produits.

Informations réglementaires



Cette marque est la confirmation que l'unité est conforme aux exigences de l'UE.



710213

Conforme aux normes :

ANSI/UL Std. 61010-1

CEI/EN 61010-1

CEI/EN 61010-2-020

CAN/CSA C22.2 No. 61010-1.

Garantie

EN AUCUN CAS, LA RESPONSABILITÉ DE THERMO FISHER SCIENTIFIC DANS LE CADRE DE CETTE GARANTIE N'EXCÈDERA LE PRIX DU PRODUIT.

Garantie limitée

Thermo Fisher Scientific garantit les pièces et la main d'œuvre de la mini centrifugeuse mySPIN 6 pendant 3 ans à partir de la date d'achat. Thermo Fisher Scientific offre une garantie d'un an pour la boîte de transport et l'adaptateur de voiture 12 V à partir de la date d'achat.

Si vous pensez que le produit comporte un défaut, vous devez, au cours de la période de garantie, informer Thermo Fisher Scientific, fournir une preuve d'achat et renvoyer le produit à Thermo Fisher Scientific, accompagné d'un formulaire d'autorisation de renvoi.

Si Thermo Fisher Scientific est correctement notifiée et, après inspection, confirme qu'il existe un défaut et que la période de garantie n'est pas expirée, Thermo Fisher Scientific réparera, modifiera ou remplacera le produit, à sa seule discrétion, sans frais.

EN DEHORS DE CETTE GARANTIE LIMITÉE, THERMO FISHER SCIENTIFIC N'OFFRE AUCUNE GARANTIE, EXPRESSE OU IMPLICITE, EN CE QUI CONCERNE LA QUALITÉ OU LE FONCTIONNEMENT DU PRODUIT, Y COMPRIS MAIS SANS S'Y LIMITER, LES GARANTIES IMPLICITES DE LA VALEUR MARCHANDE ET DE L'ADAPTABILITÉ POUR UN USAGE PARTICULIER QUI SONT DÉCLINÉES ET EXCLUES EN VERTU DES PRÉSENTES. THERMO FISHER SCIENTIFIC NE SERA EN AUCUN CAS TENUE RESPONSABLE D'UNE PERTE D'USAGE OU DE PROFITS, NI DE DOMMAGES CONSÉCUTIFS, SPÉCIAUX, EXEMPLAIRES OU PUNITIFS.

CETTE GARANTIE NE COUVRE PAS :

LES ACCESSOIRES, TELS QUE LES PIÈCES EN CAOUTCHOUC, QUI SONT ENDOMMAGÉES PAR DES LIQUIDES OU UNE MAUVAISE UTILISATION.

LES DÉFAUTS OU LES DOMMAGES PROVOQUÉS PAR UNE MAUVAISE UTILISATION OU UNE UTILISATION DÉRAISONNABLE DU PRODUIT. (LA CENTRIFUGEUSE mySPIN 6 EST CONÇUE POUR UN USAGE RÉSERVÉ À DES TECHNICIENS DE LABORATOIRE QUALIFIÉS UNIQUEMENT. L'UTILISATION PAR UNE PERSONNE NON AUTORISÉE ENTRAÎNERA L'ANNULATION DE CETTE GARANTIE.)

LES PRODUITS QUI ONT ÉTÉ, À LA SEULE DISCRÉTION DE THERMO FISHER SCIENTIFIC, ALTÉRÉS, MODIFIÉS OU RÉPARÉS PAR UNE PERSONNE AUTRE QUE THERMO FISHER SCIENTIFIC.

LES PRODUITS QUI NE FONCTIONNENT PAS EN RAISON : (a) D'USURE OCCASIONNÉE PAR L'UTILISATION, (b) DE NÉGLIGENCE, (c) D'ACCIDENT, (d) D'UN ENTRETIEN INAPPROPRIÉ, OU (e) D'UNE UTILISATION DANS DES CONDITIONS ANORMALES DE TEMPÉRATURE, DE SALETÉ OU DE CORROSION, OU EN PRÉSENCE DE PRODUITS ABRASIFS OU CORROSIFS.

Enregistrez votre garantie en ligne à

www.thermofisher.com/warranty.

thermo scientific

Coordonnées

Les produits Thermo Fisher Scientific sont pris en charge par une équipe d'assistance technique mondiale prête à soutenir vos applications. Visitez www.thermofisher.com ou appelez :

Pays	Ventes	Services
Amérique du Nord	+1 866 984 3766	(800) 438-4851
Inde	1800 22 8374, +91 22 6716 2200	+91 22 6716 2200
Chine	+800 810 5118, +400 650 5118	+8621 68654588
Japon	+81 3 5826 1616	+81 3 3816 3355
Australie	+61 39757 4300	1 300 735 292
Autriche	+43 1 801 40 0	+43 1 801 40 0
Belgique	+32 53 73 42 41	+32 2 482 30 30
France	+33 2 2803 2180	+33 2 2803 2180
Allemagne	0800 1 536 376, +49 6184 90 6000	0800 1 536 376
Italie	+32 02 95059 552	+39 02 95059 552, 432 254 375
Pays-Bas	+31 76 579 55 55	+31 76 571 4440
Europe du Nord, Baltique / CEI	+358 9 329 10200	+358 9 329 100
Russie	+7 812 703 4215	+7 812 703 4215
Espagne et Portugal	+34 93 223 09 18	+34 93 223 09 18
Suisse	+41 44 454 12 22	+41 44 454 12 12
Grande-Bretagne et Irlande	+44 870 609 9203	+44 870 609 9203
Nouvelle-Zélande	+64 9 980 6700	+64 9 980 6700
Autres pays en Asie	+852 2885 4613	+852 2885 4613
Autres pays	+49 6184 90 6000	+49 6184 90 6000

Distributeur : Thermo Electron LED GmbH
Zweigniederlassung Osterode
Am Kalkberg, 37520 Osterode am Harz
Allemagne

Fabricant : Heathrow Scientific
620 Lakeview Parkway, Vernon Hills
IL, 60061
États-Unis

Pour plus de renseignements, consultez le site thermofisher.com/Centrifuge

© 2016–2020 Thermo Fisher Scientific Inc. Tous droits réservés. Toutes les marques déposées appartiennent à Thermo Fisher Scientific et à ses filiales, sauf autrement spécifié. Heathrow Scientific est une marque déposée de Heathrow Scientific. Toutes les autres marques sont la propriété de Thermo Fisher Scientific Inc. et de ses sociétés affiliées. Les spécifications, conditions et prix sont sans engagement. Tous les produits ne sont pas disponibles dans tous les pays. Pour tout complément d'information, contactez votre revendeur local. Les images figurant dans ce manuel sont fournies à titre d'exemple et peuvent varier en fonction des réglages et de la langue.
50145670 (Anglais) contient les instructions d'utilisation d'origine.

ThermoFisher
S C I E N T I F I C

thermo scientific



Thermo Scientific Mini Centrifuge mySPIN 6

Manuale d'uso

50145670-f • 12 / 2020

ThermoFisher
SCIENTIFIC

Contenuto

Avvertenze di sicurezza.....	1
Dati tecnici.....	5
Condizioni ambientali	5
Caratteristiche tecniche.....	5
Parte elettrica	5
Accessori.....	6
Uso.....	8
Uso della mySPIN 6 in laboratorio	8
Uso della mySPIN 6 in un ambiente remoto	10
Sostituzione del rotore	10
Manutenzione	11
Eliminazione guasti.....	12
Smaltimento.....	12
Informazioni legali.....	13
Garanzia	14
Dati di contatto	15

Avvertenze di sicurezza

La Thermo Scientific™ mySPIN 6 è una mini centrifuga ad uso personale destinata ai laboratori di bioscienze, medicina e chimica. Può entrare a contatto con materiale a rischio biologico e/o pericoloso. L'operatore è responsabile di rispettare tutte le precauzioni di sicurezza e di tutela della salute e di valutare se lo strumento è conforme ai requisiti necessari per svolgere i compiti previsti.

Prima di iniziare ad usare la centrifuga, leggere attentamente queste istruzioni per l'uso. Il presente manuale contiene informazioni importanti, garanzie legali e le istruzioni per l'uso.



ATTENZIONE Utilizzare questo prodotto sempre in conformità alle presenti istruzioni.



ATTENZIONE Questo prodotto è studiato per la separazione di soluzioni acquose in provette omologate, compatibili con il fattore g (RCF) del presente dispositivo.



ATTENZIONE Questo prodotto non è destinato alla centrifugazione di materiali a densità molto alta. Non è permesso l'utilizzo di materiali con una densità superiore a 1,2 g/cm³ (1,2 g/ml).



ATTENZIONE Utilizzare solo l'alimentatore fornito insieme al prodotto. Con l'utilizzo di alimentatori di soggetti terzi decade la garanzia.



ATTENZIONE Non mettere le mani all'interno dell'area rotore prima che il rotore non si sia completamente fermato.



ATTENZIONE Utilizzare esclusivamente i rotori, adattatori AC, adattatori di provette e tutti i ricambi forniti originariamente insieme al dispositivo. Questi componenti sono stati sviluppati per raggiungere in sicurezza il massimo fattore g (RCF) della centrifuga. **NON È PERMESSO UTILIZZARE ROTORI O QUALSIASI COMPONENTE DI ALTRI PRODUTTORI.**



ATTENZIONE Badare sempre a un posizionamento saldo dei rotori.



ATTENZIONE Rispettare le norme e misure di sicurezza del laboratorio.



ATTENZIONE Non provare a utilizzare il dispositivo con il coperchio aperto o rimosso.



ATTENZIONE Durante il funzionamento, il rotore e il coperchio devono essere chiusi saldamente.



ATTENZIONE Non utilizzare rotori difettosi.



ATTENZIONE Non spostare il dispositivo mentre il rotore sta ancora girando.



ATTENZIONE Non tentare di arrestare il rotore mentre il dispositivo è in funzione. Questo può provocare lesioni e il danneggiamento del dispositivo, nonché comportare il decadimento della garanzia.



ATTENZIONE Non utilizzare la mini centrifuga mySPIN 6 in condizioni di bagnato, incluse ma non limitate a pioggia, neve, immersione in acqua. Ne potrebbero risultare lesioni da scosse elettriche o incendi.



ATTENZIONE Il rotore deve essere caricato in modo simmetrico. L'uso del dispositivo con un rotore non equilibrato causa forti vibrazioni e danni non coperti dalla garanzia.



ATTENZIONE Non versare il materiale nelle provette mentre queste sono già inserite nel rotore. Liquidi traboccati possono danneggiare il dispositivo.



ATTENZIONE Prima di avviare la centrifuga chiudere i tappi delle provette. Tappi aperti possono essere strappati durante la centrifugazione e danneggiare il dispositivo. Tappi aperti possono causare un traboccamento di liquidi nella centrifuga.



ATTENZIONE Non è permesso utilizzare provette non standardizzate o accessori di terzi con il rotore.



ATTENZIONE Attenersi a tutte le precauzioni riportate sulla scheda di sicurezza di ogni singolo reagente utilizzato con questo dispositivo.



ATTENZIONE Non utilizzare solventi o liquidi infiammabili in vicinanza della centrifuga o di altri dispositivi elettrici.



ATTENZIONE Non utilizzare materiali che sono infiammabili, esplosivi o corrosivi di per sé oppure in combinazione con altri materiali oppure che rappresentano un altro rischio.



ATTENZIONE Non è permesso l'utilizzo in ambienti pericolosi o a rischio di esplosione.



ATTENZIONE Non è permesso utilizzare sul dispositivo solventi in grado di corrodere il materiale plastico o le guarnizioni oppure causare incrinature sul rotore.



ATTENZIONE Garantire una protezione del rotore contro corrosione e danneggiamenti meccanici. Il rotore deve essere pulito con un detergente a ph neutro.



ATTENZIONE Qualora si volessero adottare metodi di pulizia e decontaminazione diversi da quelli descritti nel presente manuale d'uso, contattare Thermo Fisher Scientific per accertarsi che la procedura prevista non danneggi il dispositivo.



ATTENZIONE Se è richiesto un solo livello di protezione, utilizzare contenitori collaudati per il gruppo di rischio II o superiore. Se vengono utilizzati materiali di un gruppo di rischio superiore provvedere a un livello di protezione dalle sostanze pericolose più alto di uno.



ATTENZIONE Se il dispositivo non funziona in conformità con le specifiche, interrompere subito la centrifugazione e lasciare fermare completamente il rotore. Prima di continuare a utilizzare il prodotto, pulire la centrifuga ed eliminare il guasto seguendo le istruzioni del capitolo «**Eliminazione guasti**». Se il problema si ripete contattare un rivenditore autorizzato oppure il produttore.



ATTENZIONE Il lavoro deve essere eseguito in modo da non mettere in pericolo né l'operatore né altre persone.



ATTENZIONE I lavori di riparazione devono essere eseguiti solo dal personale di servizio autorizzato e adeguatamente istruito. Contattare Thermo Fisher Scientific.



ATTENZIONE In caso dell'apertura dei pannelli di copertura o della manipolazione inadeguata del dispositivo si estingue la garanzia. Al verificarsi di un guasto entro il periodo di garanzia, contattare Thermo Fisher Scientific per usufruire del servizio di garanzia.



ATTENZIONE Non utilizzare dispositivi che non sono stati installati o riparati a regola d'arte.



ATTENZIONE Non tentare di scomporre o modificare il dispositivo.



ATTENZIONE Conservare il dispositivo a temperatura ambiente in un ambiente asciutto. Non esporre il dispositivo per periodi prolungati ai raggi del sole, ad umidità o a temperature estreme.



AVVERTIMENTO La procedura di laboratorio deve garantire che non siano presenti persone o sostanze pericolose all'interno di una zona di 12" (30 cm) intorno alla centrifuga durante il funzionamento.



AVVERTIMENTO Un utilizzo del dispositivo non conforme alle raccomandazioni del produttore pregiudica la sicurezza generale.



AVVERTIMENTO Controllare le schede di sicurezza, indossare i dispositivi di protezione personale richiesti e attenersi a tutte le norme nazionali e locali vigenti in materia di consegna e smaltimento di materiali pericolosi.



AVVERTIMENTO Questo prodotto non è un dispositivo a biocontenimento secondo la norma IEC/EN/CSA 61010-2-020 e non offre un livello di sicurezza ermetica per il caso della fuoriuscita o dello sprigionamento di microorganismi tossici, patogeni o radioattivi. Pertanto, non è consigliato l'utilizzo di questi materiali con il presente dispositivo.

Dati tecnici

Condizioni ambientali

Altitudine:	fino a 2000 m
Temperatura d'esercizio:	da 0 °C a 40 °C
Temperatura di stoccaggio:	da -20 °C a 40 °C
Massima umidità relativa dell'aria:	80% per temperature fino a 31 °C, decrescente linearmente sino ad umidità relativa 50% a 40 °C
Umidità relativa durante il funzionamento:	dal 10% al 90% (senza condensa)
Umidità relativa durante lo stoccaggio:	dal 10% al 90%

Caratteristiche tecniche

Capacità:	Rotore standard 6 x 2,0 mL Rotore per strisce PCR 2 x 8 x 0,2 mL
Velocità massima:	6000 giri/min
Massimo fattore g (RCF):	2000 x g
Dimensioni:	153 mm x 128 mm x 104 mm (L x P x A)
Peso:	0,73 kg (con rotore) 0,86 kg (con alimentatore)

Parte elettrica

mySPIN 6

Ingresso: 12 V DC
Corrente (sotto carico): ca. 0,6 A
Potenza: ca. 7,3 W

Potenza nominale dell'adattatore

Ingresso: 100–240 V AC, 50/60 Hz, 1,0 A
Uscita: 12 V DC, 2,2 A

Adattatore per auto da 12 V

Ingresso / Uscita: 12–13,8 V
Dati nominali: 12 V DC

Accessori

N. di catalogo	Descrizione
75004061	La mini centrifuga mySPIN 6 include: <ul style="list-style-type: none">• Rotore per provette 6 x 1,5/2,0 ml• Rotore per provette 16 x 0,2 ml (singoli o 2 x 8 strisce)• Adattatori per provette da 0,2 ml (set da 6)• Adattatori per provette da 0,5 ml (set da 6)• Scatola di stoccaggio per rotori e adattatori• Portaprovette• Alimentatore universale 100–240 V 50 / 60 Hz, con 4 tipi di spina intercambiabili
75004085	Kit portatile completo per mySPIN 6
Parti di ricambio	
75004062	Rotore rotondo 6 x 1,5 / 2 ml
75004063	Rotore per provette 16 x 0,2 ml (singoli o 2 x 8 strisce)
20290729	O-ring di ricambio
50146145	Inserti adattatori per provette 0,2 / 0,5 ml (12 per pacchetto; 6 di ogni dimensione)
75004064	Adattatore di alimentazione e cavo di alimentazione universale
75004086	Scatola di trasporto con inserti per mySPIN 6
75004087	Adattatore per auto a 12 V per mySPIN 6

Kit portatile per mySPIN 6 (75004085):

Il kit portatile mySPIN 6 è destinato alla separazione dei campioni al di fuori dei laboratori o in un luogo remoto. Il kit comprende:

- Mini centrifuga mySPIN 6 completa di manuale di istruzioni
- Scatola di trasporto trasparente con serratura
- Set di divisori con portaprovette integrato, divisori progettati per mySPIN 6
- Adattatore di alimentazione per auto a 12 V, per il collegamento dalla presa accendisigari alla mini centrifuga mySPIN 6.

Scatola di trasporto con inserti per mySPIN 6 (75004086):

La scatola di trasporto è destinata ad accogliere la mini centrifuga mySPIN 6 con altri accessori necessari, come il rotore e il portaprovette, in modo da portarli fuori dal laboratorio e usarli per il lavoro sul campo.

- Dimensioni: 380 mm x 196 mm x 160 mm (L x P x A)
- Peso: 1,2 kg
- Autoclavabile
- Guarnizione in silicone a tenuta stagna
- A tenuta stagna se immerso in 1 metro d'acqua
- Regge fino a 4 kg di peso

La figura riportata di seguito mostra i 6 inserti contenuti nella scatola di trasporto.

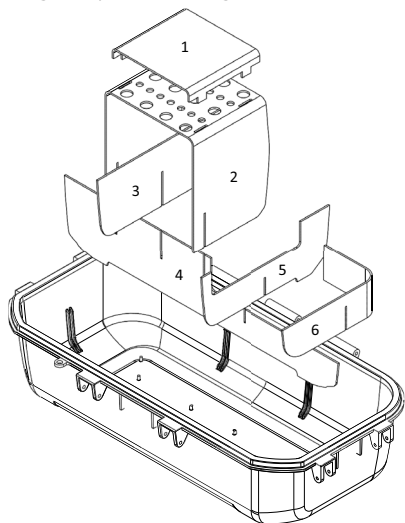


Figura 1. Inserti nella scatola di trasporto

Gli inserti possono essere aggiunti o rimossi in base alle specifiche esigenze.

Adattatore per auto a 12 V (75004087):

L'adattatore per auto a 12 V viene utilizzato per alimentare la mini centrifuga mySPIN 6 ed eseguire la separazione del campione sul campo.

- Lunghezza del cavo: 1500 mm
- Cavo 24 awg / 2 C
- La spina è adatta a diverse auto con una presa accendisigari

Uso

Uso della mySPIN 6 in laboratorio

1. Prelevare il contenuto dalla confezione e verificare che i componenti non presentino rotture o difetti e che siano completi. Conservare l'imballaggio.
Nota: L'unità deve essere scartata se le serrature o il corpo è rotto o incrinato. Attenersi alle norme regionali o dello stabilimento di appartenenza per lo smaltimento di materiali biologici pericolosi.
2. Posizionare la mini centrifuga mySPIN 6 su una superficie piana e stabile, distante dal bordo del piano di lavoro e da altre attrezzature mobili. Assicurarsi che il cavo di alimentazione non possa entrare in contatto con superfici calde o con altre fonti di pericolo.



AVVERTIMENTO Utilizzare il rotore solo con un carico equilibrato! Non caricare le provette in maniera asimmetrica o con volumi differenti nelle provette. Un inserimento inadeguato delle provette comporta una centrifugazione insufficiente e può provocare lesioni o infortuni.

3. Prima di ogni utilizzo, ispezionare l'unità per verificare che non vi siano crepe, pezzi mancanti e/o danni che potrebbero pregiudicare le prestazioni e informare Thermo Fisher Scientific PRIMA dell'utilizzo.
4. Assicurarsi che l'interruttore generale si trovi sulla posizione OFF. Inserire l'adattatore del cavo di alimentazione sul retro del dispositivo e la spina in una presa idonea.
5. Portare l'interruttore generale sulla posizione ON. Se si sente un ronzio uniforme e il dispositivo accelera senza o con minime vibrazioni, la mini centrifuga mySPIN 6 è pronta all'esercizio. Se si avvertono rumori forti e inconsueti oppure forti vibrazioni, IL DISPOSITIVO NON DOVRÀ ESSERE MESSO IN SERVIZIO. Contattare il servizio di assistenza tecnica di Thermo Fisher Scientific.
6. Preparare le provette sul piano di lavoro in un apposito supporto portaprovette per garantire che vengano riempite fino allo stesso livello. Chiudere i tappi delle provette.
7. Per aprire il coperchio, spingerlo fermamente verso il retro del dispositivo.

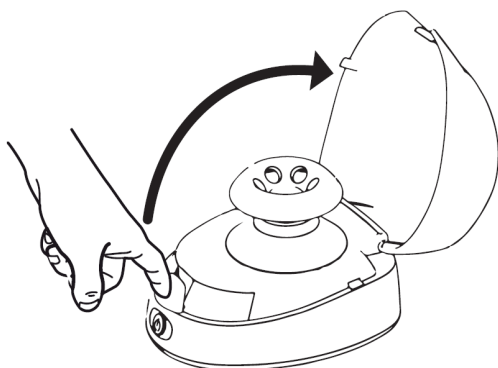


Figura 2. Apertura del coperchio della mini centrifuga



AVVERTIMENTO La procedura di laboratorio deve garantire che non siano presenti persone o sostanze pericolose all'interno di una zona di 12" (30 cm) intorno alla centrifuga durante il funzionamento.

- Collocare le provette di dimensione e peso identico nelle posizioni rispettivamente opposte. Utilizzare altri campioni o acqua nelle provette per assicurare un caricamento uniforme ed equilibrato. La figura in basso illustra un collocamento corretto e equilibrato delle provette.
- Non procedere con la forza per inserire le provette nel rotore. Utilizzare adattatori e rotori della dimensione giusta idonei per l'applicazione prevista.

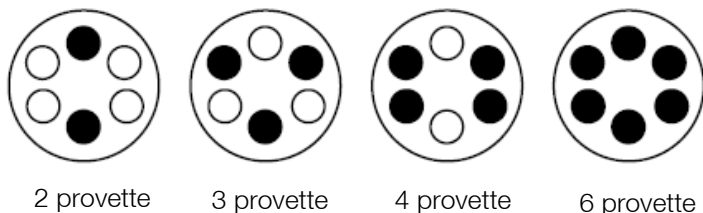


Figura 3. Rotore rotondo SnapSpin™

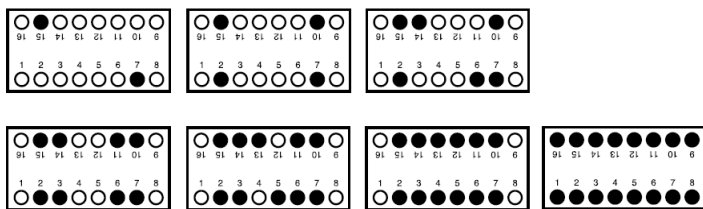



Figura 4. Strisce SnapSpin

- Chiudere accuratamente il coperchio. Il coperchio è chiuso correttamente se la linguetta di silicone si blocca e tiene chiuso il coperchio. Se si sentono dei clic clac durante l'esercizio del dispositivo, vuol dire che il coperchio non è chiuso correttamente. Non provare a utilizzare il dispositivo con il coperchio aperto o rimosso. Portare l'interruttore generale sulla posizione ON per accendere il dispositivo. Il dispositivo non funziona se il coperchio è aperto. Se si sente un ronzio uniforme e il dispositivo accelera senza o con minime vibrazioni, la mini centrifuga mySPIN 6 è pronta all'esercizio. Se si avvertono rumori forti e inconsueti oppure forti vibrazioni, **IL DISPOSITIVO NON DOVRÀ ESSERE MESSO IN SERVIZIO**. Contattare il servizio di assistenza tecnica di Thermo Fisher Scientific.
- Per arrestare la centrifugazione, premere l'interruttore generale, attendere finché il rotore si è fermato completamente ed aprire poi il coperchio.



AVVERTIMENTO Non aprire il coperchio se il rotore non si è ancora fermato completamente! Evitare lesioni gravi e danni materiali causati dalle parti mobili.

Uso della mySPIN 6 in un ambiente remoto

1. Posizionare la mini centrifuga mySPIN 6 su una superficie piana e stabile, distante dal bordo del piano di lavoro e da altre attrezzature mobili.
2. Assicurarsi che l'interruttore generale si trovi sulla posizione OFF.
3. Inserire l'adattatore per auto da 12 V nella presa accendisigari dell'auto.
4. Premere il pulsante di accensione  sulla centrifuga.
5. Eseguire i passi da 7 a 10 della procedura sopra descritta in **Uso della mySPIN 6 in laboratorio**.
6. Rimuovere l'adattatore dall'auto.

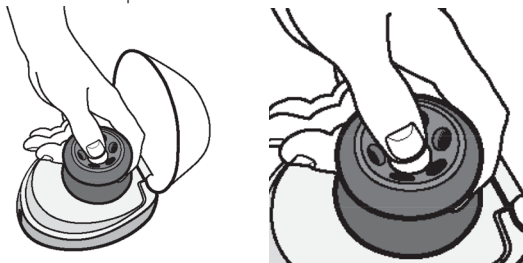


ATTENZIONE Non tirare, torcere o piegare il cavo adattatore per evitare danni.

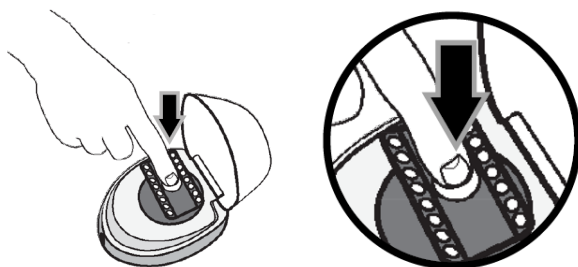
Nota: L'unità deve essere chiusa ermeticamente e serrata quando viene trasportata con campioni racchiusi.

Sostituzione del rotore

Per rimuovere il rotore SnapSpin: premere energicamente sul pulsante centrale, estraendo contemporaneamente il rotore verso l'alto.



Per installare il rotore SnapSpin: posizionare il rotore sull'albero esagonale. Premere energicamente il pulsante centrale e spingere il rotore verso il basso. Il rotore si aggancia con un clic.



Manutenzione

Normalmente la mini centrifuga mySPIN 6 non richiede manutenzione. Per pulire il dispositivo, la spina elettrica deve essere staccata dalla presa elettrica. Se necessario, il dispositivo e il rotore possono essere puliti passandovi un panno umido e un detergente delicato, non corrosivo.



AVVERTIMENTO Non utilizzare alcun solvente sull'unità che possa attaccare la plastica o causare crepe nel rotore o nell'unità. Evitare l'esposizione ai raggi UV, sia naturali che artificiali. Oltre alle crepe, possono verificarsi scolorimenti, ammorbidimenti o screpolature dei materiali plastici. Può verificarsi anche la corrosione delle parti metalliche che fanno parte del rotore SnapSpin. Questo danno può indebolirle. Deve essere garantita una protezione del rotore contro corrosione e danneggiamenti meccanici. Il rotore deve essere pulito con un detergente neutro.

Nota: Tutti i componenti devono essere asciutti prima di iniziare l'esercizio.

La scatola di trasporto può essere pulita con sapone, acqua, miscela di candeggina, IPA ed etanolo. È autoclavabile a 121°C per 15 minuti.



AVVERTIMENTO Temperature più alte o una durata più lunga in autoclave possono danneggiare la scatola di trasporto. La scatola deve essere sbloccata e aperta durante l'autoclavaggio con la guarnizione in silicone lasciata in posizione.

Eliminazione guasti

Tabella 1. Eliminazione guasti

Problema	Possibile causa	Rimedio
Non funziona	Collegamento allentato del cavo di alimentazione / adattatore	Controllare il cavo di alimentazione / adattatore
Assenza di luce	Interruttore generale ON/OFF	Premere l'interruttore generale ON/OFF
	Coperchio non chiuso	Chiudere il coperchio
Forte vibrazione	Rotore non installato correttamente	Riposizionare il rotore
	Rotore non equilibrato correttamente	Controllare che le provette presentino lo stesso peso nelle posizioni opposte (vedi Uso)
	Superficie morbida o irregolare	Posizionare la mySPIN 6 su una superficie robusta e piana.
Rumori – clic clac	Coperchio non chiuso bene	Chiudere il coperchio facendo innestare la linguetta di silicone
Rotore si stacca	Rotore non bloccato correttamente	Reinserire il rotore (vedi Sostituzione del rotore)

Smaltimento

Il dispositivo acquistato può contenere sostanze pericolose che possono avere un impatto sull'ambiente. Le norme vigenti nella Comunità Europea in materia di smaltimento di apparecchiature elettriche ed elettroniche prevedono che le apparecchiature devono essere avviate ai corrispondenti sistemi di smaltimento per evitare una dispersione di queste sostanze nell'ambiente. Questi sistemi di smaltimento garantiscono un riciclaggio o un riutilizzo responsabile dei materiali pericolosi contenuti nel dispositivo.

Il simbolo del bidone sbarrato invita a fare uso di questi sistemi di smaltimento.



Per maggiori informazioni in merito al ritiro, al riutilizzo e ai sistemi di riciclaggio, contattare l'ente locale o regionale responsabile della gestione dei rifiuti. Può essere contattata anche Thermo Fisher Scientific per avere ulteriori informazioni sull'ecocompatibilità dei prodotti.

Informazioni legali



Questa marcatura conferma che l'unità è conforme ai requisiti UE.



Corrisponde a:

ANSI/UL Std. 61010-1

IEC/EN 61010-1

IEC/EN 61010-2-020

CAN/CSA C22.2 No. 61010-1.

Garanzia

IN NESSUN CASO LA GARANZIA DI THERMO FISHER SCIENTIFIC POTRÀ SUPERARE IL PREZZO DEL PRODOTTO.

Garanzia limitata

Thermo Fisher Scientific concede una garanzia di 3 anni dalla data di acquisto sulla perfetta qualità del materiale e sull'esecuzione a regola d'arte della mini centrifuga mySPIN 6. Thermo Scientific fornisce una garanzia di un anno per la scatola di trasporto e l'adattatore per auto da 12 V a partire dalla data di acquisto.

Se durante il periodo di garanzia il prodotto presenta un difetto, informare Thermo Fisher Scientific, fornire la prova d'acquisto e rispedire il prodotto insieme al modulo di autorizzazione alla restituzione.

Se Thermo Fisher Scientific è stata informata debitamente e, dopo una verifica, conferma la presenza di un difetto coperto dalla garanzia, Thermo Fisher Scientific provvede, a propria discrezione, a riparare, modificare o sostituire il prodotto gratuitamente.

OLTRE ALLA GARANZIA LIMITATA RIPORTATA IN QUESTA SEDE, THERMO FISHER SCIENTIFIC ESCLUDE OGNI ALTRO DIRITTO A GARANZIA ESPlicitO O IMPLICITO IN MERITO ALLA QUALITÀ O ALLE PRESTAZIONI DEL PRODOTTO, COMPRESO, MA NON LIMITATO ALLA GARANZIA DI IDONEITÀ E COMMERCIALIZZABILITÀ. IN NESSUN CASO THERMO FISHER SCIENTIFIC RISponderà PER IL MANCATO UTILIZZO DEL PRODOTTO, PER PERDITA DI PROFITTO, DANNI CONSEGUENZIALI, SPECIALI, ESEMPLARI O PUNITIVI.

QUESTA GARANZIA NON COPRE:

ACCESSORI, AD ES. COMPONENTI IN GOMMA DANNEGGIATI DA LIQUIDI O DA UN UTILIZZO IMPROPRIO.

DIFETTI O DANNI CAUSATI DA UN UTILIZZO IMPROPRIO O IRRAGIONEVOLE DEL PRODOTTO. (mySPIN 6 DEVE ESSERE UTILIZZATA SOLO DA TECNICI DI LABORATORIO QUALIFICATI. UN USO DA PARTE DI ALTRE PERSONE FA CESSARE LA GARANZIA.)

UN PRODOTTO CHE SECONDO THERMO FISHER SCIENTIFIC È STATO MANOMESSO, MODIFICATO O RIPARATO DA SOGGETTI DIVERSI DAL SERVIZIO DI ASSISTENZA DI THERMO FISHER SCIENTIFIC.

UN PRODOTTO CHE NON FUNZIONA PER I MOTIVI RIPORTATI DI SEGUITO: (a) USURA CAUSATA DALL'USO, (b) NEGLIGENZA, (c) INCIDENTE, (d) MANUTENZIONE NON ADEGUATA OPPURE (e) UTILIZZO IN CONDIZIONI NON ADEGUATE DI TEMPERATURA, GRADO DI SPORCO O CORROSIONE OPPURE L'UTILIZZO DI DETERGENTI CORROSIVI O ABRASIVI.

Registrare la garanzia online all'indirizzo

www.thermofisher.com/warranty.

Dati di contatto

I prodotti Thermo Fisher Scientific sono sostenuti da un team di assistenza tecnica globale pronto a supportare le vostre applicazioni. Visita www.thermofisher.com o chiama:

Paesi	Commerciale	Assistenza
Nord America	+1 866 984 3766	(800) 438-4851
India	1800 22 8374, +91 22 6716 2200	+91 22 6716 2200
Cina	+800 810 5118, +400 650 5118	+8621 68654588
Giappone	+81 3 5826 1616	+81 3 3816 3355
Australia	+61 39757 4300	1 300 735 292
Austria	+43 1 801 40 0	+43 1 801 40 0
Belgio	+32 53 73 42 41	+32 2 482 30 30
Francia	+33 2 2803 2180	+33 2 2803 2180
Germania	0800 1 536 376, +49 6184 90 6000	0800 1 536 376
Italia	+32 02 95059 552	+39 02 95059 552, 432 254 375
Paesi Bassi	+31 76 579 55 55	+31 76 571 4440
Paesi nordici/Paesi Baltici/CIS	+358 9 329 10200	+358 9 329 100
Russia	+7 812 703 4215	+7 812 703 4215
Spagna/Portogallo	+34 93 223 09 18	+34 93 223 09 18
Svizzera	+41 44 454 12 22	+41 44 454 12 12
UK/Irlanda	+44 870 609 9203	+44 870 609 9203
Nuova Zelanda	+64 9 980 6700	+64 9 980 6700
Altri paesi asiatici	+852 2885 4613	+852 2885 4613
Paesi non elencati	+49 6184 90 6000	+49 6184 90 6000

Partner commerc.: Thermo Electron LED GmbH
Succursale di Osterode
Am Kalkberg, 37520 Osterode am Harz
Germania

Fabbricante: Heathrow Scientific
620 Lakeview Parkway, Vernon Hills
IL, 60061
USA

Per maggiori informazioni visitare thermofisher.com/Centrifuge

© 2016–2020 Thermo Fisher Scientific Inc. Tutti i diritti riservati. Se non specificato diversamente, tutti i marchi di fabbrica sono proprietà della Thermo Fisher Scientific e delle sue controllate. Heathrow Scientific è un marchio registrato di Heathrow Scientific. Tutti gli altri marchi di fabbrica sono di proprietà della Thermo Fisher Scientific Inc. e delle sue società associate. Specifiche, condizioni e prezzi sono soggetti a modifiche. Non tutti i prodotti sono disponibili in tutti i paesi. Per maggiori dettagli consultare il rappresentante commerciale locale. Le immagini pubblicate all'interno delle presenti istruzioni per l'uso servono unicamente come riferimento. Le impostazioni e le lingue illustrate possono differire.

50145670 (Inglese) è la lingua del manuale di istruzioni originale.

ThermoFisher
S C I E N T I F I C

thermo scientific



Thermo Scientific mySPIN 6 Mini-Zentrifuge

Bedienungsanleitung

50145670-f • 12 / 2020

ThermoFisher
SCIENTIFIC

Inhalt

Sicherheitsvorkehrungen.....	1
Technische Daten	5
Umgebungsbedingungen	5
Technische Eigenschaften.....	5
Elektrische Daten	5
Zubehör.....	6
Bedienung	8
Betrieb der mySPIN 6 in einem Labor.....	8
Betrieb der mySPIN 6 außerhalb des Labors.....	10
Rotor wechseln	10
Wartung.....	11
Störungsbeseitigung	12
Entsorgung	12
Rechtliche Informationen.....	13
Garantie.....	14
Kontaktdaten	15

Sicherheitsvorkehrungen

Die Thermo Scientific™ mySPIN 6 ist eine für biowissenschaftliche, medizinische und chemische Laboratorien entworfene Mini-Zentrifuge. Sie kann mit biogefährlichen und/oder gefährlichen Materialien verwendet werden. Es liegt in der Verantwortung des Benutzers, alle Gesundheits- und Sicherheitsvorkehrungen zu beachten und einzuhalten und die Eignung des Gerätes für die jeweilige Aufgabe zu beurteilen.

Bevor die Zentrifuge zum ersten Mal in Betrieb genommen wird, ist diese Bedienungsanleitung sorgfältig durchzulesen. Dieses Handbuch enthält wichtige Informationen, Sicherheitsvorkehrungen und Bedienungsanweisungen.



VORSICHT Dieses Produkt ist in keiner Weise abweichend von diesen Anweisungen zu verwenden.



VORSICHT Dieses Produkt ist für die Trennung von wässrigen Lösungen in zugelassenen Probenröhrchen bestimmt, die mit der RZB dieses Geräts kompatibel sind.



VORSICHT Dieses Produkt ist nicht zum Zentrifugieren sehr dichter Materialien bestimmt. Verwenden Sie keine Materialien mit einer Dichte von mehr als 1,2 g/cm³ (1,2 g/ml).



VORSICHT Verwenden Sie nur das mit dem Produkt gelieferte Netzteil. Bei Verwendung anderer Netzteile erlischt die Garantie.



VORSICHT Nicht mit den Händen in den Rotorbereich greifen, bis der Rotor vollständig zum Stillstand gekommen ist.



VORSICHT Nur die ursprünglich gelieferten Rotoren, AC-Adapter, Röhrchen-Adapter und alle anderen mit dem Gerät gelieferten Ersatzteile sind zu verwenden. Diese Teile wurden so konstruiert, dass sie die maximale RZB, die die Zentrifuge liefern kann, sicher erfüllen. VERWENDEN SIE KEINE ROTOREN ODER KOMPONENTEN ANDERER HERSTELLER.



VORSICHT Achten Sie immer auf den festen Sitz der Rotoren.



VORSICHT Die allgemeinen Laborsicherheitsvorkehrungen und Vorschriften sind zu beachten.



VORSICHT Versuchen Sie nicht, das Gerät mit abgenommener oder geöffneter Abdeckung zu betreiben.



VORSICHT Während des Betriebs müssen der Rotor und der Deckel immer fest geschlossen sein.



VORSICHT Keine beschädigten Rotoren verwenden.



VORSICHT Das Gerät darf nicht bewegt werden, bis der Rotor vollständig zum Stillstand gekommen ist.



VORSICHT Versuchen Sie nicht, den Rotor zu stoppen, während das Gerät im Betrieb ist. Dies kann zu Verletzungen oder zur Beschädigung des Gerätes und zum Erlöschen der Garantie führen.



VORSICHT Die mySPIN 6 Mini-Zentrifuge darf nicht unter feuchten Umgebungsbedingungen betrieben werden (z.B. Regen, Schnee, Eintauchen in Wasser usw.). Dies kann zu Stromschlag- und Brandverletzungen führen.



VORSICHT Der Rotor muss symmetrisch beladen werden. Der Betrieb des Gerätes mit einem nicht ausgewogen beladenen Rotor verursacht starke Vibrationen und Schäden, die von der Garantie nicht abgedeckt werden.



VORSICHT Röhrcen nicht befüllen, während sie im Rotor eingesetzt sind. Verschüttete Flüssigkeiten können das Gerät beschädigen.



VORSICHT Vor dem Start der Zentrifuge sicherstellen, dass die Röhrcen geschlossen sind. Offene Deckel können bei der Zentrifugation abgerissen werden und das Gerät beschädigen. Offene Deckel können zu Verschüttung von Flüssigkeit in der Zentrifuge führen.



VORSICHT Nicht standardmäßige Röhrcen oder fremde Zubehörteile dürfen nicht in den Rotor eingesetzt werden.



VORSICHT Sämtliche auf dem jeweiligen Sicherheitsdatenblatt angegebenen Sicherheitsvorkehrungen für alle mit diesem Gerät benutzten Reagenzien sind zu beachten.



VORSICHT Verwenden Sie keine Lösungsmittel oder entflammaren Flüssigkeiten in der Nähe dieses oder anderer elektrischer Geräte.



VORSICHT Keine Materialien zentrifugieren, die in Kombination oder allein brennbar, explosiv oder ätzend sind, oder eine sonstige Gefährdung verursachen können.



VORSICHT Betreiben Sie das Gerät nicht in einer gefährlichen oder entflammaren Umgebung.



VORSICHT Verwenden Sie keine Lösungsmittel am Gerät, die Kunststoff oder Gummi angreifen oder Risse im Rotor verursachen können.



VORSICHT Es ist sicherzustellen, dass der Rotor gegen Korrosion und mechanische Beschädigung geschützt ist. Der Rotor muss mit einer pH-neutralen Reinigungsflüssigkeit gereinigt werden.



VORSICHT Bevor Sie andere als die in diesem Handbuch empfohlenen Reinigungs- oder Dekontaminationsmethoden anwenden, wenden Sie sich an Thermo Fisher Scientific, um sicherzustellen, dass die vorgeschlagene Methode das Gerät nicht beschädigt.



VORSICHT Wenn eine einzelne Gefahrenschutzstufe erforderlich ist, stellen Sie sicher, dass Behälter eingesetzt werden, die für Risikogruppe II oder höher getestet wurden, und dass mehr als eine Schutzstufe für den Fall von Materialien mit einer höheren Risikogruppe bereitgestellt wird.



VORSICHT Sollte das Gerät nicht spezifikationsgemäß arbeiten, muss das Zentrifugieren sofort gestoppt werden und das Anhalten des Rotors abgewartet werden. Das Produkt muss gereinigt und der Fehler gemäß den Anweisungen unter „**Störungsbeseitigung**“ vor der weiteren Nutzung des Produktes beseitigt werden. Kontaktieren Sie einen Vertragshändler oder den Hersteller, falls das Problem weiterhin besteht.



VORSICHT Die Arbeit muss so ausgeführt werden, dass weder der Benutzer noch eine andere Personen gefährdet wird.



VORSICHT Reparaturen dürfen nur von ausgebildetem und autorisiertem Service-Personal durchgeführt werden. Kontaktieren Sie Thermo Fisher Scientific.



VORSICHT Durch Öffnen des Gerätegehäuses oder eine unsachgemäße Verwendung des Gerätes erlischt die Garantie. Wenn ein Fehler während der Garantiezeit auftritt, ist Thermo Fisher Scientific wegen des Garantie-Service zu kontaktieren.



VORSICHT Verwenden Sie keine Geräte, die nicht korrekt installiert oder repariert worden sind.



VORSICHT Versuchen Sie nicht, das Gerät zu zerlegen oder zu modifizieren.



VORSICHT Das Gerät ist bei Raumtemperatur in trockener Umgebung aufzubewahren. Es darf keiner Sonneneinstrahlung, Feuchtigkeit oder extremen Temperaturen für längere Zeit ausgesetzt werden.



WARNUNG Das Laborverfahren muss sicherstellen, dass sich beim Betrieb in einem Bereich von 30 cm um die Zentrifuge herum keine Personen und keine gefährlichen Stoffe befinden.



WARNUNG Falls dieses Gerät nicht nach den Hersteller-Empfehlungen verwendet wird, ist die Gesamtsicherheit beeinträchtigt.



WARNUNG Vor der Nutzung und Entsorgung von Gefahrenstoffen prüfen Sie die Sicherheitsdatenblätter, tragen Sie die erforderliche persönliche Schutzausrüstung und halten Sie alle anwendbaren lokalen und nationalen Vorschriften ein.



WARNUNG Dieses Produkt enthält keine Bioabdichtung gemäß IEC/EN/CSA 61010-2-020 und kann bei Verschütten oder Freisetzen toxischer, radioaktiver oder pathogener Mikroorganismen keinen Grad an Sicherheit bieten. Daher wird der Einsatz dieser Materialien mit diesem Gerät nicht empfohlen.

Technische Daten

Umgebungsbedingungen

Höhe:	bis zu 2000 m über N.N.
Betriebstemperatur:	0 °C bis 40 °C
Lagerungstemperatur:	-20 °C bis 40 °C
Maximale relative Feuchte:	80% für Temperaturen bis 31 °C, linear abnehmend bis zu 50% relative Feuchte bei 40 °C
Relative Feuchte bei Betrieb:	10% bis 90% (nicht kondensierend)
Relative Feuchte bei Lagerung:	10% bis 90%

Technische Eigenschaften

Kapazität	Standardrotor 6 x 2,0 ml PCR-Streifenrotor 2 x 8 x 0,2 ml
Maximale Drehzahl:	6000 U/min
Max. RZB:	2000 x g
Abmessungen:	153 mm x 128 mm x 104 mm (L x B x H)
Gewicht:	0,73 kg (inkl. Rotor) 0,86 kg (inkl. Netzteil)

Elektrische Daten

mySPIN 6

Eingang: 12 V DC
Strom (unter Last): ca. 0,6 A
Leistung: ca. 7,3 W

Netzteil-Daten

Eingang: 100–240 V AC, 50/60 Hz, 1,0 A
Ausgang: 12 V DC, 2,2 A

12 V-Fahrzeugadapter

Eingang / Ausgang: 12–13,8 V
Bemessungsdaten: 12 V DC

Zubehör

Bestell-Nr.	Beschreibung
	Zubehör der mySPIN 6 Mini-Zentrifuge: <ul style="list-style-type: none">• Rotor für 6 x 1,5 / 2,0 ml Rörhchen• Rotor für 16 x 0,2 ml Rörhchen (einzeln oder 2 x 8er-Strip)• 0,2 ml Rörhchen-Adapter (Satz: 6 St.)
75004061	<ul style="list-style-type: none">• 0,5 ml Rörhchen-Adapter (Satz: 6 St.)• Aufbewahrungsbox für Rotoren und Adapter• Rörhchengestell• Universal-Netzadapter 100–240 V 50 / 60 Hz, mit 4 austauschbaren Steckertypen
75004085	mySPIN 6 Portable Kit Complete
Ersatzteile	
75004062	Rundrotor 6 x 1,5 / 2 ml
75004063	Rotor für 16 x 0,2 ml Rörhchen (einzeln oder 2 x 8er-Strip)
20290729	Ersatz-O-Ring
50146145	Rörhchen-Adapter-Einsätze für 0,2 / 0,5 ml (12 pro Packung; 6 von jeder Größe)
75004064	Netzadapter und Universal-Netzkabel
75004086	Transport-Box mit Einsätzen für mySPIN 6
75004087	12 V-Fahrzeugadapter für mySPIN 6

mySPIN 6 Portable Kit Complete (75004085):

Der mySPIN 6 Portable Kit Complete ist für die Trennung von Proben außerhalb der Labors oder in anderer Umgebung vorgesehen. Das Paket enthält:

- Komplette mySPIN 6 Mini-Zentrifuge mit Bedienungsanleitung
- Durchsichtige abschließbare Transport-Box
- Satz Trennsteg mit integriertem Rörhchengestell, Trennsteg passend für mySPIN 6
- 12-V-Fahrzeug-Netzadapter für den Anschluss vom Zigarettenanzünder an die mySPIN 6 Mini-Zentrifuge.

Transport-Box mit Einsätzen für mySPIN 6 (75004086):

Die Transport-Box dient zur Aufnahme der mySPIN 6 Mini-Zentrifuge mit weiterem notwendigen Zubehör, wie Rotor und Röhrchengestell, um sie vom Labor an den Einsatzort zu transportieren.

- Abmessungen: 380 mm x 196 mm x 160 mm (L x B x H)
- Gewicht: 1,2 kg
- Autoklavierbar
- Wasserdichte (auslaufsichere) Silikondichtung
- Wasserdicht bis zu einer (Wasser-)Tiefe von 1 m
- Belastbar bis zu 4 kg Gewicht

Die 6 Einsätze im Inneren der Transport-Box sind in der Abbildung unten dargestellt.

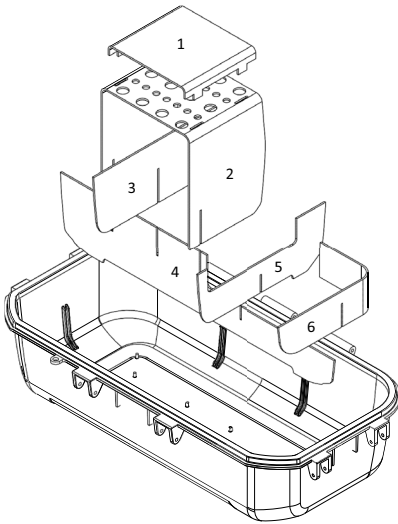


Abbildung 1. Einsätze der Transport-Box

Sie können die Einsätze gemäß Ihren Anforderungen hinzufügen oder entfernen.

12 V-Fahrzeugadapter (75004087):

Der 12 V-Fahrzeugadapter wird verwendet, um die mySPIN 6 Mini-Zentrifuge mit Strom zu versorgen und die Probentrennung vor Ort durchzuführen.

- Kabellänge: 1500 mm
- 24 awg / 2 C-Kabel
- Stecker passen in verschiedene Fahrzeuge mit Zigarettenanzünderbuchse

Bedienung

Betrieb der mySPIN 6 in einem Labor

1. Nehmen Sie den Inhalt aus der Verpackung und untersuchen Sie ihn sorgfältig auf Bruch, Defekte oder fehlende Teile. Bewahren Sie die Verpackung auf.

Hinweis Das Gerät ist zu entsorgen, wenn die Verriegelungen oder das Gehäuse Beschädigungen oder Risse aufweisen. Befolgen Sie die Richtlinien Ihrer Einrichtung oder Region für die Entsorgung von biologischen Gefahrstoffen.

2. Die mySPIN 6 Mini-Zentrifuge wird auf eine stabile, ebene Oberfläche weit vom Arbeitsplattenrand und anderen beweglichen Ausrüstungen aufgestellt. Stellen Sie sicher, dass das Netzkabel nicht in Berührung mit heißen Oberflächen und andere Gefahren kommt.



WARNUNG Nur ausgewogen platzierte Beladung zentrifugieren. Die Röhren nicht asymmetrisch platzieren und Röhren nicht mit ungleichem Volumen beladen. Eine unsachgemäße Platzierung der Röhren führt zu unzureichender Zentrifugation und kann eine Verletzung oder einen Unfall verursachen.

3. Vor jedem Einsatz ist das Gerät auf Risse, fehlende Teile oder Schäden zu untersuchen, die zu einer Beeinträchtigung der Leistung führen könnten. Bei Feststellung von fraglichem Zustand ist Thermo Fisher Scientific VOR der Benutzung zu benachrichtigen.
4. Stellen Sie sicher, dass sich der Netzschalter in der Position AUS befindet. Das Netzadapterkabel wird an die Rückseite des Gerätes und das Netzkabel in eine zugelassene Steckdose eingesteckt.
5. Netzschalter einschalten. Wenn ein gleichmäßiges Surren zu hören ist und das Gerät mit wenig oder ohne Vibration beschleunigt wird, ist mySPIN 6 einsatzbereit. Wenn es einen lauten oder ungewöhnlichen Lärm oder eine starke Vibration gibt, DARF DAS GERÄT NICHT BETRIEBEN WERDEN. Kontaktieren Sie den Technischen Support von Thermo Fisher Scientific.
6. Bereiten Sie die Probenröhren in einem Gestell auf einer Arbeitsfläche vor, so dass die Röhren gleichmäßig befüllt sind. Röhrendeckel schließen.
7. Um den Deckel zu öffnen, wird dieser fest in Richtung der Rückseite des Gerätes geklappt.

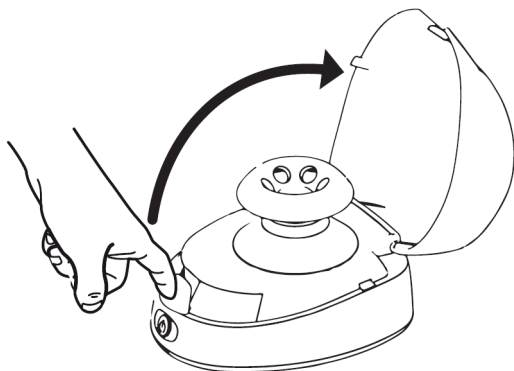


Abbildung 2. Deckel der Mini-Zentrifuge öffnen



WARNUNG Das Laborverfahren muss sicherstellen, dass sich beim Betrieb in einem Bereich von 30 cm um die Zentrifuge herum keine Personen und keine gefährlichen Stoffe befinden.

- Röhrchen mit gleichem Gewicht und gleicher Größe müssen in gegenüberliegende Positionen eingesetzt werden. Probenflüssigkeit oder Wasser im Röhrchen verwenden, um eine ausgewogen platzierte Beladung zu gewährleisten. Eine korrekt ausgerichtete Probenverteilung wird unten dargestellt.
- Röhrchen nicht mit Gewalt in den Rotor einsetzen. Für Ihre Anwendung korrekt dimensionierte Adapter und Rotoren verwenden.

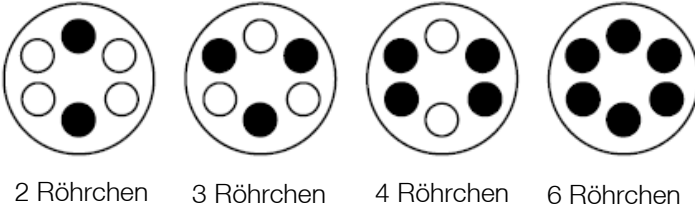


Abbildung 3. SnapSpin™ Rundrotor

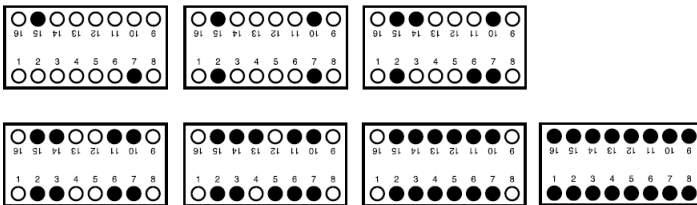



Abbildung 4. SnapSpin Rotor für Röhrchen-Strips

- Deckel fest schließen. Ein korrekt geschlossener Deckel greift die vordere Silikonlasche und hält den Deckel geschlossen. Falls während des Betriebs des Gerätes ein Klicken zu hören ist, ist der Deckel nicht vollständig geschlossen. Versuchen Sie nicht, das Gerät mit abgenommenem oder geöffnetem Deckel zu betreiben. Netzschalter einschalten. Das Gerät wird mit einem geöffneten Deckel nicht funktionieren. Wenn ein gleichmäßiges Surren zu hören ist und das Gerät mit wenig oder ohne Vibration beschleunigt wird, ist mySPIN 6 einsatzbereit. Wenn es ein lautes Geräusch oder ungewöhnlichen Lärm oder eine starke Vibration gibt, DARF DAS GERÄT NICHT BETRIEBEN WERDEN. Kontaktieren Sie den Technischen Support von Thermo Fisher Scientific.
- Um die Zentrifugation zu stoppen, den Netzschalter ausschalten und warten, bis der Rotor vollständig zum Stillstand gekommen ist und danach der Deckel geöffnet wird.



WARNUNG Deckel nicht öffnen, bis der Rotor zum Stillstand gekommen ist! Vermeiden Sie schwere Verletzungen oder Sachschäden durch bewegte Teile.

Betrieb der mySPIN 6 außerhalb des Labors

1. Die mySPIN 6 Mini-Zentrifuge wird auf eine stabile, ebene Oberfläche weit vom Arbeitsplattenrand und anderen beweglichen Ausrüstungen aufgestellt.
2. Stellen Sie sicher, dass sich der Netzschalter in der Position AUS befindet.
3. Stecken Sie den 12 V-Fahrzeugadapter in die Zigarettenanzünderbuchse des Fahrzeugs.
4. Den Netzschalter  der Zentrifuge betätigen.
5. Folgen Sie Schritt 7 bis Schritt 10 aus dem obigen Verfahren in **Betrieb der mySPIN 6 in einem Labor**.
6. Entfernen Sie den Adapter aus dem Fahrzeug.



VORSICHT Das Adapterkabel darf nicht gedehnt, verdreht oder verbogen werden, um Schäden zu vermeiden.

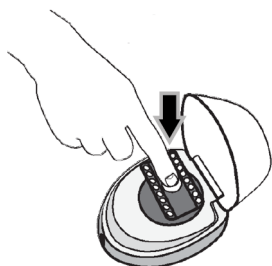
Hinweis: Das Gerät muss sicher versiegelt und verriegelt sein, wenn sie mit beigefügten Proben transportiert wird.

Rotor wechseln

Um den SnapSpin-Rotor zu entfernen: Fest auf den mittleren Knopf drücken und gleichzeitig den Rotor nach oben ausziehen.



Um den SnapSpin-Rotor einzubauen: Den Rotor auf die Sechskantwelle setzen. Fest auf den mittleren Knopf drücken. Der Rotor muss mit einem Klickgeräusch einrasten.



Wartung

Die mySPIN 6 Mini-Zentrifuge ist normalerweise wartungsfrei. Reinigen Sie das Geräte nur, wenn es von der Steckdose getrennt ist. Falls notwendig, kann das Gehäuse und der Rotor mit einem feuchten Tuch und einem milden, nicht-korrosierenden Reinigungsmittel abgewischt werden.



WARNUNG Kein Lösungsmittel am Gerät einsetzen, das den Kunststoff angreifen oder zu Rissen am Rotor oder am Gerät führen kann. Exposition gegenüber natürlicher oder künstlicher UV-Strahlung vermeiden. Zusätzlich zu Rissen kann eine Verfärbung, Erweichung oder Netzrisbildung der Kunststoffmaterialien auftreten. Korrosion kann auch an den Metallteilen auftreten, die Teil der SnapSpin-Rotorfunktion sind. Dies kann zu einer Materialschwächung führen. Es ist sicherzustellen, dass der Rotor gegen Korrosion und mechanische Beschädigung geschützt ist. Der Rotor muss mit einer neutralen Reinigungsflüssigkeit gereinigt werden.

Hinweis: Es ist sicherzustellen, dass vor dem Betrieb alle Teile trocken sind.

Die Transport-Box kann mit Seife, Wasser, Bleichmittelgemisch, IPA & Ethanol gereinigt werden. Sie ist 15 Minuten lang bei 121°C autoklavierbar.



WARNUNG Höhere Temperaturen oder eine längere Dauer des Autoklavierens können die Transport-Box beschädigen. Die Box muss während des Autoklavierens entriegelt und geöffnet werden, wobei die Silikondichtung an Ort und Stelle belassen werden muss.

Störungsbeseitigung

Tabelle 1. Störungsbeseitigung

Fehler	Mögliche Ursache	Lösung
Nicht funktionsfähig Kein Licht	Anschluss des Netzkabels/Adapters locker	Netzkabel/Adapter prüfen
	EIN-/AUS-Schalter an der Vorderseite nicht betätigt	EIN-/AUS-Schalter an der Vorderseite betätigen
	Deckel nicht geschlossen	Deckel schließen
Starke Vibration	Rotor nicht richtig eingesetzt	Rotor neu einsetzen
	Rotor nicht ausgewogen beladen	Röhrchen auf gleichmäßige Gewichtsverteilung und korrekte Position prüfen (siehe Bedienung)
	Weiche oder unebene Oberfläche	Die mySPIN 6 auf eine stabile und ebene Fläche stellen.
Geräusch – Klick- Sound	Deckel nicht vollständig geschlossen	Deckel mit der Einrastung der Silikonlasche schließen
Rotor fällt aus	Rotor nicht eingerastet	Rotor erneut einsetzen (siehe Rotor wechseln)

Entsorgung

Das von Ihnen gekaufte Gerät kann gefährliche Substanzen enthalten, die die Umwelt schädigen können. Gemäß den Vorschriften für elektronische Geräte in der Europäischen Gemeinschaft müssen Sie die entsprechenden Entsorgungssysteme verwenden, um das Austreten dieser Stoffe in die Umwelt zu vermeiden. Die Entsorgungssysteme werden die Gefahrenstoffe aus Ihrem Gerät verantwortungsvoll wiederverwenden oder verwerten.

Das Symbol der durchgestrichenen Mülltonne steht für die Empfehlung, diese Systeme zu verwenden.



Wenn Sie mehr Informationen über die Abholung, Wiederverwendung und Recycling-Systeme benötigen, kontaktieren Sie bitte Ihr lokales oder regionales Abfallunternehmen. Sie können auch uns für weitere Informationen über die Umwelleistung unserer Produkte kontaktieren.

Rechtliche Informationen



Dieses Zeichen ist die Bestätigung, dass das Gerät den EU-Anforderungen entspricht.



Entspricht:

ANSI/UL Std. 61010-1

IEC/EN 61010-1

710213

IEC/EN 61010-2-020

CAN/CSA C22.2 Nr. 61010-1.

Garantie

DIE HAFTUNGSVERPFLICHTUNG VON THERMO FISHER SCIENTIFIC IM RAHMEN DIESER GARANTIE IST IN JEDEM FALL AUF DEN KAUFPREIS DES PRODUKTES BEGRENZT.

Eingeschränkte Garantie

Thermo Fisher Scientific garantiert, dass die mySPIN 6 Mini-Zentrifuge für einen Zeitraum von 3 Jahren ab Kaufdatum frei von Verarbeitungs- und Materialfehlern ist. Thermo Fisher Scientific gewährt ein Jahr Garantie für die Transport-Box und den 12 V-Fahrzeugadapter ab Kaufdatum.

Wenn Sie der Meinung sind, dass ein Defekt am Produkt vorliegt, müssen Sie Thermo Fisher Scientific während der Garantiezeit benachrichtigen, einen Kaufbeleg vorlegen und das Produkt mit einem Rücksende-Genehmigungsformular an Thermo Fisher Scientific zurücksenden.

Wenn Thermo Fisher Scientific ordnungsgemäß benachrichtigt wird und nach Prüfung bestätigt, dass ein Defekt vorliegt und die Garantiezeit noch nicht abgelaufen ist, wird Thermo Fisher Scientific das Produkt nach eigenem Ermessen kostenlos reparieren, modifizieren oder ersetzen.

MIT AUSNAHME DIESER EINGESCHRÄNKTEN GEWÄHRLEISTUNG GIBT THERMO FISHER SCIENTIFIC KEINE WEITEREN AUSDRÜCKLICHEN ODER IMPLIZITEN GARANTIE HINSICHTLICH DER QUALITÄT ODER LEISTUNG DES PRODUKTS, EINSCHLIESSLICH, ABER NICHT BESCHRÄNKT AUF DIE IMPLIZITE GEWÄHRLEISTUNG DER MARKTGÄNGIGKEIT UND EIGNUNG FÜR EINEN BESTIMMTEN ZWECK, DIE HIERMIT ABGELEHNT UND AUSGESCHLOSSEN WERDEN. THERMO FISHER SCIENTIFIC IST IN KEINEM FALL HAFTBAR FÜR NUTZUNGSAusFALL, ENTGANGENEN GEWINN, FOLGE-, SONDER-, EXEMPLARISCHE ODER STRAFSCHADENERSATZ.

VON DIESER GARANTIE AUSGESCHLOSSEN SIND:

ZUBEHÖRTEILE, WIE GUMMITEILE, DIE DURCH FLÜSSIGKEITEN ODER MISSBRÄUCLICHE VERWENDUNG BESCHÄDIGT WERDEN.

ALLE MÄNGEL ODER SCHÄDEN, DIE DURCH UNSACHGEMÄSSEN ODER UNANGEMESSENEN GEBRAUCH DES PRODUKTS VERURSACHT WURDEN. (mySPIN 6 DARF AUSSCHLIESSLICH DURCH GESCHULTES TECHNISCHES LABORPERSONAL BEDIENT WERDEN. DAS BETREIBEN DURCH ANDERE PERSONEN FÜHRT ZUM ERLÖSCHEN DIESER GARANTIE).

JEDES PRODUKT, DAS NACH ALLEINIGEM ERMESSEN VON THERMO FISHER SCIENTIFIC VON JEMAND ANDEREM ALS THERMO FISHER SCIENTIFIC MANIPULIERT, VERÄNDERT ODER REPARIERT WURDE.

JEDES PRODUKT, DAS AUS FOLGENDEN GRÜTEN NICHT FUNKTIONSFÄHIG IST: (a) ABNUTZUNG, (b) FAHRLÄSSIGKEIT, (c) UNFALL, (d) UNSACHGEMÄSSE WARTUNG ODER (e) VERWENDUNG UNTER NICHT ORDNUNGSGEMÄSSEN TEMPERATUR-, SCHMUTZ- ODER KORROSIONSBEDINGUNGEN ODER VERWENDUNG MIT ABRASIVEN ODER KORROSIVEN MATERIALIEN.

Registrieren Sie Ihre Garantie online unter

www.thermofisher.com/warranty.

thermo scientific

Contact Information

Thermo Fisher Scientific products are backed by a global technical support team ready to support your applications. Visit www.thermofisher.com or call:

Countries	Sales	Services
North America	+1 866 984 3766	(800) 438-4851
India	1800 22 8374, +91 22 6716 2200	+91 22 6716 2200
China	+800 810 5118, +400 650 5118	+8621 68654588
Japan	+81 3 5826 1616	+81 3 3816 3355
Australia	+61 39757 4300	1 300 735 292
Austria	+43 1 801 40 0	+43 1 801 40 0
Belgium	+32 53 73 42 41	+32 2 482 30 30
France	+33 2 2803 2180	+33 2 2803 2180
Germany	0800 1 536 376, +49 6184 90 6000	0800 1 536 376
Italy	+32 02 95059 552	+39 02 95059 552, 432 254 375
Netherlands	+31 76 579 55 55	+31 76 571 4440
Nordic/Baltic/CIS	+358 9 329 10200	+358 9 329 100
Russia	+7 812 703 4215	+7 812 703 4215
Spain/Portugal	+34 93 223 09 18	+34 93 223 09 18
Switzerland	+41 44 454 12 22	+41 44 454 12 12
UK/Ireland	+44 870 609 9203	+44 870 609 9203
New Zealand	+64 9 980 6700	+64 9 980 6700
Other Asian Countries	+852 2885 4613	+852 2885 4613
Countries not listed	+49 6184 90 6000	+49 6184 90 6000

Distributor: Thermo Electron LED GmbH
Zweigniederlassung Osterode
Am Kalkberg, 37520 Osterode am Harz
Germany

Find out more at thermofisher.com/Centrifuge

© 2016–2020 Thermo Fisher Scientific Inc. All rights reserved. All trademarks are the property of Thermo Fisher Scientific and its subsidiaries unless otherwise specified. Heathrow Scientific is a registered trademark of Heathrow Scientific. All other trademarks are the property of Thermo Fisher Scientific Inc. and its subsidiaries. Specifications, terms and pricing are subject to change. Not all products are available in all countries. Consult your local sales representative for details. Shown pictures within the manual are examples and may differ considering the set parameters and language.

Manufacturer: Heathrow Scientific
620 Lakeview Parkway, Vernon Hills
IL, 60061
USA

ThermoFisher
SCIENTIFIC

50145670 (English) is the original instruction manual.

thermo scientific



Mini Centrifuge mySPIN 6 Thermo Scientific

Manual de instrucciones

50145670-f • 12 / 2020

ThermoFisher
SCIENTIFIC

Contenido

Precauciones de seguridad.....	1
Especificaciones	5
Datos ambientales	5
Características técnicas	5
Datos eléctricos	5
Accesorios.....	6
Operación.....	8
Operación de la mySPIN 6 en un laboratorio	8
Operación de la mySPIN 6 en un entorno remoto	10
Reemplazo del rotor	10
Mantenimiento	11
Solución de problemas	12
Eliminación.....	12
Información legal.....	13
Garantía.....	14
Datos de contacto	15

Precauciones de seguridad

Thermo Scientific™ mySPIN 6 es una mini centrífuga personal diseñada para los laboratorios de los distintos campos de las ciencias biológicas, la medicina y la química. Puede usarse con materiales peligrosos o que representen un riesgo biológico. Es responsabilidad del usuario consultar y cumplir todas las precauciones de salud y seguridad, además de evaluar la idoneidad del instrumento con respecto a la tarea para la cual se utiliza.

Antes de utilizar la centrífuga por primera vez, lea atentamente este manual de instrucciones. En este manual se incluye información importante, medidas de protección e instrucciones de operación.



PRECAUCIÓN Nunca utilice el producto de alguna manera incoherente con estas instrucciones.



PRECAUCIÓN Este producto está diseñado para separar soluciones acuosas en los tubos de ensayo aprobados compatibles con la fuerza centrífuga relativa (RCF) de esta unidad.



PRECAUCIÓN Este producto no está diseñado para centrifugar materiales demasiado densos. No utilice materiales con una densidad mayor a 1,2 g/cm³ (1,2 g/ml).



PRECAUCIÓN Utilice solamente el adaptador de corriente que se incluye con el producto. El uso de otros adaptadores de alimentación anulará la garantía.



PRECAUCIÓN No acerque las manos a la zona del rotor, a menos que el rotor esté completamente detenido.



PRECAUCIÓN Utilice solamente los rotores, adaptadores de AC, adaptadores de tubo y repuestos originales suministrados con la unidad. Estas piezas fueron diseñadas para alcanzar en forma segura la RCF máxima que la centrífuga es capaz de lograr. **NO UTILICE ROTORES NI COMPONENTES DE NINGÚN OTRO FABRICANTE.**



PRECAUCIÓN Asegúrese siempre de que los rotores estén colocados firmemente.



PRECAUCIÓN Respete las reglamentaciones y precauciones de seguridad generales del laboratorio.



PRECAUCIÓN No intente operar el producto sin la cubierta o con la cubierta levantada.



PRECAUCIÓN El rotor y la tapa deben estar siempre anclados con firmeza cuando el producto se encuentre en funcionamiento.



PRECAUCIÓN No utilice rotores dañados.



PRECAUCIÓN No mueva la unidad mientras el rotor esté girando.



PRECAUCIÓN No intente detener el rotor mientras la unidad esté funcionando. Si lo hace, podría resultar herido o la unidad podría fallar, en cuyo caso se anularía la garantía.



PRECAUCIÓN La mini centrífuga mySPIN 6 no debe utilizarse en condiciones húmedas, incluidas, entre otras, lluvia, nieve o inmersión en agua. Podría producirse una descarga eléctrica o un incendio y usted podría resultar herido.



PRECAUCIÓN El rotor se debe cargar en forma simétrica. La operación de esta unidad con un rotor desequilibrado provocará vibraciones y daños importantes, lo cual no está cubierto por la garantía.



PRECAUCIÓN No llene los tubos mientras están insertados en el rotor. Puede derramarse líquido y producirse daños en la unidad.



PRECAUCIÓN Cierre los tubos con su respectiva tapa antes de comenzar a centrifugar. Si las tapas están abiertas, se pueden desprender durante la centrifugación y dañar la unidad. Las tapas abiertas pueden causar que se derrame líquido dentro de la centrifuga.



PRECAUCIÓN No inserte tubos que no sean estándares ni artículos extraños en el rotor.



PRECAUCIÓN Respete todas las precauciones indicadas en la Hoja de datos de seguridad de materiales (MSDS) para cualquier reactivo que utilice con el instrumento.



PRECAUCIÓN No utilice disolventes ni líquidos inflamables cerca de este u otro equipo eléctrico.



PRECAUCIÓN No centrifugue materiales que, ya sea combinados o solos, resulten inflamables, explosivos o corrosivos, o bien, que puedan causar cualquier otro daño.



PRECAUCIÓN No opere el producto en un entorno peligroso o inflamable.



PRECAUCIÓN No utilice en la unidad ningún disolvente que pueda dañar el plástico o la goma, o bien, que pueda causar fisuras en el rotor.



PRECAUCIÓN Asegúrese de que el rotor esté protegido de la corrosión y los daños mecánicos. El rotor se debe limpiar con un líquido de limpieza con pH neutro.



PRECAUCIÓN Antes de utilizar cualquier método de limpieza o descontaminación (excepto aquellos que se recomiendan en este manual), comuníquese con Thermo Fisher Scientific para asegurarse de que el método elegido no dañe el dispositivo.



PRECAUCIÓN Si se requiere un único nivel de protección, asegúrese de utilizar los recipientes probados para el grupo de riesgo II o superior, y asegúrese de que se proporcione más de un nivel de protección en el caso de los materiales de un grupo de riesgo superior.



PRECAUCIÓN En caso de que la unidad no funcione de acuerdo con las especificaciones, detenga inmediatamente la centrifugación y espere hasta que el rotor se detenga completamente. Limpie y solucione los problemas del producto de acuerdo con las instrucciones especificadas en «**Solución de problemas**» antes de volver a utilizar el producto. Si el problema persiste, comuníquese con un distribuidor autorizado o con el fabricante.



PRECAUCIÓN El producto se debe utilizar de manera tal que nunca ponga en peligro al usuario ni a ninguna otra persona.



PRECAUCIÓN Solo el personal de servicio autorizado y capacitado puede realizar las reparaciones correspondientes. Comuníquese con Thermo Fisher Scientific.



PRECAUCIÓN La apertura de la carcasa del instrumento o su uso incorrecto anulan la garantía. Si se produce un fallo durante el período de garantía, comuníquese con Thermo Fisher Scientific para recibir el servicio correspondiente a la garantía.



PRECAUCIÓN No utilice unidades que no se hayan instalado o reparado correctamente.



PRECAUCIÓN No intente desarmar ni modificar el producto.



PRECAUCIÓN Consérvelo en un lugar seco y a temperatura ambiente. No lo exponga a la luz solar, la humedad o temperaturas extremas durante períodos prolongados.



ADVERTENCIA El procedimiento del laboratorio debe garantizar que no haya ninguna persona o sustancia peligrosa dentro de una zona de 12" (30 cm) alrededor de la centrífuga cuando esta esté en funcionamiento.



ADVERTENCIA Si este producto no se utiliza como lo recomienda el fabricante, será perjudicial para la seguridad en general.



ADVERTENCIA Revise la MSDS, use el equipo de protección individual obligatorio y cumpla con todas las reglamentaciones locales y nacionales correspondientes antes de distribuir y eliminar materiales peligrosos.



ADVERTENCIA Este producto no contiene biosellos según la directiva IEC/EN/CSA 61010-2-020 y no puede proporcionar ningún nivel de contención en caso de derrame o liberación de microorganismos tóxicos, radioactivos o patógenos. Por lo tanto, no se recomienda el uso de esos materiales con este producto.

Especificaciones

Datos ambientales

Altitud:	hasta 2000 m
Temperatura de funcionamiento:	de 0 °C a 40 °C
Temperatura de almacenamiento:	de -20 °C a 40 °C
Humedad relativa máxima:	80 % a temperaturas de hasta 31 °C, decreciendo linealmente hasta el 50 % de humedad relativa a 40 °C
Humedad relativa durante el funcionamiento:	de 10 % a 90 % (sin condensación)
Humedad relativa durante el almacenamiento:	de 10 % a 90 %

Características técnicas

Capacidad:	Rotor estándar 6 x 2,0 mL Rotor de tiras PCR 2 x 8 x 0,2 mL
Velocidad máxima:	6000 rpm
RCF máxima:	2000 x g
Dimensiones:	153 mm x 128 mm x 104 mm (largo x ancho x alto)
Peso:	0,73 kg (con rotor) 0,86 kg (con adaptador de corriente)

Datos eléctricos

mySPIN 6

Entrada: 12 V DC

Corriente (bajo carga): aprox. 0,6 A

Potencia: aprox. 7,3 W

Datos del adaptador de corriente

Entrada: 100–240 V AC, 50/60 Hz, 1,0 A

Salida: 12 V DC, 2,2 A

Adaptador de 12 V para automóvil

Entrada/salida: 12–13,8 V

Valor nominal: 12 V DC

Accesorios

Número de artículo	Descripción
75004061	La mini centrífuga mySPIN 6 incluye: <ul style="list-style-type: none">• Rotor para 6 tubos de 1,5 / 2,0 ml• Rotor para 16 tubos de 0,2 ml (individuales o 2 x 8 tiras)• Adaptadores de tubo de 0,2 ml (juego de 6)• Adaptadores de tubo de 0,5 ml (juego de 6)• Caja de almacenamiento para rotores y adaptadores• Soporte para tubos• Adaptador de corriente universal 100–240 V 50 / 60 Hz, con 4 tipos de clavijas intercambiables
75004085	Kit portátil mySPIN 6 completo
Piezas de repuesto	
75004062	Rotor circular para 6 uds. de 1,5 / 2 ml
75004063	Rotor para 16 tubos de 0,2 ml (individuales o 2 x 8 tiras)
20290729	Junta tórica de repuesto
50146145	Insertos adaptadores de tubo para 0,2 / 0,5 ml (12 por paquete; 6 de cada tamaño)
75004064	Juego de adaptador de corriente y cable de alimentación universal
75004086	Caja de transporte mySPIN 6 con insertos
75004087	Adaptador de 12 V para automóvil mySPIN 6

Kit portátil mySPIN 6 (75004085):

El kit portátil mySPIN 6 está destinado a separar muestras fuera de los laboratorios o en un lugar remoto. El kit incluye:

- La mini centrífuga mySPIN 6 con manual de instrucciones.
- Caja de transporte transparente con cerradura.
- Juego de divisores con soporte integral para tubos, divisores diseñados para adaptarse a mySPIN 6.
- Adaptador de corriente de 12 V para automóvil, para conectar la toma de mechero a la mini centrífuga mySPIN 6.

Caja de transporte mySPIN 6 con insertos (75004086):

La caja de transporte está destinada a alojar la mini centrifuga mySPIN 6 con otros accesorios necesarios, como el rotor y el soporte para tubos, para sacarlos del laboratorio para el trabajo de campo.

- Dimensiones: 380 mm x 196 mm x 160 mm (largo x ancho x alto)
- Peso: 1,2 kg
- Esterilizable en autoclave
- Sellado hermético de silicona (a prueba de fugas)
- A prueba de fugas cuando se sumerge en 1 metro de agua
- Soporta hasta 4 kg de peso

En la siguiente figura se muestran los 6 insertos que hay en la caja de transporte.

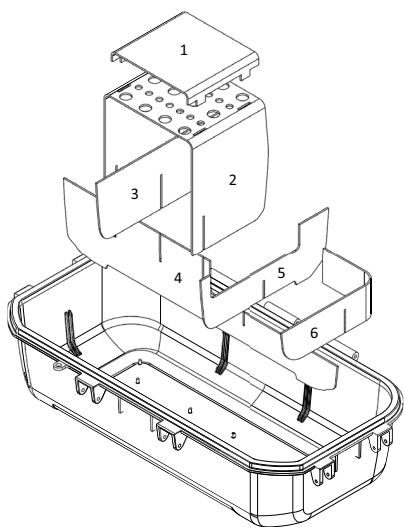


Figura 1. Insertos de la caja de transporte

Puede añadir o quitar los insertos según sus necesidades.

Adaptador de 12 V para automóvil (75004087):

El adaptador de 12 V para automóvil se utiliza para encender la mini centrifuga mySPIN 6 y realizar la separación de muestras sobre el terreno.

- Longitud del cable: 1500 mm
- Cable de 24 awg / 2 C
- La clavija es compatible con la toma de mechero de distintos automóviles

Operación

Operación de la mySPIN 6 en un laboratorio

1. Extraiga el contenido del paquete, examínelo detenidamente para detectar roturas, defectos o si falta alguna pieza. Guarde el embalaje.

Nota: La unidad debe desecharse si las cerraduras o la carcasa están rotas o agrietadas. Siga las políticas de sus instalaciones o su región para la eliminación de materiales biológicos peligrosos.

2. Coloque la mini centrifuga mySPIN 6 sobre una superficie plana y resistente, lejos del borde y de otros equipos que se mueven. Asegúrese de que el cable de alimentación esté alejado de superficies calientes y de otros peligros.



ADVERTENCIA Solo se deben hacer girar las cargas equilibradas. No coloque los tubos de forma asimétrica ni cargue tubos con volúmenes desiguales. La colocación incorrecta de los tubos provocará que la centrifugación no sea suficiente y puede causar lesiones o accidentes.

3. Antes de cada uso, inspeccione la unidad en busca de grietas, piezas faltantes o cualquier otro daño que pueda resultar en un rendimiento deficiente y notifique a Thermo Fisher Scientific ANTES de usarla.
4. Verifique que el interruptor de alimentación se encuentre en la posición APAGADO. Enchufe el cable del adaptador de corriente en la parte trasera de la unidad y conecte el cable de alimentación a una toma de corriente aprobada. Asegúrese de que se pueda acceder rápidamente a la conexión del cable de alimentación en la parte trasera del dispositivo y que se pueda desconectar fácilmente de la centrifuga.
5. Coloque el interruptor de alimentación en la posición ENCENDIDO. Si se escucha un zumbido suave y la unidad acelera con poca o ninguna vibración, mySPIN 6 está lista para usarse. Si se escuchan sonidos fuertes o poco comunes, o bien, demasiadas vibraciones, NO LA UTILICE. Comuníquese con el soporte técnico de Thermo Fisher Scientific.
6. En la mesa de trabajo, coloque los tubos de las muestras en el soporte para llenarlos todos al mismo nivel. Cierre las tapas de los tubos.
7. Para abrir la tapa, sujétela e inclínela firmemente hacia atrás de la unidad.

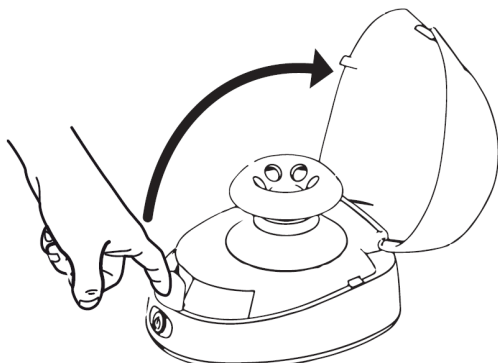
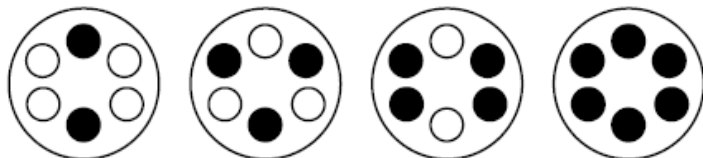


Figura 2. Abrir la tapa de la mini centrifuga



ADVERTENCIA El procedimiento del laboratorio debe garantizar que no haya ninguna persona o sustancia peligrosa dentro de una zona de 12" (30 cm) alrededor de la centrífuga cuando esta esté en funcionamiento.

- Los tubos de igual peso y tamaño deben colocarse uno frente al otro. Coloque agua o la muestra en el tubo para lograr el equilibrio necesario. A continuación, se muestra el equilibrio correcto de las muestras.
- No fuerce los tubos dentro del rotor. Utilice adaptadores y rotores del tamaño correcto para su aplicación.



2 tubos

3 tubos

4 tubos

6 tubos

Figura 3. Rotor circular SnapSpin™

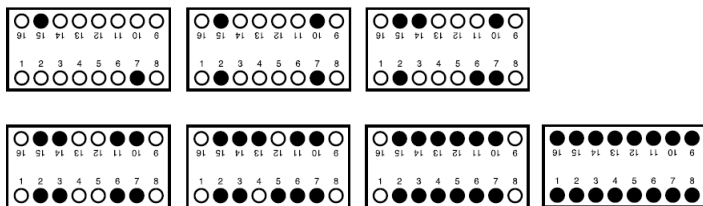



Figura 4. Tiras de tubos SnapSpin

- Cierre bien la tapa. La pestaña de silicona de una tapa cerrada correctamente evitará que se abra. Si se escucha un clic mientras la unidad se encuentra en funcionamiento, la tapa no está completamente cerrada. No intente operar el producto sin la tapa o con la tapa levantada. Coloque el interruptor de alimentación en la posición ENCENDIDO. La unidad no funcionará si la tapa se encuentra abierta. Si se escucha un zumbido suave y la unidad acelera con poca o ninguna vibración, mySPIN 6 está lista para usarse. Si se escuchan sonidos fuertes o poco comunes, o bien, demasiadas vibraciones, NO LA UTILICE. Comuníquese con el soporte técnico de Thermo Fisher Scientific.
- Para detener la centrifugación, presione el interruptor de alimentación y espere hasta que el rotor deje de girar completamente para abrir la tapa.



ADVERTENCIA No abra la tapa hasta que el rotor se haya detenido completamente. Tenga cuidado con las piezas en movimiento, ya que podría resultar herido de gravedad o podrían producirse daños materiales.

Operación de la mySPIN 6 en un entorno remoto

1. Coloque la mini centrifuga mySPIN 6 sobre una superficie llana y resistente, lejos del borde y de otros equipos que se mueven.
2. Verifique que el interruptor de alimentación se encuentre en la posición APAGADO.
3. Conecte el adaptador de 12 V para automóvil a la toma de mechero.
4. Presione el botón de encendido  de la centrifuga.
5. Siga los pasos del 7 al 10 del procedimiento anterior que se describe en **Operación de la mySPIN 6 en un laboratorio.**
6. Retire el adaptador del automóvil.



PRECAUCIÓN Tenga cuidado de que el cable adaptador no se estire, se doble ni se retuerza para evitar que resulte dañado.

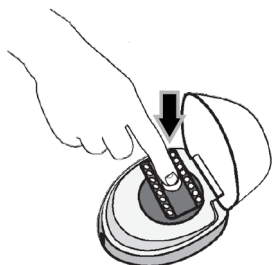
Nota: La unidad debe estar sellada de forma segura y bloqueada cuando se transporta con las muestras adjuntas.

Reemplazo del rotor

Para quitar el rotor SnapSpin: presione firmemente el botón del centro y, al mismo tiempo, levante el rotor hacia arriba.



Para instalar el rotor SnapSpin™: coloque el rotor en el eje hexagonal. Presione firmemente el botón del centro hacia abajo. El rotor encajará y se escuchará un clic.



Mantenimiento

Por lo general, la mini centrifuga mySPIN 6 no necesita mantenimiento. Limpie la unidad solo cuando no esté conectada a una toma de corriente. Cuando sea necesario, se pueden limpiar la carcasa y el rotor con un paño húmedo y un detergente suave no corrosivo.



ADVERTENCIA No utilice ningún disolvente en la unidad que pueda atacar el plástico o causar grietas en el rotor o en la unidad. Evite la exposición a la radiación UV, ya sea natural o artificial. Además de las grietas, pueden producirse decoloraciones, ablandamientos o agrietamientos en los materiales plásticos. También puede producirse corrosión en las piezas metálicas que forman parte de la característica del rotor SnapSpin. Este daño puede debilitarlos. Asegúrese de que el rotor esté protegido de la corrosión y los daños mecánicos. El rotor se debe limpiar con un líquido de limpieza neutro.

Nota: Asegúrese de que todas las piezas estén completamente secas antes de utilizar el instrumento.

La caja de transporte se puede limpiar con jabón, agua, mezcla de lejía, IPA y etanol. Se puede esterilizar en autoclave a 121 °C durante 15 minutos.



ADVERTENCIA Las temperaturas más altas o un mayor tiempo de tratamiento en autoclave pueden dañar la caja de transporte. Durante el autoclave, la caja debe estar desbloqueada y abierta, y el sello de silicona debe estar en su lugar.

Solución de problemas

Tabla 1. Solución de problemas

Problema	Posible causa	Solución
No funciona	Conexión floja del cable de alimentación/adaptador	Revise el cable de alimentación/adaptador
No se enciende la luz	Interruptor frontal de ENCENDIDO/APAGADO	Presione el interruptor frontal de ENCENDIDO/APAGADO
	No se cerró la tapa	Cierre la tapa
Demasiadas vibraciones	El rotor no se instaló correctamente	Vuelva a instalar el rotor
	El rotor no está equilibrado	Revise los tubos para comprobar que su peso y ubicación sean iguales (consulte Operación)
	Superficie blanda o desigual	Coloque el mySPIN 6 en una superficie robusta y nivelada.
Ruido; se escucha un clic	No se cerró completamente la tapa	Cierre la pestaña de silicona que traba la tapa
El rotor se cae	El rotor no está fijado	Vuelva a montar el rotor (consulte Reemplazo del rotor)

Eliminación

El equipo que compró puede contener sustancias peligrosas perjudiciales para el medio ambiente. De acuerdo con las reglamentaciones sobre dispositivos electrónicos vigentes en la Comunidad Europea, debe utilizar los sistemas de eliminación adecuados para evitar exponer al medio ambiente a dichas sustancias. Mediante los sistemas de eliminación se volverán a utilizar responsablemente los materiales peligrosos de su equipo.

El símbolo del cubo de basura con rueditas tachado el invita a utilizar esos sistemas de eliminación.



Si necesita más información sobre los sistemas de recolección, reutilización y reciclaje, comuníquese con la administración de residuos a nivel local o regional. También puede comunicarse con nosotros para obtener más información sobre el impacto ambiental de nuestros productos.

Información legal



Esta marca es la confirmación de que la unidad cumple con los requisitos de la UE.



Cumple con:

Norma ANSI/UL 61010-1

IEC/EN 61010-1

IEC/EN 61010-2-020

CAN/CSA C22.2 N.º 61010-1.

Garantía

EN NINGÚN CASO LA OBLIGACIÓN DE THERMO FISHER SCIENTIFIC LLC SEGÚN ESTA GARANTÍA SUPERARÁ EL PRECIO DEL PRODUCTO.

Garantía limitada

Thermo Fisher Scientific garantiza que la mini centrifuga mySPIN 6 estará libre de cualquier defecto de mano de obra y materiales durante 3 años a partir de la fecha de compra.

Thermo Fisher Scientific ofrece una garantía de un año para la caja de transporte y el adaptador de 12 V para automóvil a partir de la fecha de compra.

Si considera que el producto presenta un defecto, debe notificarlo a Thermo Fisher Scientific durante el período de garantía, además de proporcionar una prueba de compra y devolver el producto a Thermo Fisher Scientific junto con el formulario de autorización de devolución.

Si se notifica a Thermo Fisher Scientific como corresponde y, después de su inspección, se confirma que existe el defecto mencionado y no ha finalizado el período de garantía, Thermo Fisher Scientific reparará, modificará o reemplazará el producto, según su decisión y sin costo alguno.

EXCEPTO POR ESTA GARANTÍA LIMITADA, THERMO FISHER SCIENTIFIC NO PROPORCIONA NINGUNA OTRA GARANTÍA, EXPLÍCITA NI IMPLÍCITA, CON RESPECTO A LA CALIDAD O EL RENDIMIENTO DEL PRODUCTO, INCLUIDAS, ENTRE OTRAS, LAS GARANTÍAS IMPLÍCITAS DE COMERCIABILIDAD Y ADECUACIÓN PARA UN FIN ESPECÍFICO, LAS CUALES SE RECHAZAN Y EXCLUYEN POR MEDIO DE LA PRESENTE. EN NINGÚN CASO THERMO FISHER SCIENTIFIC SERÁ RESPONSABLE DE NINGUNA PÉRDIDA DE USO, PÉRDIDA DE GANANCIAS NI, DAÑOS CONSECUENTES, ESPECIALES, ALECCIONADORES O PUNITIVOS.

ESTA GARANTÍA NO ABARCA:

LOS ACCESORIOS, COMO PIEZAS DE GOMA, DAÑADOS POR LOS LÍQUIDOS O POR UN USO INDEBIDO.

NINGÚN DEFECTO O DAÑO CAUSADO POR EL USO INCORRECTO O INACEPTABLE DEL PRODUCTO. (mySPIN 6 ESTÁ DISEÑADA PARA QUE SOLAMENTE LA UTILICEN TÉCNICOS DE LABORATORIO CAPACITADOS. EL USO POR PARTE DE CUALQUIER OTRA PERSONA ANULARÁ ESTA GARANTÍA).

NINGÚN PRODUCTO QUE, A CRITERIO DE THERMO FISHER SCIENTIFIC, HAYA SIDO MANIPULADO, ALTERADO O REPARADO POR ALGUIEN QUE NO PERTENEZCA A THERMO FISHER SCIENTIFIC.

NINGÚN PRODUCTO QUE NO FUNCIONE DEBIDO A: (a) DESGASTE OCASIONADO POR EL USO, (b) NEGLIGENCIA, (c) ACCIDENTE, (d) MANTENIMIENTO INCORRECTO; O (e) USO EN CONDICIONES ANORMALES DE TEMPERATURA, SUCIEDAD O CORROSIÓN, O USO CON MATERIALES ABRASIVOS O CORROSIVOS.

Registre su garantía en línea en

www.thermofisher.com/warranty.

Datos de contacto

Los productos de Thermo Fisher Scientific están respaldados por un equipo de soporte técnico global listo para ayudarle con sus aplicaciones. Visite www.thermofisher.com o llame:

Países	Ventas	Servicios
América del Norte	+1 866 984 3766	(800) 438-4851
India	1800 22 8374, +91 22 6716 2200	+91 22 6716 2200
China	+800 810 5118, +400 650 5118	+8621 68654588
Japón	+81 3 5826 1616	+81 3 3816 3355
Australia	+61 39757 4300	1 300 735 292
Austria	+43 1 801 40 0	+43 1 801 40 0
Bélgica	+32 53 73 42 41	+32 2 482 30 30
Francia	+33 2 2803 2180	+33 2 2803 2180
Alemania	0800 1 536 376, +49 6184 90 6000	0800 1 536 376
Italia	+32 02 95059 552	+39 02 95059 552, 432 254 375
Países Bajos	+31 76 579 55 55	+31 76 571 4440
Países Nórdicos/Báltico/Países de la CEI	+358 9 329 10200	+358 9 329 100
Rusia	+7 812 703 4215	+7 812 703 4215
España/Portugal	+34 93 223 09 18	+34 93 223 09 18
Suiza	+41 44 454 12 22	+41 44 454 12 12
RU/Irlanda	+44 870 609 9203	+44 870 609 9203
Nueva Zelanda	+64 9 980 6700	+64 9 980 6700
Otros estados asiáticos	+852 2885 4613	+852 2885 4613
Otros países	+49 6184 90 6000	+49 6184 90 6000

Distribuidor: Thermo Electron LED GmbH
Zweigniederlassung Osterode
Am Kalkberg, 37520 Osterode am Harz
Alemania

Fabricante: Heathrow Scientific
620 Lakeview Parkway, Vernon Hills
IL, 60061
EE. UU.

Más información en thermofisher.com/Centrifuge

© 2016–2020 Thermo Fisher Scientific Inc. Todos los derechos reservados. Todas las marcas comerciales son propiedad de Thermo Fisher Scientific y sus filiales, a menos que se especifique de otro modo. Heathrow Scientific es una marca registrada de Heathrow Scientific.

Todas las demás marcas son propiedad de Thermo Fisher Scientific Inc. y sus organizaciones asociadas. Las especificaciones, las condiciones y los precios no son vinculantes. No todos los productos están disponibles en todos los países. Para obtener más información, consulte a su representante local. Las imágenes mostradas en este manual solo son meras referencias. Los ajustes e idiomas que muestran pueden variar. El idioma original del manual de instrucciones es el 50145670 (Inglés).

ThermoFisher
SCIENTIFIC